

US00D599860S

(12) **United States Design Patent**
Lesley et al.

(10) **Patent No.:** **US D599,860 S**

(45) **Date of Patent:** **** Sep. 8, 2009**

(54) **GAMING MACHINE WITH RECESSED LOWER PANEL**

(75) Inventors: **Paul M. Lesley**, Blue Island, IL (US);
William C. Cesaroni, Glenview, IL (US);
Morad Ghassemian, Oak Park, IL (US);
Christian J. Kulujian, Chicago, IL (US)

(73) Assignee: **WMS Gaming Inc.**, Waukegan, IL (US)

(**) Term: **14 Years**

(21) Appl. No.: **29/327,701**

(22) Filed: **Nov. 11, 2008**

(51) **LOC (9) Cl.** **21-03**

(52) **U.S. Cl.** **D21/385**

(58) **Field of Classification Search** D14/304–307;
D21/324–329, 369–371, 385; 273/138.1;
463/13, 16–17, 20, 22, 46–47

See application file for complete search history.

(56) **References Cited**

U.S. PATENT DOCUMENTS

2,661,954 A	12/1953	Koci	463/57
D236,720 S	9/1975	Baker	D21/370
4,046,419 A	9/1977	Schmitt	297/153
D264,485 S	5/1982	Kitchen	D21/370
4,705,274 A	11/1987	Lubeck	273/148
4,840,343 A	6/1989	Gasser	248/500
4,960,117 A	10/1990	Moncrief et al.	463/46
D315,110 S	3/1991	Slater	D10/88
5,015,189 A	5/1991	Wenzinger et al.	434/63
5,083,738 A	1/1992	Infanti	248/500
5,102,192 A	4/1992	Barile	297/257
5,114,112 A	5/1992	Infanti	248/500
5,143,055 A	9/1992	Eakin	601/47
D333,164 S	2/1993	Kraft et al.	D21/325
5,195,746 A	3/1993	Boyd et al.	463/37
5,232,191 A	8/1993	Infanti	248/500
5,290,034 A	3/1994	Hineman	273/148
D351,869 S	10/1994	Rothschild et al.	D21/37
5,409,296 A	4/1995	Barlie	297/344.1

5,411,257 A	5/1995	Fulton	273/85
5,437,453 A	8/1995	Hineman	273/148
5,472,197 A	12/1995	Gwiasda et al.	273/143 R
5,522,641 A	6/1996	Infanti	297/344.13
5,542,748 A	8/1996	Barile	297/463.1
D376,391 S	12/1996	Okumura	D21/326
D380,014 S	6/1997	Yang	D21/370
5,669,818 A	9/1997	Thorner et al.	463/30
5,678,886 A	10/1997	Infanti	297/217.3
5,762,617 A	6/1998	Infanti	601/49

(Continued)

FOREIGN PATENT DOCUMENTS

EP 649 671 A1 4/1995

(Continued)

OTHER PUBLICATIONS

Product Sheet for “American Eagle”, Eagle Co. Ltd., 2 pages, (1997).

(Continued)

Primary Examiner—Sandra Morris

(74) *Attorney, Agent, or Firm*—Nixon Peabody LLP

(57) **CLAIM**

We claim the ornamental design for a “gaming machine with recessed lower panel,” as shown and described.

DESCRIPTION

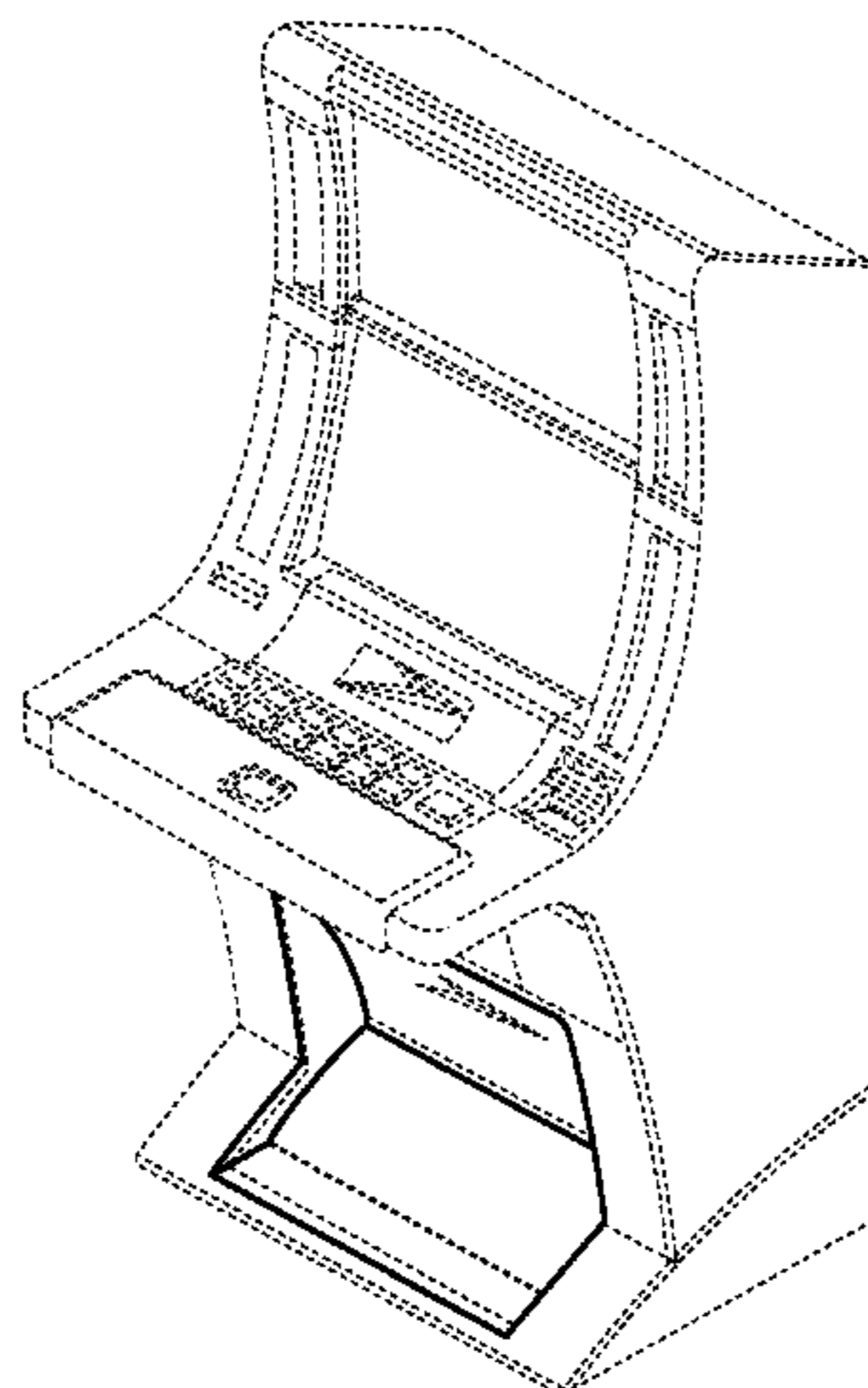
FIG. 1 is a top perspective view of a gaming machine with recessed lower panel showing our new design.

FIG. 2 is a front view of the gaming machine shown in FIG. 1; and,

FIG. 3 is a bottom perspective view of the gaming machine shown in FIG. 1.

The broken lines are only for illustrative purposes to show visible environmental structure and form no part of the claimed design.

1 Claim, 2 Drawing Sheets



US D599,860 S

Page 2

U.S. PATENT DOCUMENTS

5,791,731 A 8/1998 Infanti 297/217.3
 5,820,460 A 10/1998 Fulton 463/13
 D407,759 S 4/1999 Isetani et al. D21/326
 5,984,782 A 11/1999 Inoue 463/20
 D419,201 S 1/2000 De Haas D21/370
 D419,606 S 1/2000 Toriyama D21/325
 6,047,963 A 4/2000 Pierce et al. 273/143 R
 D424,122 S 5/2000 Dickenson et al. D21/325
 D428,062 S 7/2000 Hayashi D21/325
 6,089,663 A 7/2000 Hill 297/258.1
 6,102,394 A 8/2000 Wurz et al. 273/138.2
 6,117,010 A 9/2000 Canterbury 463/20
 6,129,355 A 10/2000 Hahn et al. 273/142 R
 6,135,562 A 10/2000 Infanti 297/440.2
 6,155,925 A 12/2000 Giobbi et al. 463/20
 6,159,098 A 12/2000 Slomiany et al. 463/25
 D439,931 S 4/2001 Yamaguchi D21/369
 6,210,279 B1 4/2001 Dickinson 463/37
 6,224,482 B1* 5/2001 Bennett 463/20
 6,227,614 B1 5/2001 Rubin 297/172
 6,227,970 B1 5/2001 Shimizu et al. 463/20
 D443,313 S 6/2001 Brettschneider D21/369
 D446,252 S 8/2001 Yamaguchi D21/325
 6,283,546 B1 9/2001 Hill 297/271.1
 6,290,229 B1 9/2001 Perez 273/148
 D450,094 S 11/2001 Hedrick et al. D21/369
 6,334,612 B1 1/2002 Wurz et al. 273/143 R
 6,354,660 B1 3/2002 Friedrich 297/217.1
 D459,402 S 6/2002 Wurz et al. D21/325
 6,422,670 B1 7/2002 Hedrick et al. 312/223.1
 6,422,941 B1 7/2002 Thorner et al. 463/30
 6,439,993 B1* 8/2002 O'Halloran 463/16
 D463,504 S 9/2002 Stephen D21/325
 D464,377 S 10/2002 Wurz et al. D21/325
 D466,160 S 11/2002 Hirato et al. D21/325
 D467,977 S 12/2002 Gatto et al. D21/326
 D468,364 S 1/2003 Beadell et al. D21/325
 6,530,842 B1 3/2003 Wells et al. 463/46
 6,530,872 B2 3/2003 Freshland et al. 494/49
 6,572,187 B2 6/2003 Laufer 297/217.1
 6,589,114 B2 7/2003 Rose 463/20

6,609,972 B2 8/2003 Seelig 463/20
 6,616,142 B2 9/2003 Adams 273/292
 D483,075 S 12/2003 Kang D21/326
 6,715,756 B2 4/2004 Inoue 273/138
 D492,363 S* 6/2004 Seelig et al. D21/370
 D492,364 S* 6/2004 Seelig et al. D21/370
 D493,843 S 8/2004 Jackson et al. D21/327
 D493,846 S* 8/2004 Seelig et al. D21/370
 D495,754 S 9/2004 Wurz et al. D21/370
 D495,755 S 9/2004 Wurz et al. D21/370
 D500,098 S 12/2004 Doi D21/477
 6,880,825 B2* 4/2005 Seelig et al. 463/46
 D508,268 S 8/2005 Hanchar et al. D21/369
 D508,269 S 8/2005 Wichinsky D21/369
 D509,254 S 9/2005 Rasmussen et al. D21/369
 D512,105 S 11/2005 Chitrapongse et al. D21/370
 7,184,277 B2 2/2007 Beirne 361/807
 D539,854 S 4/2007 Luciano et al. D21/369
 2002/0041069 A1 4/2002 Steelman 273/138.1
 2003/0122973 A1 7/2003 Huang 348/836
 2005/0014547 A1 1/2005 Gomez et al. 463/16
 2006/0183553 A1* 8/2006 Kiriya et al. 463/46
 2006/0281559 A1* 12/2006 Luciano 463/46

FOREIGN PATENT DOCUMENTS

JP 03210172 B2 2/1993

OTHER PUBLICATIONS

Product Sheet for "Monopoly Chairman of the Board™", WMS Gaming Inc. 2 pages (1999).
 Product Sheet for "American Eagle", Eagle Co., Ltd., 2 pages (2000).
 Product Sheet for "Survivor", WMS Gaming Inc., 4 pages, (2001).
 Product Sheet for "ProSLOT®6000", Bally Gaming Systems, 4 pages, (2002).
 Product Sheet for "EVO™ Hybrid", Bally Gaming Systems, 4 pages, (2002).
 Product Sheet for "3RV™", WMS Gaming Inc., 2 pages, (2002 or earlier).
 Product Sheet for "Miss America", AC Coin & Slot, 2 pages (2002 or earlier).

* cited by examiner

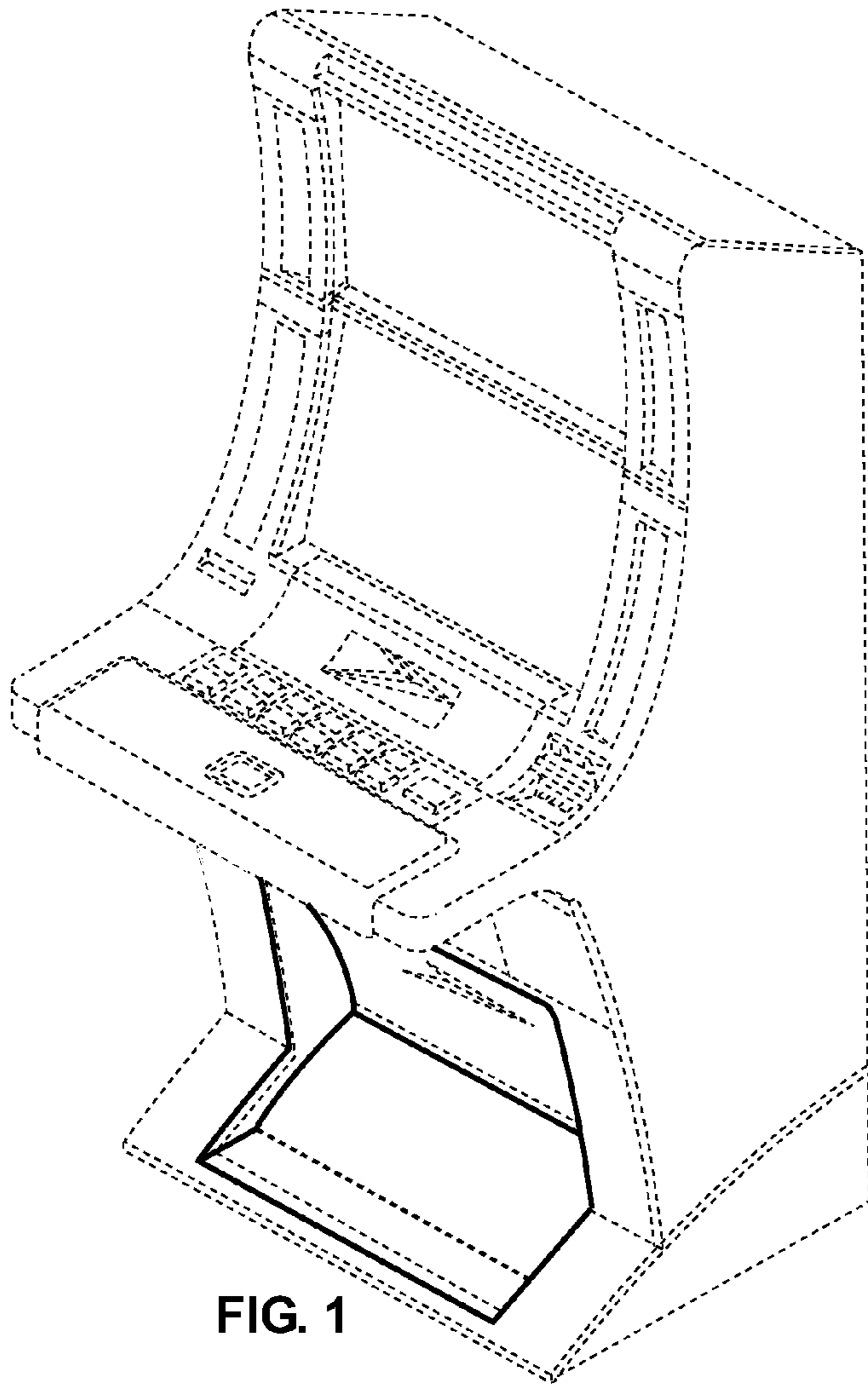


FIG. 1

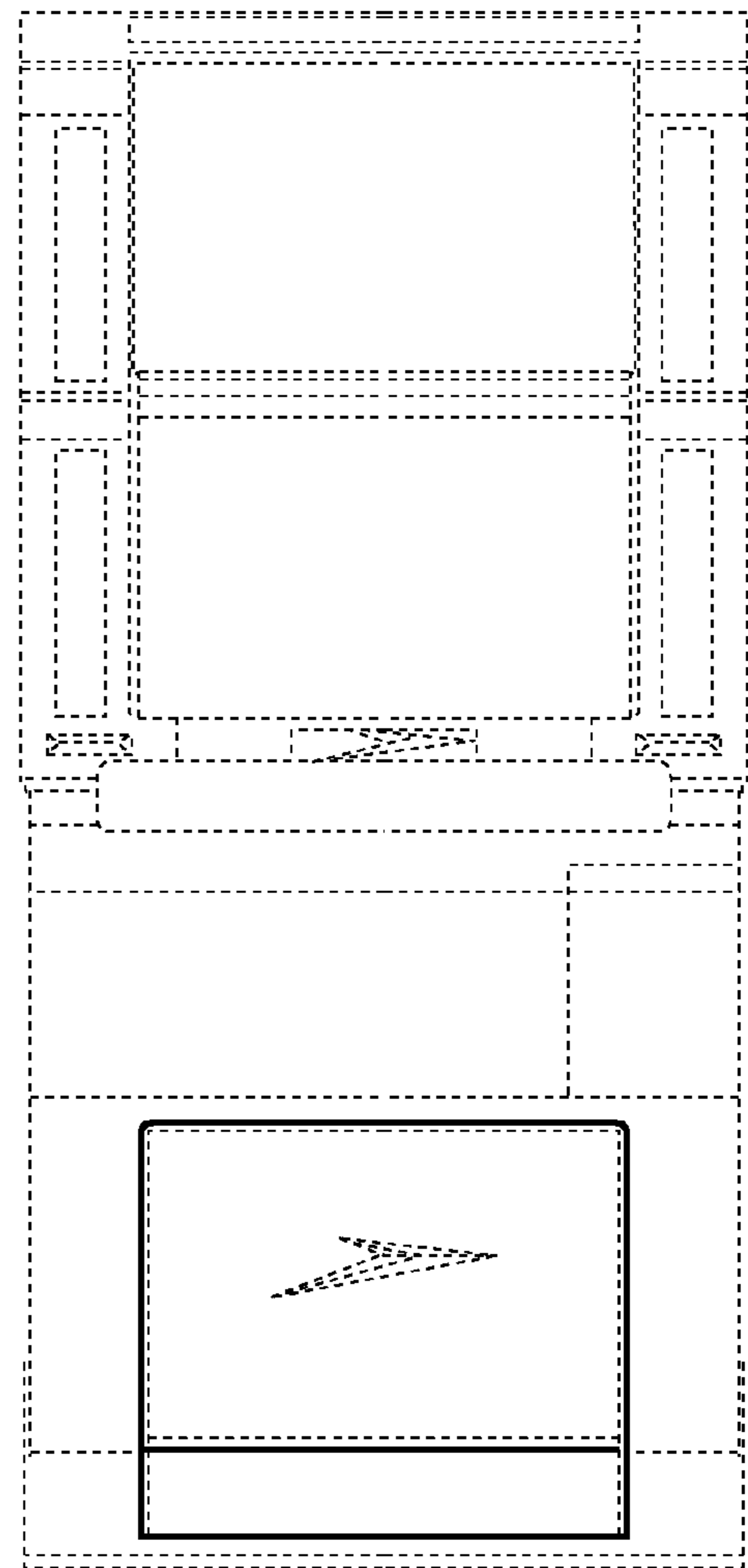


FIG. 2

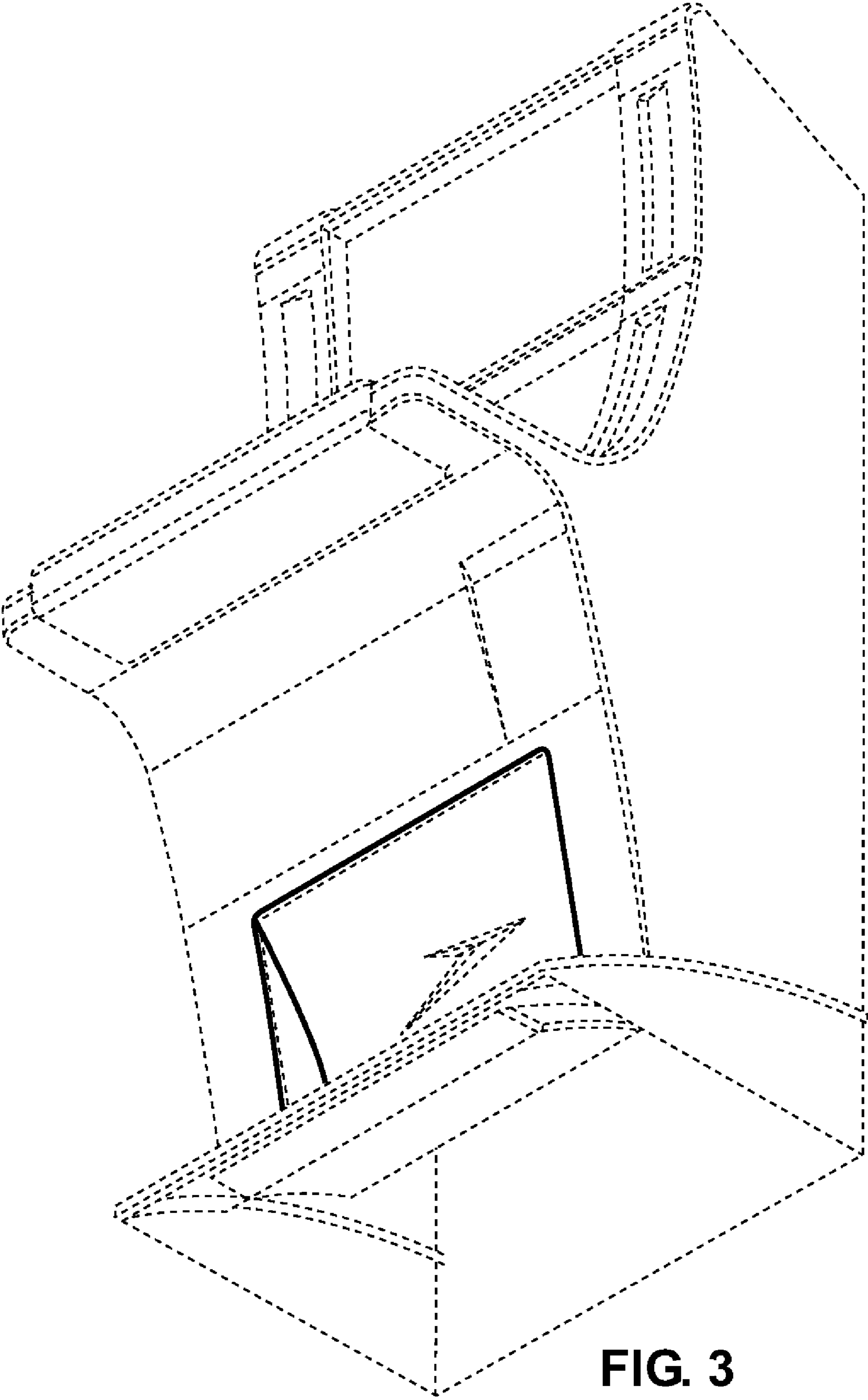


FIG. 3