

US00D599858S

(12) **United States Design Patent**
Lesley et al.

(10) **Patent No.:** **US D599,858 S**

(45) **Date of Patent:** **** Sep. 8, 2009**

(54) **GAMING MACHINE**

(75) Inventors: **Paul M. Lesley**, Blue Island, IL (US);
William C. Cesaroni, Glenview, IL
(US); **Morad Ghassemian**, Oak Park, IL
(US); **Christian J. Kulujian**, Chicago,
IL (US)

5,437,453 A 8/1995 Hineman 273/148
5,472,197 A 12/1995 Gwiasda et al. 273/143 R
5,522,641 A 6/1996 Infanti 297/344.13
5,542,748 A 8/1996 Barlie 297/463.1
D376,391 S 12/1996 Okumura D21/326
D380,014 S 6/1997 Yang D21/370
5,669,818 A 9/1997 Thorner et al. 463/30
5,678,886 A 10/1997 Infanti 297/217.3

(73) Assignee: **WMS Gaming Inc.**, Waukegan, IL (US)

(Continued)

(**) Term: **14 Years**

FOREIGN PATENT DOCUMENTS

(21) Appl. No.: **29/327,697**

EP 649 671 A1 4/1995

(22) Filed: **Nov. 11, 2008**

(Continued)

(51) **LOC (9) Cl.** **21-03**

OTHER PUBLICATIONS

(52) **U.S. Cl.** **D21/370**

Product Sheet for "American Eagle", Eagle Co. Ltd., 2 pages, (1997).

(58) **Field of Classification Search** D14/304-307;
D21/324-329, 369-371, 385; 273/138.1;
463/13, 16-17, 20, 22, 46-47

(Continued)

See application file for complete search history.

Primary Examiner—Sandra Morris

(74) *Attorney, Agent, or Firm*—Nixon Peabody LLP

(56) **References Cited**

(57) **CLAIM**

U.S. PATENT DOCUMENTS

2,661,954 A 12/1953 Koci 463/57
D236,720 S 9/1975 Baker D21/370
4,046,419 A 9/1977 Schmitt 297/153
D264,485 S 5/1982 Kitchen D21/370
4,705,274 A 11/1987 Lubeck 273/148
4,840,343 A 6/1989 Gasser 248/500
4,960,117 A 10/1990 Moncrief et al. 463/46
D315,110 S 3/1991 Slater D10/88
5,015,189 A 5/1991 Wenzinger et al. 434/63
5,083,738 A 1/1992 Infanti 248/500
5,102,192 A 4/1992 Barlie 297/257
5,114,112 A 5/1992 Infanti 248/500
5,143,055 A 9/1992 Eakin 601/47
D333,164 S 2/1993 Kraft et al. D21/325
5,195,746 A 3/1993 Boyd et al. 463/37
5,232,191 A 8/1993 Infanti 248/500
5,290,034 A 3/1994 Hineman 273/148
D351,869 S 10/1994 Rothschild et al. D21/37
5,409,296 A 4/1995 Barlie 297/344.1
5,411,257 A 5/1995 Fulton 273/85

We claim the ornamental design for a "gaming machine," as shown and described.

DESCRIPTION

FIG. 1 is a perspective view of a gaming machine showing our new design.

FIG. 2 is a front view of the gaming machine shown in FIG. 1.

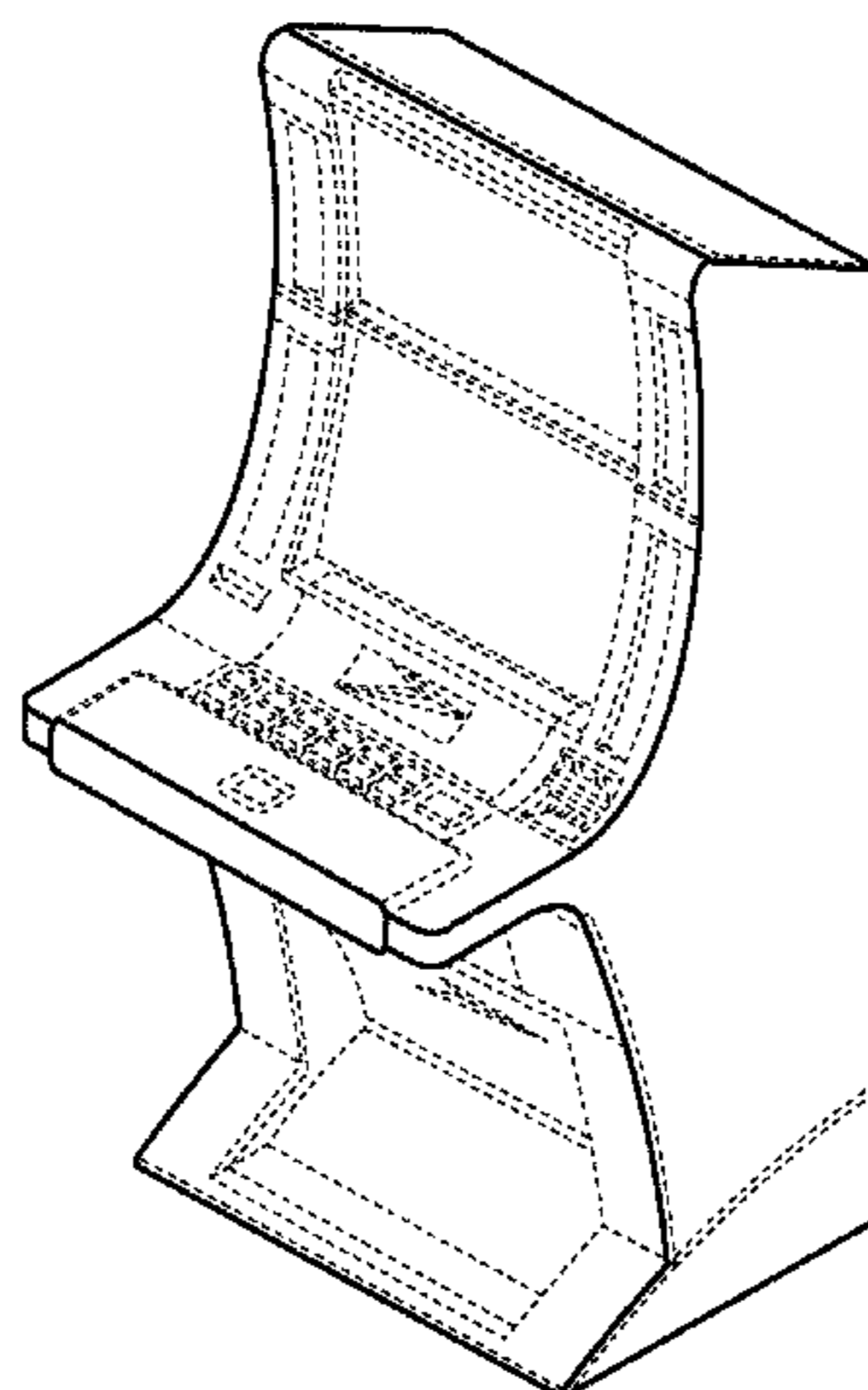
FIG. 3 is a left-side view of the gaming machine shown in FIG. 1.

FIG. 4 is a right-side view of the gaming machine shown in FIG. 1; and,

FIG. 5 is a top view of the gaming machine shown in FIG. 1.

The broken lines are only for illustrative purposes to show visible environmental structure and form no part of the claimed design.

1 Claim, 2 Drawing Sheets



US D599,858 S

Page 2

U.S. PATENT DOCUMENTS

5,762,617	A	6/1998	Infanti	601/49
5,791,731	A	8/1998	Infanti	297/217.3
5,820,460	A	10/1998	Fulton	463/13
D407,759	S	4/1999	Isetani et al.	D21/326
5,984,782	A	11/1999	Inoue	463/20
D419,201	S	1/2000	De Haas	D21/370
D419,606	S	1/2000	Toriyama	D21/325
6,047,963	A	4/2000	Pierce et al.	273/143 R
D424,122	S	5/2000	Dickenson et al.	D21/325
D428,062	S	7/2000	Hayashi	D21/325
6,089,663	A	7/2000	Hill	297/258.1
6,102,394	A	8/2000	Wurz et al.	273/138.2
6,117,010	A	9/2000	Cantebury	463/20
6,129,355	A	10/2000	Hahn et al.	273/142 R
6,135,562	A	10/2000	Infanti	297/440.2
6,155,925	A	12/2000	Giobbi et al.	463/20
6,159,098	A	12/2000	Slomiany et al.	463/25
D439,931	S	4/2001	Yamaguchi	D21/369
6,210,279	B1	4/2001	Dickinson	463/37
6,227,614	B1	5/2001	Rubin	297/172
6,227,970	B1	5/2001	Shimizu et al.	463/20
D443,313	S	6/2001	Brettschneider	D21/369
D446,252	S	8/2001	Yamaguchi	D21/325
6,283,546	B1	9/2001	Hill	297/271.1
6,290,229	B1	9/2001	Perez	273/148
D450,094	S	11/2001	Hedrick et al.	D21/369
6,334,612	B1	1/2002	Wurz et al.	273/143 R
6,354,660	B1	3/2002	Friedrich	297/217.1
D459,402	S	6/2002	Wurz et al.	D21/325
6,422,670	B1	7/2002	Hedrick et al.	312/223.1
6,422,941	B1	7/2002	Thorner et al.	463/30
D463,504	S	9/2002	Stephen	D21/325
D464,377	S	10/2002	Wurz et al.	D21/325
D466,160	S	11/2002	Hirato et al.	D21/325
D467,977	S	12/2002	Gatto et al.	D21/326
D468,364	S	1/2003	Beadell et al.	D21/325
6,530,842	B1	3/2003	Wells et al.	463/46
6,530,872	B2	3/2003	Freshland et al.	494/49

6,572,187	B2	6/2003	Laufer	297/217.1
6,589,114	B2	7/2003	Rose	463/20
6,609,972	B2	8/2003	Seelig	463/20
6,616,142	B2	9/2003	Adams	273/292
D483,075	S	12/2003	Kang	D21/326
6,715,756	B2	4/2004	Inoue	273/138
D493,843	S	8/2004	Jackson et al.	D21/327
D495,754	S	9/2004	Wurz et al.	D21/370
D495,755	S	9/2004	Wurz et al.	D21/370
D500,098	S	12/2004	Doi	D21/477
D508,268	S	8/2005	Hanchar et al.	D21/369
D508,269	S	8/2005	Wichinsky	D21/369
D509,254	S	9/2005	Rasmussen et al.	D21/369
D512,105	S	11/2005	Chitrapongse et al.	D21/370
D531,677	S *	11/2006	Mallory et al.	D21/369
7,184,277	B2	2/2007	Beirne	361/807
D539,854	S	4/2007	Luciano et al.	D21/369
D578,168	S *	10/2008	Looks et al.	D21/369
2002/0041069	A1	4/2002	Steelman	273/138.1
2003/0122973	A1	7/2003	Huang	348/836
2005/0014547	A1	1/2005	Gomez et al.	463/16

FOREIGN PATENT DOCUMENTS

JP 03210172 B2 2/1993

OTHER PUBLICATIONS

Product Sheet for "Monopoly Chairman of the Board™", WMS Gaming Inc. 2 pages (1999).
 Product Sheet for "American Eagle", Eagle Co., Ltd., 2 pages (2000).
 Product Sheet for "Survivor", WMS Gaming Inc., 4 pages, (2001).
 Product Sheet for "ProSLOT® 6000", Bally Gaming Systems, 4 pages, (2002).
 Product Sheet for "EVO™ Hybrid", Bally Gaming Systems, 4 pages, (2002).
 Product Sheet for "3RV™", WMS Gaming Inc., 2 pages, (2002 or earlier).
 Product Sheet for "Miss America", AC Coin & Slot, 2 pages (2002 or earlier).

* cited by examiner

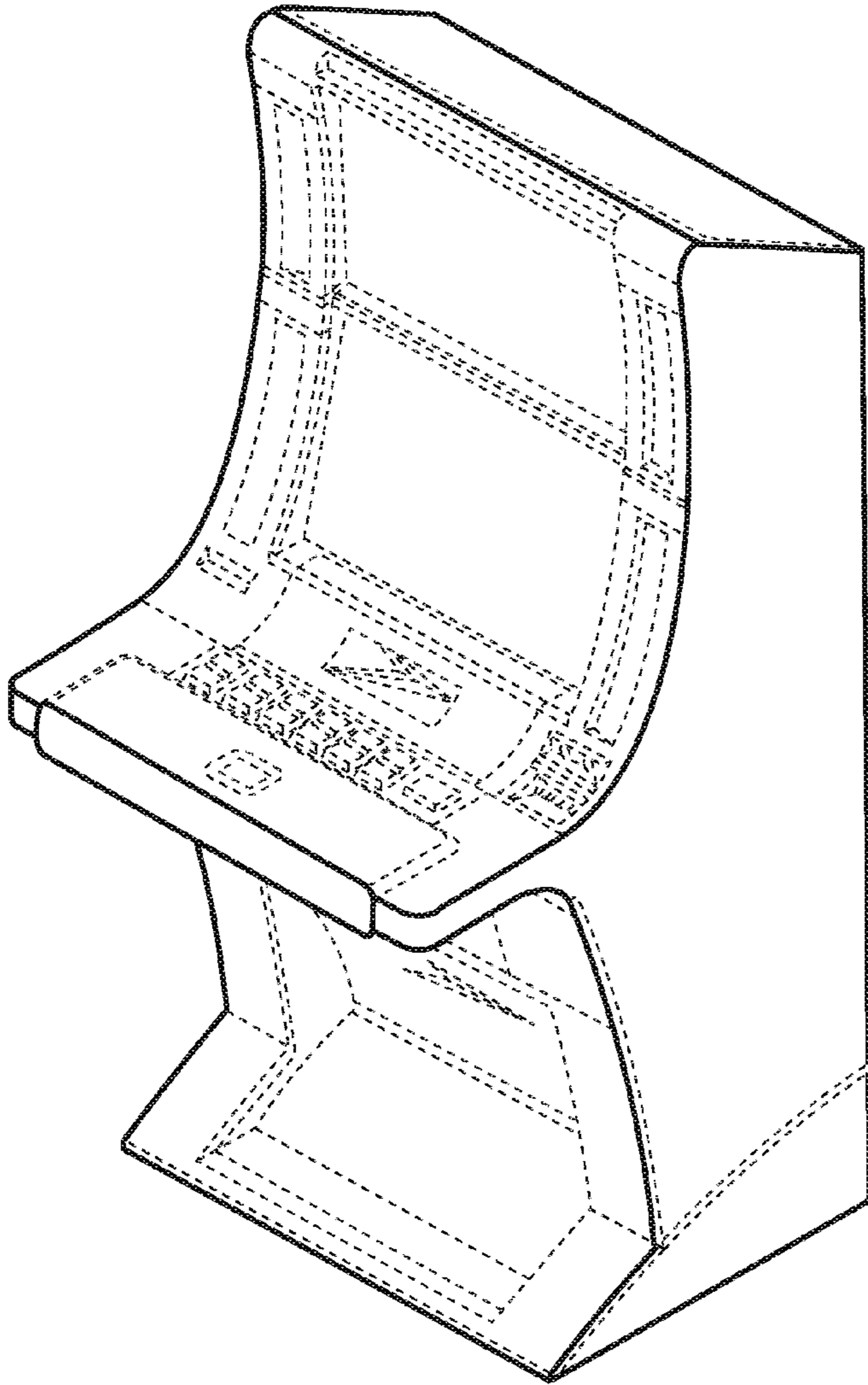


FIG. 1

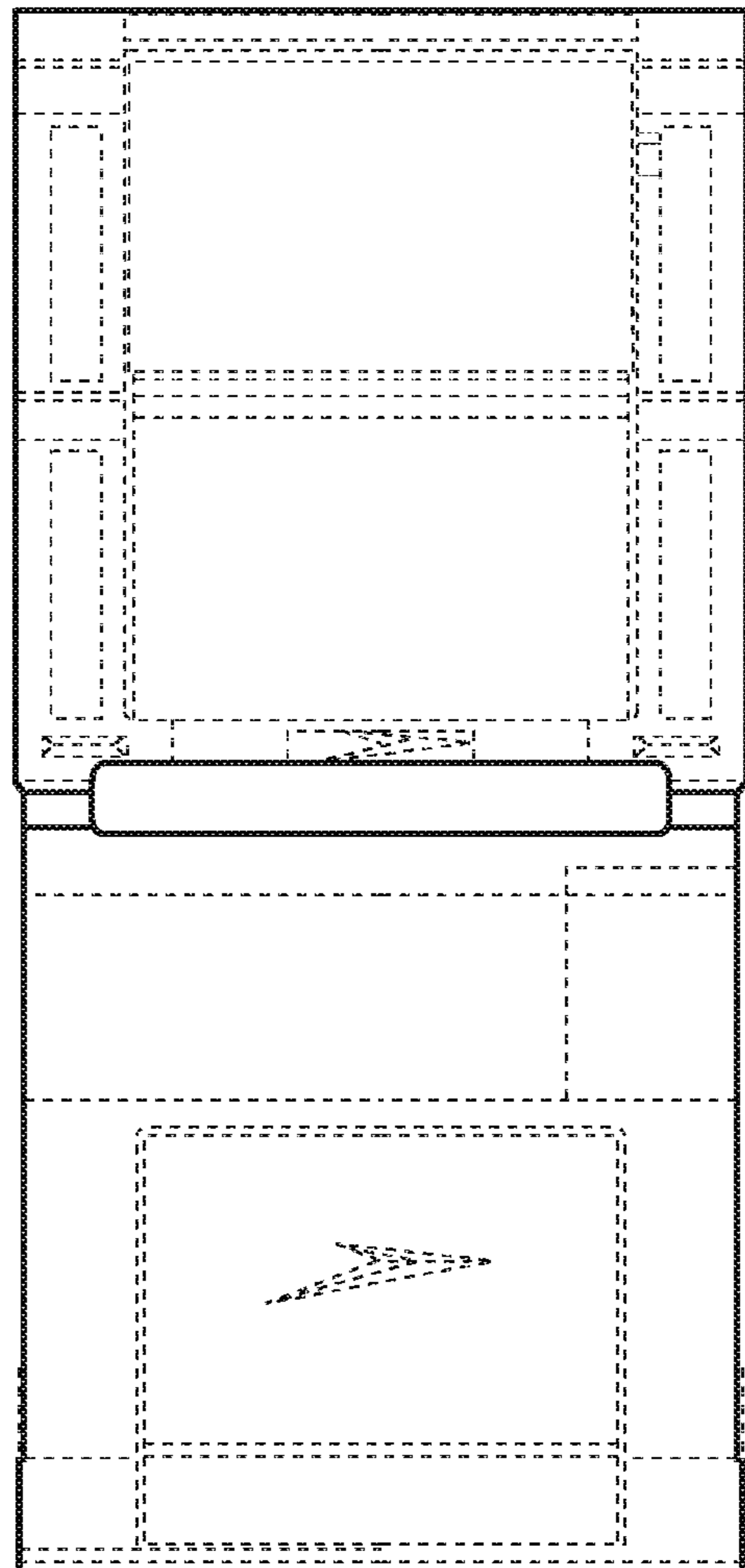


FIG. 2

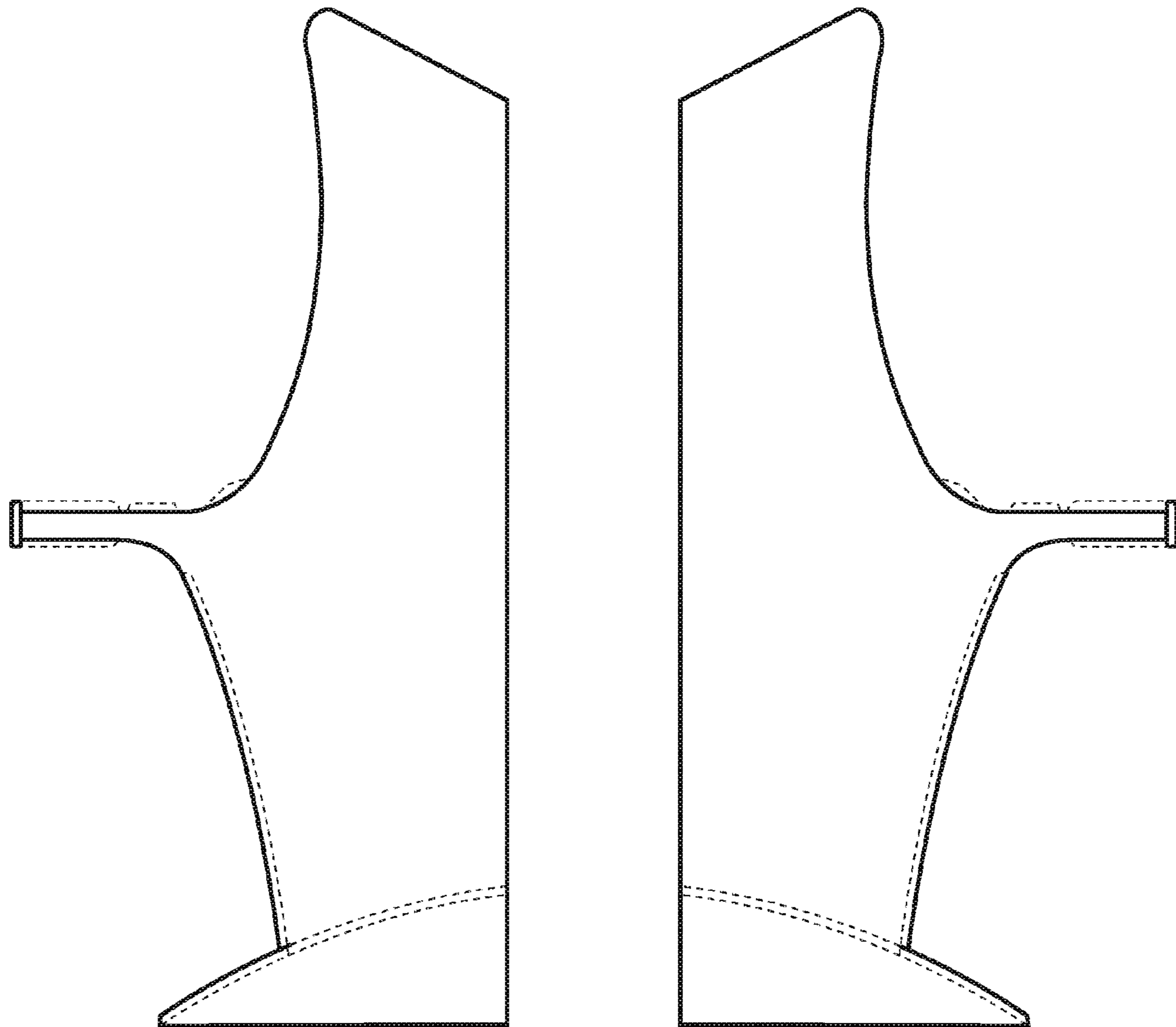


FIG. 3

FIG. 4

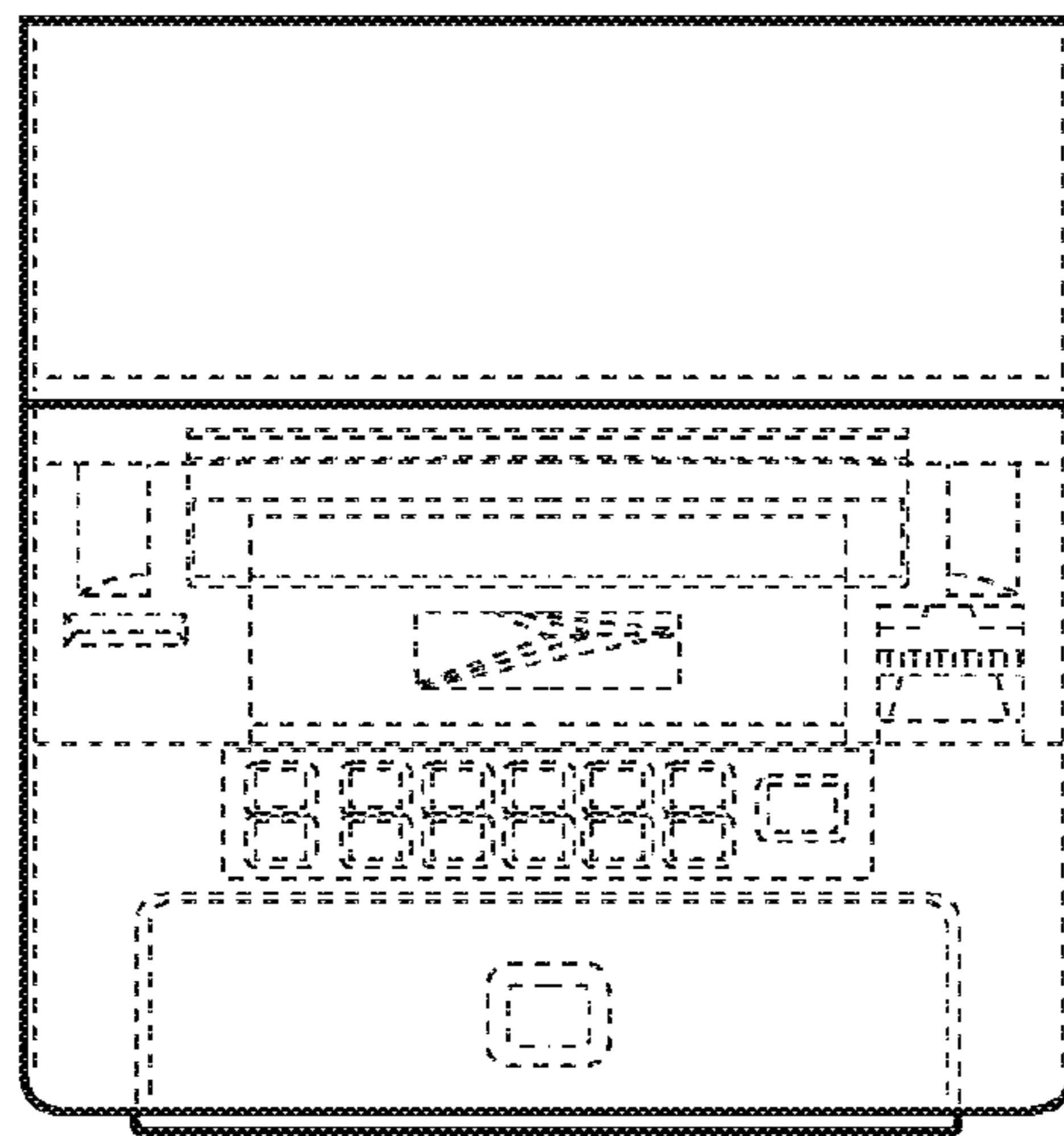


FIG. 5