



US00D599853S

(12) **United States Design Patent**
van der Lande

(10) **Patent No.:** **US D599,853 S**

(45) **Date of Patent:** **** Sep. 8, 2009**

(54) **LED COW PEN**

2004/0161289 A1* 8/2004 Silberman 401/195
2007/0237565 A1* 10/2007 Coleman et al. 401/52

(75) Inventor: **Jan van der Lande**, New York, NY (US)

FOREIGN PATENT DOCUMENTS

(73) Assignee: **Kikkerland Design, Inc**, New York, NY (US)

EM 000960620-0001 * 6/2008
EM 015000369-0001 * 3/2009

(**) Term: **14 Years**

OTHER PUBLICATIONS

(21) Appl. No.: **29/314,361**

Whimsical Ballpoint Writing Pen, www.betterbarnyard.com, pp. 2 and 3 of 4 pages, copyright 1999, printed May 22, 2009.*

(22) Filed: **Mar. 24, 2009**

* cited by examiner

(51) **LOC (9) Cl.** **19-06**

Primary Examiner—Elizabeth A Albert

(52) **U.S. Cl.** **D19/42**

(74) *Attorney, Agent, or Firm*—Cascio Schmoyer & Zervas

(58) **Field of Classification Search** D19/35,
D19/36, 41–51, 53–57; 24/11 F, 11 P, 11 R;
401/52, 99, 100, 104–109, 192, 195, 196;
D26/47

(57) **CLAIM**

See application file for complete search history.

The ornamental design for a LED cow pen, as shown and described.

(56) **References Cited**

DESCRIPTION

U.S. PATENT DOCUMENTS

FIG. 1 is a front elevational view of the LED cow pen showing my design;

D163,779	S	*	6/1951	Ulvad	D19/42
2,896,577	A	*	7/1959	Merryman et al.	401/112
D222,306	S	*	10/1971	Roslyn	D19/42
3,985,455	A	*	10/1976	Wahlberg	401/30
D384,103	S	*	9/1997	Chuang	D19/42
5,735,592	A	*	4/1998	Shu	362/118
D422,310	S	*	4/2000	Cohen	D19/46
D437,885	S	*	2/2001	Cohen	D19/36
D450,098	S	*	11/2001	Chu	D21/585
D451,548	S	*	12/2001	Banasik	D19/51
7,084,389	B2	*	8/2006	Spector	250/227.13
7,086,797	B1	*	8/2006	Huang	401/195
D573,341	S	*	7/2008	van der Lande	D3/209
D590,881	S	*	4/2009	Slemp	D19/51

FIG. 2 is a rear elevational view thereof;

FIG. 3 is a left side elevational view thereof,

FIG. 4 is a right side elevational view thereof;

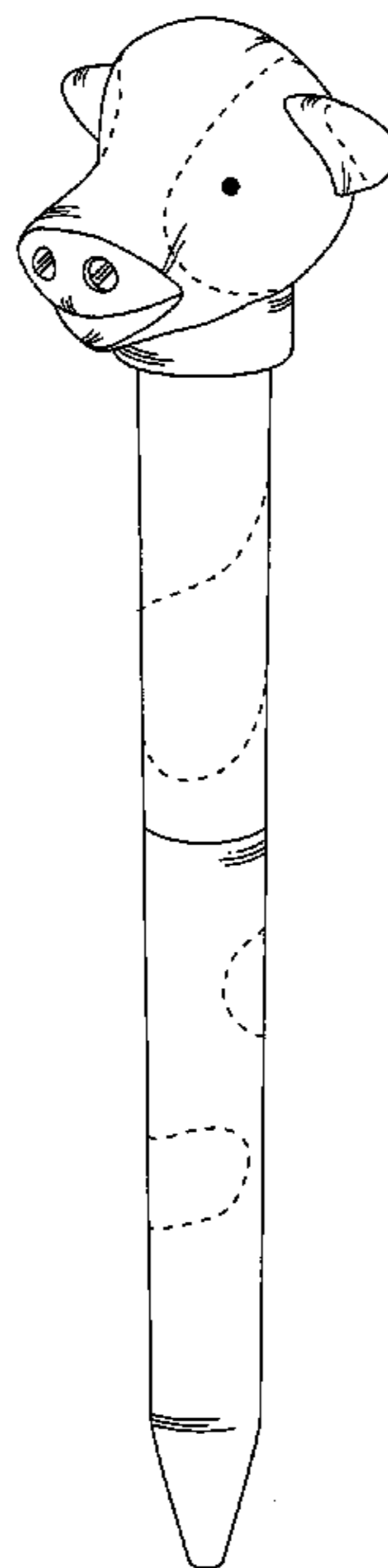
FIG. 5 is a bottom plan view thereof;

FIG. 6 is a top plan view thereof; and,

FIG. 7 is a front perspective view thereof.

The broken lines showing the colorations on the cow and pen are for illustrative purposes and form no part of the claimed design.

1 Claim, 3 Drawing Sheets



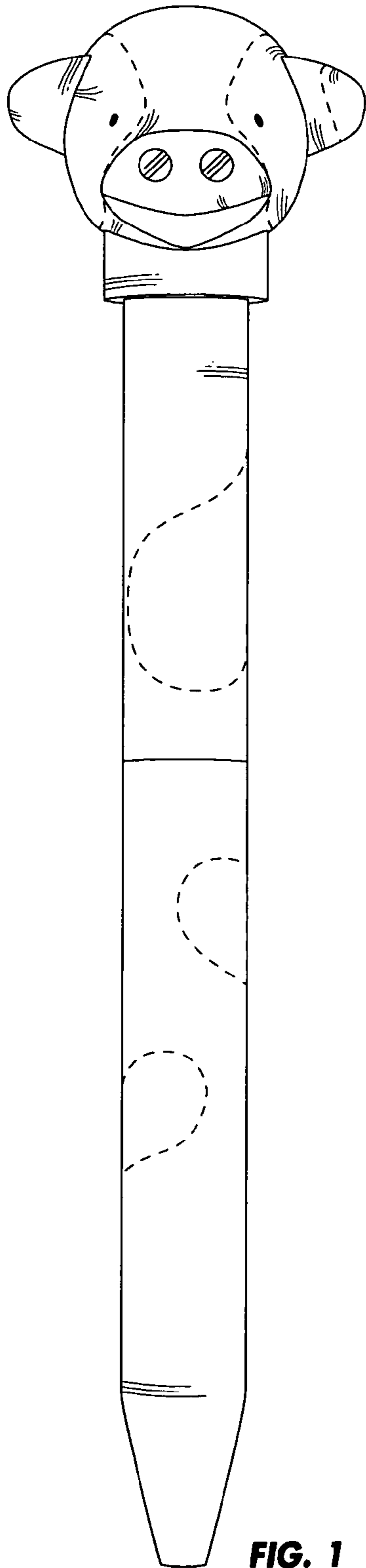


FIG. 1

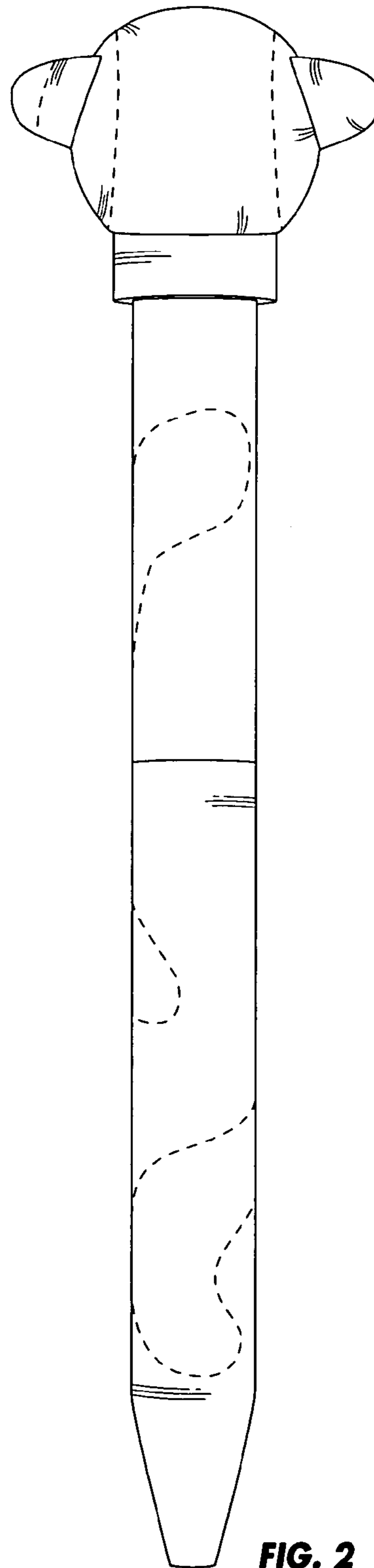


FIG. 2

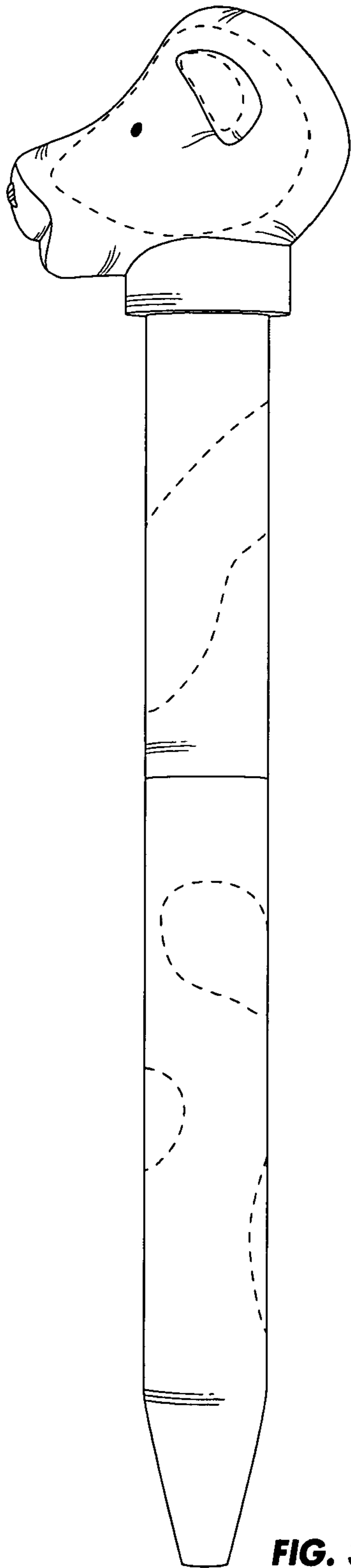


FIG. 3

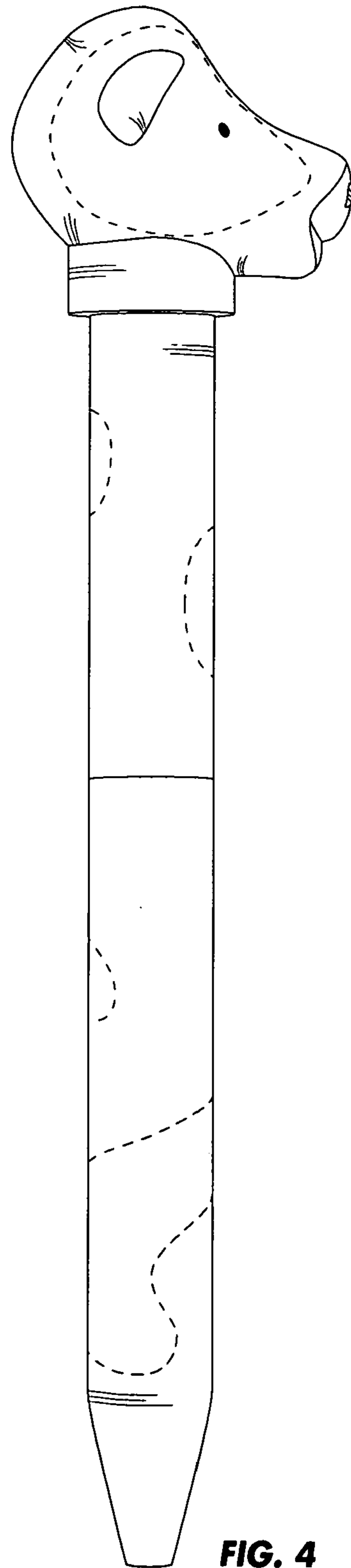


FIG. 4

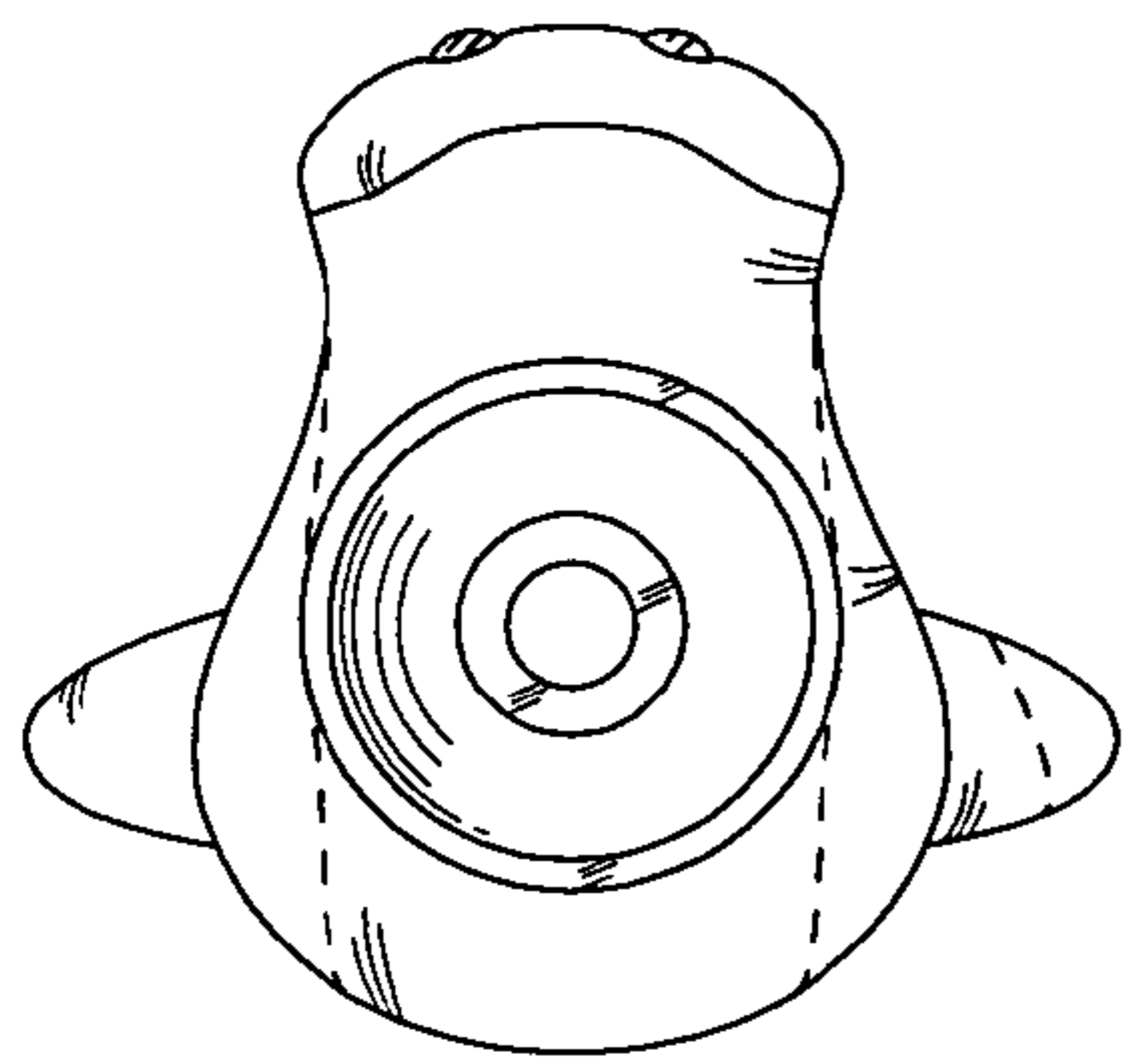


FIG. 5

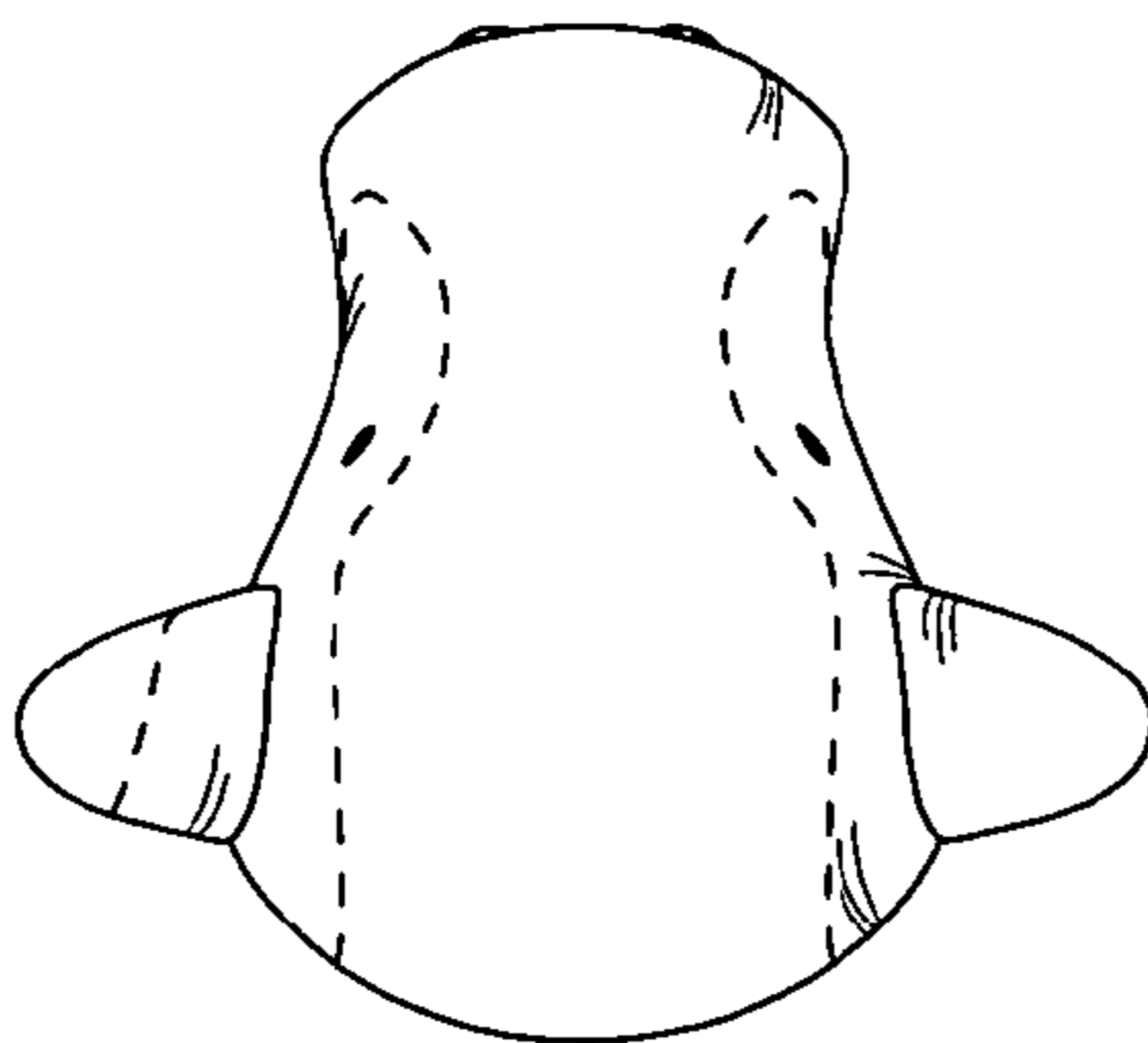


FIG. 6

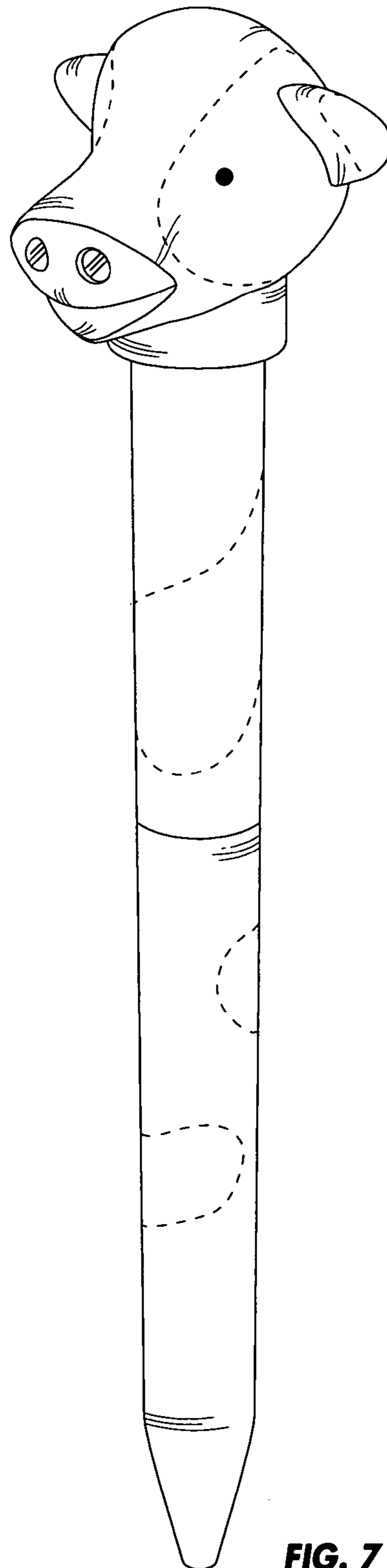


FIG. 7