



US00D599851S

(12) **United States Design Patent**
Savoy

(10) **Patent No.:** **US D599,851 S**
(45) **Date of Patent:** **** Sep. 8, 2009**

- (54) **PLANNER BOOKLET**
- (75) Inventor: **Harolde M. Savoy**, Dallas, TX (US)
- (73) Assignee: **Les Entreprises Dominion Blueline Inc.**, Saint-Jean-sur-Richelieu (CA)
- (**) Term: **14 Years**
- (21) Appl. No.: **29/328,400**
- (22) Filed: **Nov. 24, 2008**

D549,283 S	8/2007	Bharma	
D550,770 S *	9/2007	Bharma D19/26
D557,739 S	12/2007	Bharma	
D573,637 S	7/2008	Bharma	
D579,975 S *	11/2008	Brown D19/26
D583,863 S	12/2008	Savoy	
D591,343 S *	4/2009	Hussy et al. D19/27
2002/0074791 A1	6/2002	Wien et al.	
2003/0209903 A1	11/2003	Morris	
2007/0120356 A1	5/2007	Savoy	

Related U.S. Application Data

- (63) Continuation of application No. 29/322,774, filed on Aug. 12, 2008, now Pat. No. Des. 583,863, which is a continuation of application No. 11/606,207, filed on Nov. 30, 2006, now abandoned.
 - (51) **LOC (9) Cl.** **19-04**
 - (52) **U.S. Cl.** **D19/26**
 - (58) **Field of Classification Search** D6/626, D6/632, 407; D3/303, 301; D19/27, 26, D19/90, 30, 31; D9/423; 402/73; 281/37, 281/31, 4, 29, 2
- See application file for complete search history.

References Cited

U.S. PATENT DOCUMENTS

2,865,659 A	12/1958	Zimmermann
3,620,552 A	11/1971	Woodcock et al.
D257,264 S	10/1980	Savatteri
D304,343 S	10/1989	Popat et al.
D308,225 S	5/1990	Dressler
4,971,361 A	11/1990	Whiting
5,104,146 A	4/1992	Schulz et al.
D377,946 S	2/1997	French et al.
D413,725 S	9/1999	Hartmann et al.
6,024,508 A	2/2000	Lippeth et al.
6,089,607 A	7/2000	Kenney et al.
D449,927 S	11/2001	Dorizas
D455,781 S	4/2002	Jobelius et al.
D477,634 S	7/2003	Malone
D523,078 S	6/2006	Ong

FOREIGN PATENT DOCUMENTS

EP 0567714 A1 4/1992

OTHER PUBLICATIONS

Kyle R. Grabowski, "Office Action," mailed Oct. 15, 2007, 11 pgs., issued in U.S. Appl. No. 11/606,207, U.S. Patent and Trademark Office.

Kyle R. Grabowski, "Office Action," mailed May 12, 2008, 10 pgs., issued in U.S. Appl. No. 11/606,207, U.S. Patent and Trademark Office.

Murphy, Austin, "Notice of Allowance and Fee(s) Due," mailed Oct. 3, 2008; 10 pages; issued in U.S. Appl. No. 29/322,774, U.S. Patent and Trademark Office.

U.S. Appl. No. 60/740,666, filed Nov. 30, 2005, Savoy.

U.S. Appl. No. 29/328,393, filed Nov. 24, 2008, Savoy.

* cited by examiner

Primary Examiner—Cathron C Brooks
Assistant Examiner—Austin Murphy
 (74) *Attorney, Agent, or Firm*—Haynes and Boone, LLP

(57) **CLAIM**

The ornamental design for a planner booklet, as shown and described.

DESCRIPTION

FIG. 1 is a perspective view of the planner booklet showing my new design;

FIG. 2 is a front elevational view thereof;

FIG. 3. is a rear elevational view thereof;

FIG. 4 is a top plan view thereof;

FIG. 5 is a bottom plan view thereof;

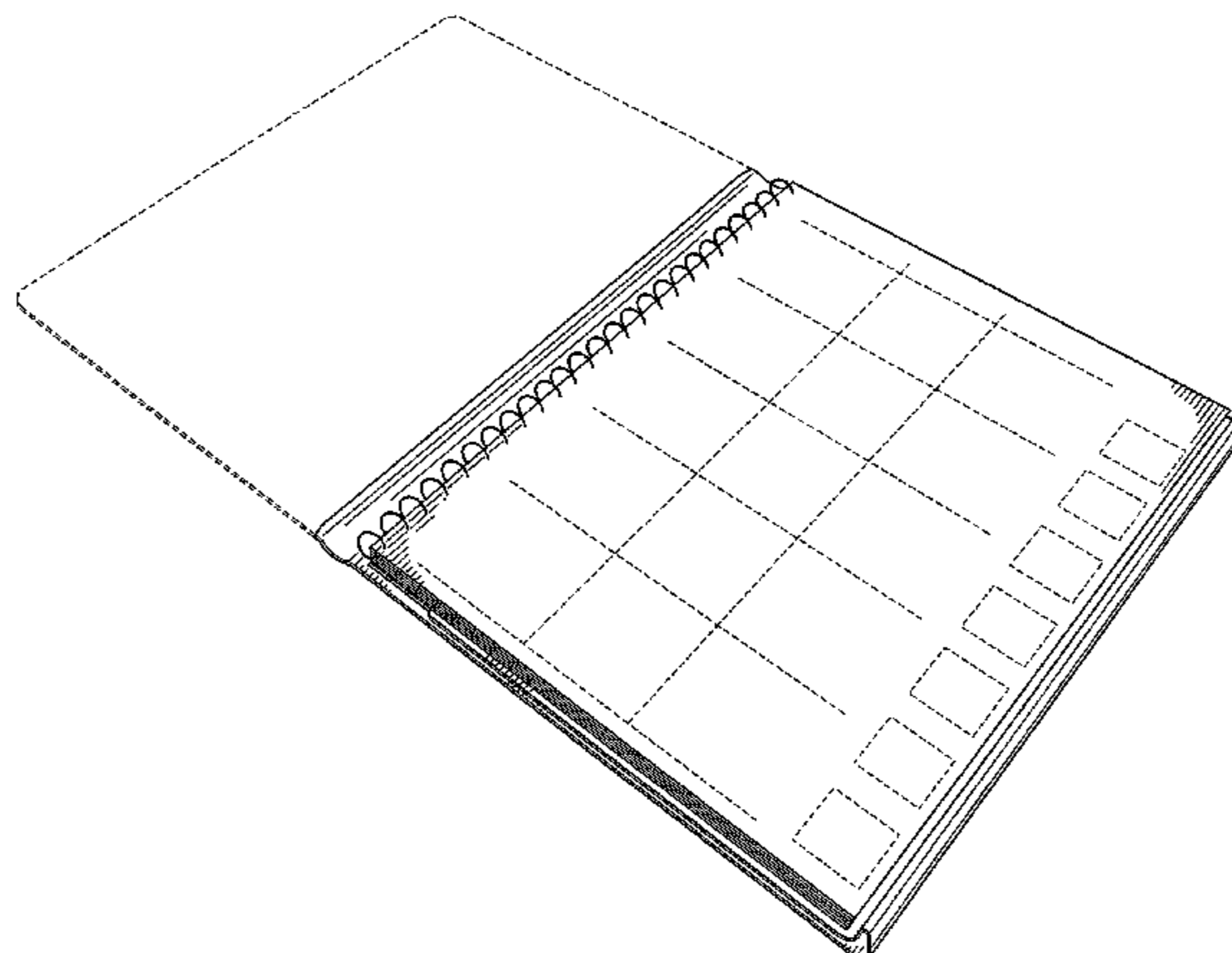


FIG. 6 is a right side elevational view thereof;
FIG. 7 is a left side elevational view thereof; and,
FIGS. 8, 9, 10 and 11 are additional perspective views thereof showing the planner booklet in different configurations.
The broken lines shown in the drawings depict unclaimed portions of the planner booklet and form no part of the claimed design.

1 Claim, 8 Drawing Sheets

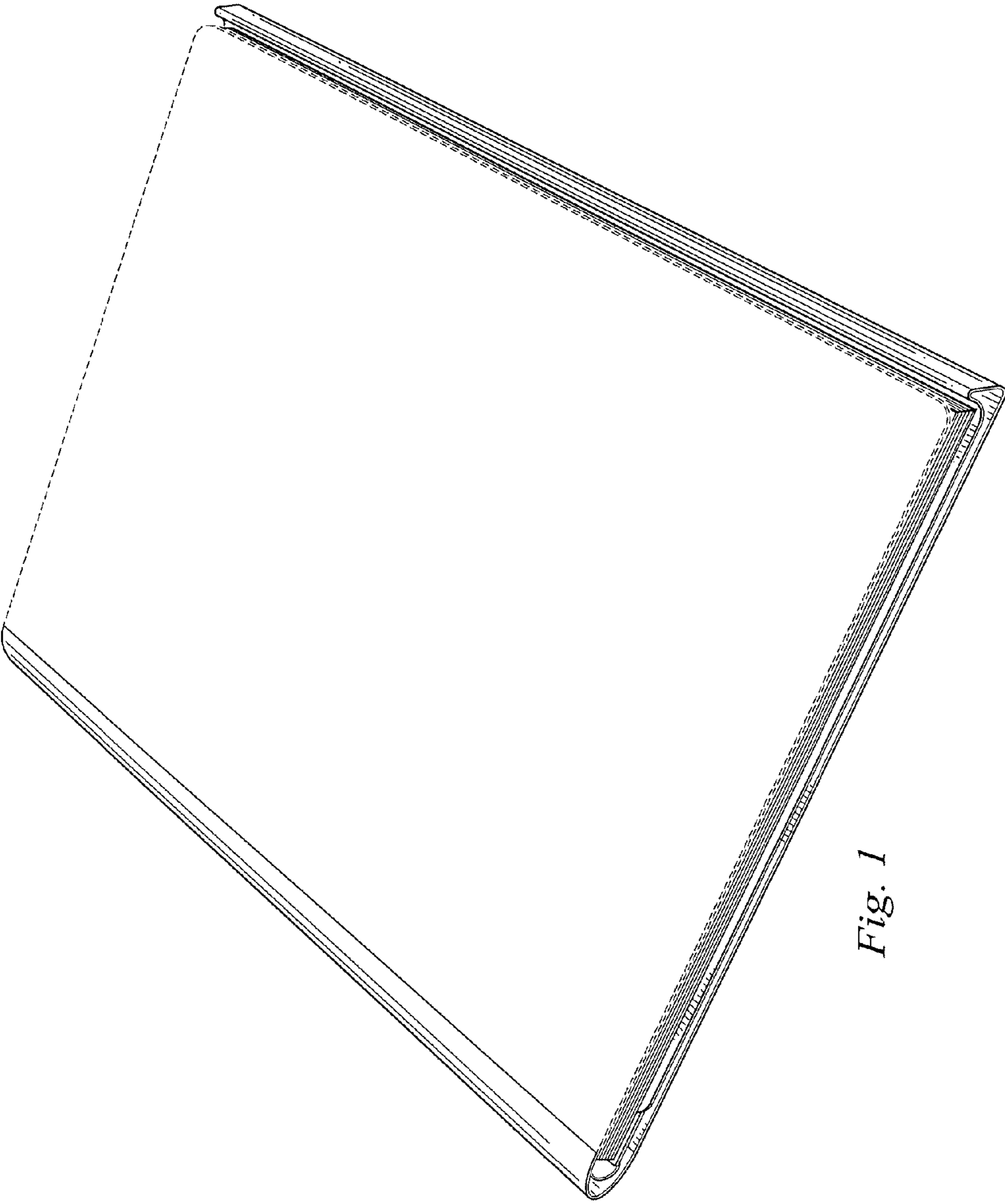


Fig. 1

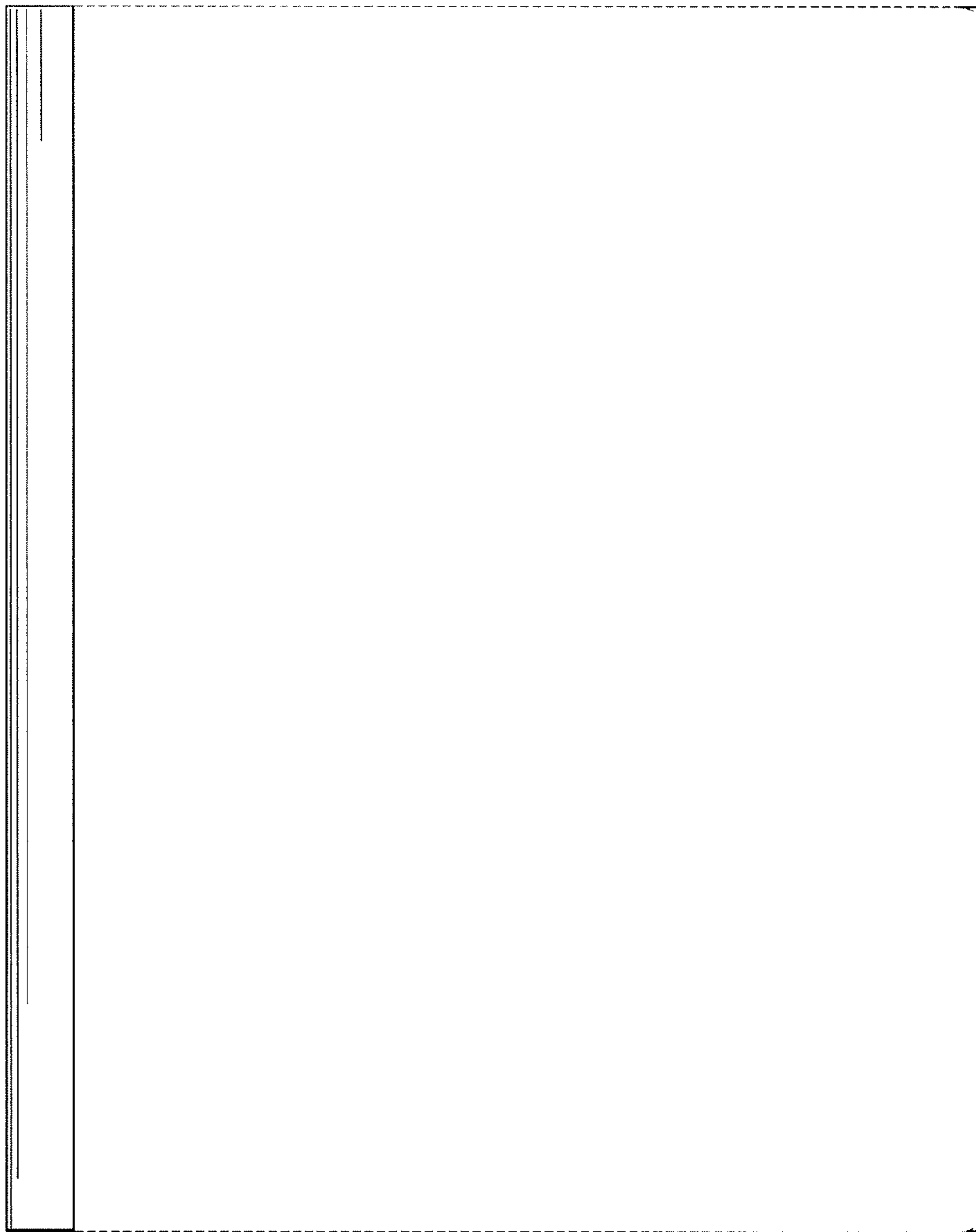


Fig. 2

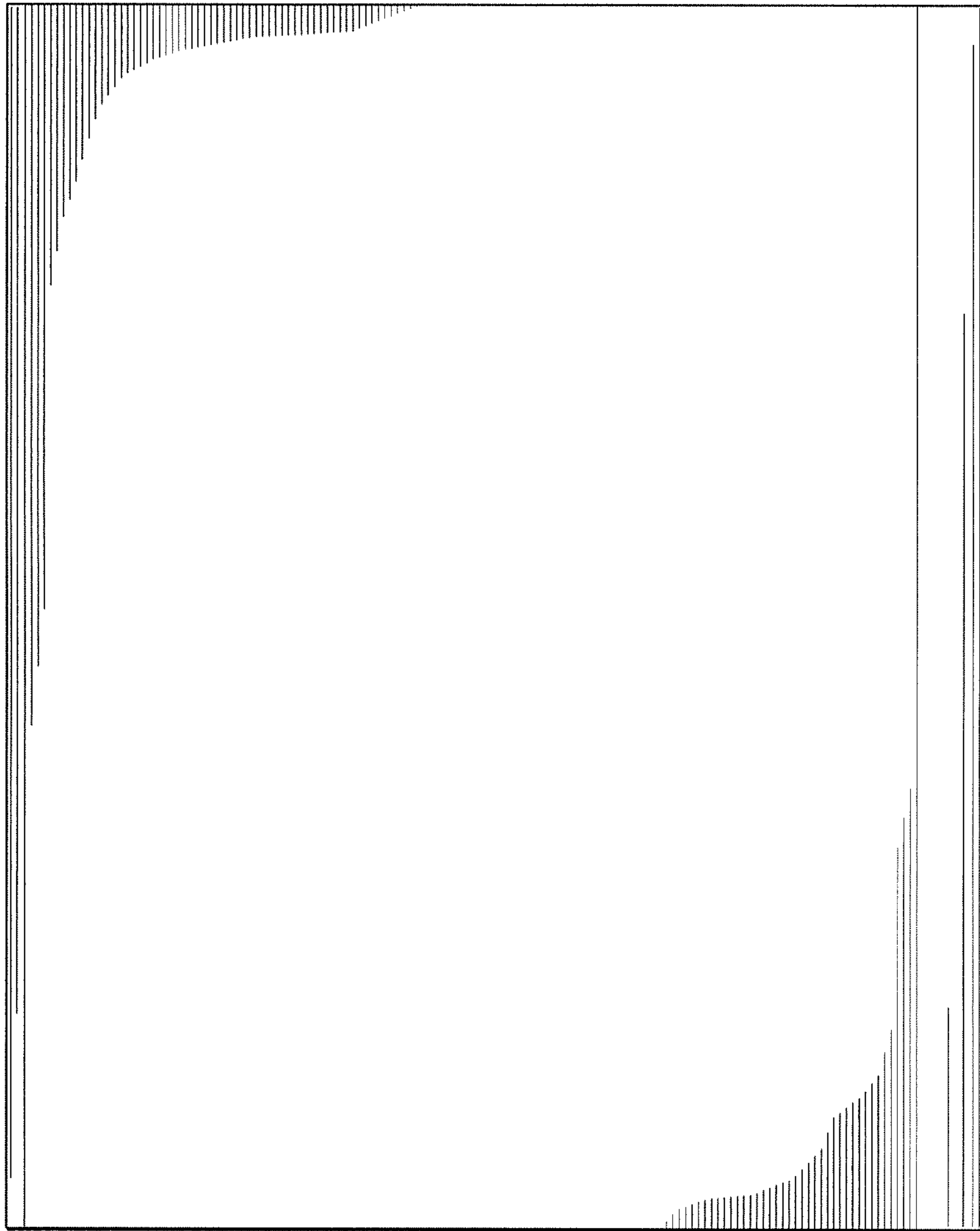


Fig. 3

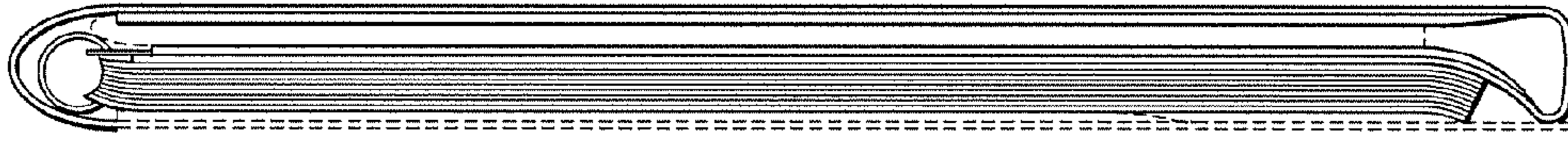


Fig. 4

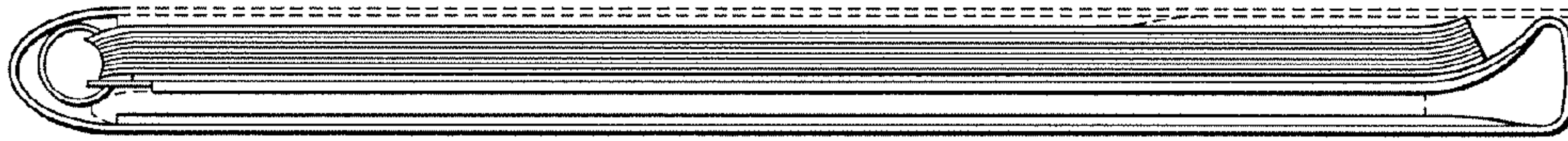


Fig. 5

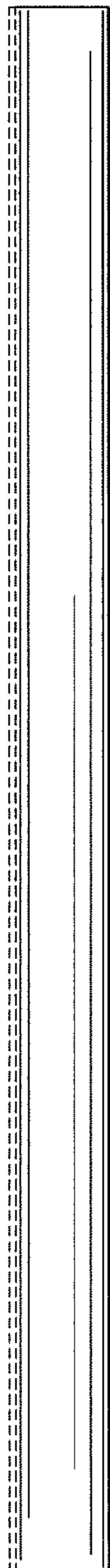


Fig. 6



Fig. 7

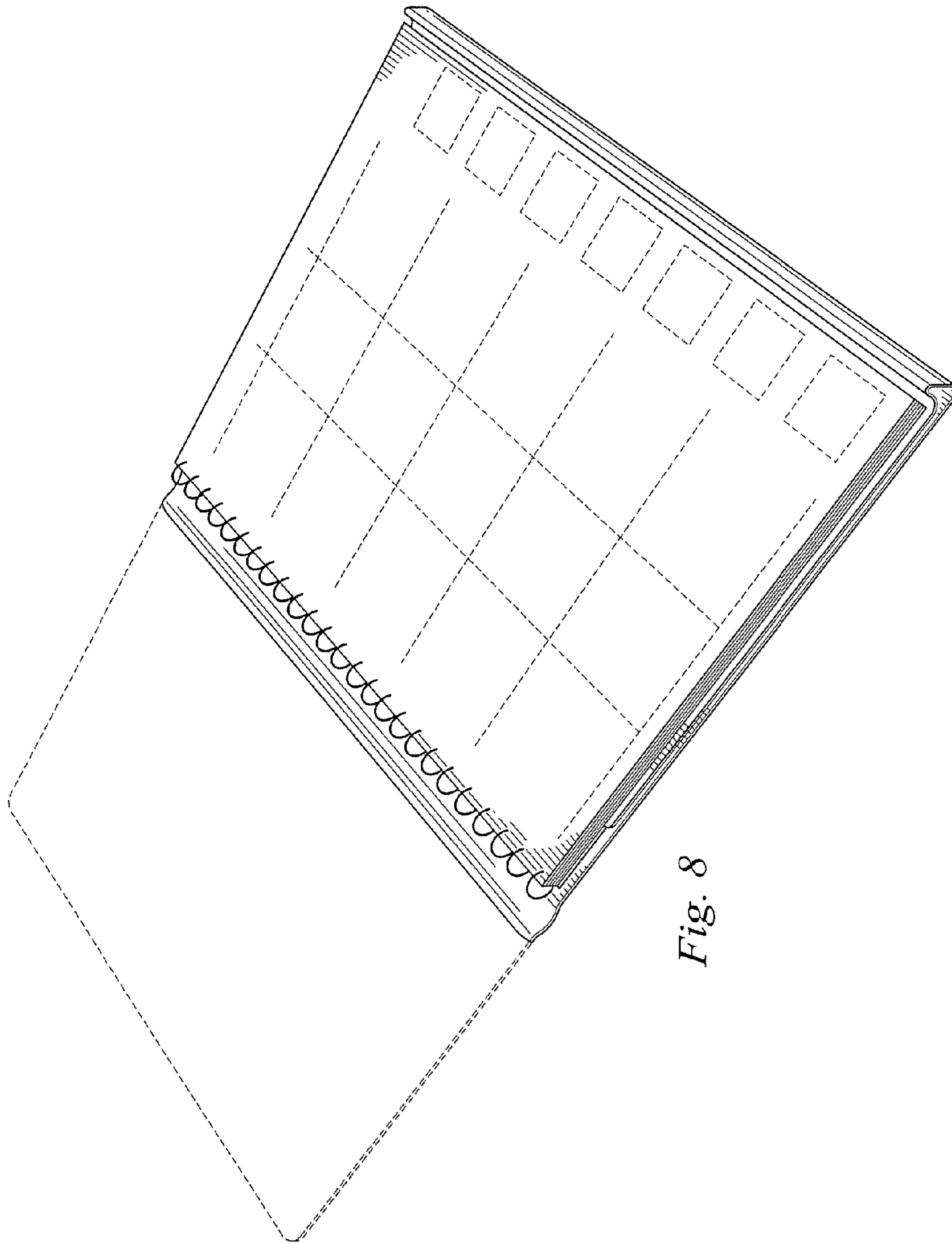


Fig. 8

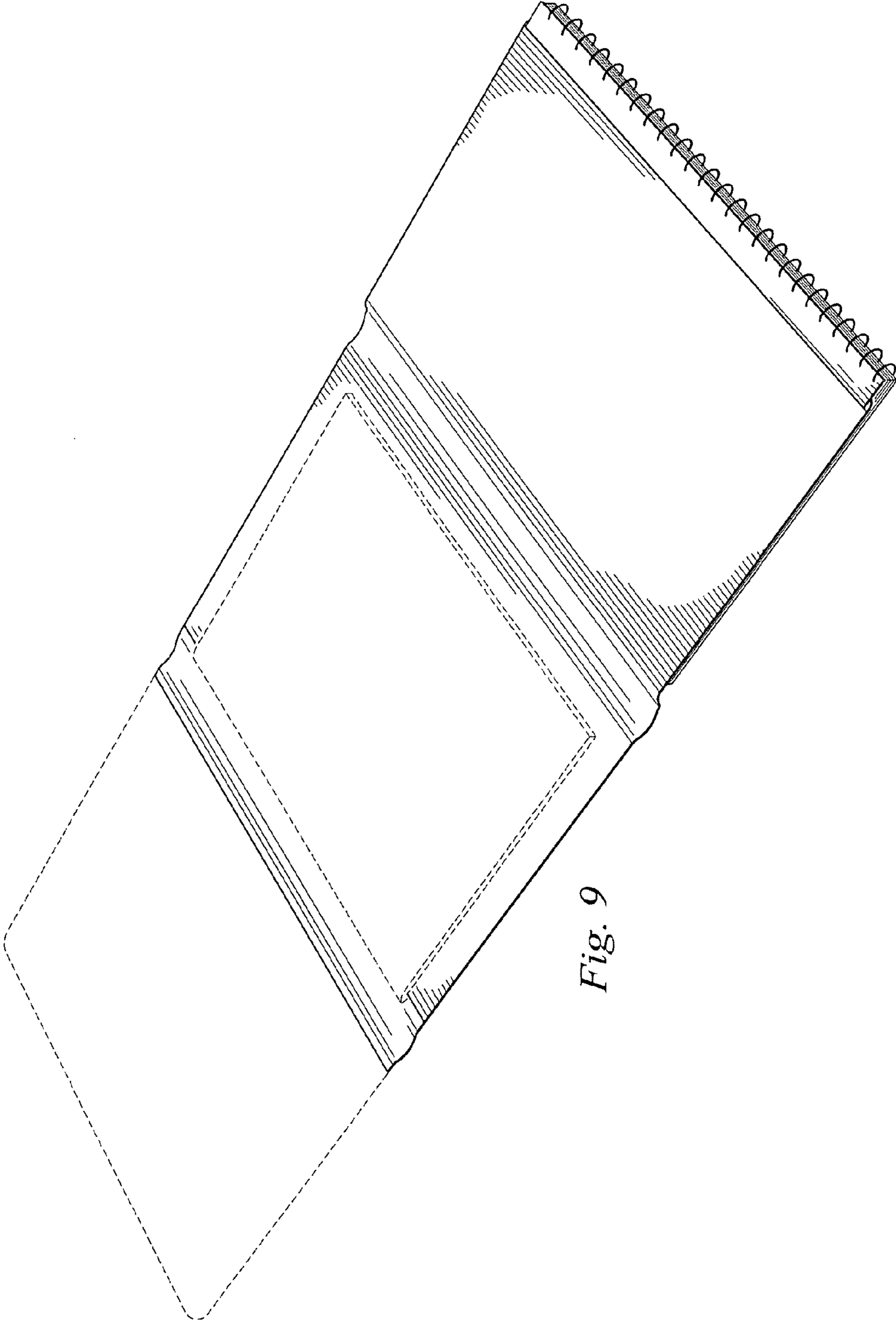


Fig. 9

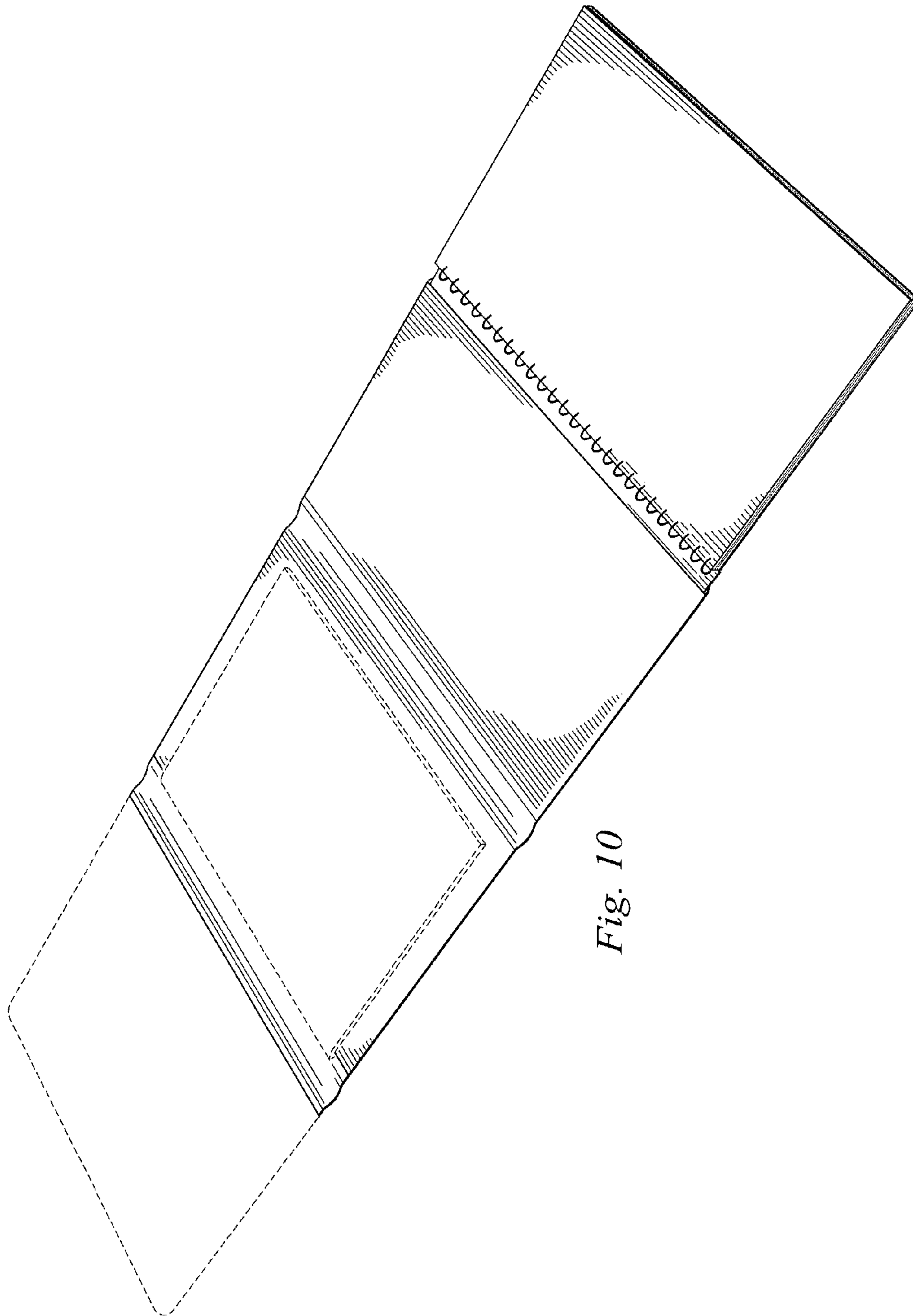


Fig. 10

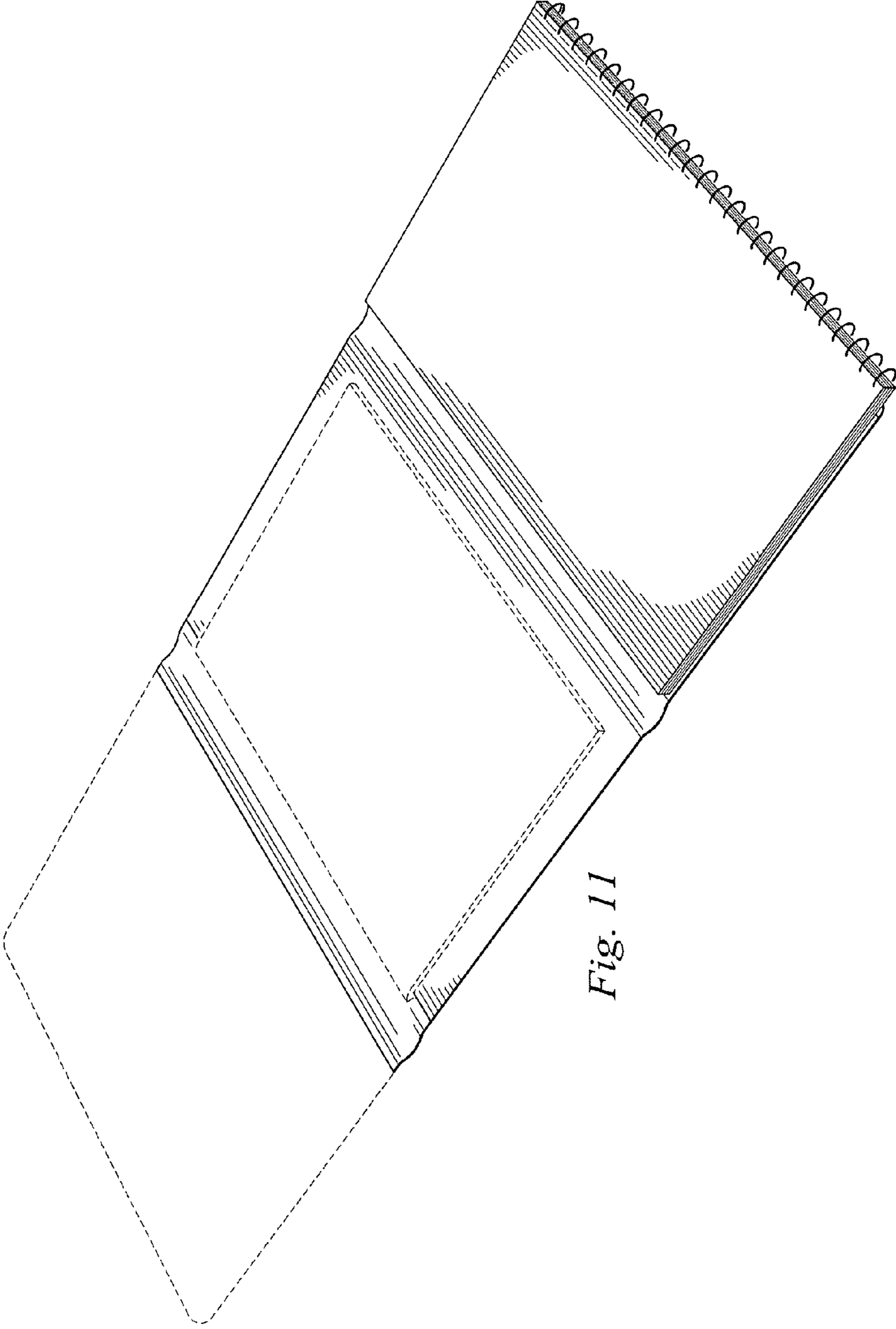


Fig. 11