



US00D599846S

(12) **United States Design Patent**  
**Yasui et al.**

(10) **Patent No.:** **US D599,846 S**  
(45) **Date of Patent:** **\*\* Sep. 8, 2009**

(54) **PROCESS CARTRIDGE**

(75) Inventors: **Kojiro Yasui**, Shizuoka-ken (JP); **Tachio Kawai**, Kanagawa-ken (JP); **Koji Yamaguchi**, Shizuoka-ken (JP); **Tadashi Horikawa**, Shizuoka-ken (JP); **Yasufumi Yoshino**, Shizuoka-ken (JP); **Akinobu Hirayama**, Shizuoka-ken (JP); **Sadaaki Tani**, Shizuoka-ken (JP); **Hiroshi Takarada**, Shizuoka-ken (JP)

(73) Assignee: **Canon Kabushiki Kaisha**, Tokyo (JP)

(\*\*) Term: **14 Years**

(21) Appl. No.: **29/323,520**

(22) Filed: **Aug. 27, 2008**

(30) **Foreign Application Priority Data**

Feb. 29, 2008 (JP) ..... 2008-004707

(51) **LOC (9) Cl.** ..... **16-03**

(52) **U.S. Cl.** ..... **D18/43**

(58) **Field of Classification Search** ..... D14/471;  
D18/12, 36, 40, 43, 44, 56; 222/DIG. 1;  
347/197, 222; 399/24-28, 107-112, 119,  
399/121, 122, 222-224

See application file for complete search history.

(56) **References Cited**

**U.S. PATENT DOCUMENTS**

5,729,795	A *	3/1998	Kavolius et al.	.....	399/109
D398,633	S *	9/1998	Hashizume et al.	.....	D18/40
D451,127	S *	11/2001	Katou et al.	.....	D18/43
D462,713	S *	9/2002	Funayama et al.	.....	D18/43
D468,763	S *	1/2003	Kunihiro et al.	.....	D18/40
D474,232	S	5/2003	Kawai et al.	.....	D18/40

D474,497	S	5/2003	Kawai et al.	.....	D18/40
D477,631	S	7/2003	Mori et al.	.....	D18/40
D489,752	S	5/2004	Yamaguchi et al.	.....	D18/40
D501,020	S *	1/2005	Otani et al.	.....	D18/40
6,853,821	B2 *	2/2005	Ishiguro et al.	.....	399/119
7,209,680	B2 *	4/2007	Kweon	.....	399/111
D552,163	S *	10/2007	Kouroku et al.	.....	D18/43

\* cited by examiner

*Primary Examiner*—Caron Veynar

*Assistant Examiner*—Garth Rademaker

(74) *Attorney, Agent, or Firm*—Fitzpatrick, Cella, Harper & Scinto

(57) **CLAIM**

The ornamental design for a process cartridge, as shown and described.

**DESCRIPTION**

FIG. 1 is a front view of a process cartridge showing our new design;

FIG. 2 is a rear view thereof;

FIG. 3 is a top plan view thereof;

FIG. 4 is a bottom plan view thereof;

FIG. 5 is a left side view thereof;

FIG. 6 is a right side view thereof;

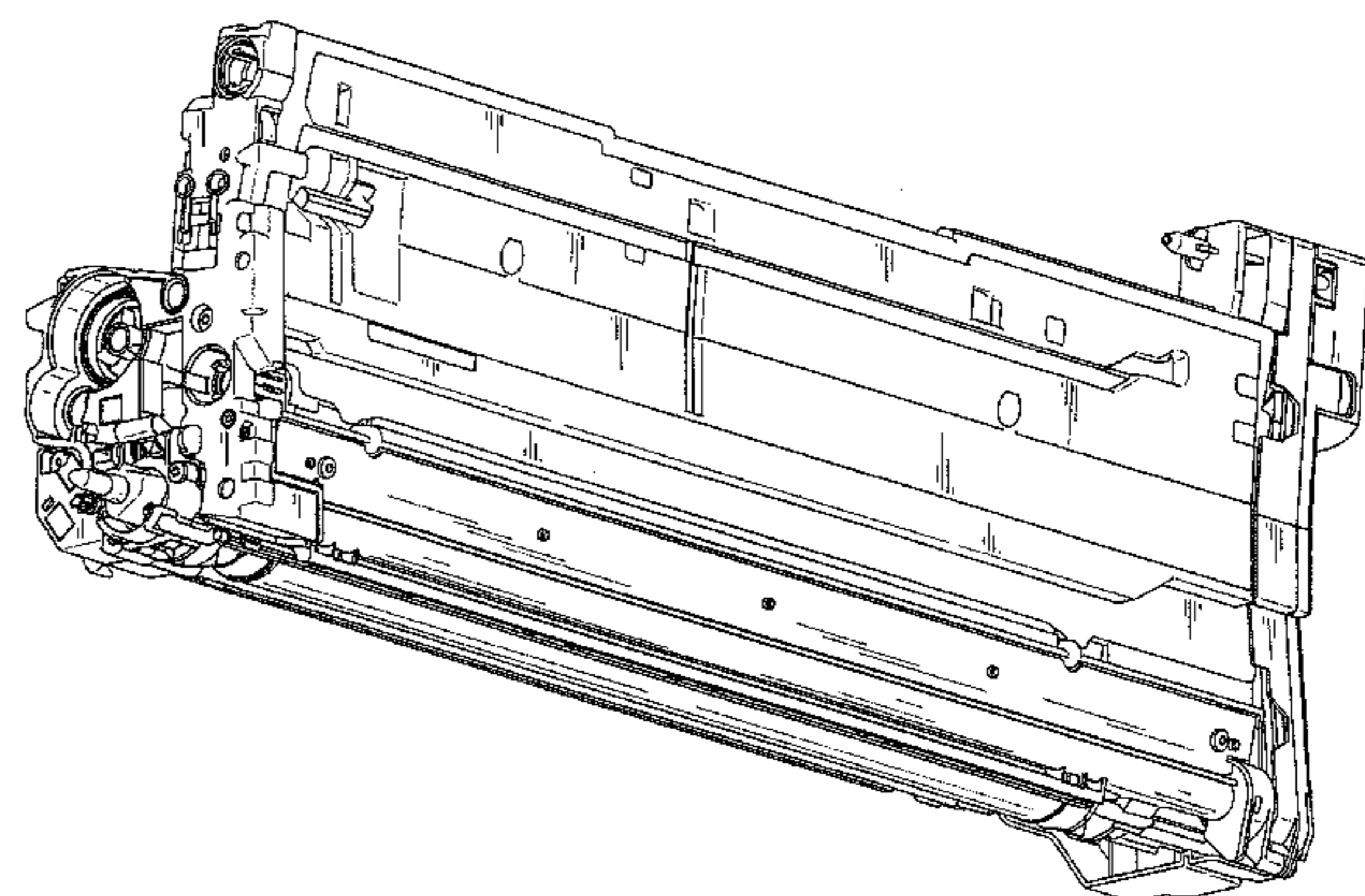
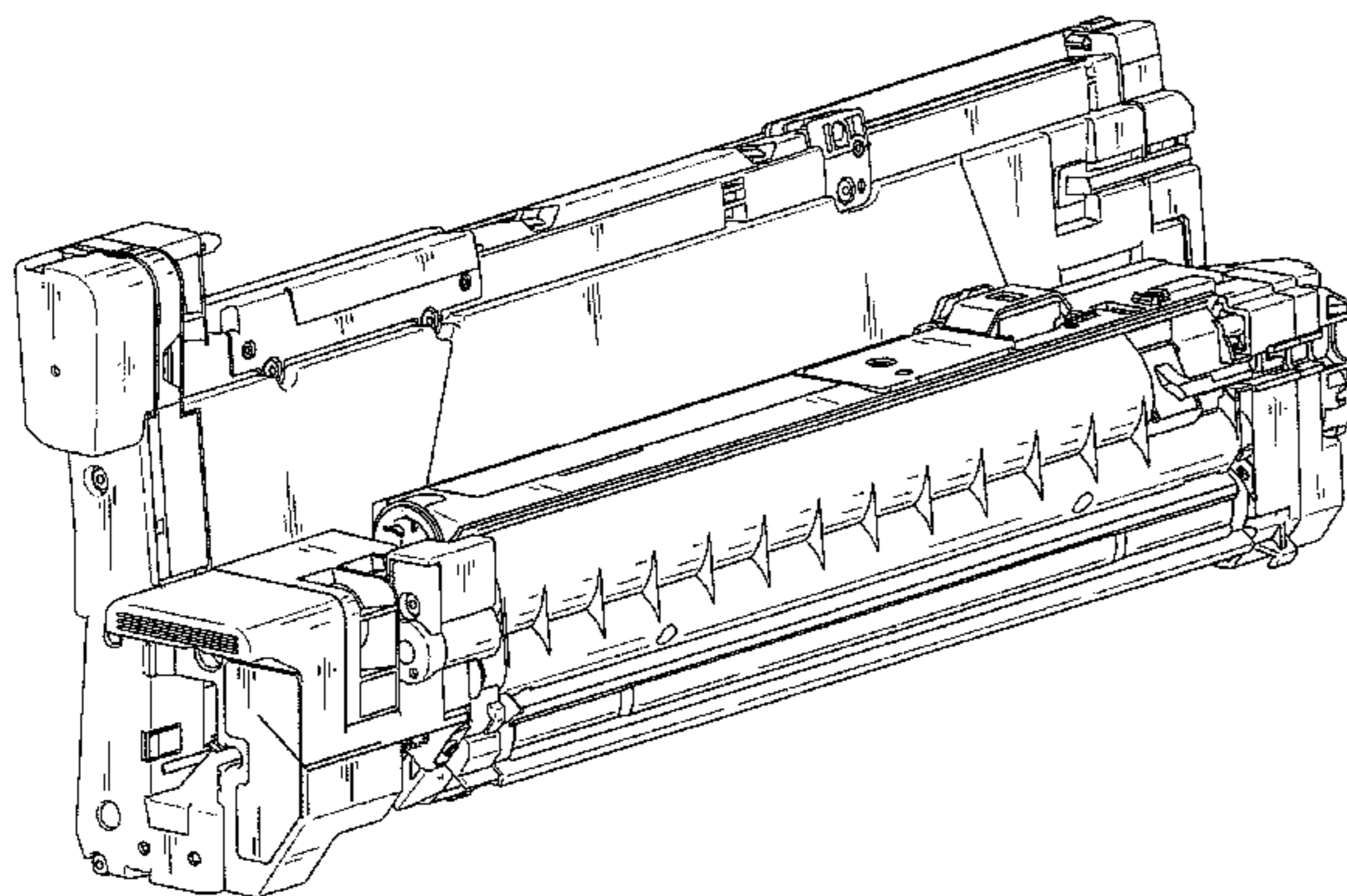
FIG. 7 is a front, top, left side perspective view thereof;

FIG. 8 is a rear, bottom, right side perspective view thereof; and,

FIG. 9 is a front, bottom, left side perspective view thereof.

The broken lines shown in FIGS. 1-7 are for the purpose of illustrating structure of the process cartridge and form no part of the claimed design.

**1 Claim, 7 Drawing Sheets**



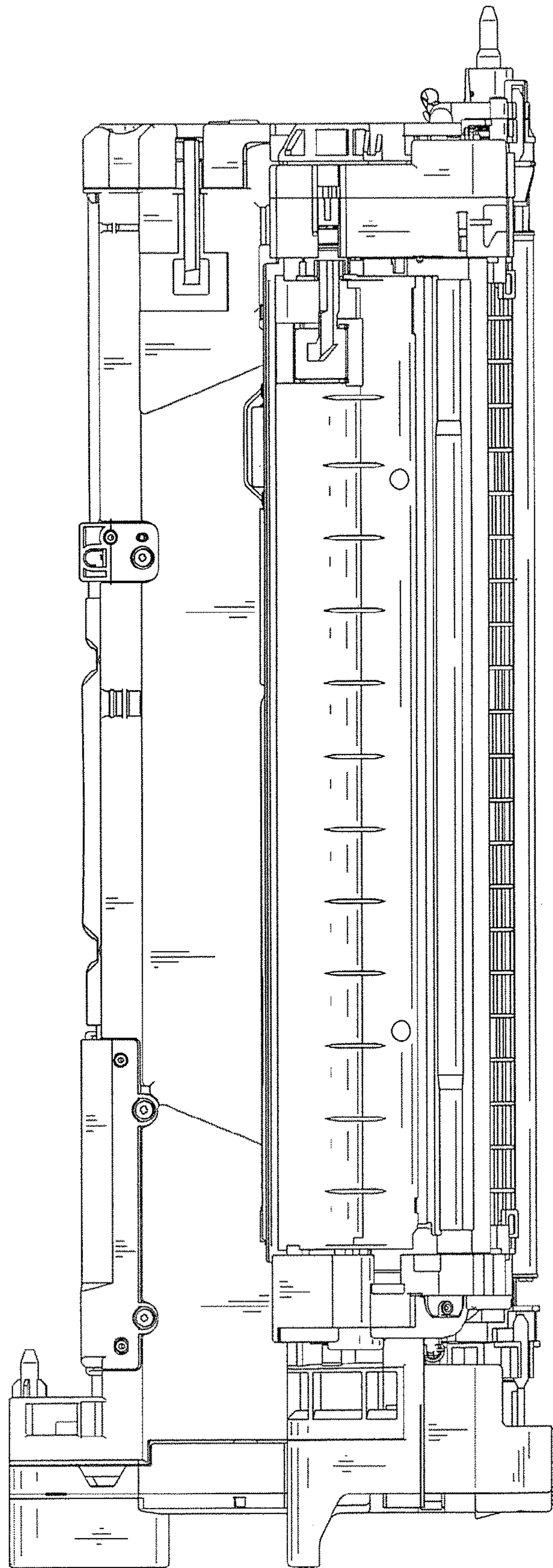


FIG. 1

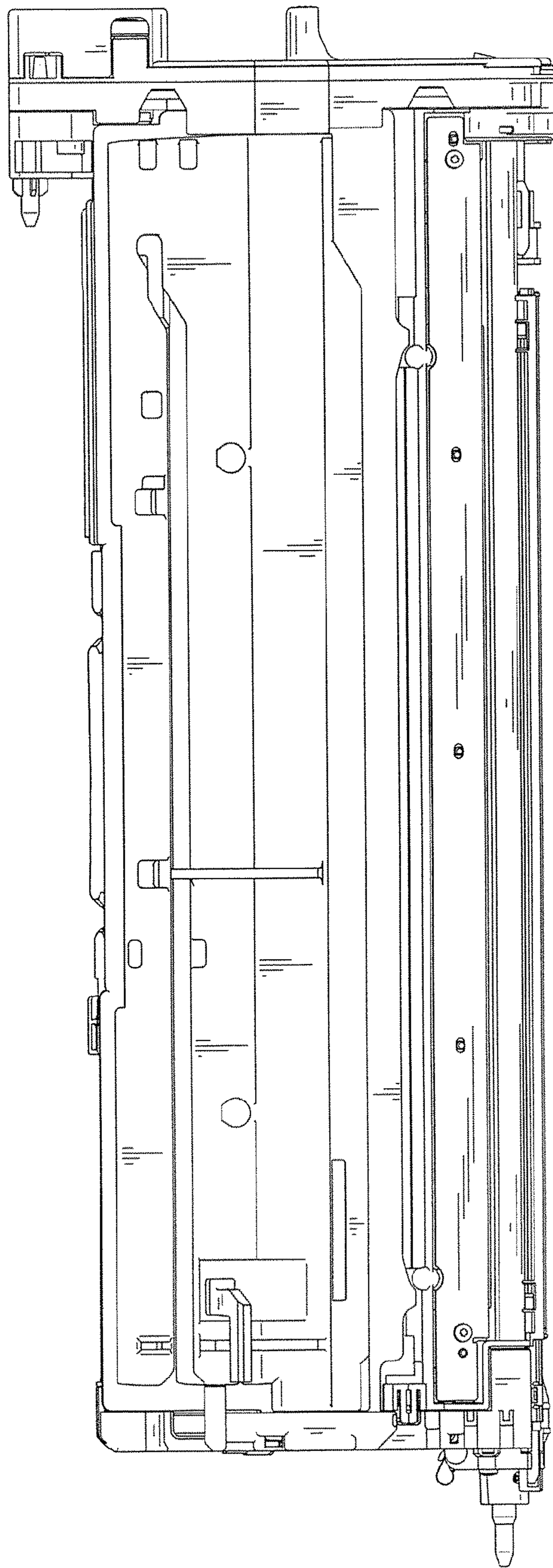


FIG. 2

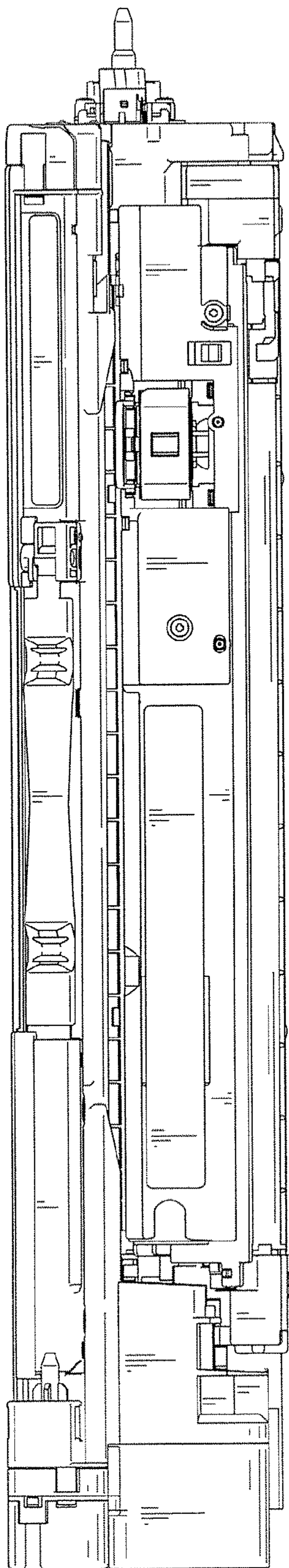


FIG. 3

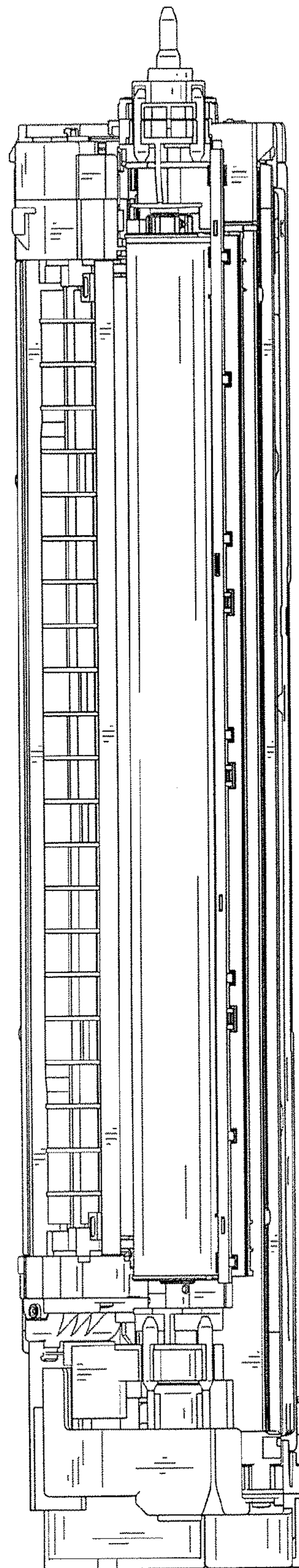
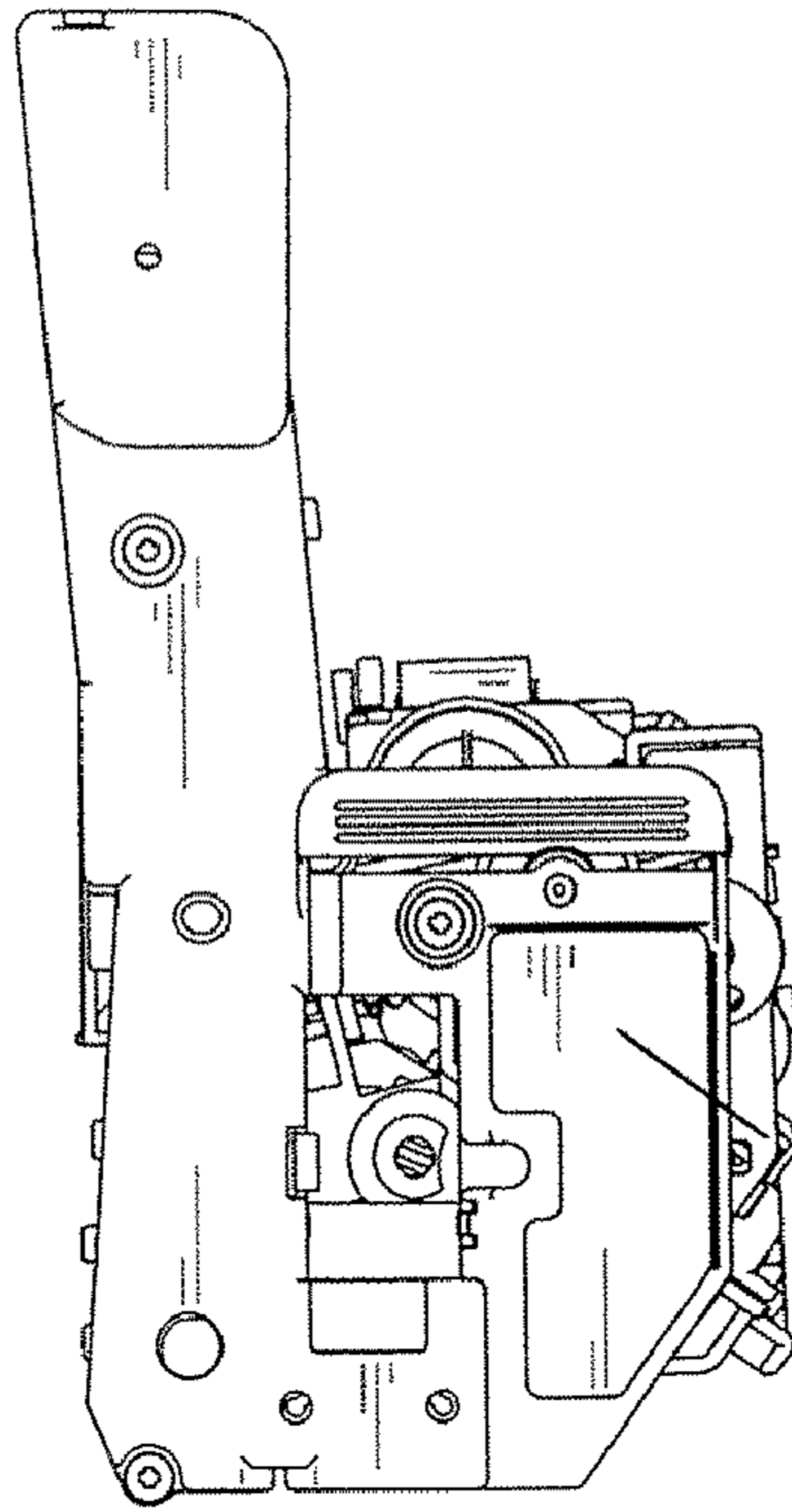
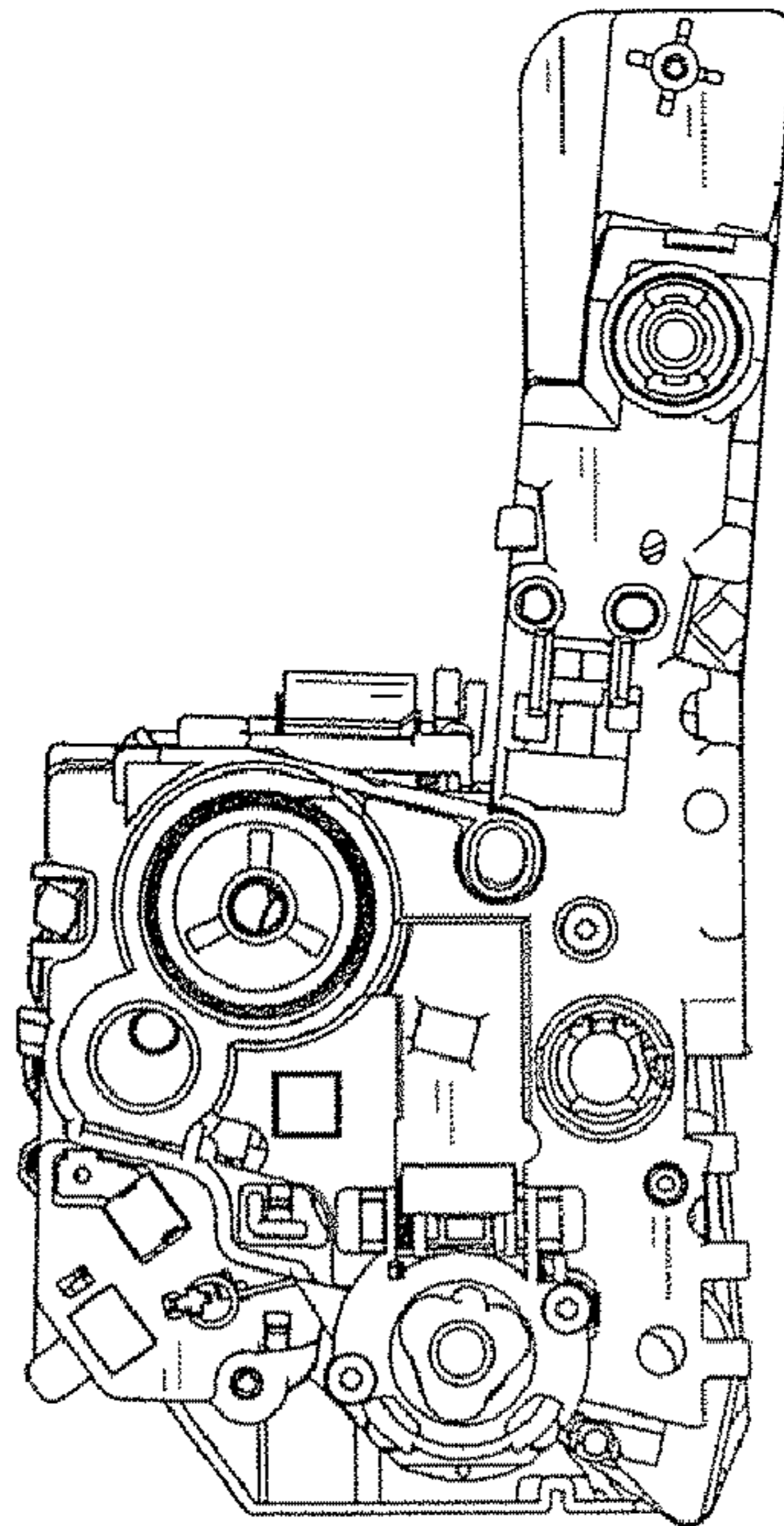


FIG. 4



*FIG. 5*



*FIG. 6*

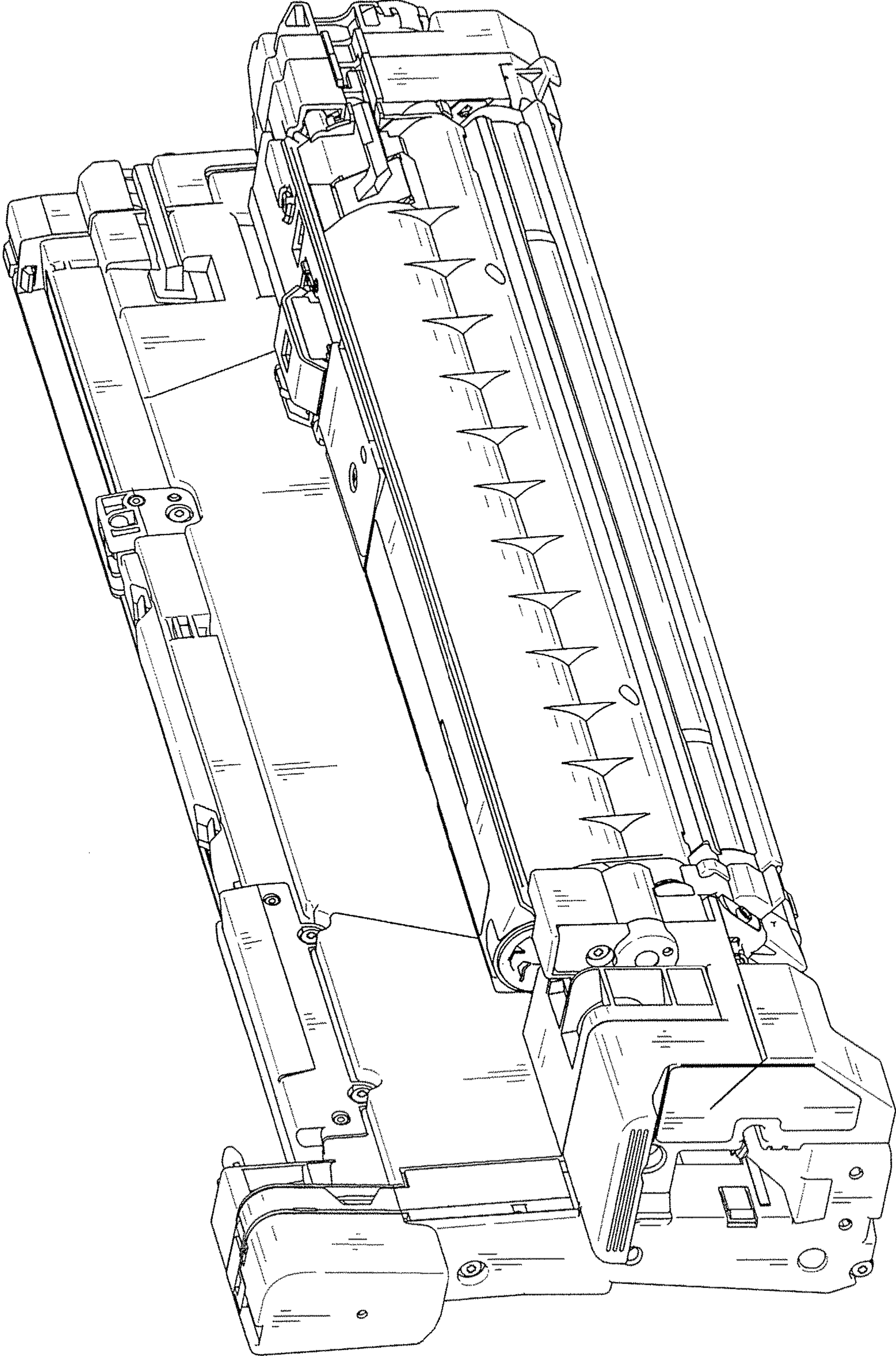


FIG. 7

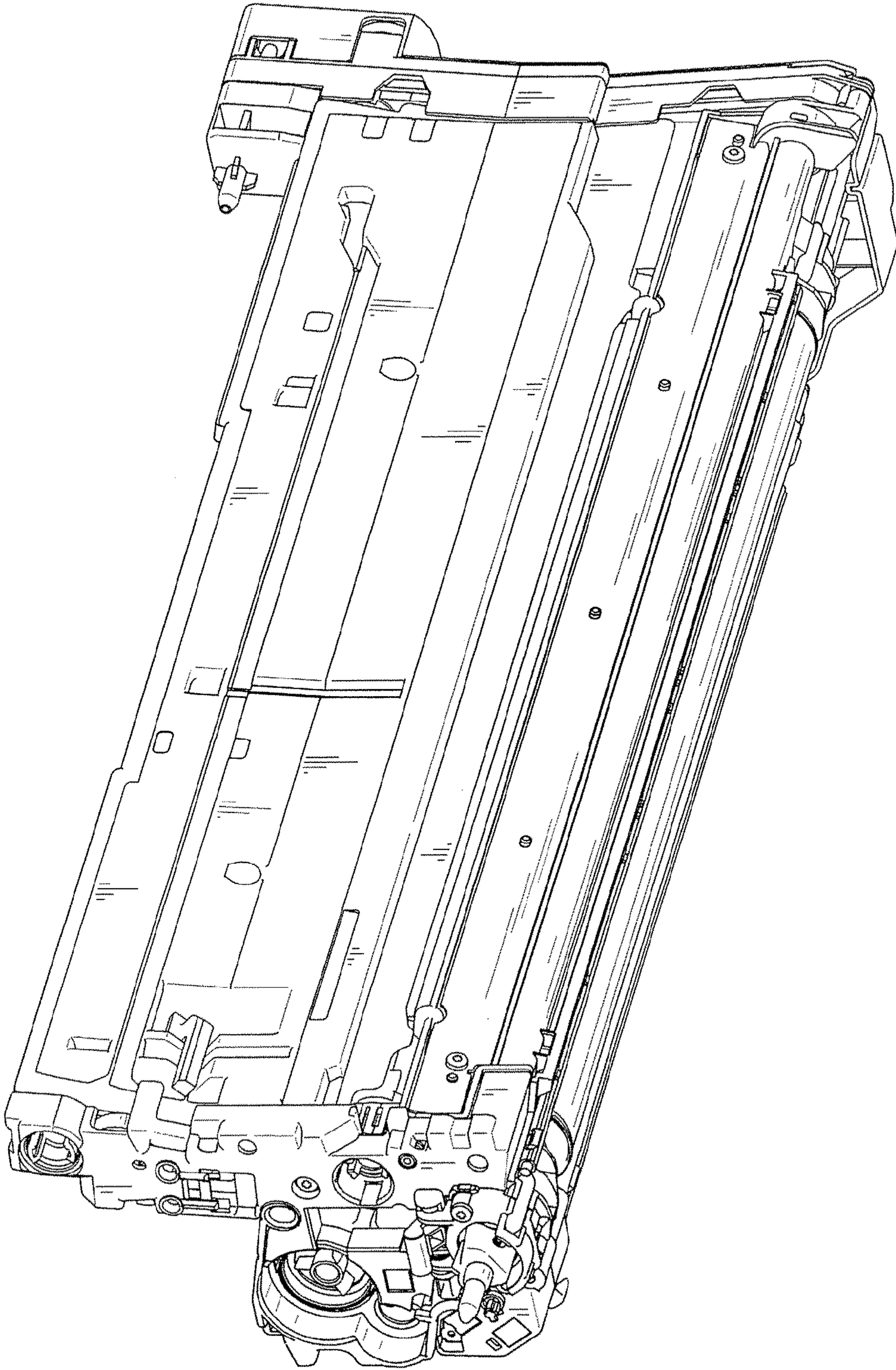


FIG. 8

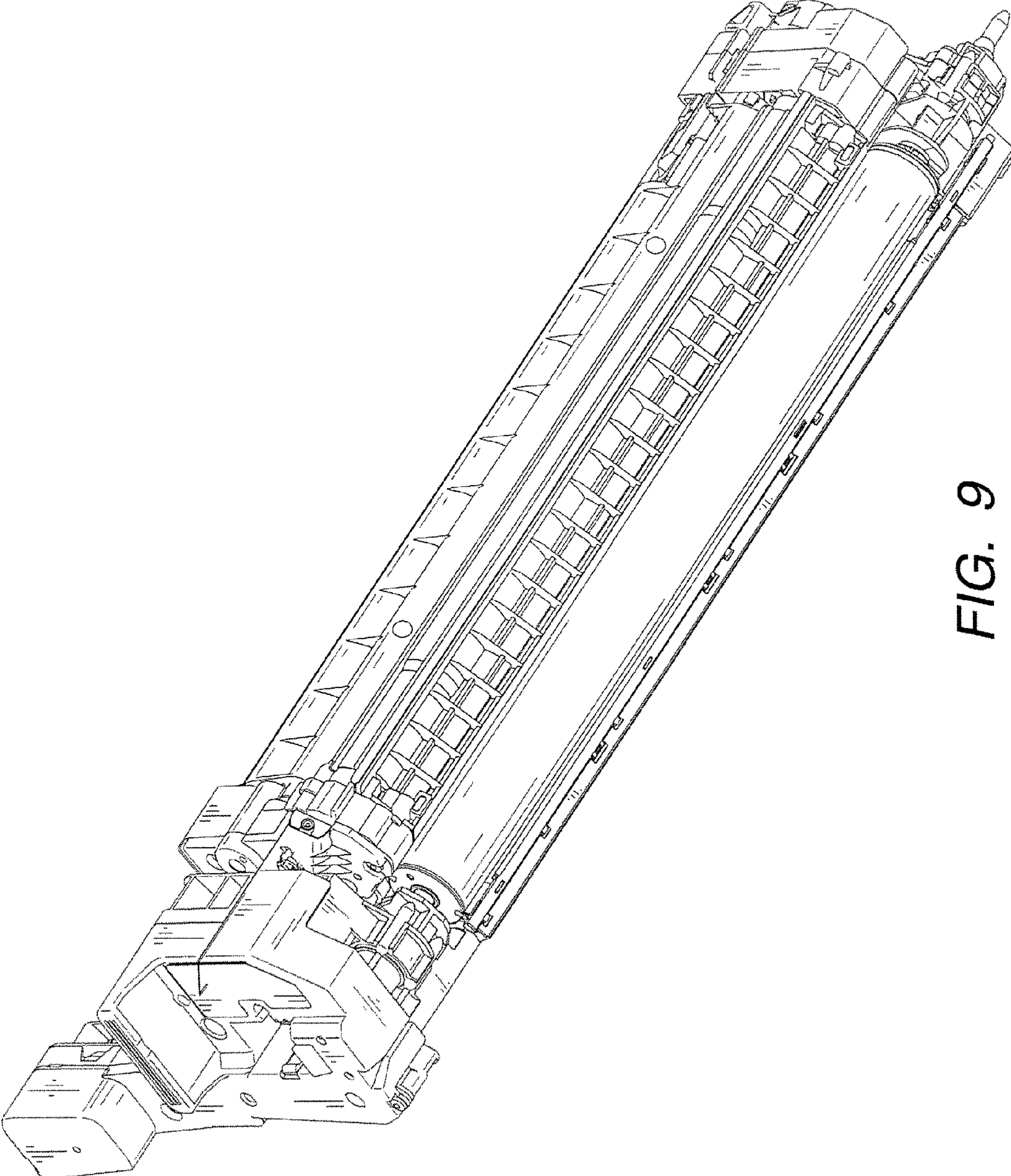


FIG. 9



UNITED STATES PATENT AND TRADEMARK OFFICE  
**CERTIFICATE OF CORRECTION**

PATENT NO. : Des. 599,846 S  
APPLICATION NO. : 29/323520  
DATED : September 8, 2009  
INVENTOR(S) : Kojiro Yasui et al.

Page 1 of 7

It is certified that error appears in the above-identified patent and that said Letters Patent is hereby corrected as shown below:

The title page showing the illustrative figures should be deleted to be replaced with the attached title page.

The drawing sheets, consisting of Figs. 1-7, should be deleted to be replaced with the drawing sheets, consisting of Figs. 1-7, as shown on the attached pages.

Signed and Sealed this

Sixteenth Day of March, 2010

A handwritten signature in black ink that reads "David J. Kappos". The signature is written in a cursive, slightly slanted style.

David J. Kappos  
*Director of the United States Patent and Trademark Office*

(12) **United States Design Patent**  
**Yasui et al.**

(10) **Patent No.:** **US D599,846 S**  
(45) **Date of Patent:** **\*\* Sep. 8, 2009**

(54) **PROCESS CARTRIDGE**

(75) **Inventors:** **Kojiro Yasui, Shizuoka-ken (JP); Tachio Kawai, Kanagawa-ken (JP); Koji Yamaguchi, Shizuoka-ken (JP); Tadashi Horikawa, Shizuoka-ken (JP); Yasufumi Yoshino, Shizuoka-ken (JP); Akinobu Hirayama, Shizuoka-ken (JP); Sadaaki Tani, Shizuoka-ken (JP); Hiroshi Takarada, Shizuoka-ken (JP)**

(73) **Assignee:** **Canon Kabushiki Kaisha, Tokyo (JP)**

(\*\*) **Term:** **14 Years**

(21) **Appl. No.:** **29/323,520**

(22) **Filed:** **Aug. 27, 2008**

(30) **Foreign Application Priority Data**  
Feb. 29, 2008 (JP) ..... 2008-004707

(51) **LOC (9) Cl.** ..... **16-03**

(52) **U.S. Cl.** ..... **D18/43**

(58) **Field of Classification Search** ..... D14/471;  
D18/12, 36, 40, 43, 44, 56; 222/DIG. 1;  
347/197, 222; 399/24-28, 107-112, 119,  
399/121, 122, 222 224

See application file for complete search history.

(56) **References Cited**

**U.S. PATENT DOCUMENTS**

- 5,729,795 A \* 3/1998 Kavolius et al. .... 399/109
- D398,633 S \* 9/1998 Hashizume et al. .... D18/40
- D451,127 S \* 11/2001 Katou et al. .... D18/43
- D462,713 S \* 9/2002 Funayama et al. .... D18/43
- D468,763 S \* 1/2003 Kunihiro et al. .... D18/40
- D474,232 S 5/2003 Kawai et al. .... D18/40

- D474,497 S 5/2003 Kawai et al. .... D18/40
- D477,631 S 7/2003 Mori et al. .... D18/40
- D489,752 S 5/2004 Yamaguchi et al. .... D18/40
- D501,020 S \* 1/2005 Otani et al. .... D18/40
- 6,853,821 B2 \* 2/2005 Ishiguro et al. .... 399/119
- 7,209,680 B2 \* 4/2007 Kweon ..... 399/111
- D552,163 S \* 10/2007 Kouroku et al. .... D18/43

\* cited by examiner

*Primary Examiner*—Caron Veynar

*Assistant Examiner*—Garth Rademaker

(74) *Attorney, Agent, or Firm*—Fitzpatrick, Cella, Harper & Scinto

(57) **CLAIM**

The ornamental design for a process cartridge, as shown and described.

**DESCRIPTION**

FIG. 1 is a front view of a process cartridge showing our new design;

FIG. 2 is a rear view thereof;

FIG. 3 is a top plan view thereof;

FIG. 4 is a bottom plan view thereof;

FIG. 5 is a left side view thereof;

FIG. 6 is a right side view thereof;

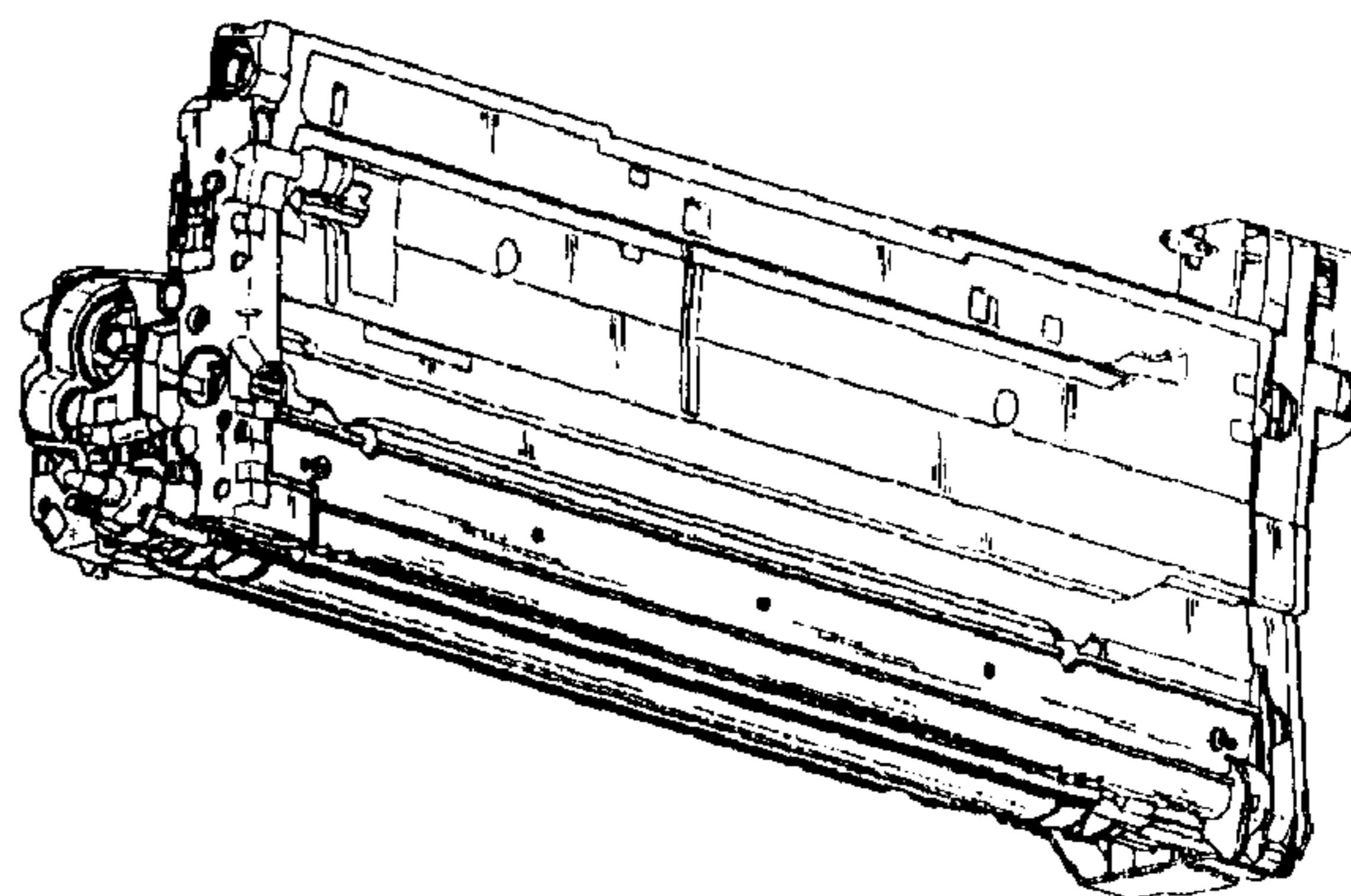
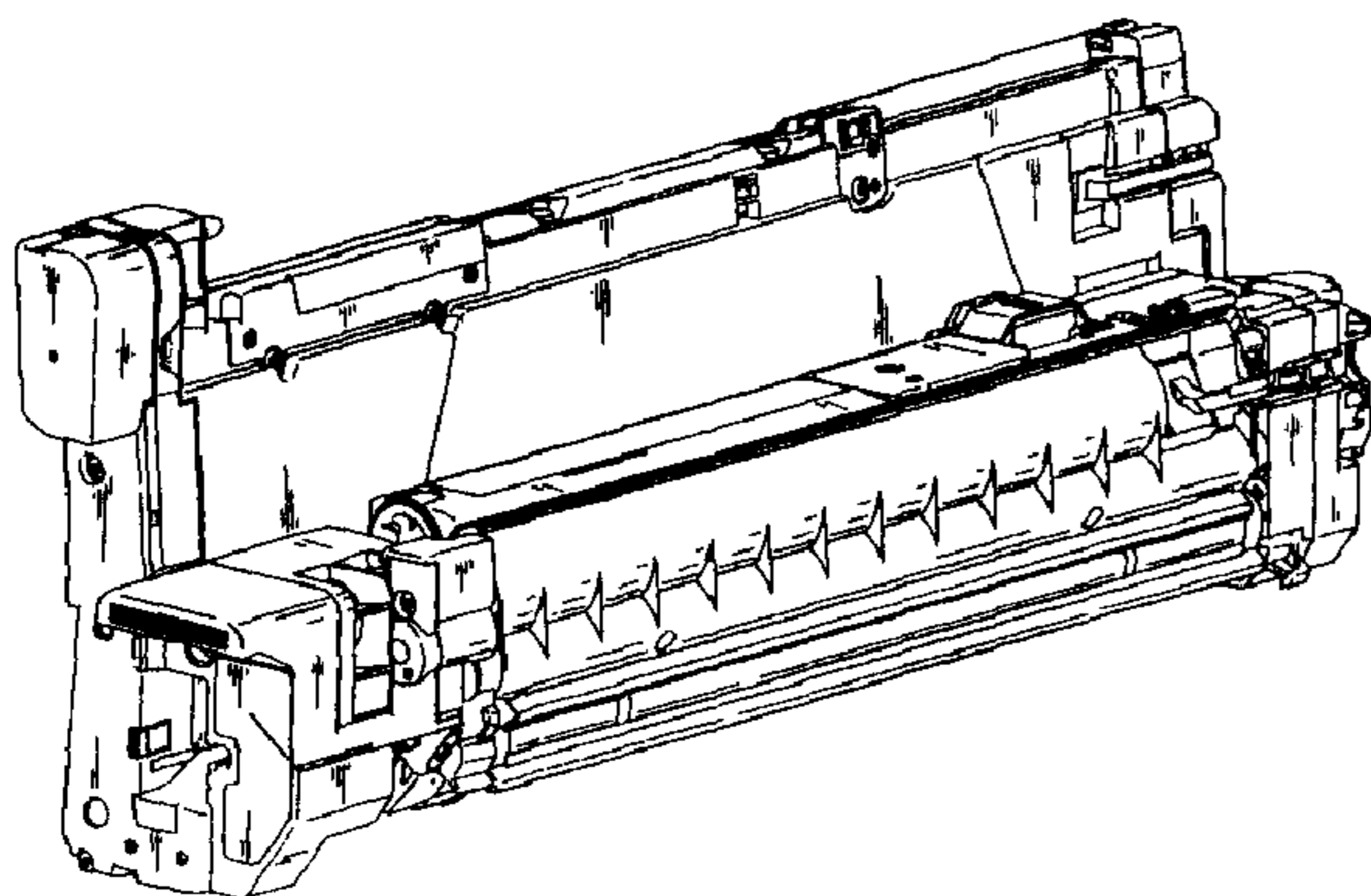
FIG. 7 is a front, top, left side perspective view thereof;

FIG. 8 is a is a rear, bottom, right side perspective view thereof; and,

FIG. 9 is a front, bottom, left side perspective view thereof.

The broken lines shown in FIGS. 1-7 are for the purpose of illustrating structure of the process cartridge and form no part of the claimed design.

**1 Claim, 7 Drawing Sheets**



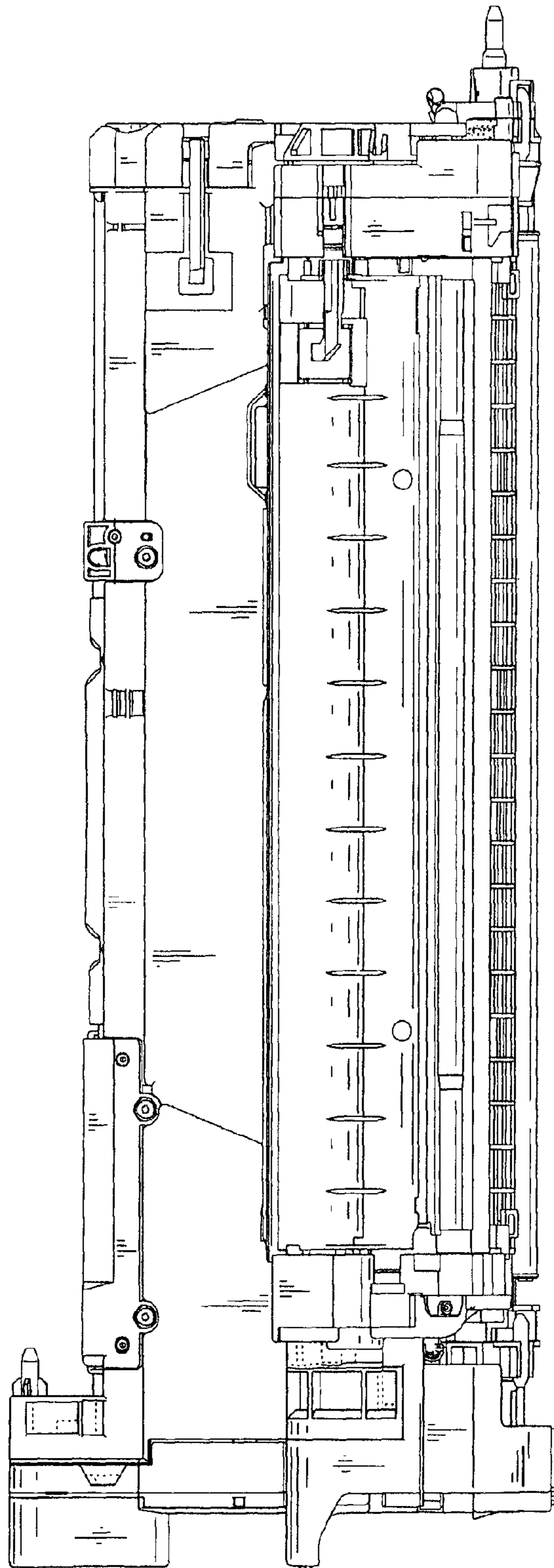


FIG. 1

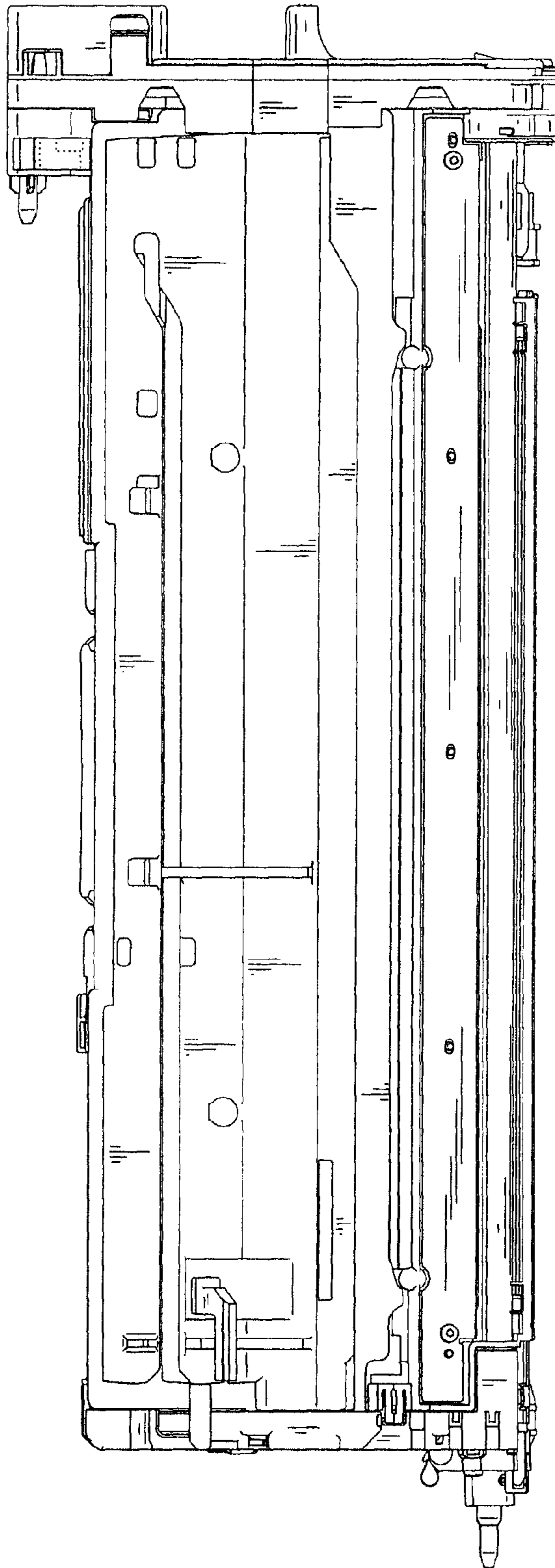


FIG. 2

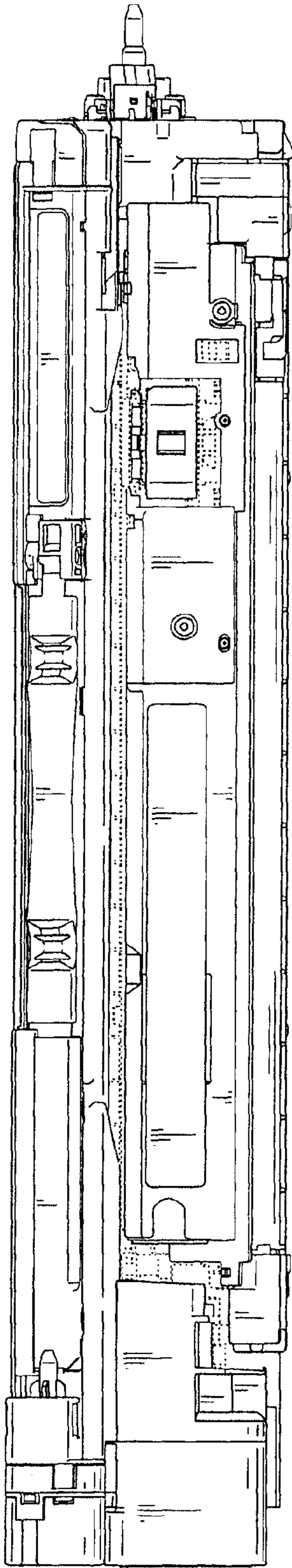


FIG. 3

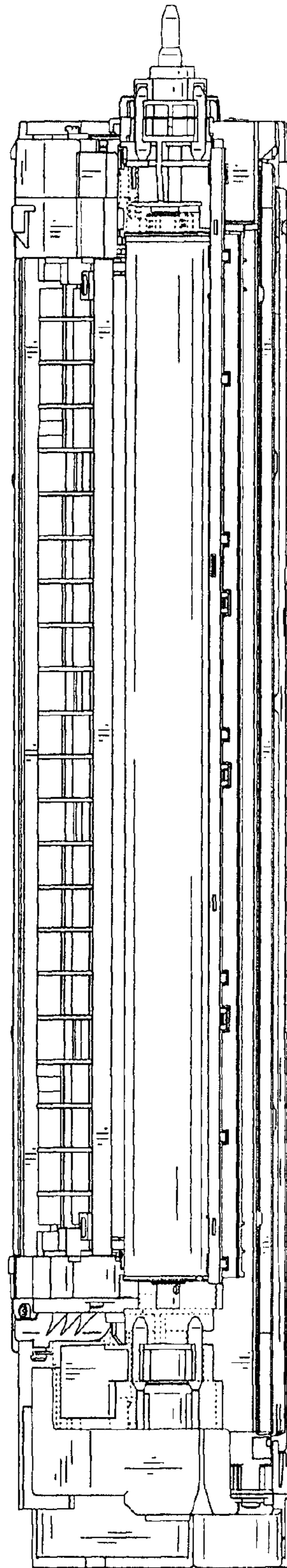
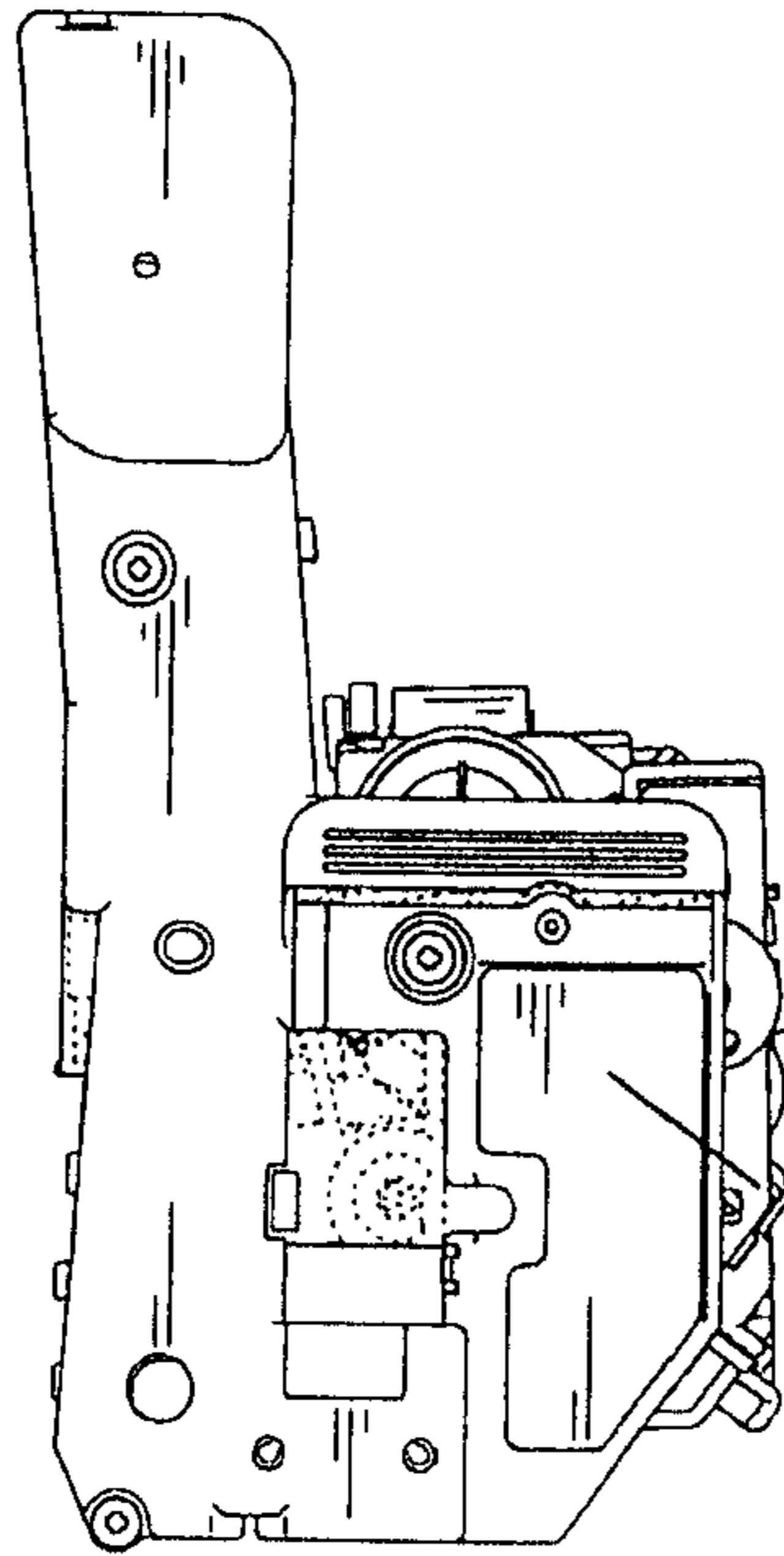
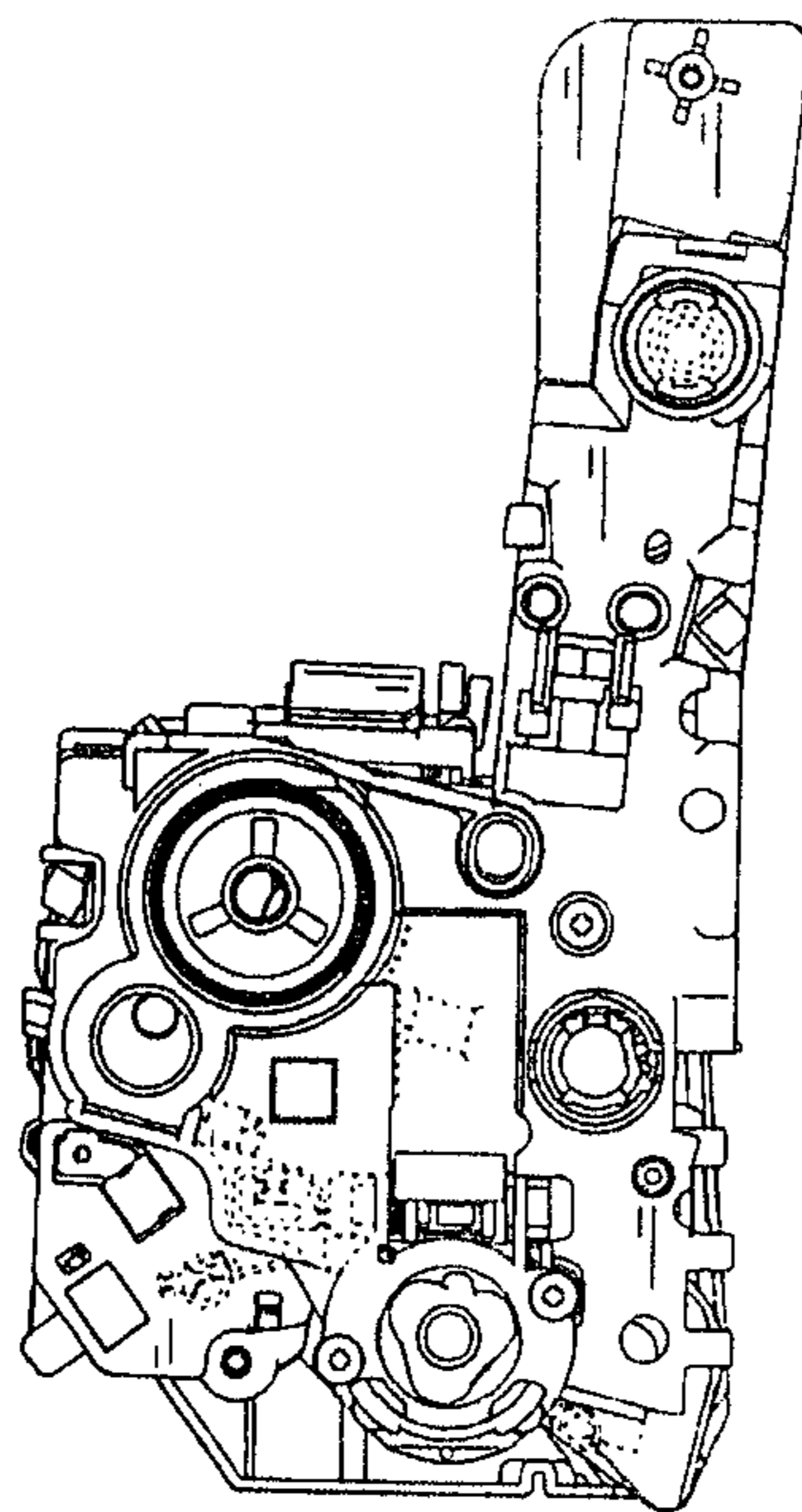


FIG. 4



*FIG. 5*



*FIG. 6*

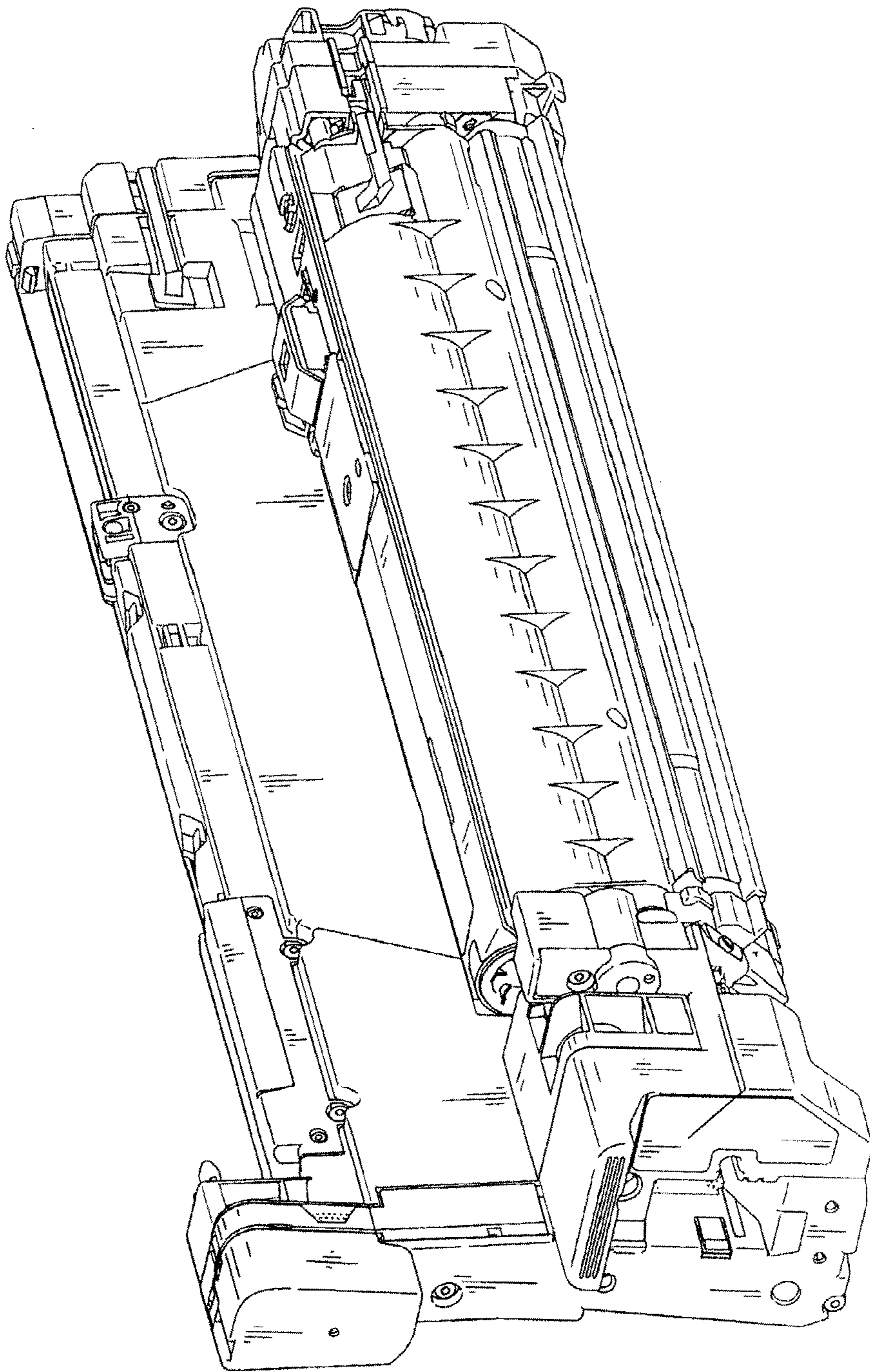


FIG. 7