



US00D599843S

(12) **United States Design Patent**
Jao et al.

(10) **Patent No.:** **US D599,843 S**
(45) **Date of Patent:** **** Sep. 8, 2009**

(54) **RIBBON CARTRIDGE**

(75) Inventors: **Pang-Yen Jao**, Taipei (TW);
Chao-Kuan Wu, Taipei (TW);
Chao-Hsuan Lee, Taipei (TW)

(73) Assignee: **Lite-On Technology Corp.**, Taipei (TW)

(**) Term: **14 Years**

(21) Appl. No.: **29/287,667**

(22) Filed: **Sep. 6, 2007**

(30) **Foreign Application Priority Data**

Jul. 16, 2007 (TW) 96303915

(51) **LOC (9) Cl.** **18-01**

(52) **U.S. Cl.** **D18/12**

(58) **Field of Classification Search** D14/462,
D14/471, 474-477, 481-484; D18/12, 36,
D18/40, 43, 44, 56; 222/DIG. 1; 347/49,
347/214, 222; 399/24-27, 107-111; 400/194,
400/196, 205, 207, 242

See application file for complete search history.

(56) **References Cited**

U.S. PATENT DOCUMENTS

D397,142 S * 8/1998 Hammill et al. D18/56
D420,696 S * 2/2000 Yung et al. D18/12
D425,545 S * 5/2000 Ishida D18/12

D453,180 S * 1/2002 Matsumoto et al. D18/12
D467,265 S * 12/2002 Suzuki et al. D18/40
D514,153 S * 1/2006 Tu D18/12
D527,761 S * 9/2006 Neri D18/12
D545,883 S * 7/2007 Yamamoto et al. D18/12

* cited by examiner

Primary Examiner—Caron Veynar

Assistant Examiner—Garth Rademaker

(74) *Attorney, Agent, or Firm*—Rosenberg, Klein & Lee

(57) **CLAIM**

The ornamental design for a ribbon cartridge, as shown and described.

DESCRIPTION

FIG. 1 is a perspective view of a ribbon cartridge showing our new design;

FIG. 2 is a front elevational view thereof;

FIG. 3 is a rear elevational view thereof;

FIG. 4 is a left side elevational view thereof;

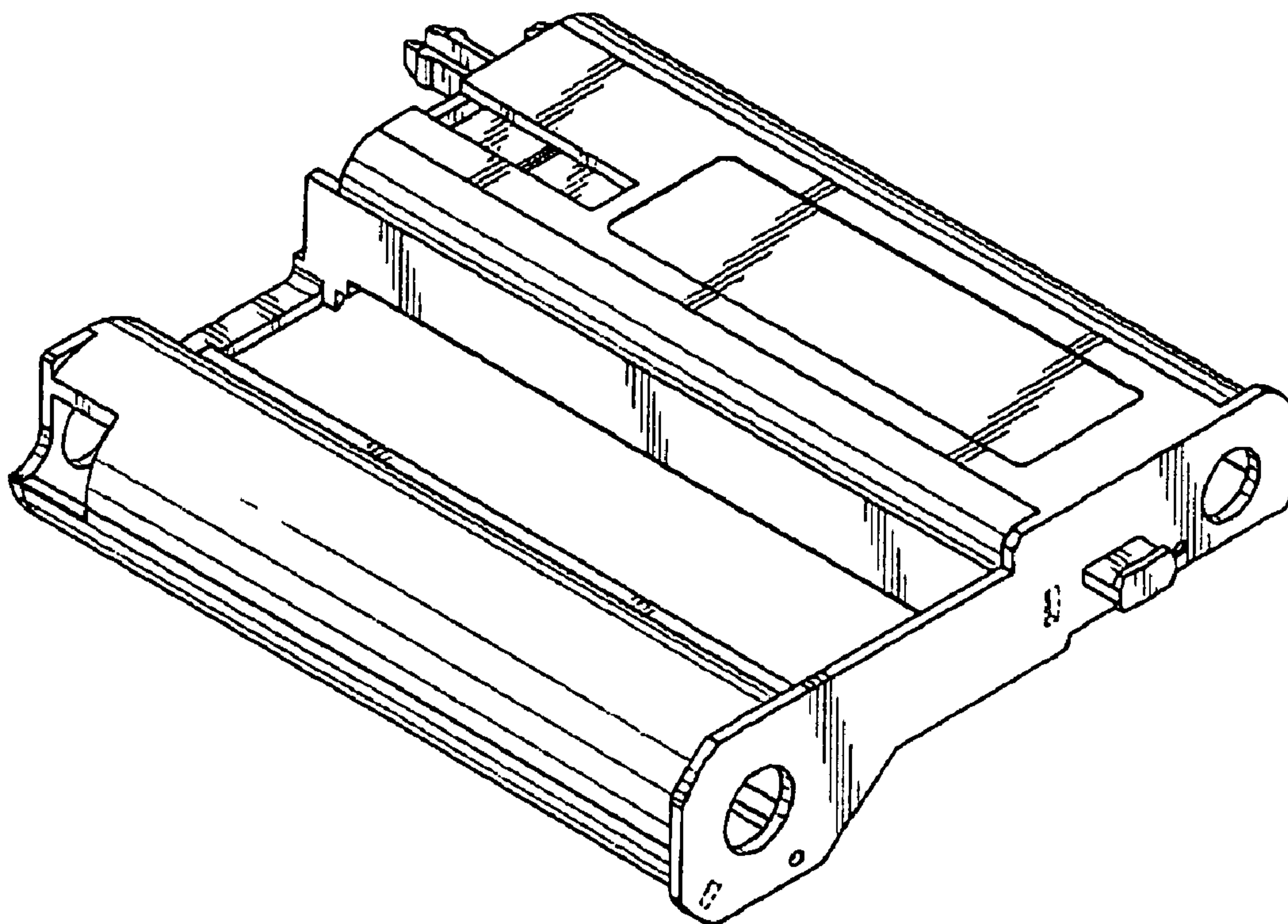
FIG. 5 is a right side elevational view thereof;

FIG. 6 is a top plan view thereof; and,

FIG. 7 is a bottom plan view thereof.

The broken lines depict environmental subject matter only and form no part of the claimed design.

1 Claim, 5 Drawing Sheets



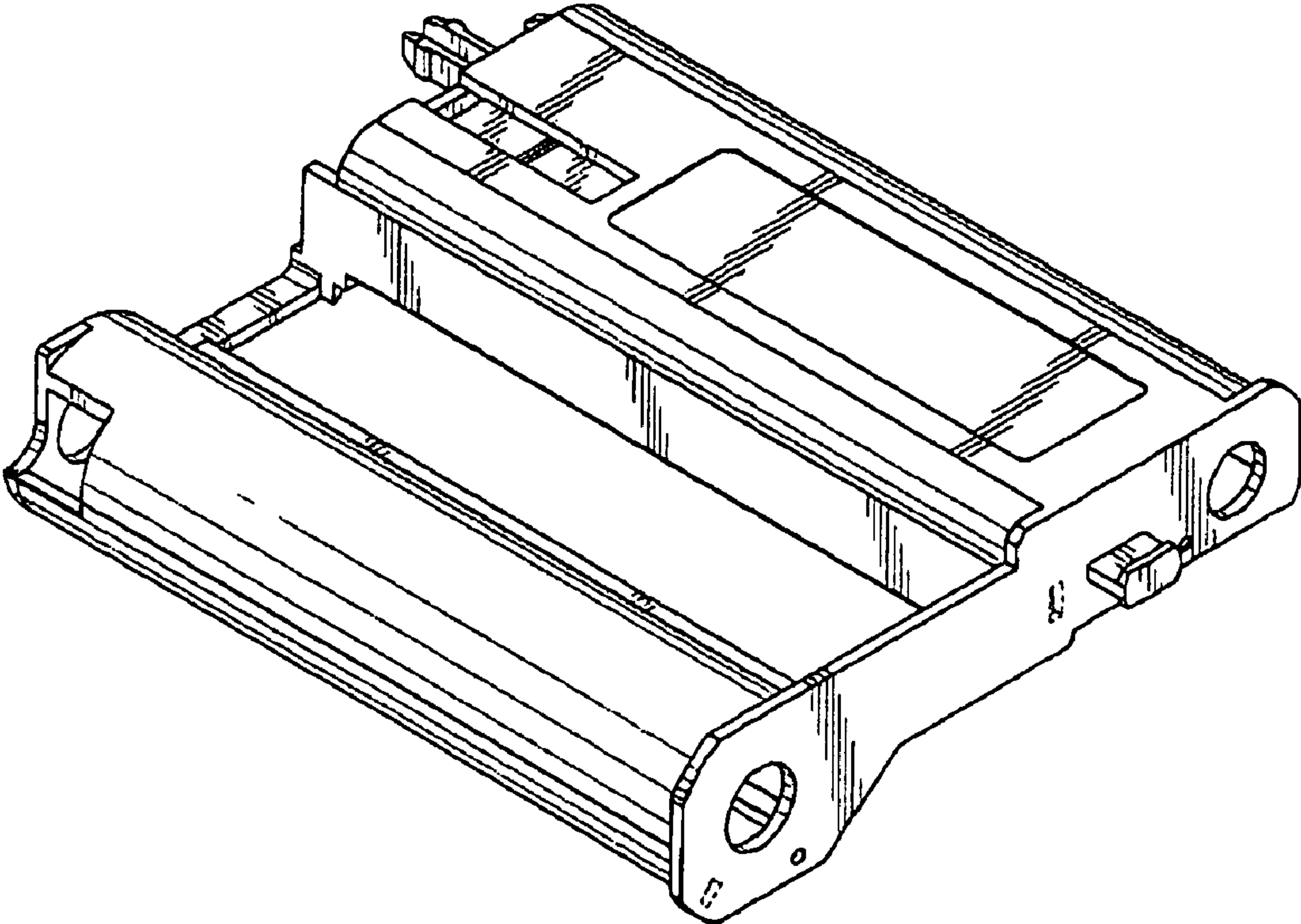


FIG. 1

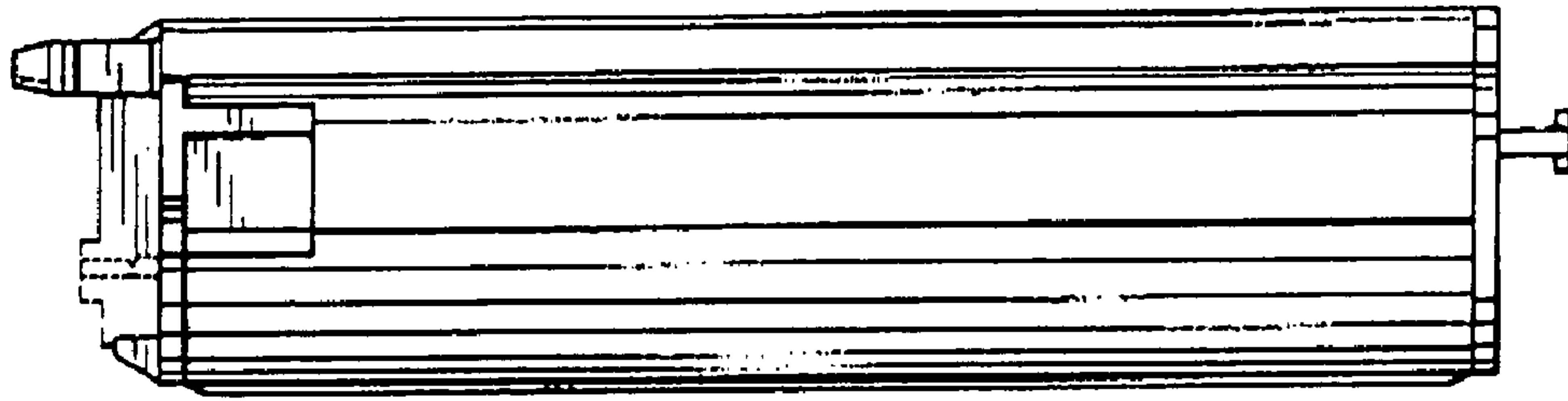


FIG. 2

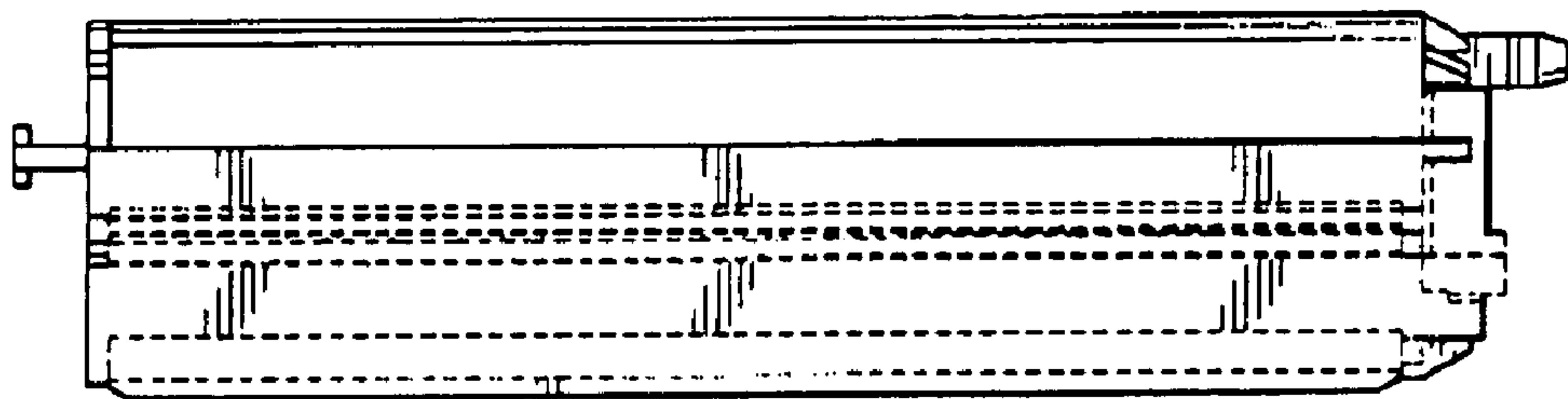


FIG. 3

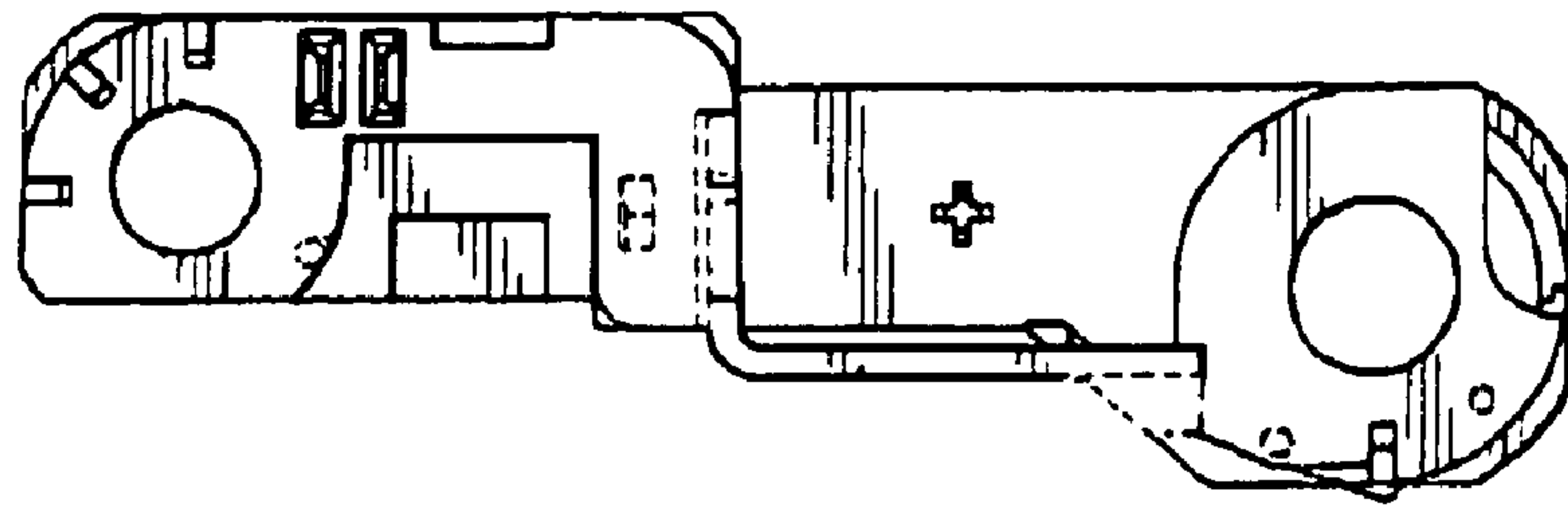


FIG. 4

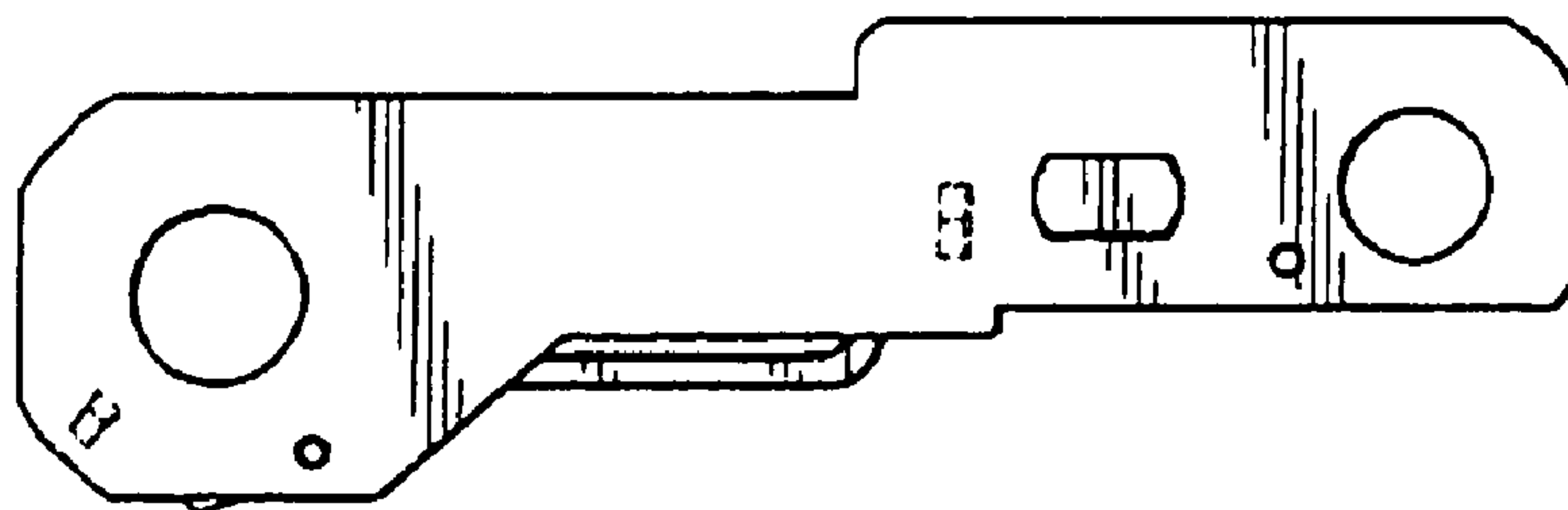


FIG. 5

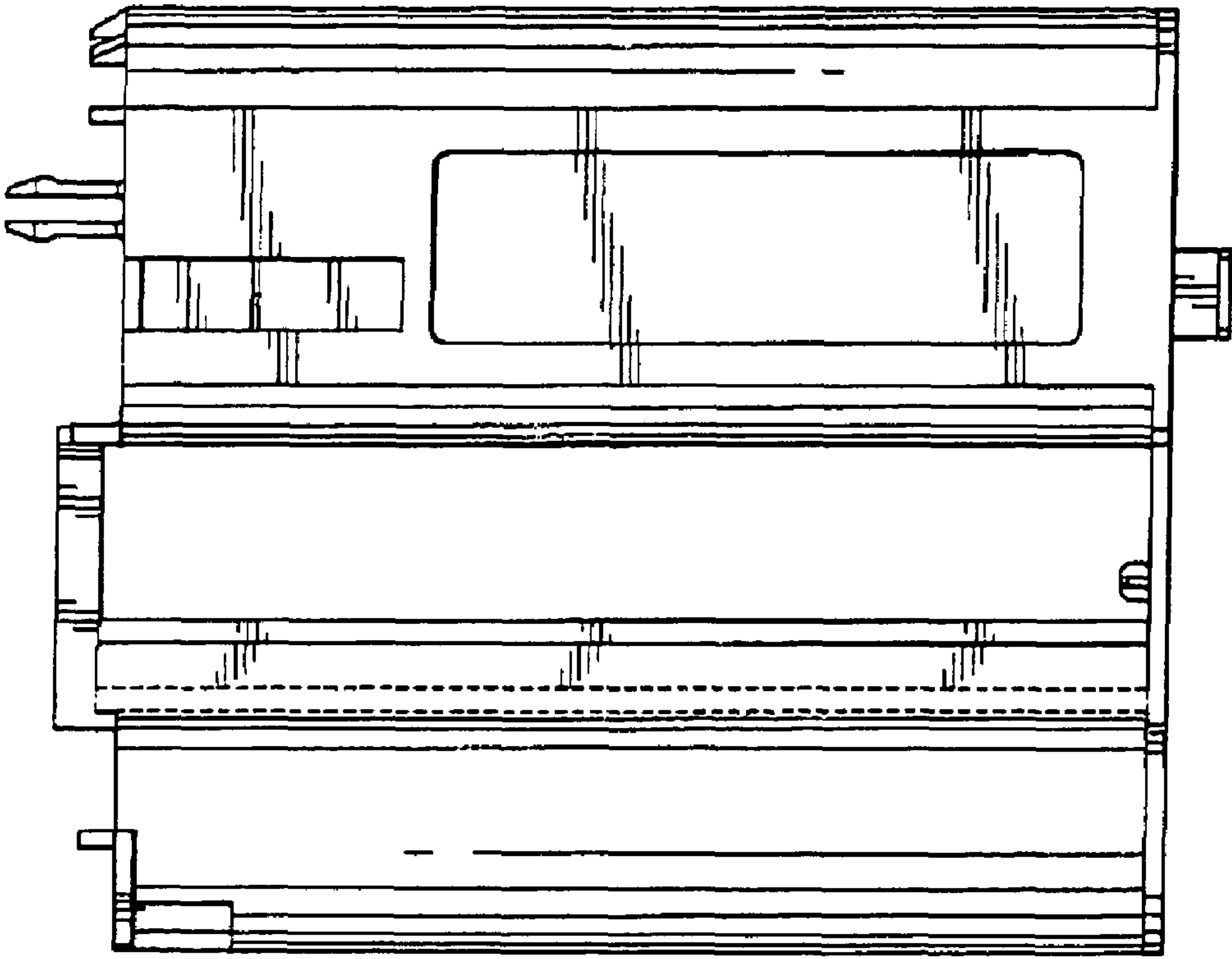


FIG. 6

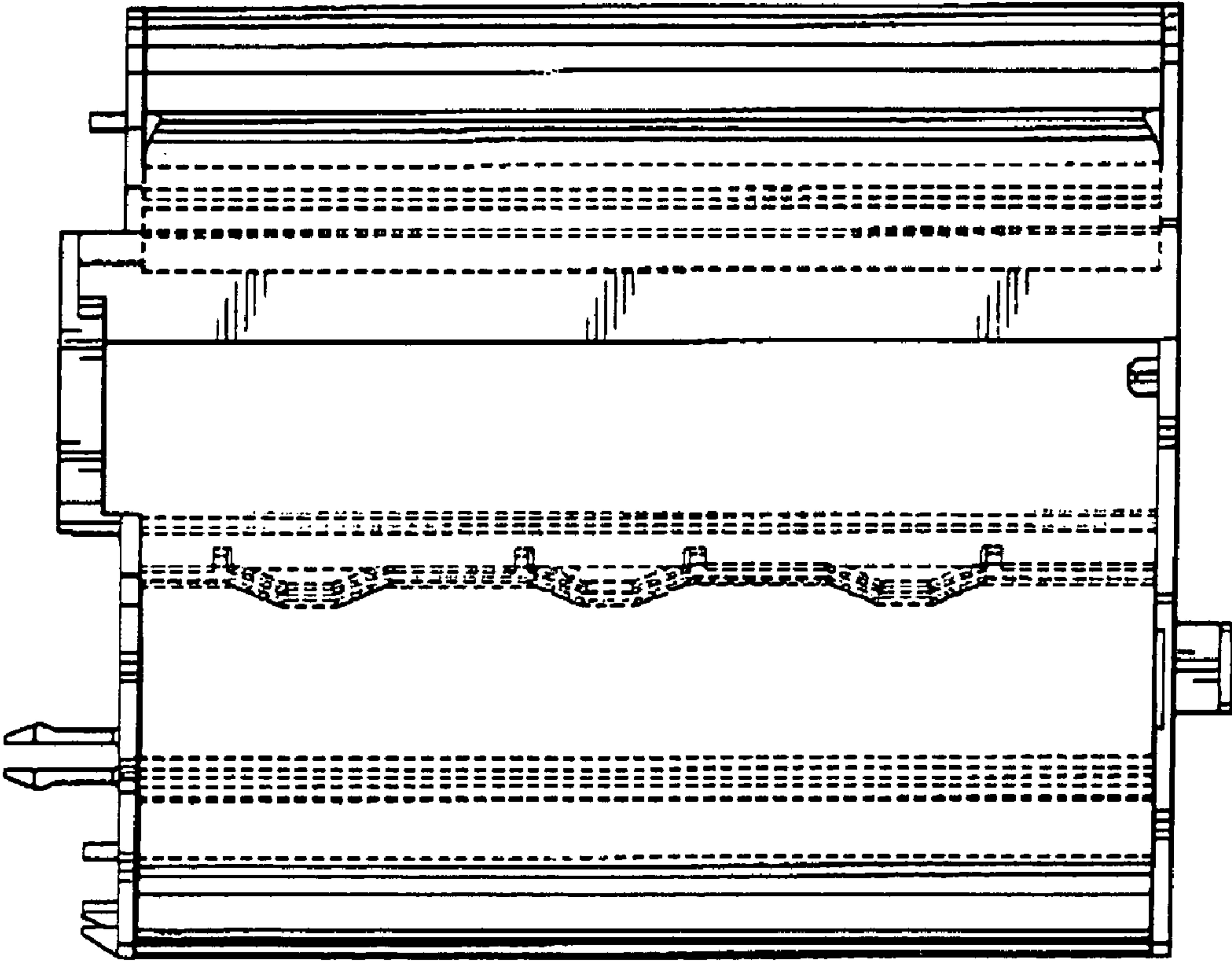


FIG. 7