



US00D599834S

(12) **United States Design Patent**
Cheng et al.

(10) **Patent No.:** **US D599,834 S**

(45) **Date of Patent:** **** Sep. 8, 2009**

(54) **PROJECTOR**

(75) Inventors: **Jung Ching Cheng**, Tu-Cheng (TW);
Kun Wei Tsai, Tu-Cheng (TW)

(73) Assignee: **Cheng Uei Precision Industry Co., Ltd.**, Taipei Hsien (TW)

(**) Term: **14 Years**

(21) Appl. No.: **29/309,517**

(22) Filed: **Aug. 26, 2008**

(51) **LOC (9) Cl.** **16-02**

(52) **U.S. Cl.** **D16/229**

(58) **Field of Classification Search** D16/221,
D16/225, 230-231, 234-235, 205, 208, 213;
D21/514; 353/115, 119, 122; 352/242-243
See application file for complete search history.

(56) **References Cited**

U.S. PATENT DOCUMENTS

- D491,971 S * 6/2004 Oross et al. D16/225
- D498,782 S * 11/2004 Ooshima D16/235
- 7,059,732 B2 * 6/2006 Oross et al. 353/119
- D564,559 S * 3/2008 Stephens et al. D16/208

* cited by examiner

Primary Examiner—Ian Simmons

Assistant Examiner—Wan Laymon

(74) *Attorney, Agent, or Firm*—Rosenberg, Klein & Lee

(57) **CLAIM**

The ornamental design for a projector, as shown and described.

DESCRIPTION

FIG. 1 is a perspective view of a projector showing our new design;

FIG. 2 is a front elevational view thereof;

FIG. 3 is a rear elevational view thereof;

FIG. 4 is a left side elevational view thereof;

FIG. 5 is a right side elevational view thereof;

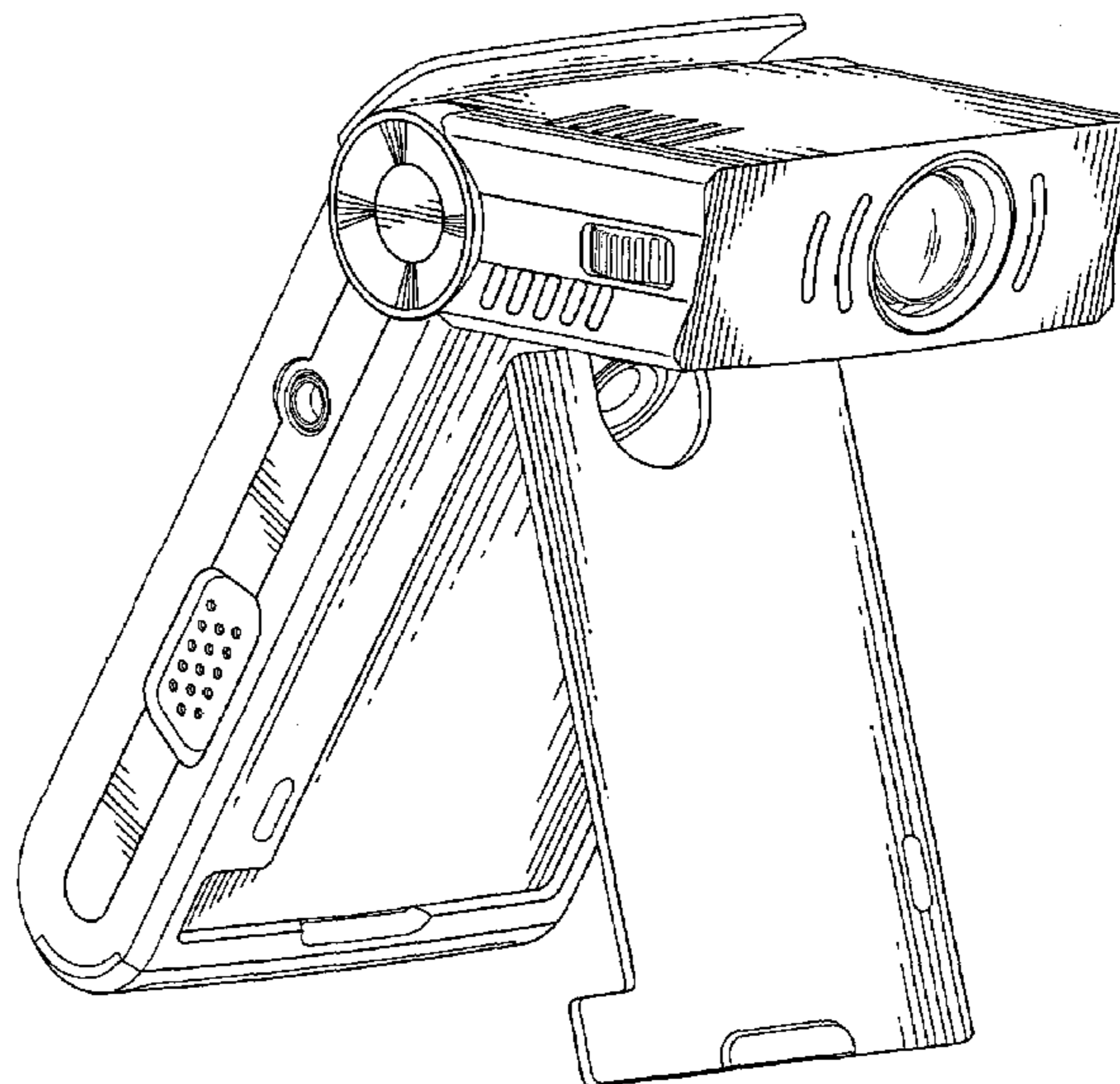
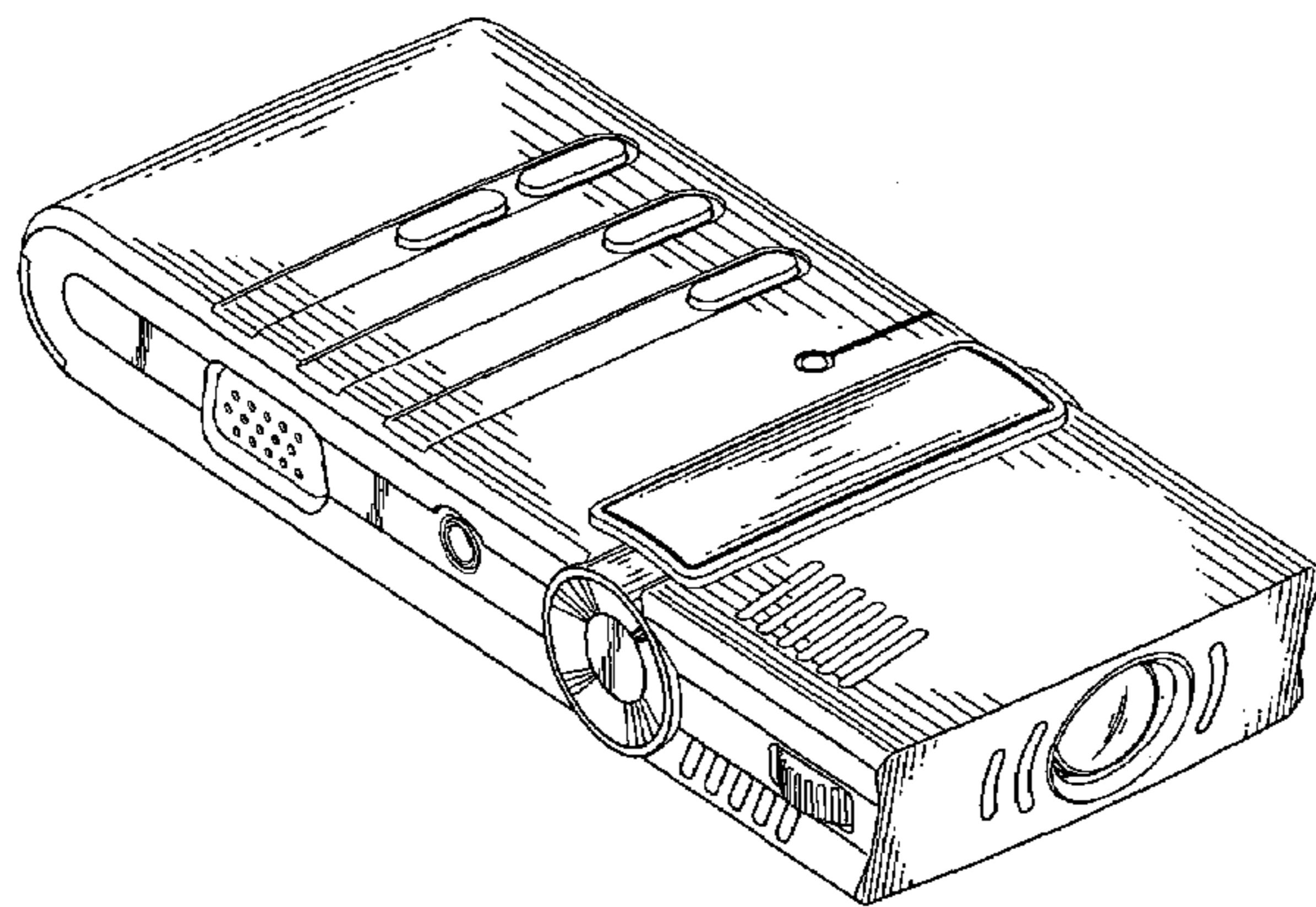
FIG. 6 is a top plan view thereof;

FIG. 7 is a bottom plan view thereof;

FIG. 8 is a bottom perspective view thereof; and,

FIG. 9 is a perspective view showing the projector in a using state.

1 Claim, 9 Drawing Sheets



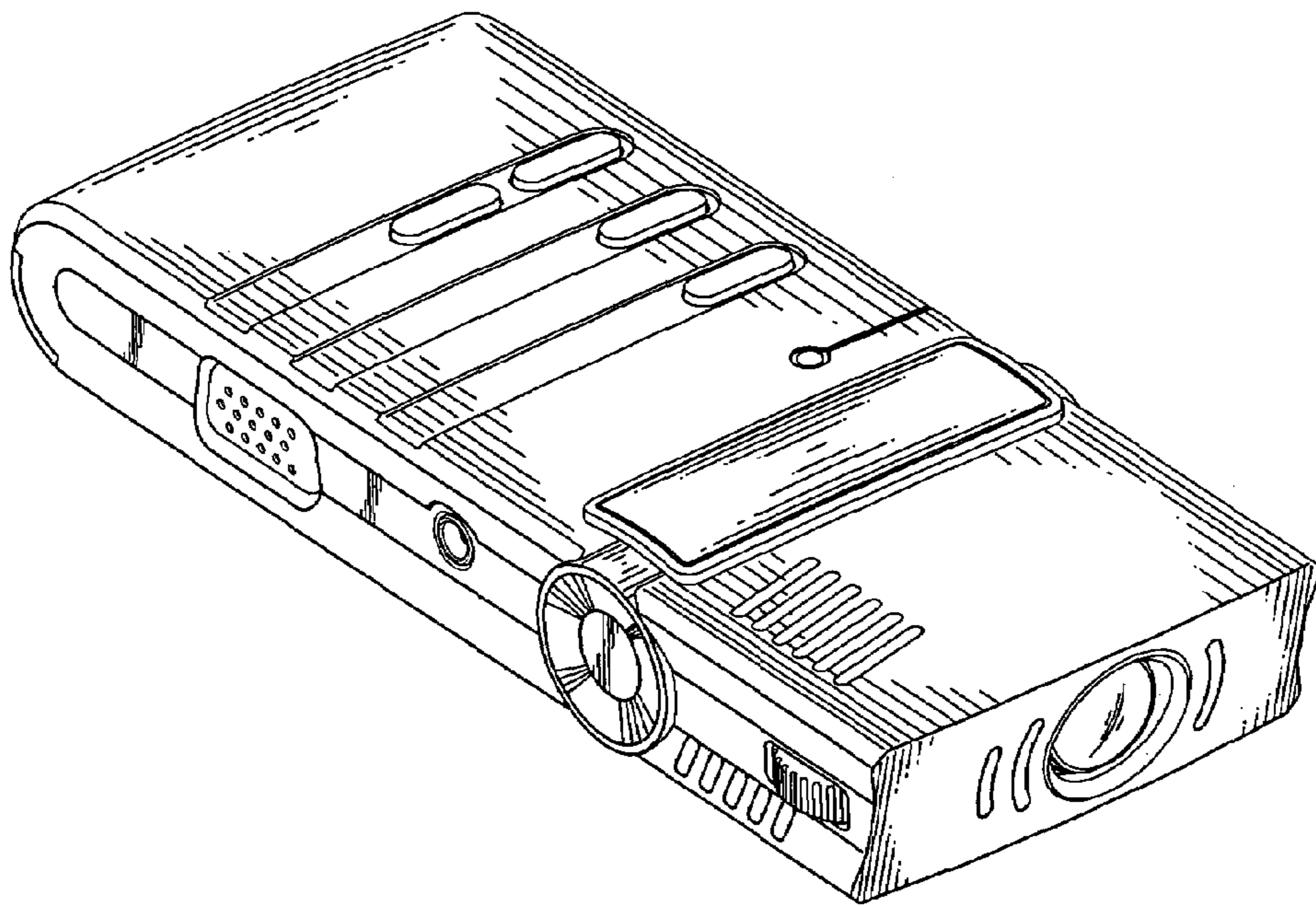


FIG. 1

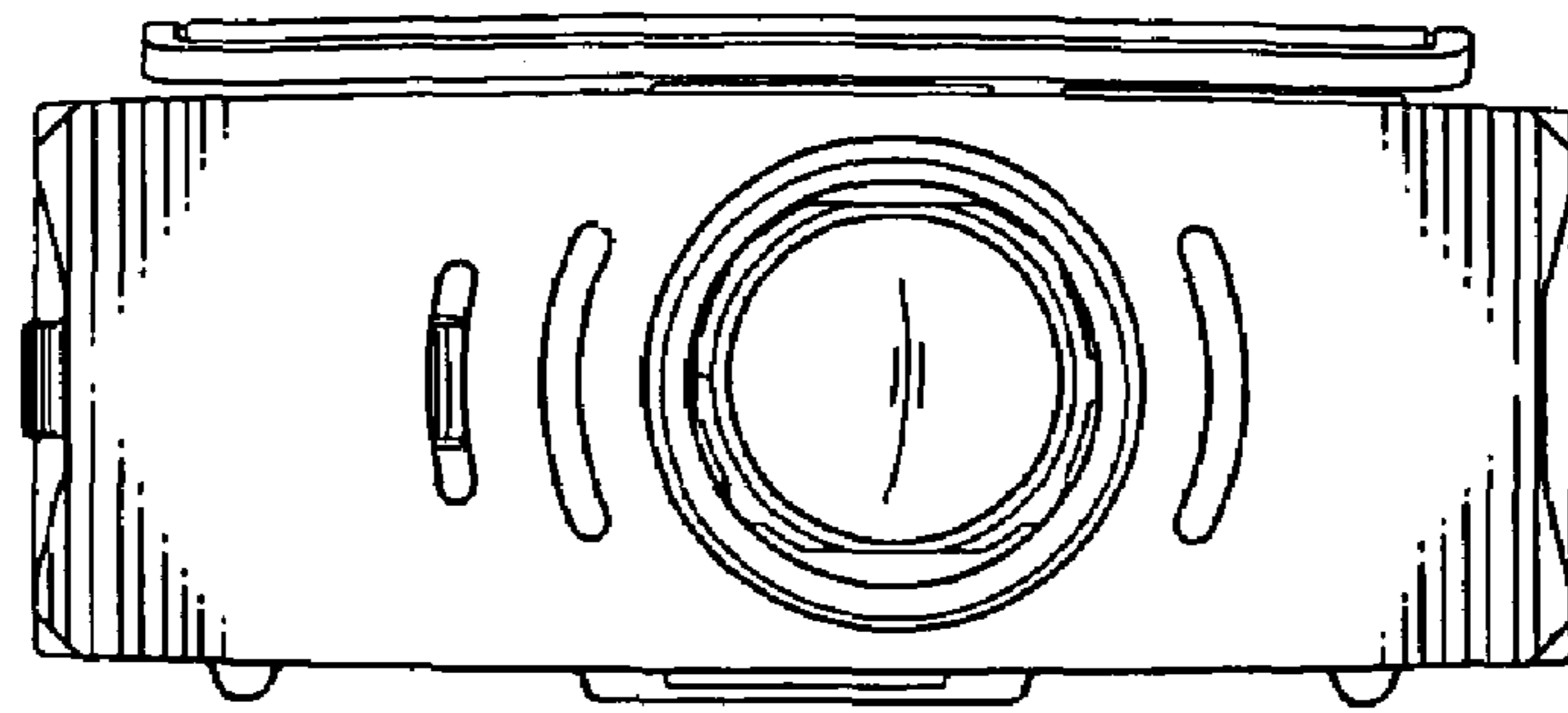


FIG. 2

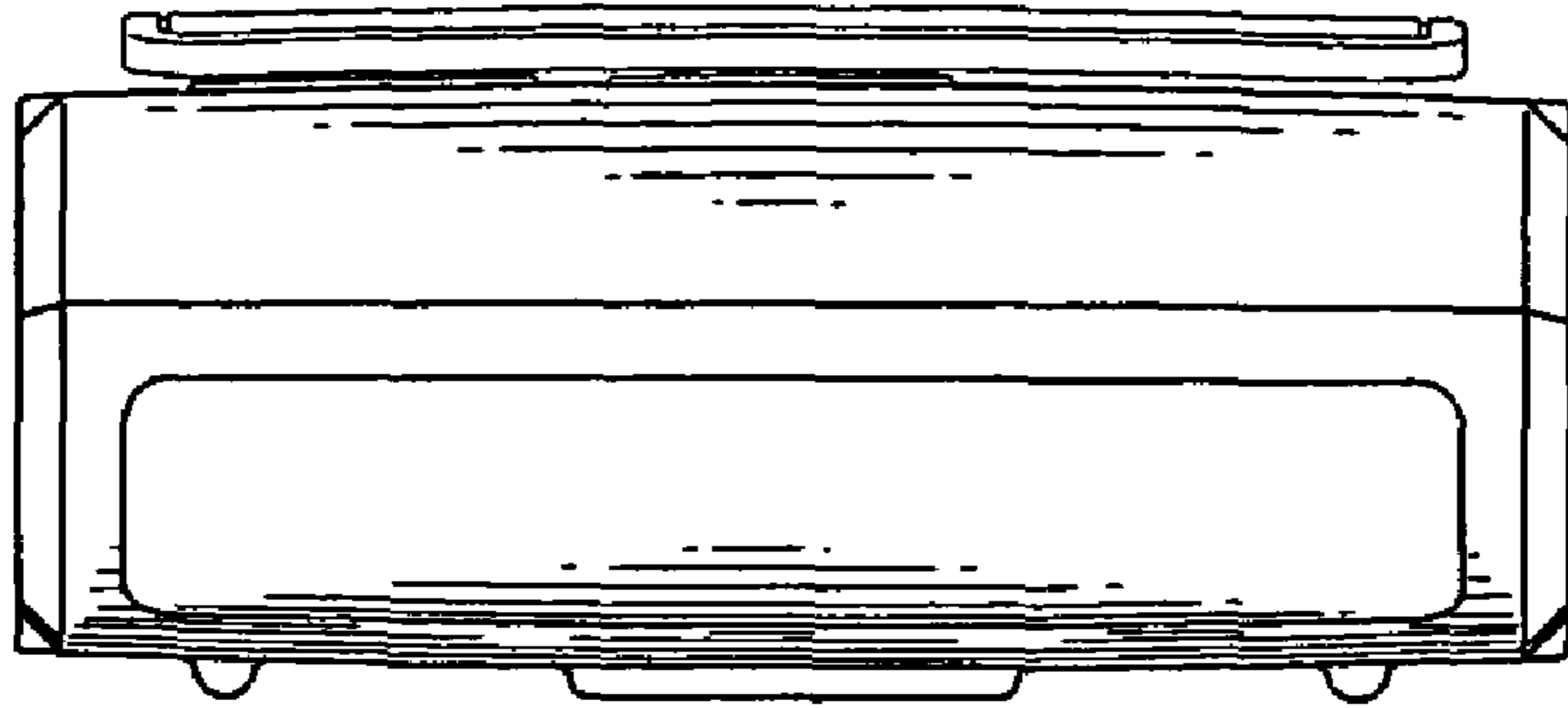


FIG. 3

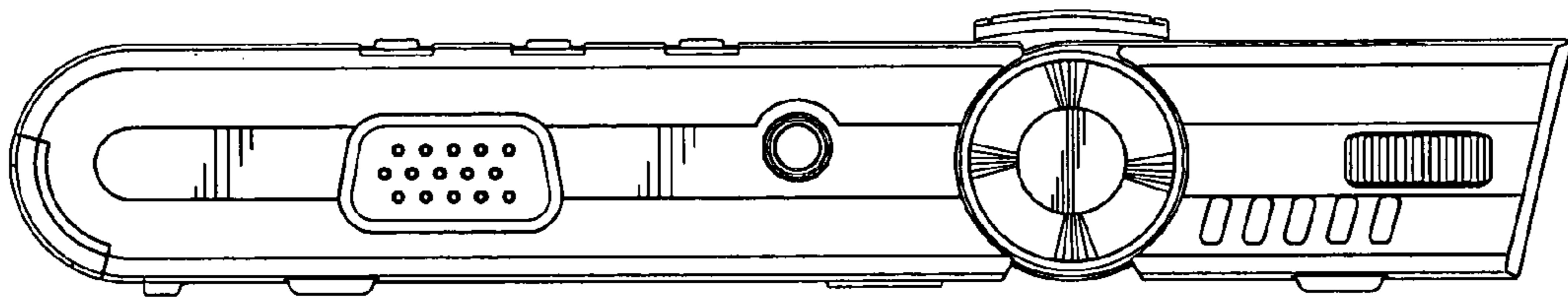


FIG. 4

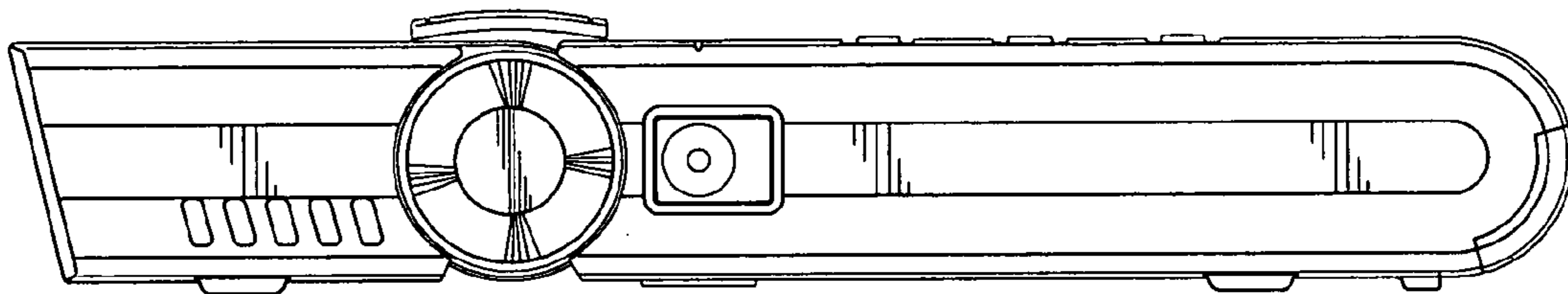


FIG. 5

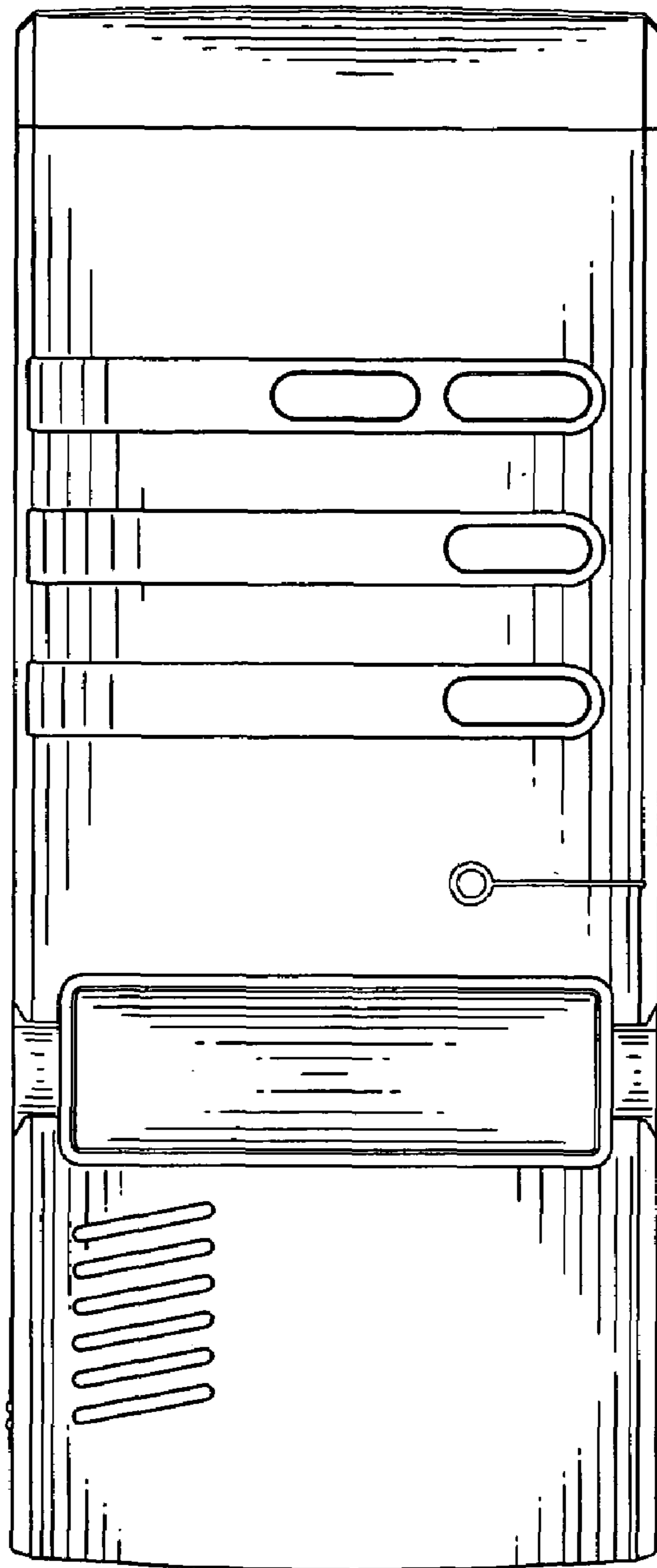


FIG. 6

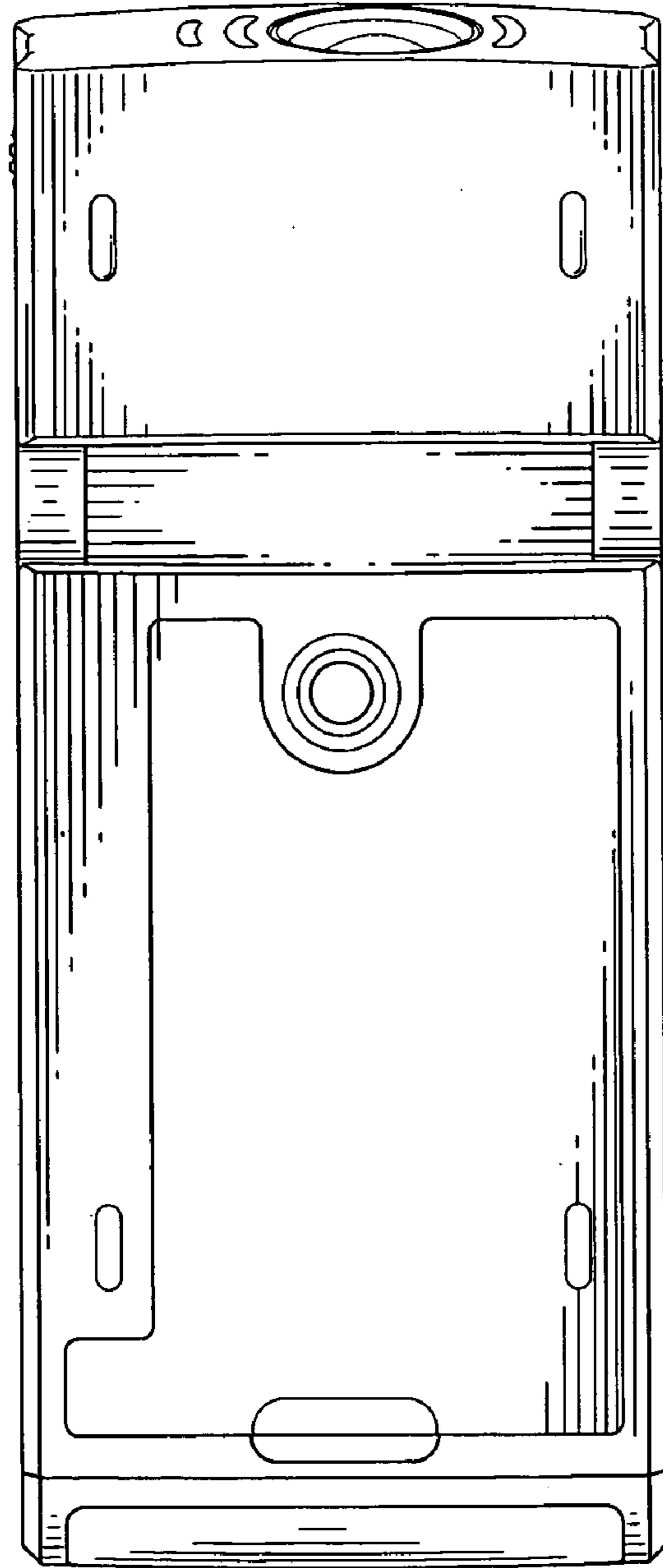


FIG. 7

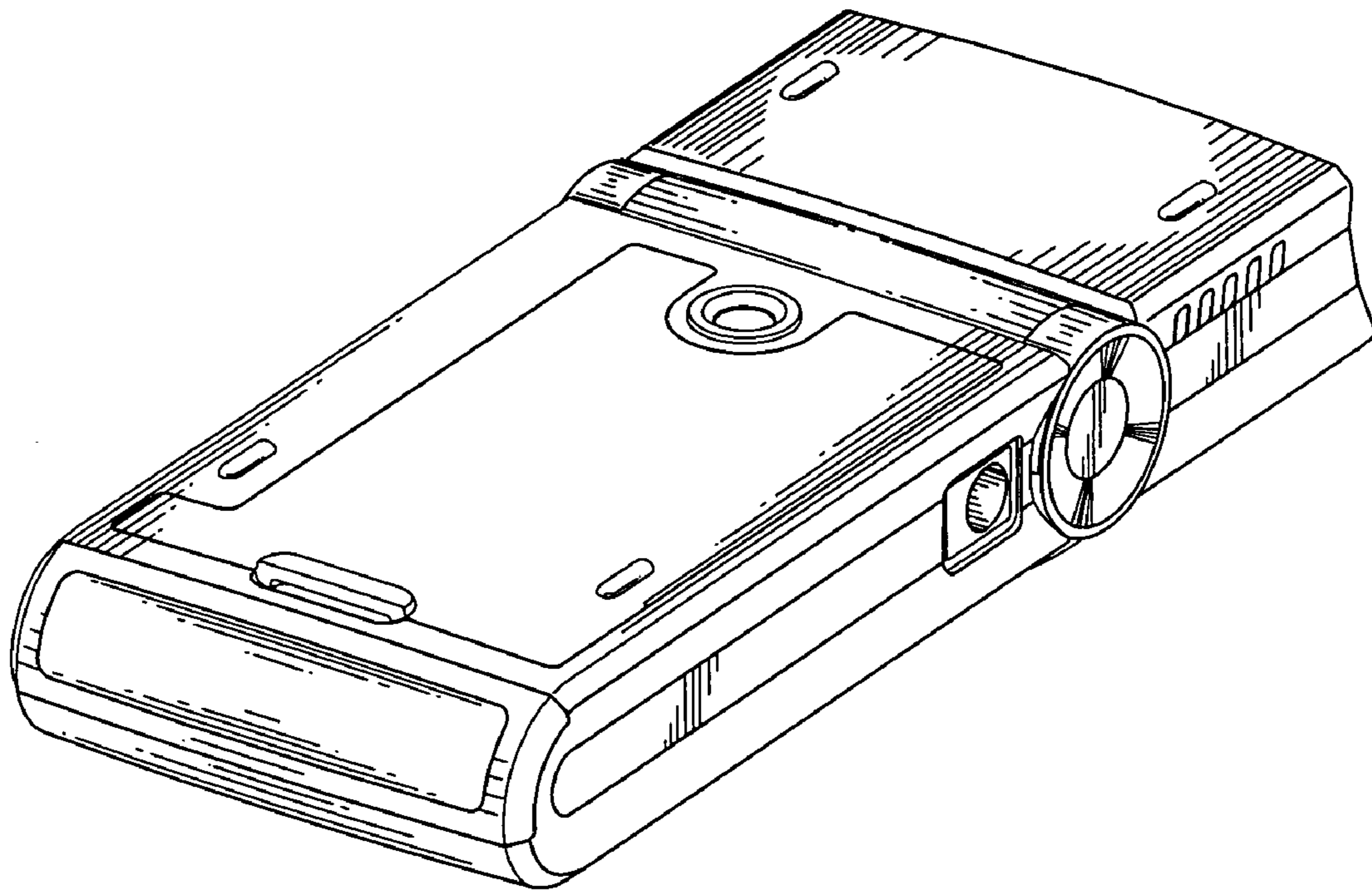


FIG. 8

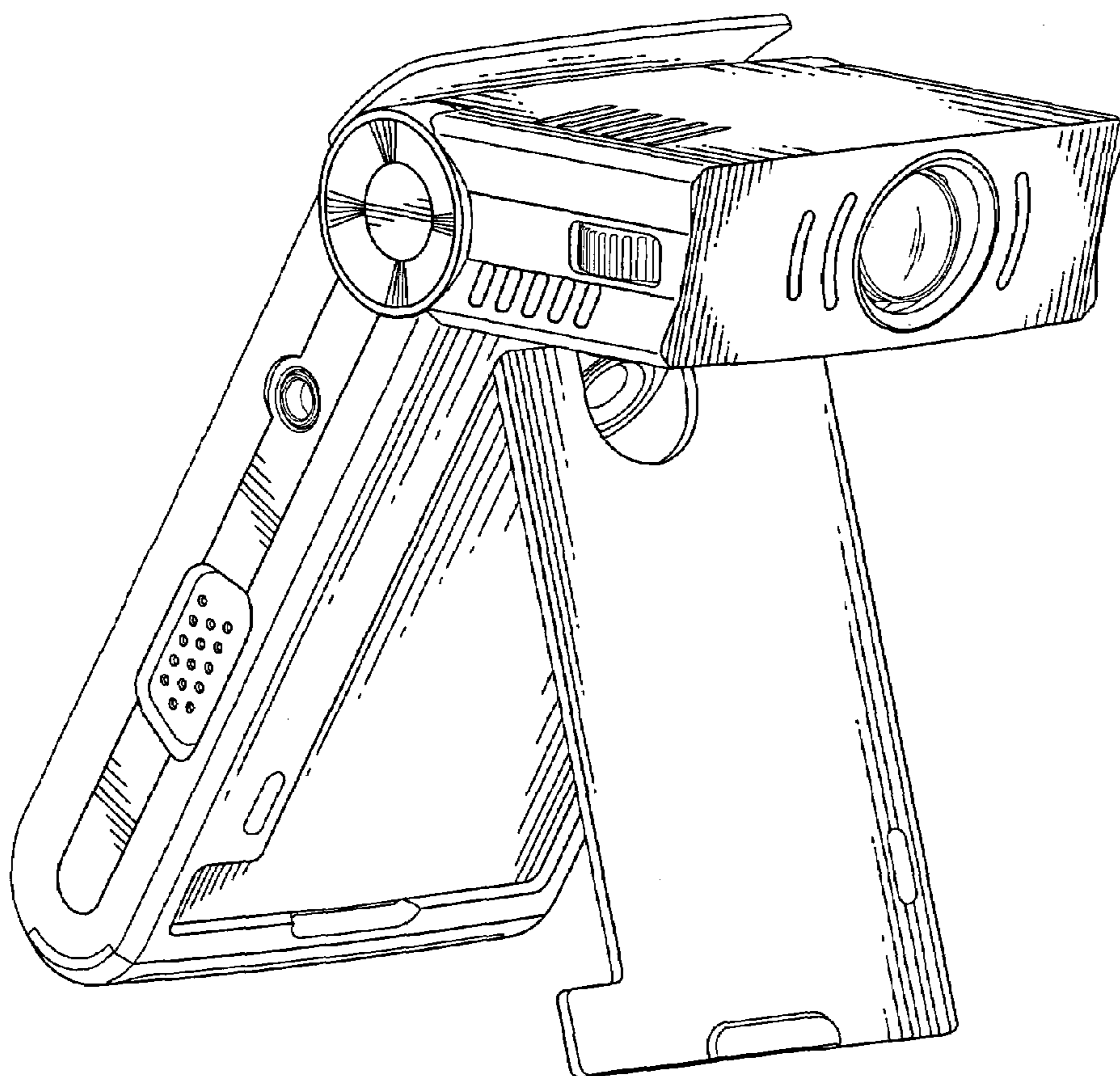


FIG. 9