



US00D599832S

(12) **United States Design Patent**
Chapin et al.

(10) **Patent No.:** **US D599,832 S**

(45) **Date of Patent:** **** Sep. 8, 2009**

(54) **BENCHTOP INSTRUMENT HOUSING**

2005/0078468 A1* 4/2005 DiPoala 361/818
2005/0276026 A1* 12/2005 Lim et al. 361/752

(75) Inventors: **David Schoch Chapin**, Raleigh, NC
(US); **Daniel M. Stipe**, Raleigh, NC
(US)

* cited by examiner

(73) Assignee: **Advanced Liquid Logic, Inc.**, Research
Triangle Park, NC (US)

Primary Examiner—Sandra Snapp
Assistant Examiner—Patricia Palasik
(74) *Attorney, Agent, or Firm*—William A. Barrett; Ward and
Smith, P.A.; E. Eric Mills

(**) Term: **14 Years**

(57) **CLAIM**

(21) Appl. No.: **29/304,063**

The ornamental design for a benchtop instrument housing, as
shown and described.

(22) Filed: **Feb. 25, 2008**

(51) **LOC (9) Cl.** **15-99**

DESCRIPTION

(52) **U.S. Cl.** **D15/199**

(58) **Field of Classification Search** D10/46,
D10/81; D15/138, 199; D24/186; 174/50;
220/4.02; 324/102, 112, 121 R; 340/487,
340/734, 747, 798; 361/796, 801, 802, 812,
361/818

FIG. 1 is a top front right side perspective view of a benchtop
instrument housing showing a new design;

FIG. 2 is a right side view thereof;

FIG. 3 is a left side view thereof;

FIG. 4 is a front view thereof;

FIG. 5 is a rear view thereof;

FIG. 6 is a top view thereof; and,

FIG. 7 is a bottom view thereof.

See application file for complete search history.

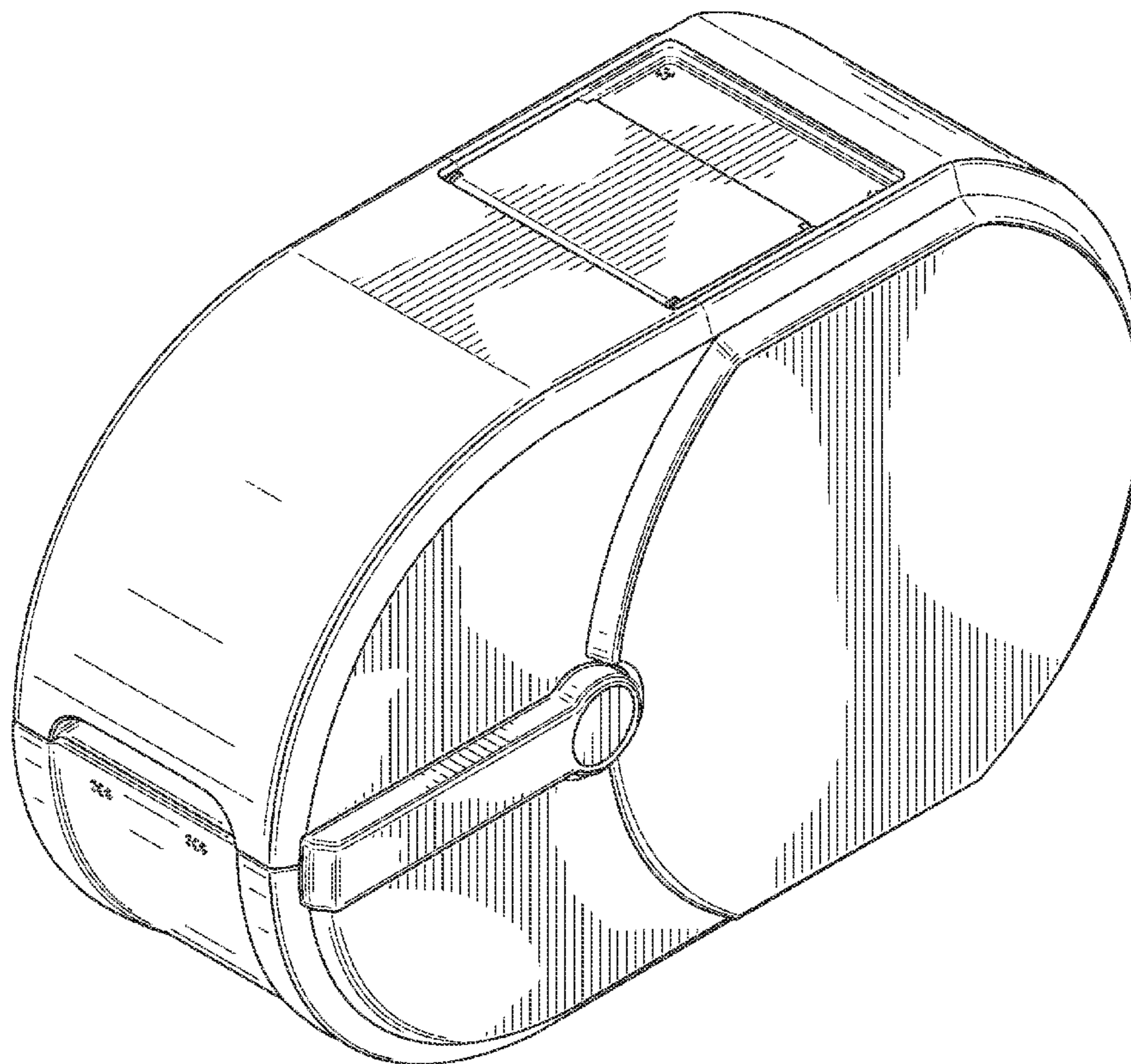
The broken lines in the drawings depict unclaimed environ-
mental subject matter.

(56) **References Cited**

U.S. PATENT DOCUMENTS

D261,034 S * 9/1981 Armbruster D24/186
D472,171 S * 3/2003 Wisley et al. D10/76
6,720,776 B2 * 4/2004 Anderson et al. 324/555
D579,569 S * 10/2008 Strawn et al. D24/186

1 Claim, 7 Drawing Sheets



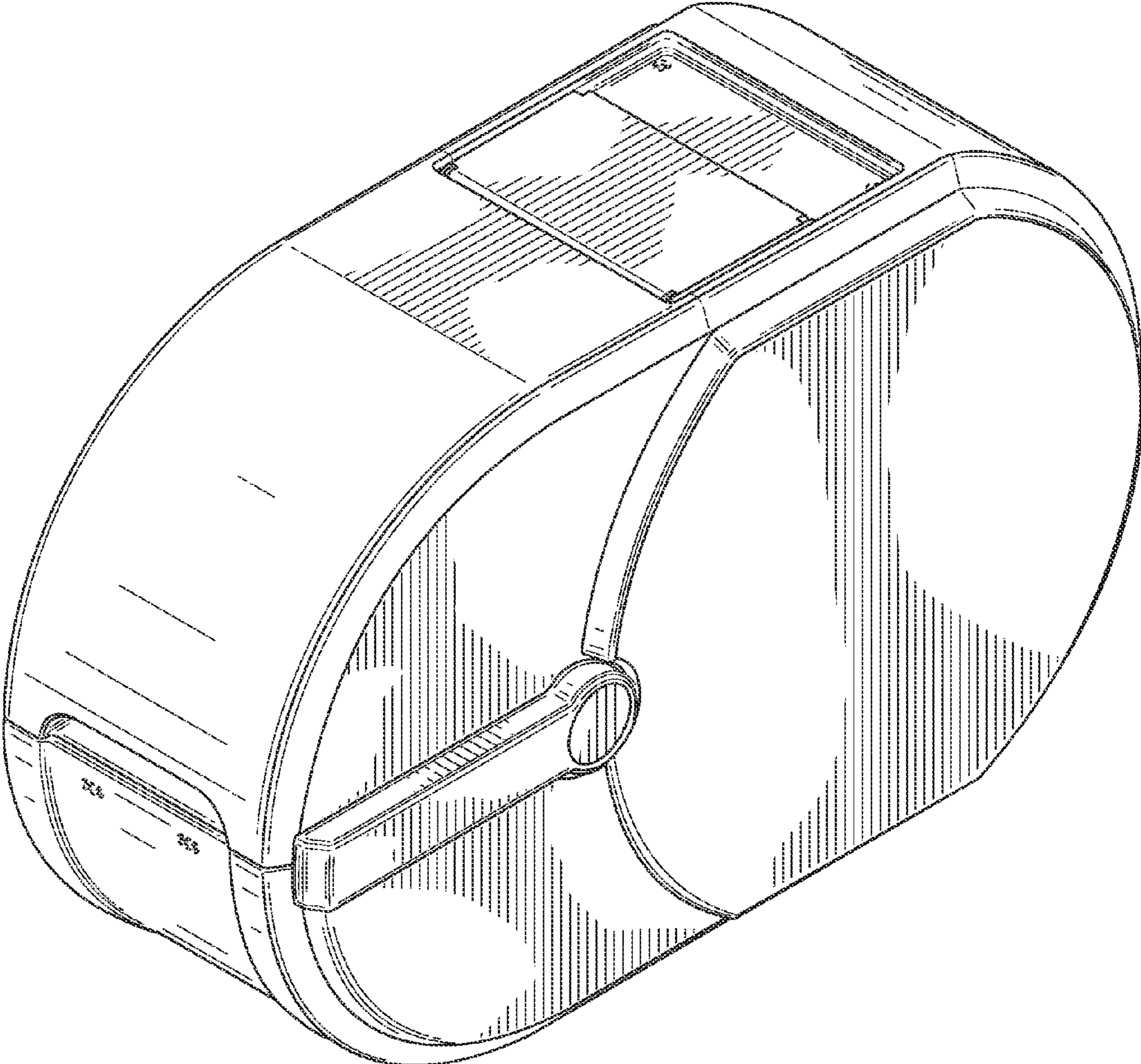


FIG. 1

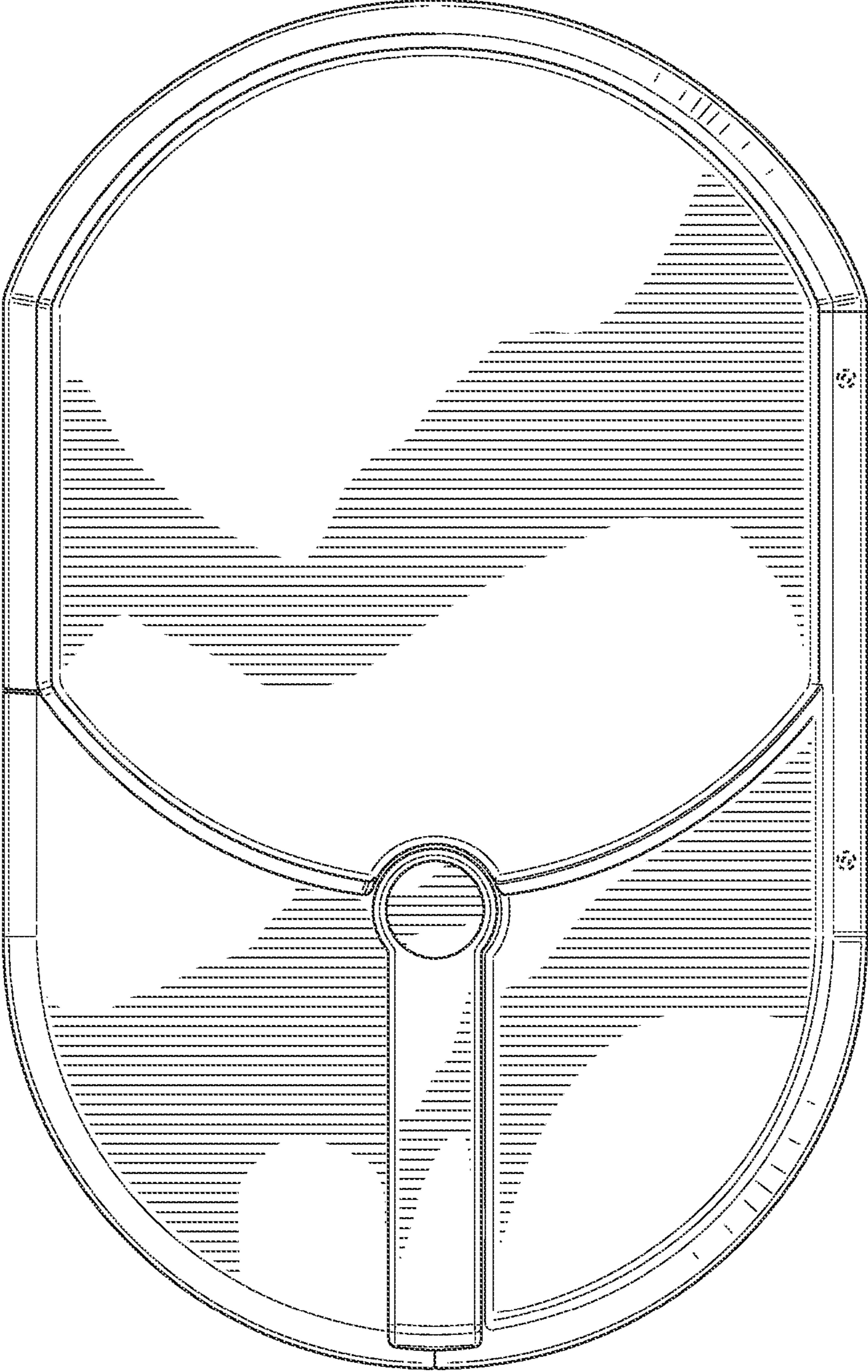


FIG. 2

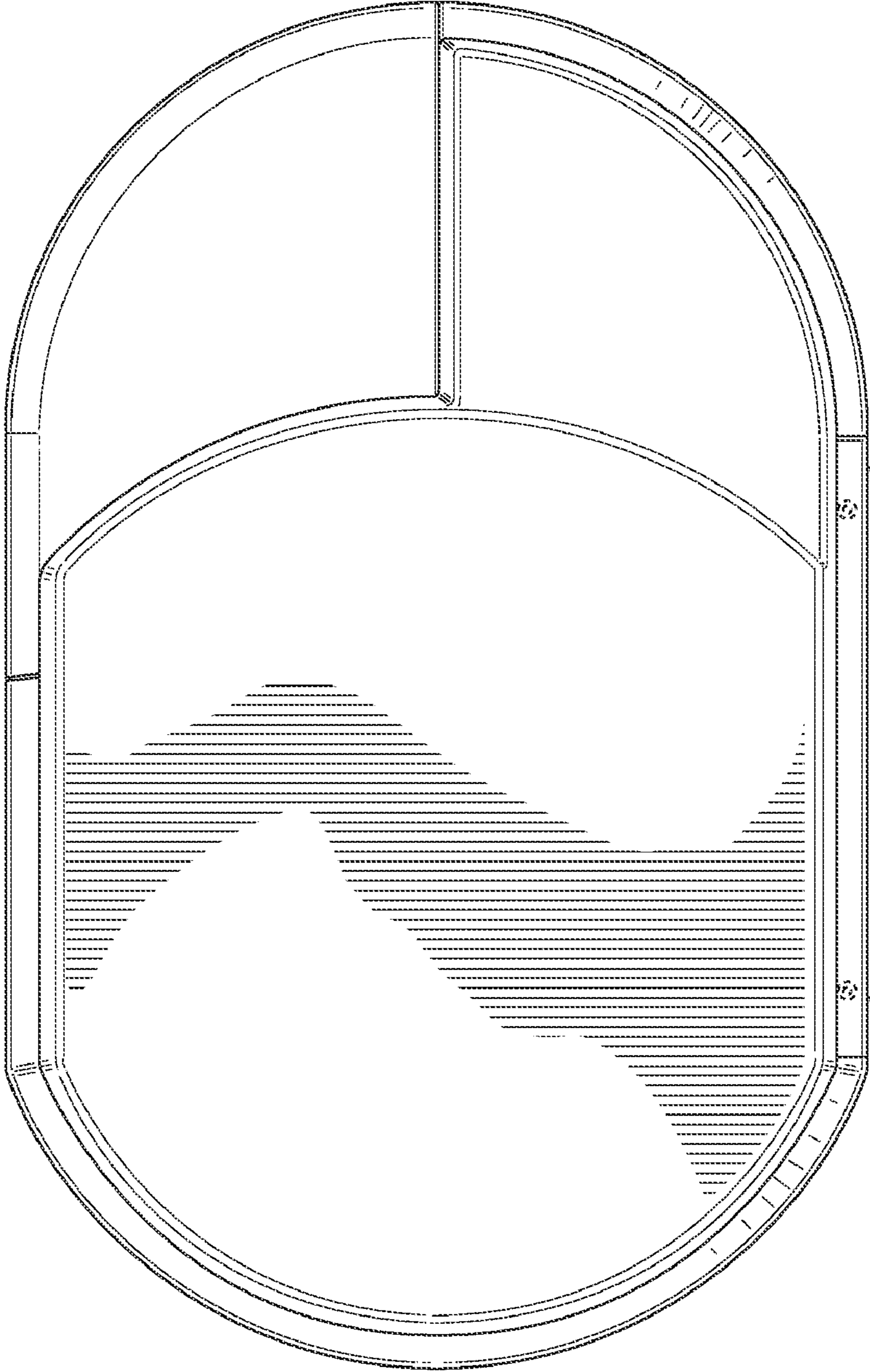


FIG. 3

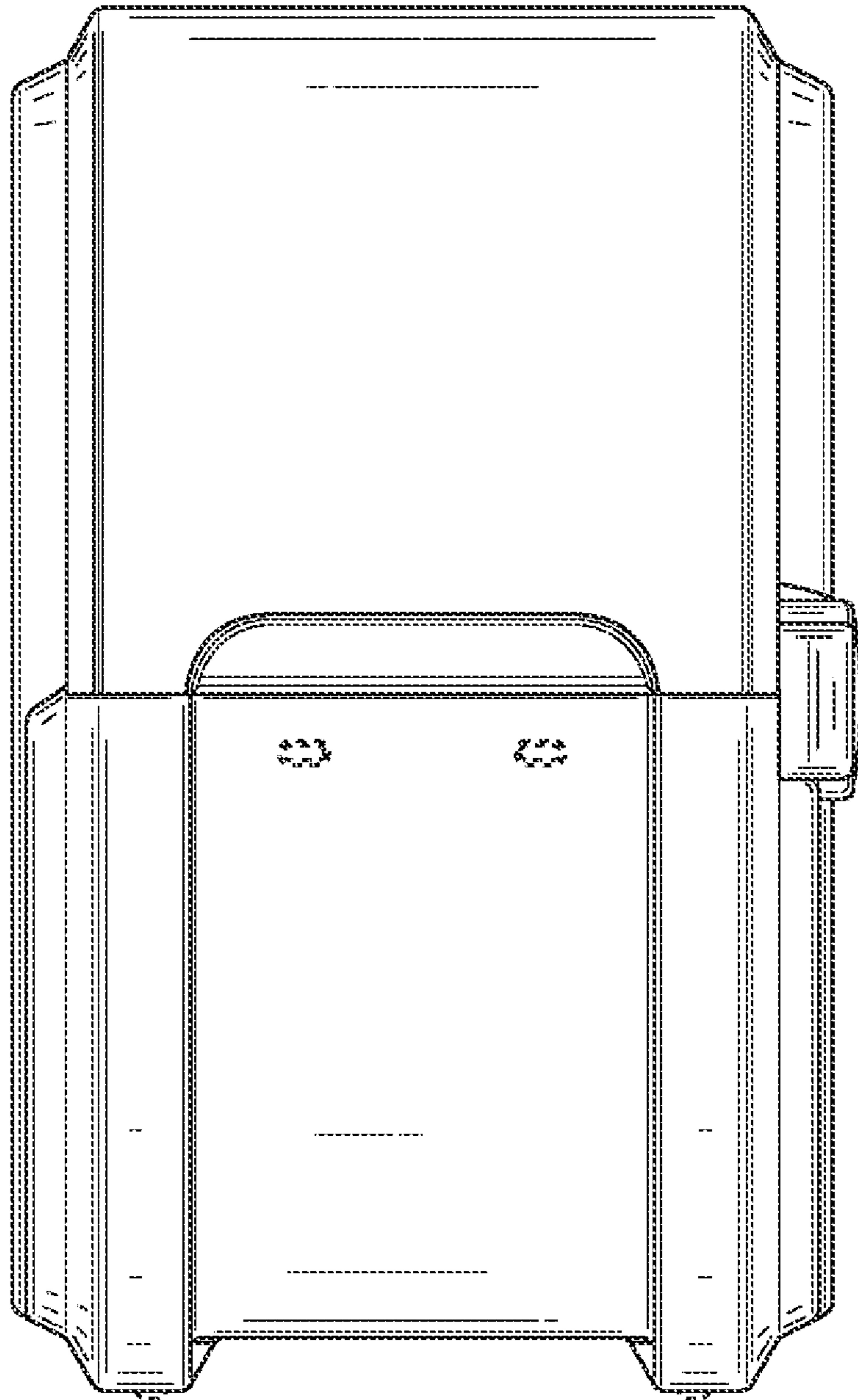


FIG. 4

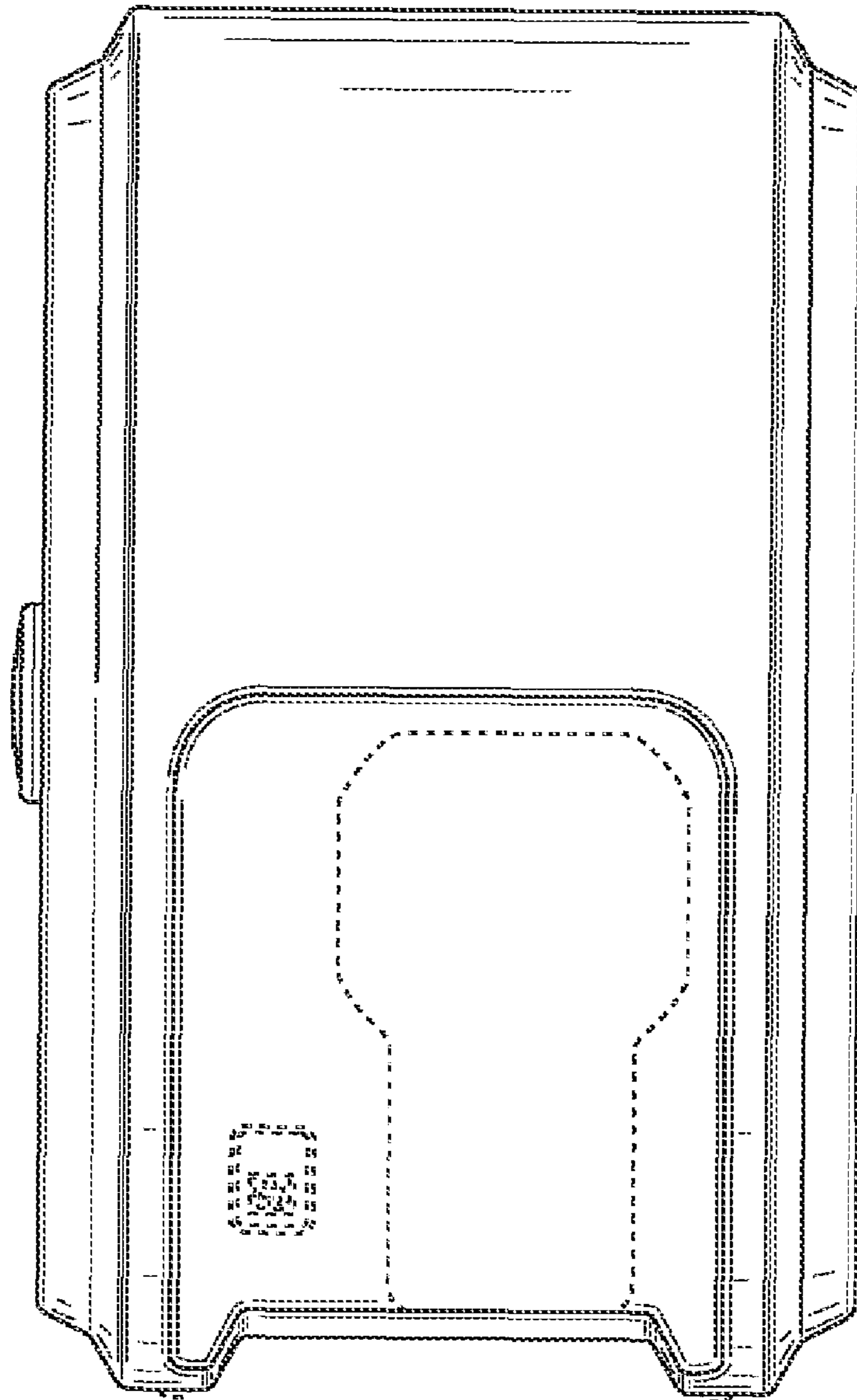


FIG. 5

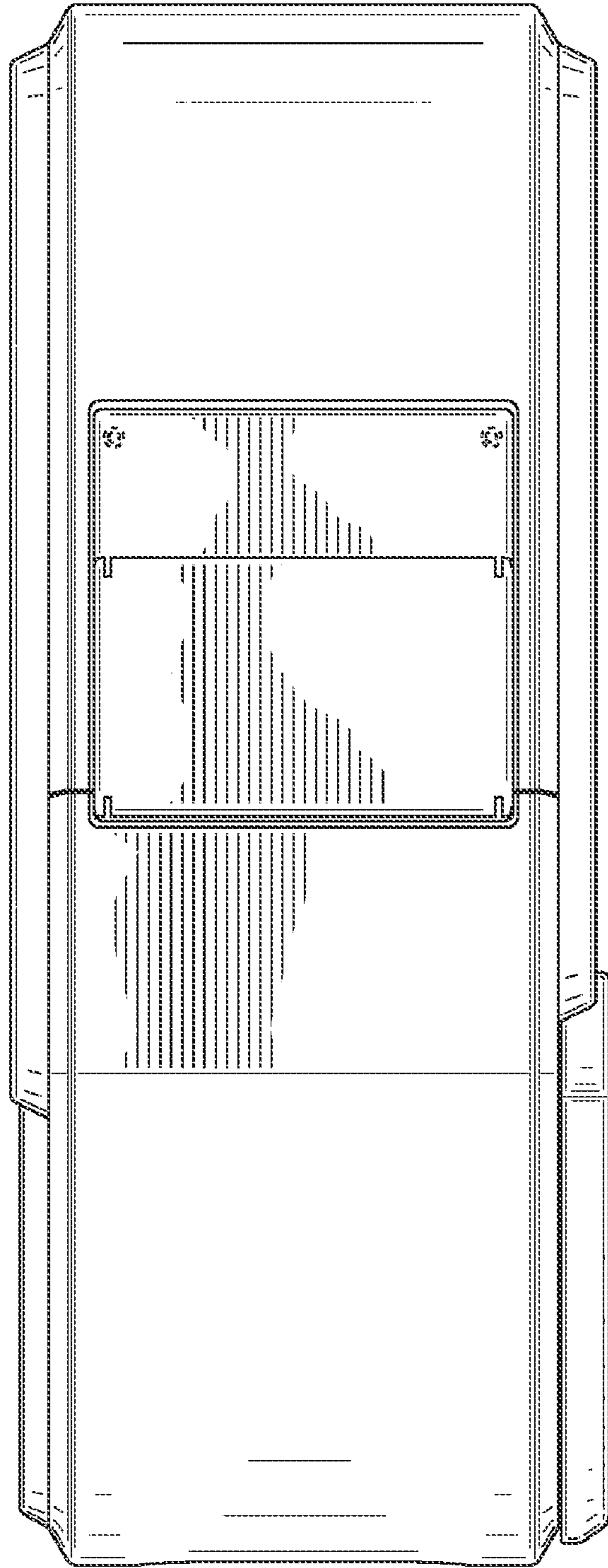


FIG. 6

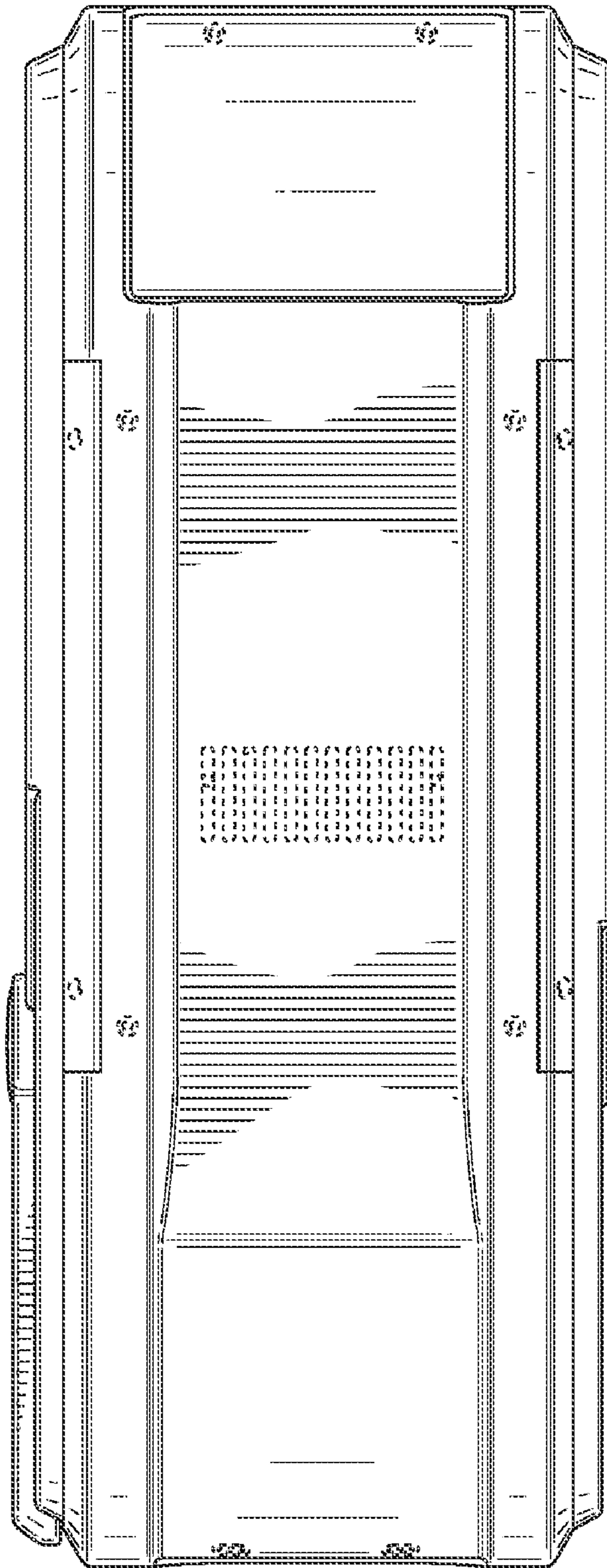


FIG. 7