



US00D599831S

(12) **United States Design Patent**
Rosso et al.

(10) **Patent No.:** **US D599,831 S**
(45) **Date of Patent:** **** Sep. 8, 2009**

(54) **CORNER BEAD ROLLER TOOL**

(75) Inventors: **Aaron Charles Rosso**, Chicago, IL (US); **Matthew Earle Myers**, Naperville, IL (US); **Amar Arvind Patel**, South Barrington, IL (US); **Scott Fong**, Causeway Bay (HK); **Joseph Z. Wascow**, Mundelein, IL (US); **Daniel J. Williams**, Chicago, IL (US); **Brian A. Retzke**, Downers Grove, IL (US)

(73) Assignee: **United States Gypsum Company**, Chicago, IL (US)

(**) Term: **14 Years**

(21) Appl. No.: **29/334,090**

(22) Filed: **Mar. 20, 2009**

Related U.S. Application Data

(60) Division of application No. 29/305,474, filed on Mar. 21, 2008, which is a continuation of application No. 11/868,188, filed on Oct. 5, 2007.

(51) **LOC (9) Cl.** **15-09**

(52) **U.S. Cl.** **D15/138**

(58) **Field of Classification Search** D8/45; D15/135, 136, 137, 138, 199; 15/235.3, 15/235.4, 235.7, 235.8; 29/243.58, 266, 29/560, 560.1; 52/255; 72/176, 178, 182, 72/211, 379.2; 81/485; 156/530, 574, 577, 156/579, 580, 582; 425/458, 460
See application file for complete search history.

(56) **References Cited**

U.S. PATENT DOCUMENTS

2,533,209 A	12/1950	Ames
2,642,783 A	6/1953	Goodrich
3,932,101 A	1/1976	Johnson et al.
4,197,624 A	4/1980	Lass
4,230,441 A	10/1980	Heronema

4,451,223 A	5/1984	Mower et al.
4,767,297 A *	8/1988	Mower et al. 425/87
5,010,618 A *	4/1991	Croft 15/235.7
5,061,232 A	10/1991	Bloch et al.
5,203,954 A	4/1993	Moore
5,368,461 A	11/1994	Murphy
5,544,384 A	8/1996	Forselius et al.
6,282,937 B1	9/2001	Michaud
6,450,232 B1	9/2002	Smythe, Jr.
6,869,492 B1 *	3/2005	Kooistra 425/458
6,957,470 B2	10/2005	Rivadeneira
7,182,587 B1 *	2/2007	Raney 425/87
D583,839 S	12/2008	Rosso et al.
2004/0061373 A1	4/2004	McPherson et al.
2007/0261334 A1	11/2007	Conboy
2008/0155840 A1	7/2008	Winkler

* cited by examiner

Primary Examiner—Sandra Snapp
Assistant Examiner—Patricia Palasik
(74) *Attorney, Agent, or Firm*—Greer, Burns & Crain, Ltd.; David F. Janci, Esq.; Pradip Sahu, Esq.

(57) **CLAIM**

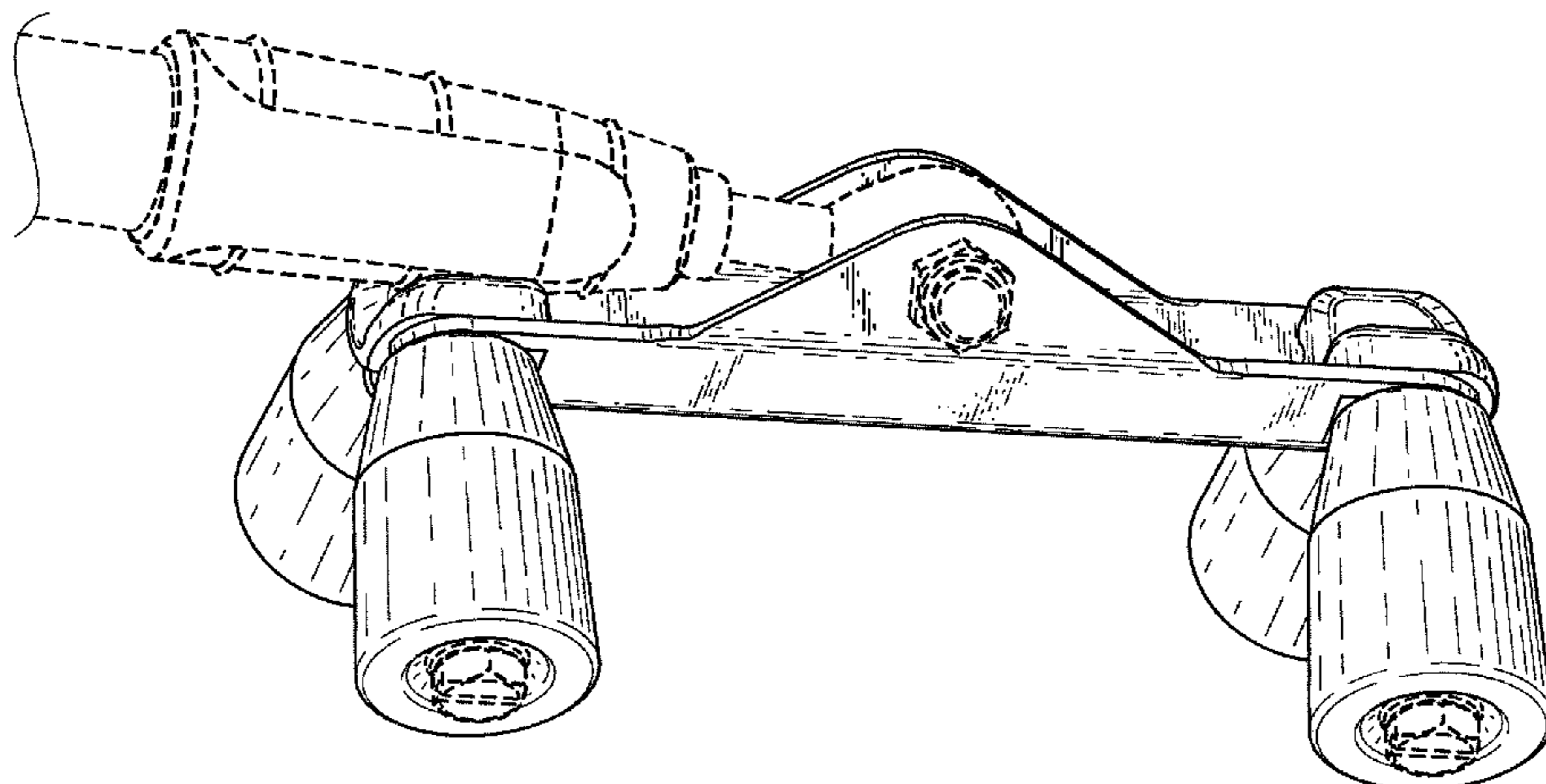
The ornamental design for a corner bead roller tool, as shown and described.

DESCRIPTION

FIG. 1 is a side perspective view of the corner bead roller tool; FIG. 2 is a side view of the corner bead roller tool of FIG. 1, both sides being identical; FIG. 3 is a front view of the same; FIG. 4 is a rear view of the same; FIG. 5 is a top view of the same; and, FIG. 6 is a bottom view of the same.

The structures depicted in broken lines are provided for environment purposes only and do not constitute part of the claimed invention.

1 Claim, 5 Drawing Sheets



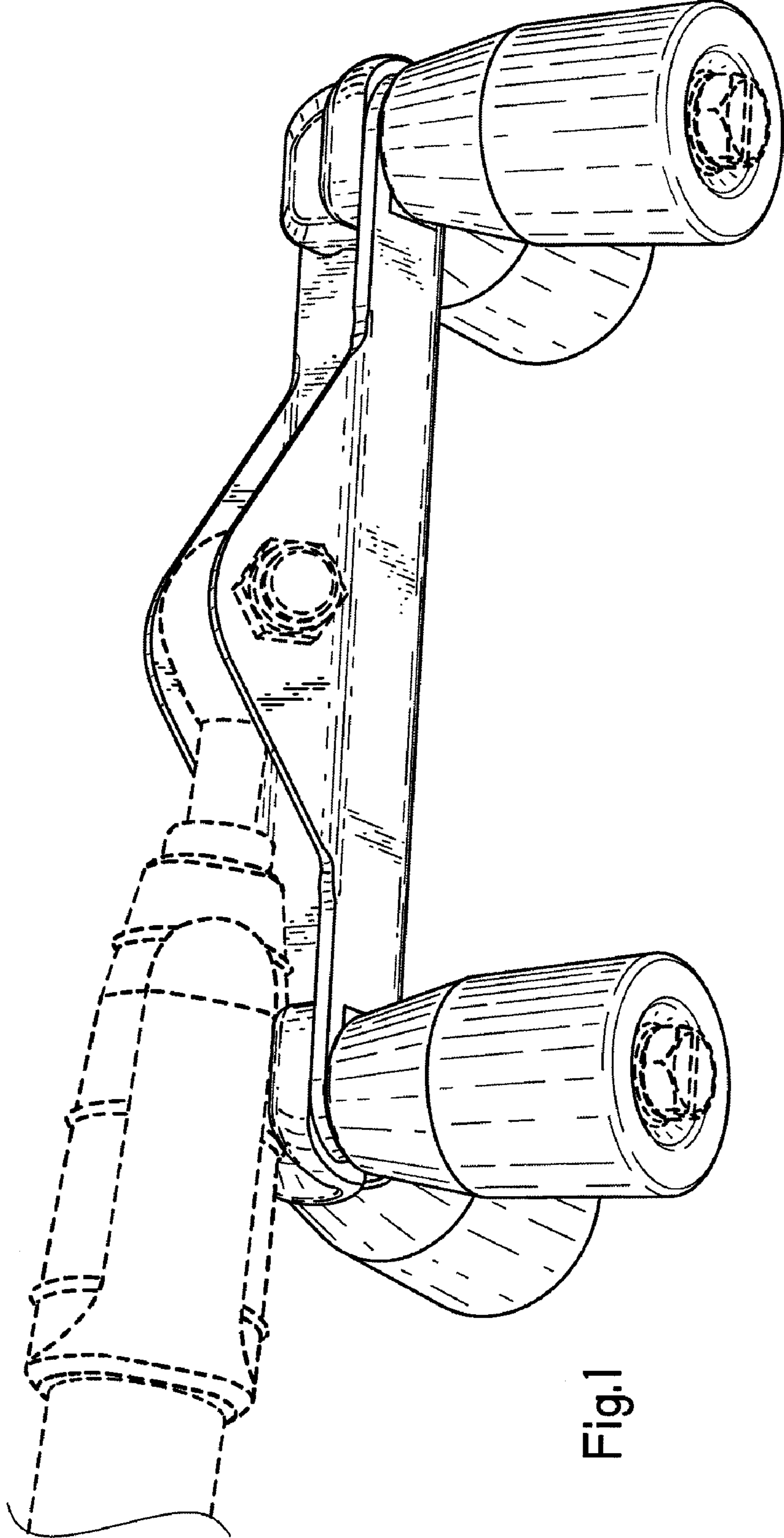


Fig. 1

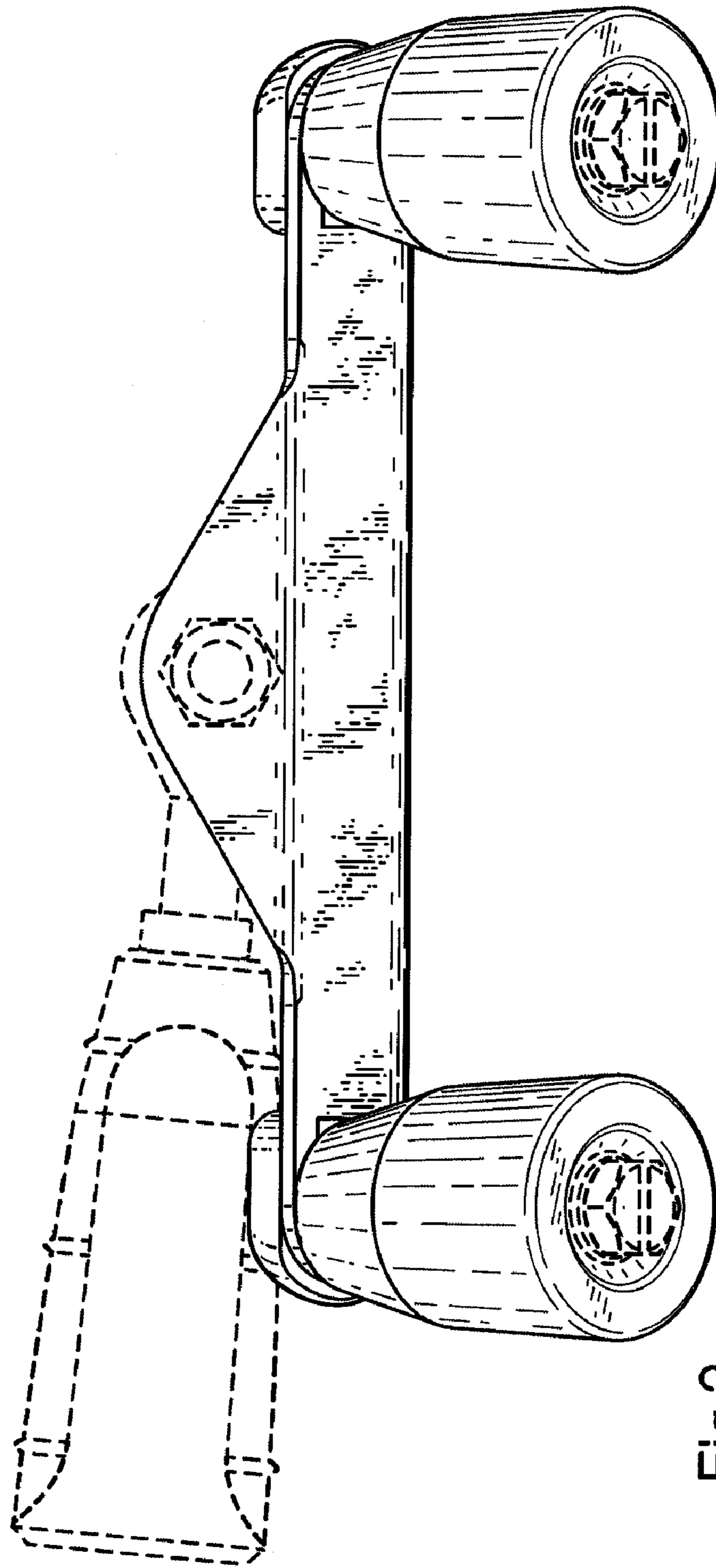


Fig.2

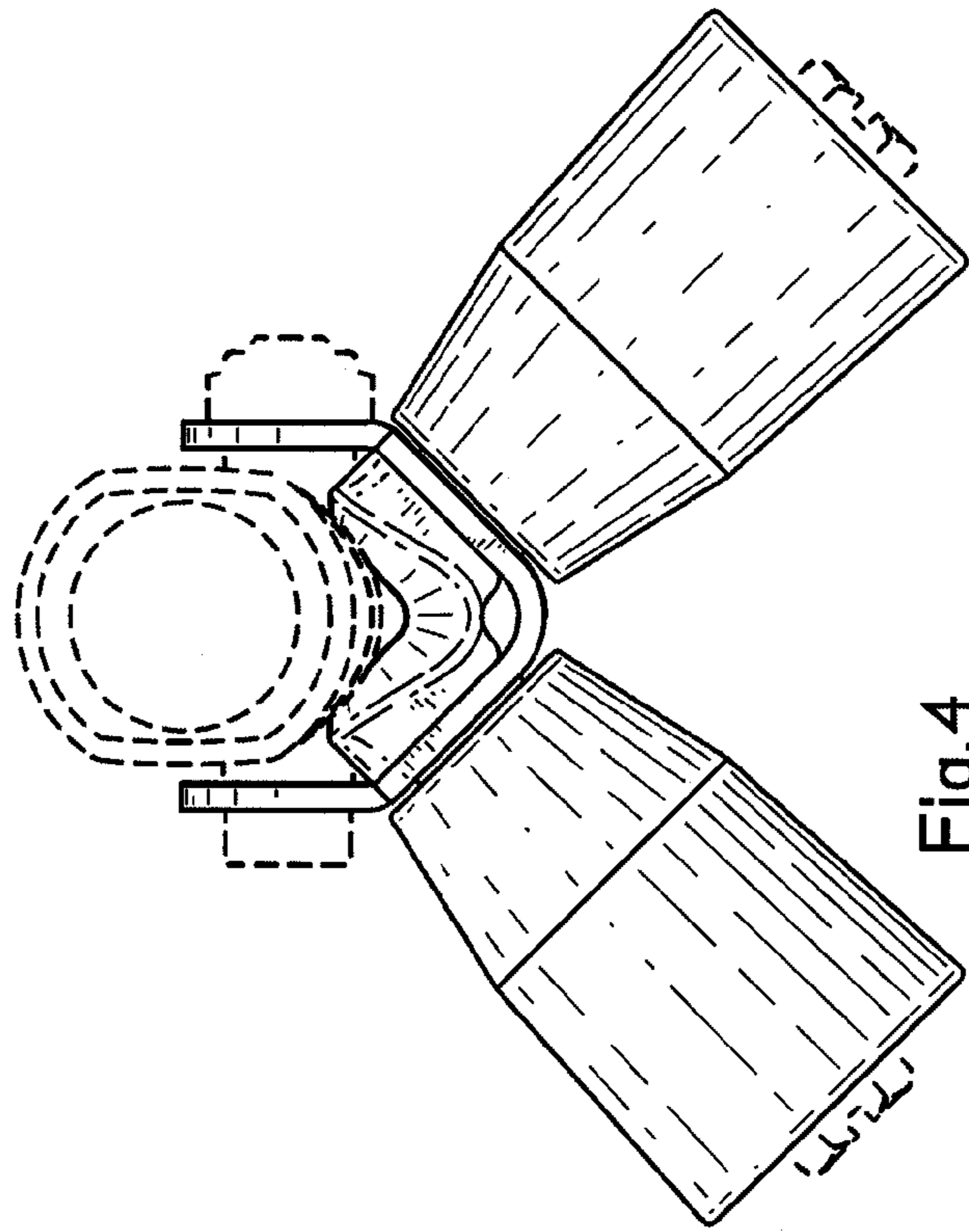


Fig. 4

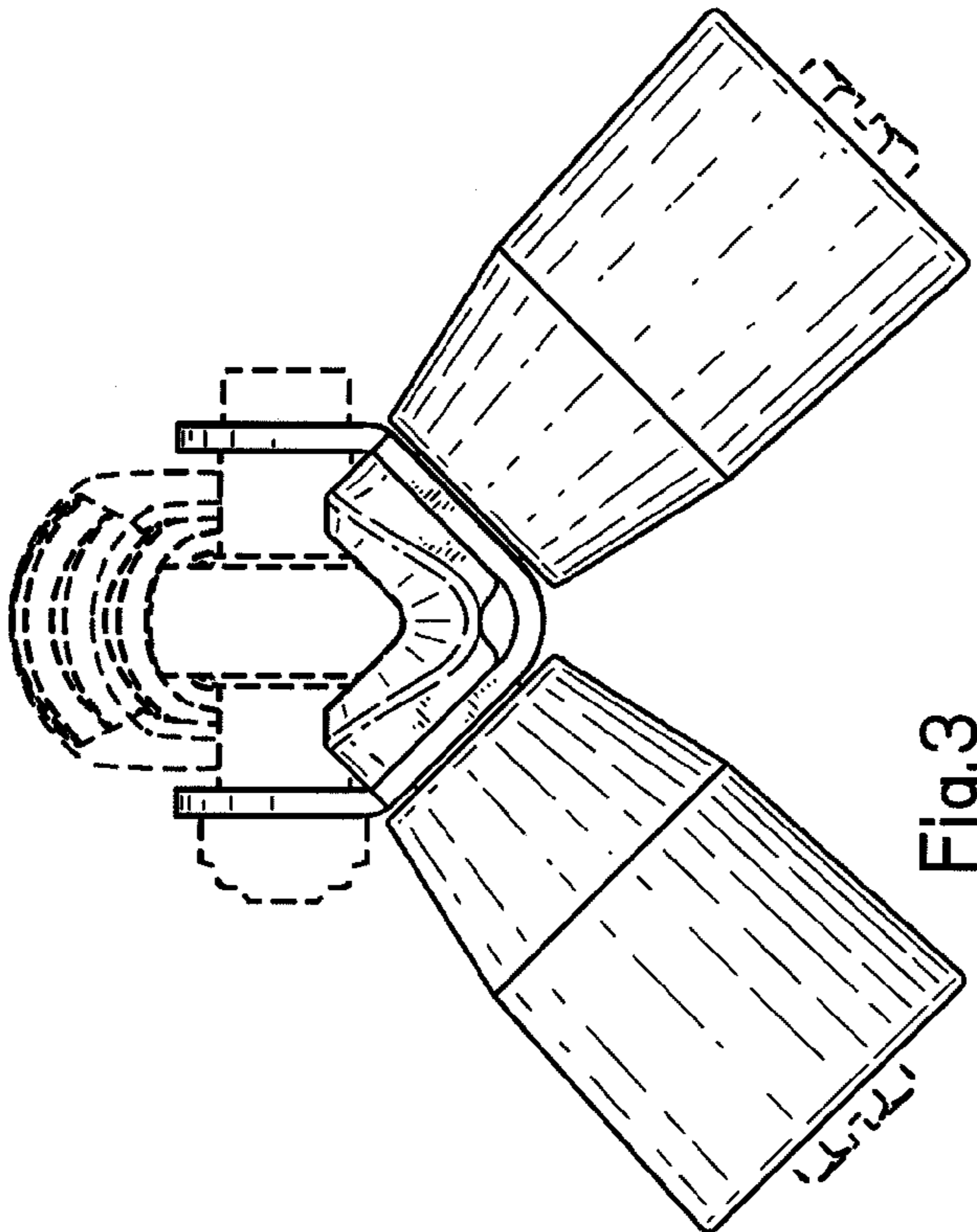


Fig. 3

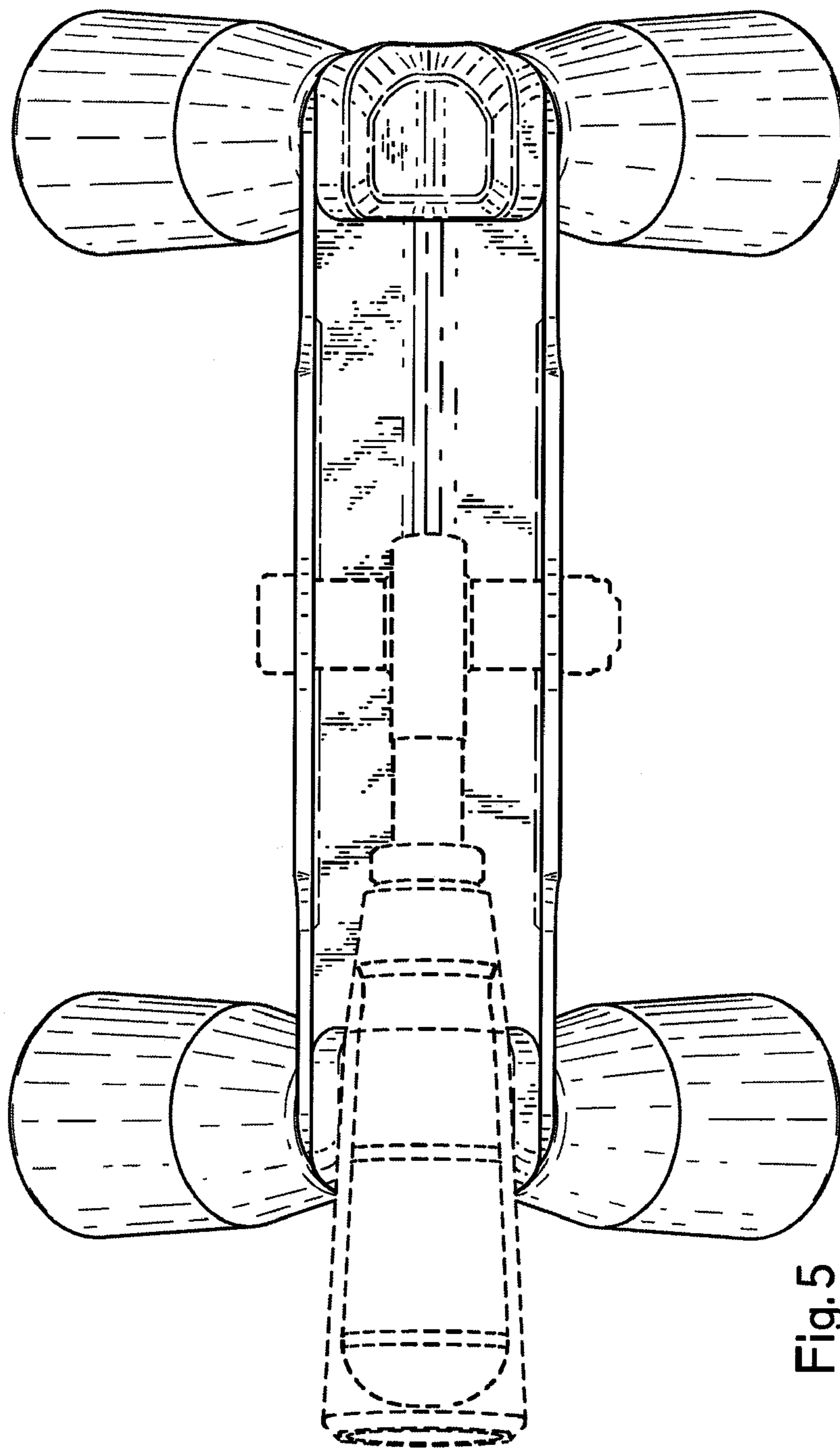


Fig. 5

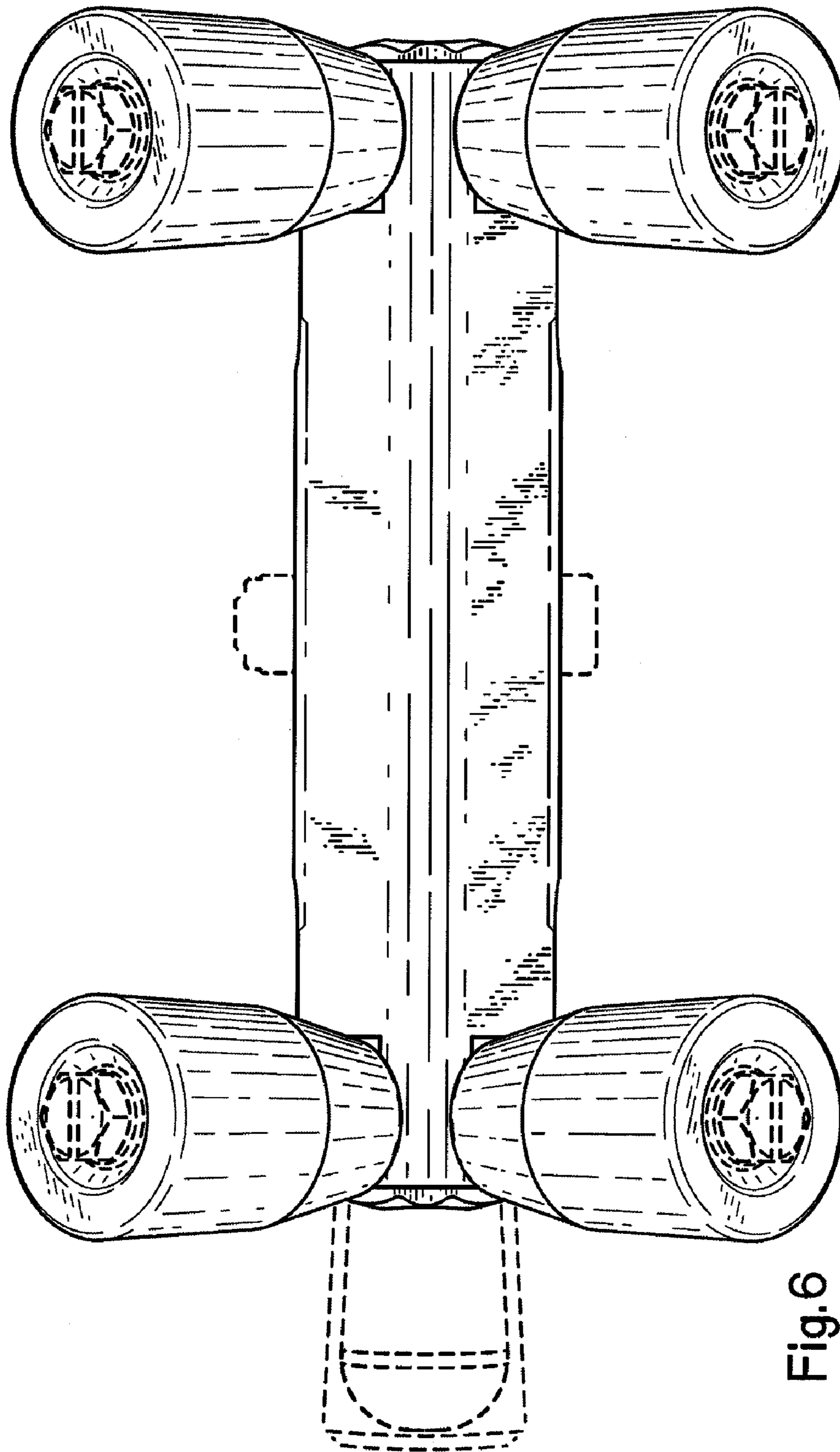


Fig.6