

US00D599830S

(12) **United States Design Patent**
Jacobsthal et al.

(10) **Patent No.:** **US D599,830 S**

(45) **Date of Patent:** **** Sep. 8, 2009**

(54) **COMBINE HARVESTER**

(75) Inventors: **Eric Jacobsthal**, Elmhurst, IL (US);
Carl Hagele, Chicago, IL (US); **Robert D. Doescher**, Geneseo, IL (US);
William J. McCasky, Hopewell, IL (US)

(73) Assignee: **CNH America LLC**, New Holland, PA (US)

(**) Term: **14 Years**

(21) Appl. No.: **29/301,360**

(22) Filed: **Feb. 25, 2008**

(51) **LOC (9) Cl.** **15-03**

(52) **U.S. Cl.** **D15/33; D15/26**

(58) **Field of Classification Search** D15/10-12,
D15/22-26, 28; 56/14.5-14.7, 16.6, 122-125;
296/190, 191; 460/83, 119; 180/89.1, 89.12
See application file for complete search history.

(56) **References Cited**

U.S. PATENT DOCUMENTS

3,650,052	A *	3/1972	Maiste et al.	56/473.5
D245,420	S *	8/1977	Maucher	D15/26
D253,057	S *	10/1979	Fachini et al.	D15/26
D300,221	S *	3/1989	Odahara et al.	D15/24
D309,738	S *	8/1990	Schober et al.	D15/26
5,156,570	A *	10/1992	Justice, III	460/118
5,519,987	A *	5/1996	Voss et al.	56/14.6
D373,591	S *	9/1996	Von Allworden et al.	D15/26
D399,851	S *	10/1998	Stauffer et al.	D15/10
D400,543	S *	11/1998	Benedict et al.	D15/10
D432,142	S *	10/2000	Olson et al.	D15/10
D436,363	S *	1/2001	Strong et al.	D15/10
D460,461	S *	7/2002	Strong et al.	D15/10
D566,138	S *	4/2008	Forkert	D15/27

D568,342	S *	5/2008	Kleingraeber	D15/26
2005/0279070	A1 *	12/2005	Pirro et al.	56/14.6
2006/0254237	A1 *	11/2006	Ricketts et al.	56/14.6

* cited by examiner

Primary Examiner—Stella M Reid

Assistant Examiner—Mark A Goodwin

(74) *Attorney, Agent, or Firm*—Michael G. Harms; John William Stader; Patrick M. Sheldrake

(57) **CLAIM**

The ornamental design for a combine harvester, as shown and described.

DESCRIPTION

FIG. 1 is a left side view of the combine harvester showing our new design;

FIG. 2 is a right side view of the combine harvester;

FIG. 3 is a front, left perspective view of the combine harvester;

FIG. 4 is a front, right perspective view of the combine harvester;

FIG. 5 is a rear, left perspective view of the combine harvester;

FIG. 6 is a rear, right perspective view of the combine harvester;

FIG. 7 is a front view of the combine harvester;

FIG. 8 is a rear view of the combine harvester; and,

FIG. 9 is a top view of the combine harvester.

The broken line showing of the top and bottom portions of a combine harvester is included for the purpose of illustrating environmental structure and forms no part of the claimed design.

1 Claim, 9 Drawing Sheets

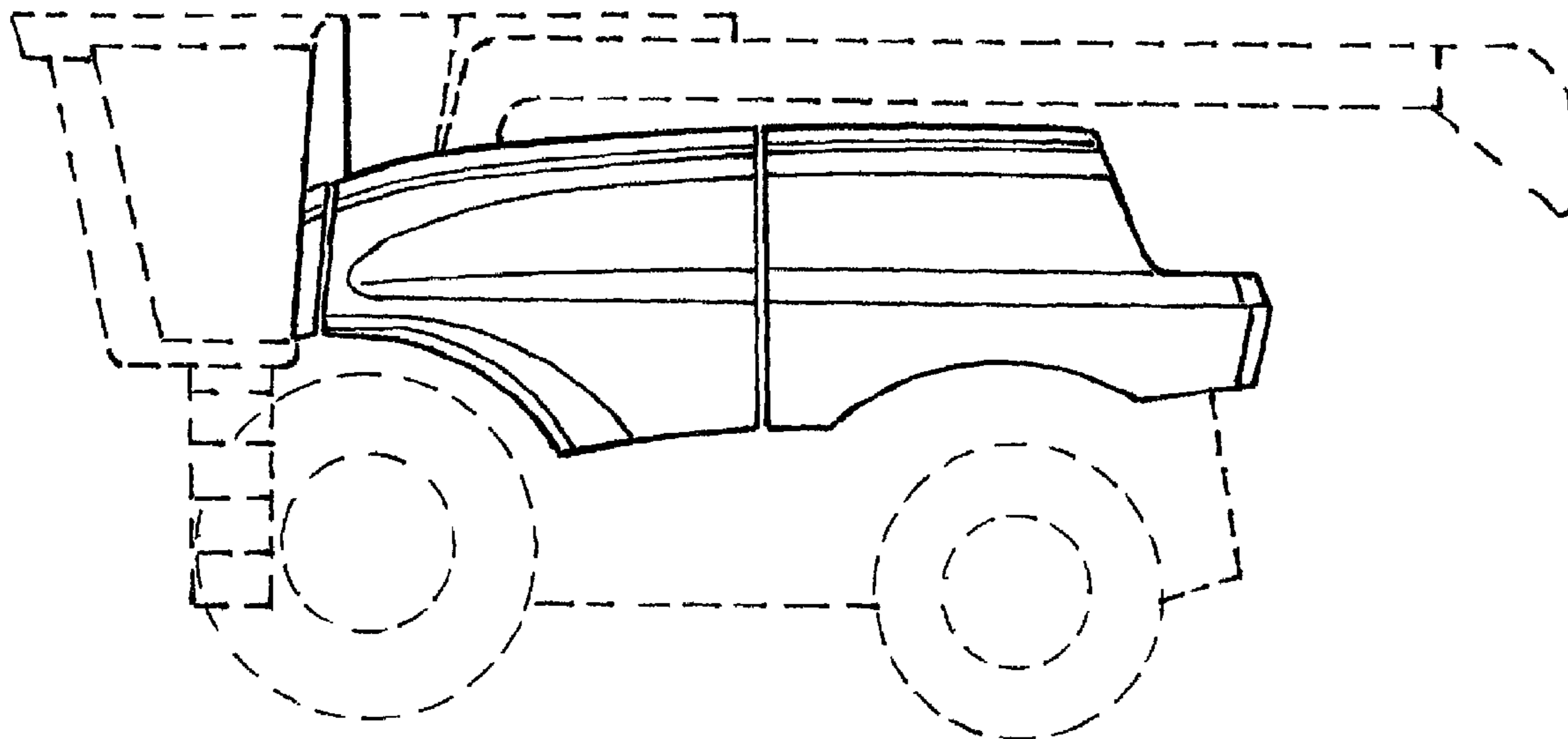


FIG.1

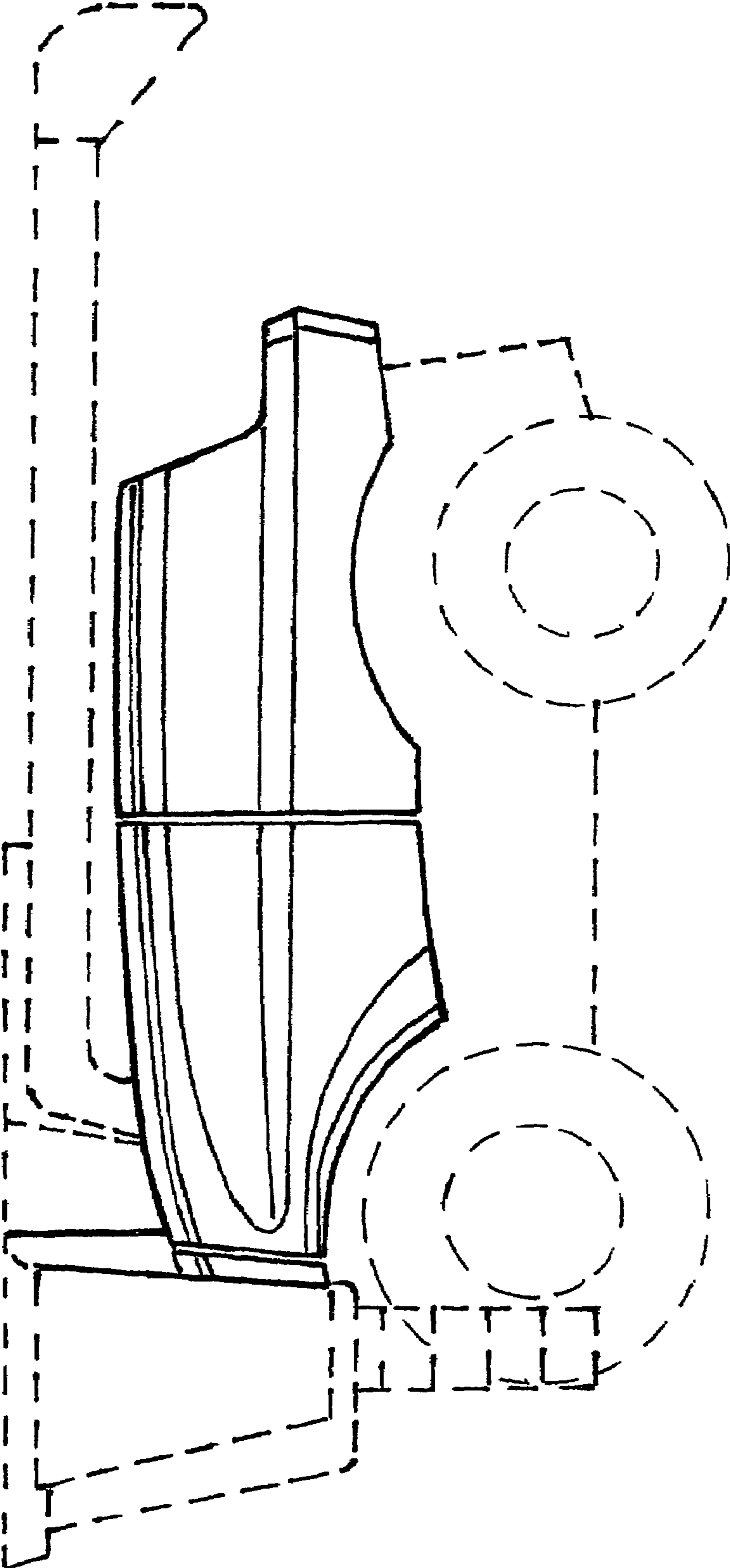
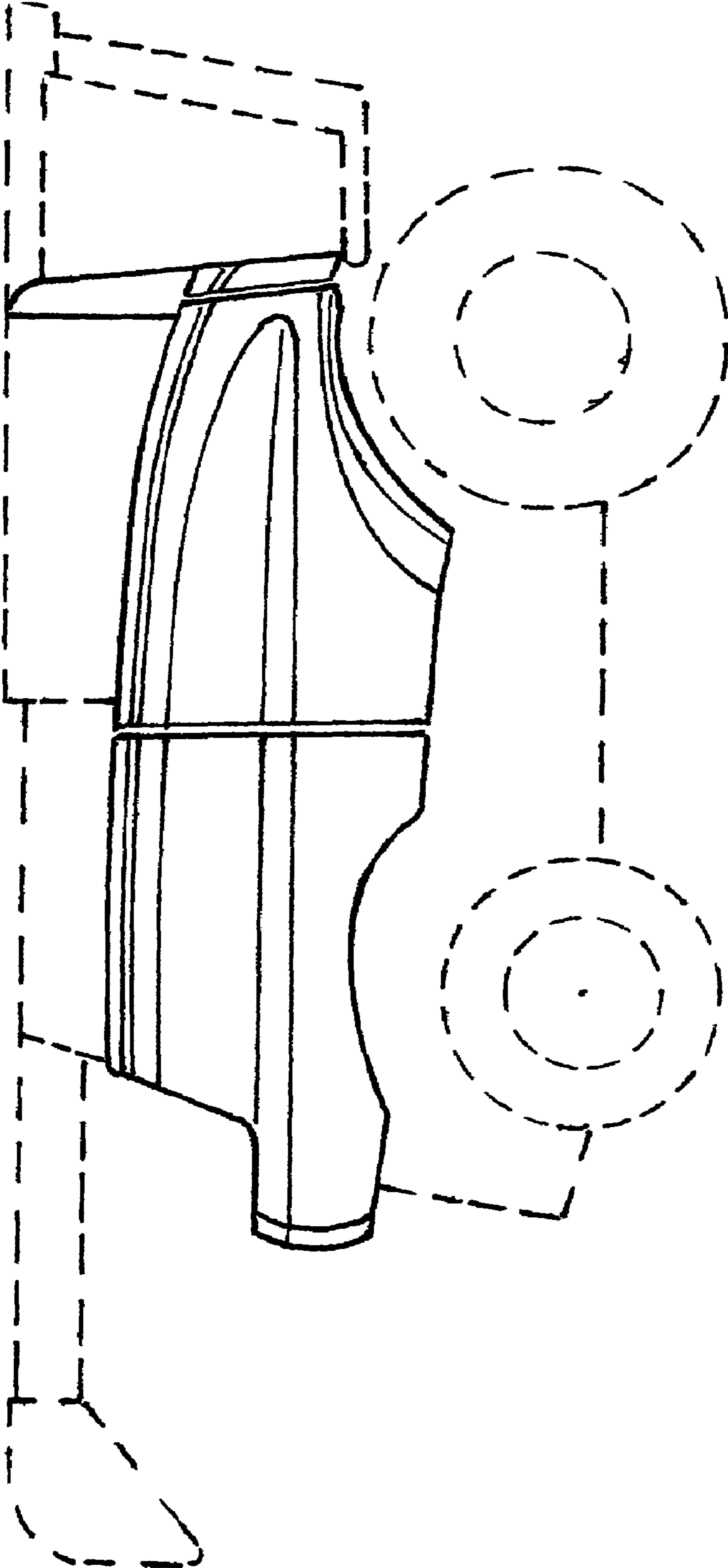


FIG. 2



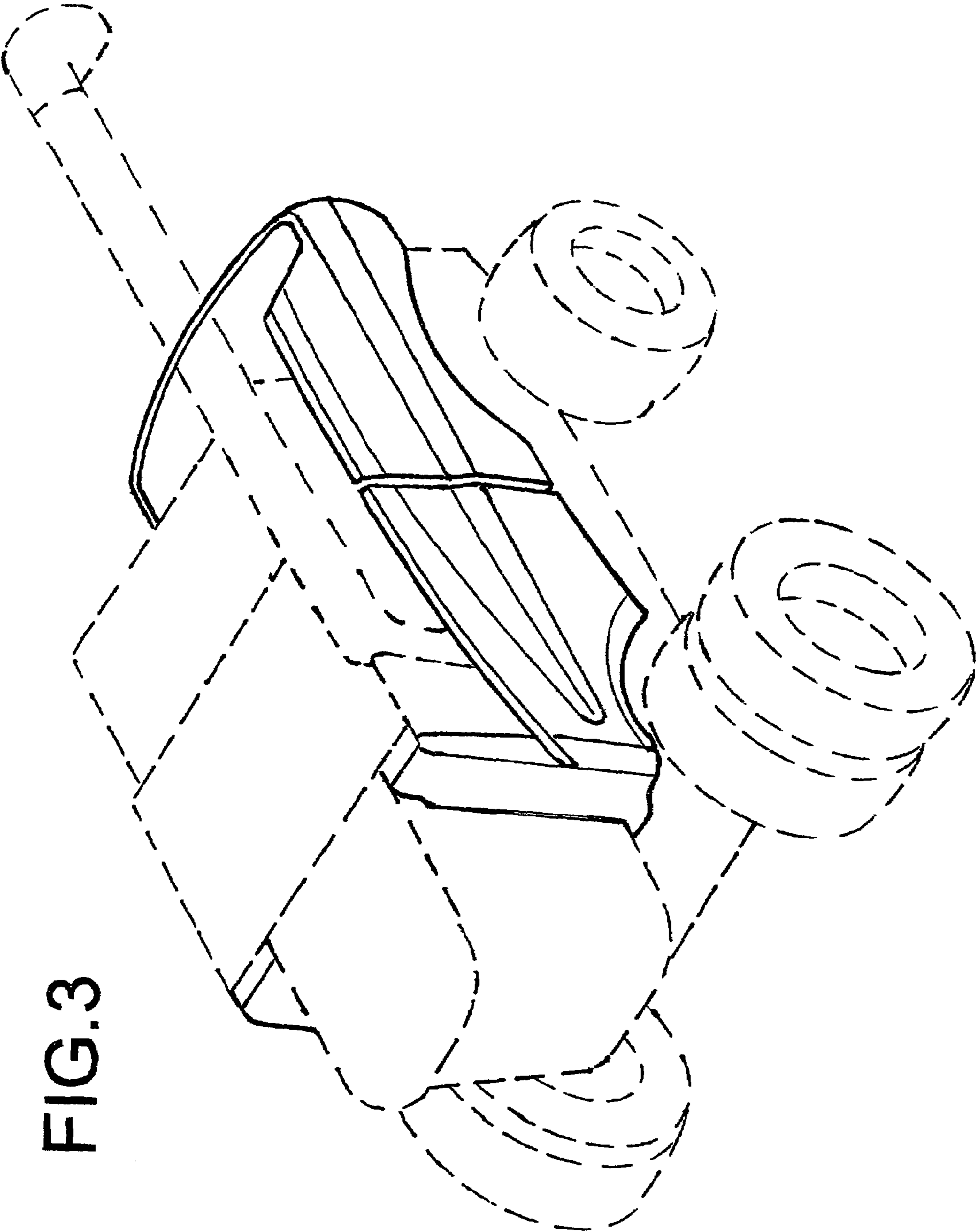


FIG. 3

FIG.4

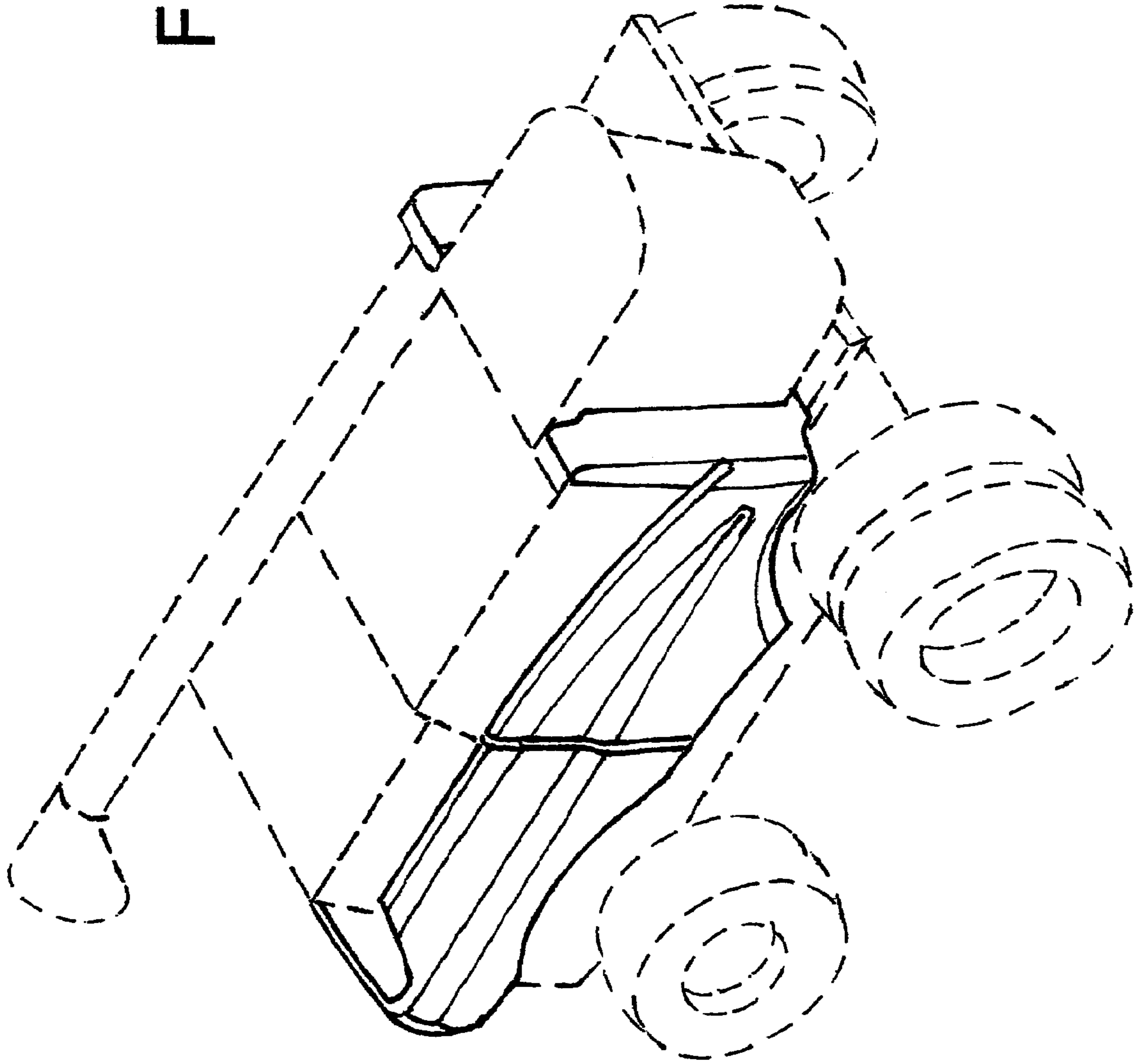
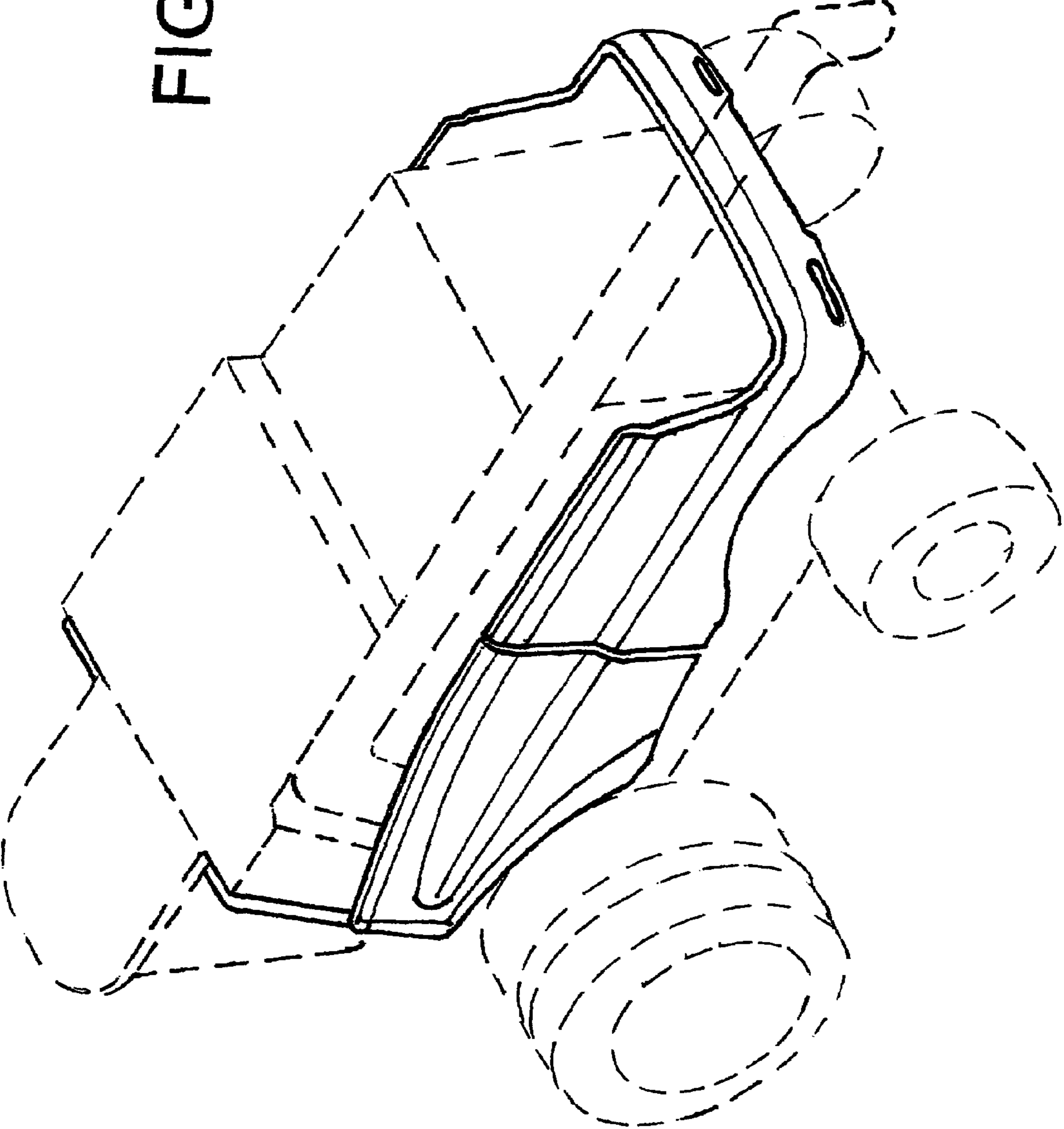


FIG. 5



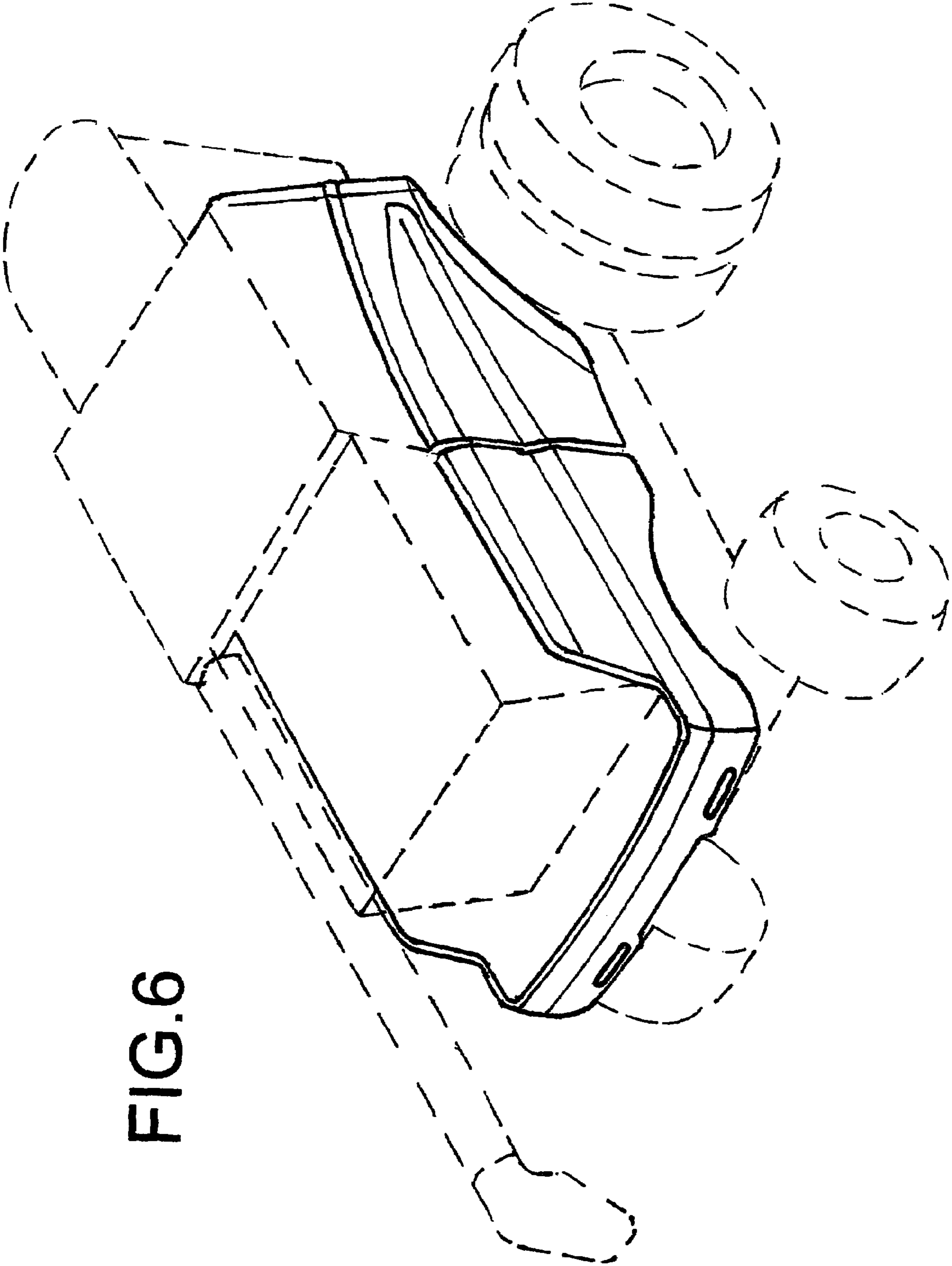


FIG.6

FIG. 7

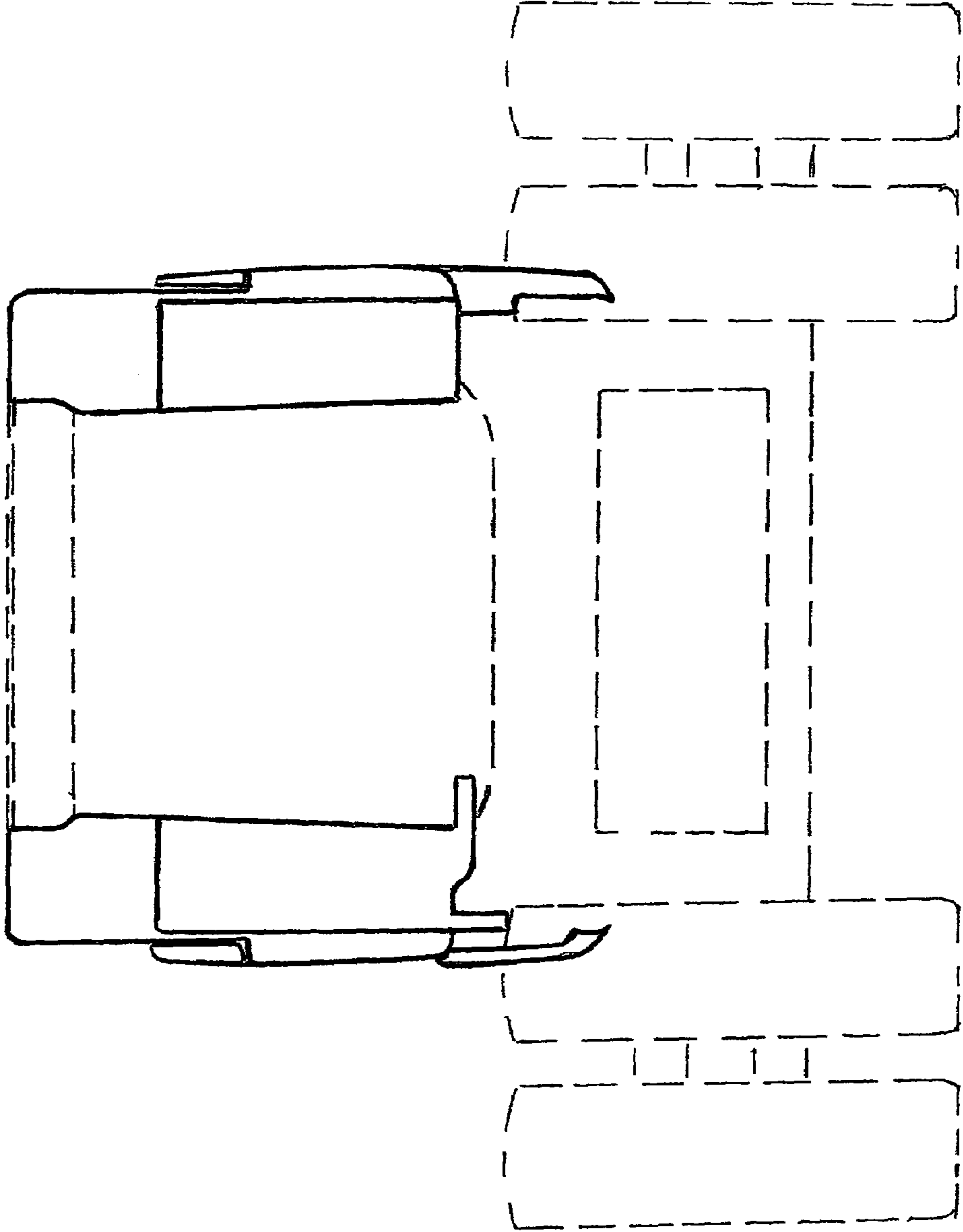


FIG. 8

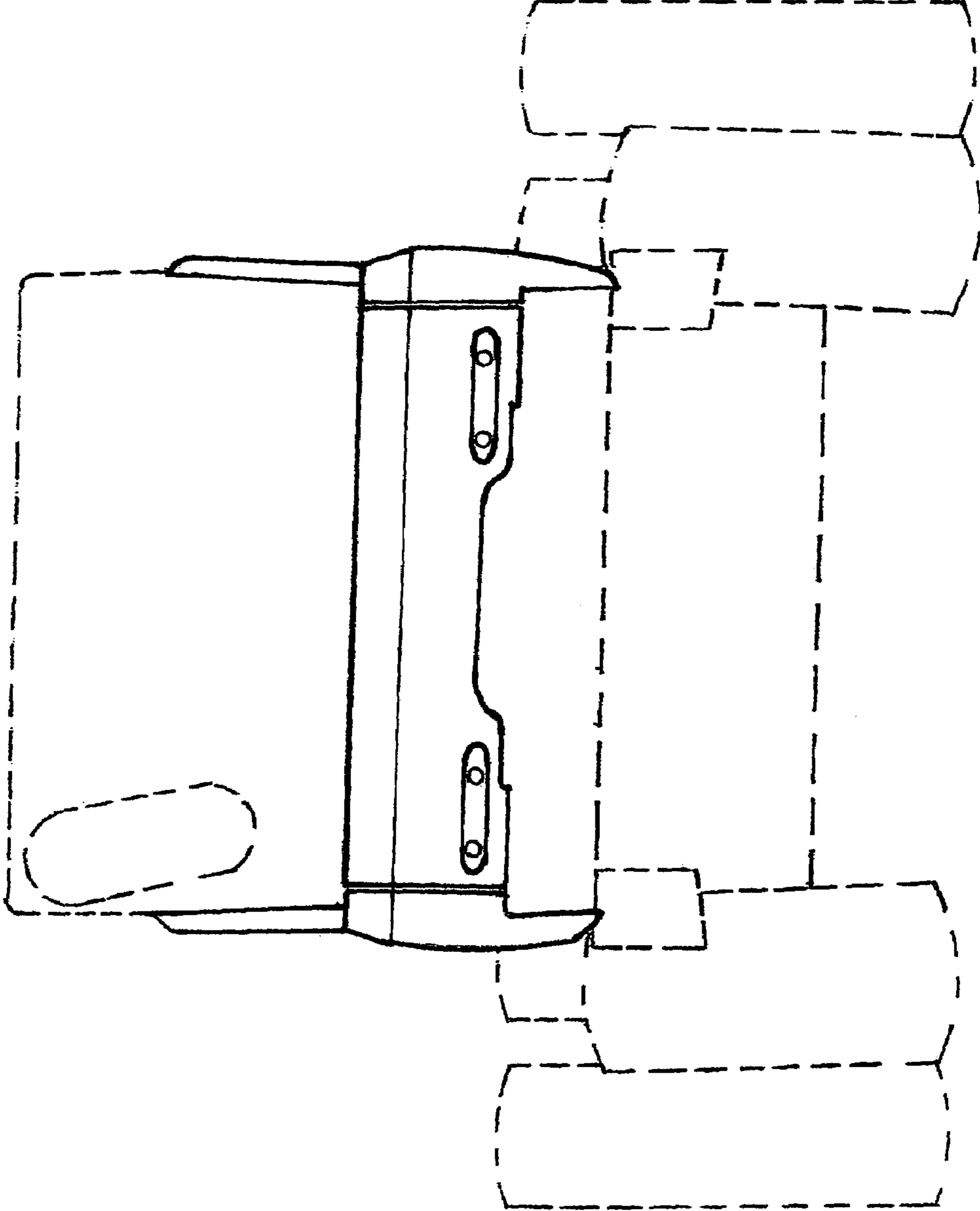


FIG. 9

