



US00D599829S

(12) **United States Design Patent**
Jorgensen et al.

(10) **Patent No.:** **US D599,829 S**
(45) **Date of Patent:** **** Sep. 8, 2009**

(54) **COMBINED JOYSTICK CONTROL WITH
BUTTONS**

D537,393 S * 2/2007 Chanteloup D12/179
D537,394 S * 2/2007 Chanteloup D12/179
D559,749 S * 1/2008 Barbieri D12/179
D590,848 S * 4/2009 Umeda et al. D15/28

(75) Inventors: **Chad Kingston Jorgensen**, Byron, MN
(US); **Greg D. Finnes**, Mantorville, MN
(US)

OTHER PUBLICATIONS

John Deere Forestry: Forwarders Brochure, [online], (retrieved on Mar. 09, 2009) Retrieved from the John Deere database website using internet <URL: http://www.deere.com/en_US/cfd/forestry/deere_forestry/media/pdfs/forwarders/1010D_1110D_1410D_1710DForw.pdf>.

(73) Assignee: **Caterpillar Inc.**, Peoria, IL (US)

Tigercat: 1075B Forwarder [online], (retrieved on Mar. 09, 2009) Retrieved from the Tigercat website using internet <URL: <http://www.tigercat.com/for.htm>>.

(**) Term: **14 Years**

* cited by examiner

(21) Appl. No.: **29/327,808**

(22) Filed: **Nov. 13, 2008**

(51) **LOC (9) Cl.** **15-03**

Primary Examiner—Ian Simmons

(52) **U.S. Cl.** **D15/28; D14/412**

Assistant Examiner—Mark A Goodwin

(58) **Field of Classification Search** D15/17,
D15/28; D12/179, 174; D8/8; D34/35;
D21/324, 328, 333; D14/412–416, 400,
D14/401; 74/491, 519, 523, 475, 489, 473.1,
74/471 XY; 56/13.3, 202; 273/148 B; 463/38,
463/46; 345/161

(74) *Attorney, Agent, or Firm*—David E. Roberts

See application file for complete search history.

(57) **CLAIM**

The ornamental design for a combined joystick control with buttons, as shown and described.

(56) **References Cited**

DESCRIPTION

U.S. PATENT DOCUMENTS

D313,027 S * 12/1990 Persson et al. D15/142
D418,097 S * 12/1999 Leschke et al. D12/179
D419,570 S * 1/2000 Blondeel et al. D15/29
D429,246 S * 8/2000 Holma D14/412
D444,785 S * 7/2001 Whitehorn et al. D14/412
D450,702 S * 11/2001 Sagawa et al. D14/412
D463,457 S * 9/2002 Nagatsuka D15/28
D464,007 S * 10/2002 Ligneau D12/179
D498,189 S * 11/2004 Ligneau D12/179
D499,121 S * 11/2004 Masalin D15/28
D531,942 S * 11/2006 Chanteloup D12/179

FIG. 1 is a top perspective view of a joystick control with buttons showing our new design;

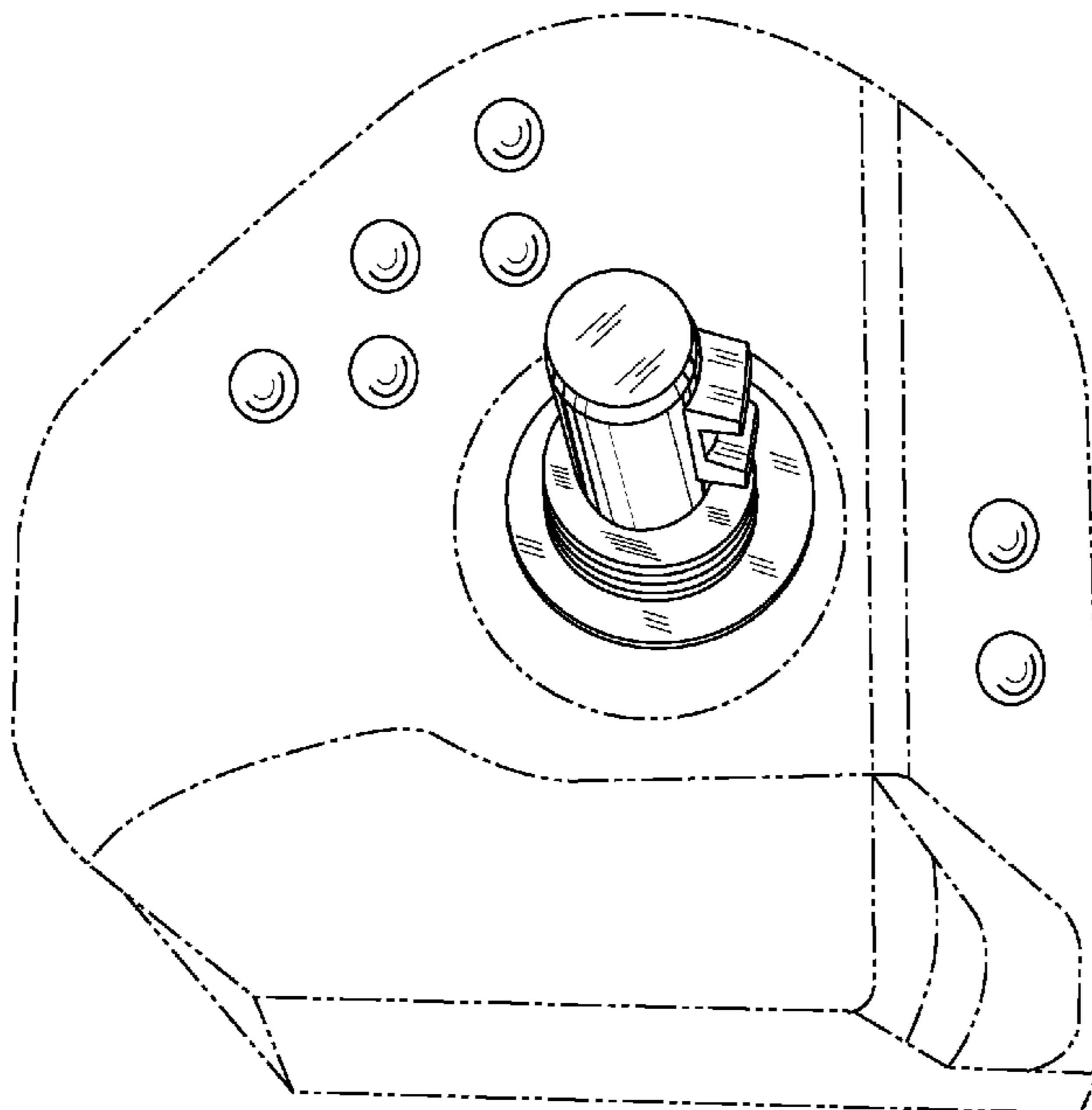
FIG. 2 is a side view thereof; and,

FIG. 3 is a side view thereof that is generally opposing the side view of FIG. 2.

The invention is a mirror image of the design shown in FIGS. 1–3.

The broken line showing of a joystick control base is included for the purpose of illustrating environmental structure and forms no part of the claimed design.

1 Claim, 3 Drawing Sheets



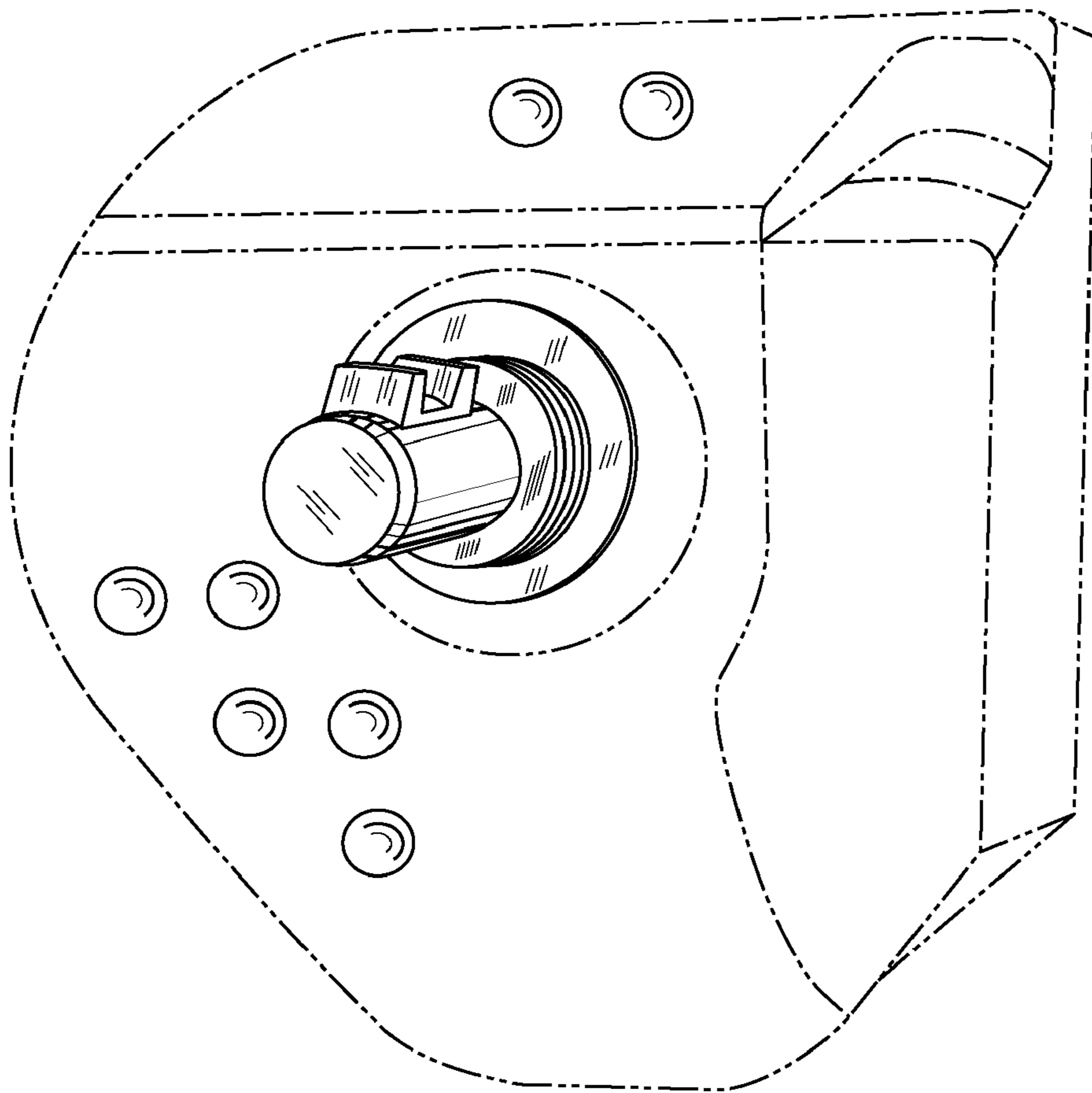


FIG. 1

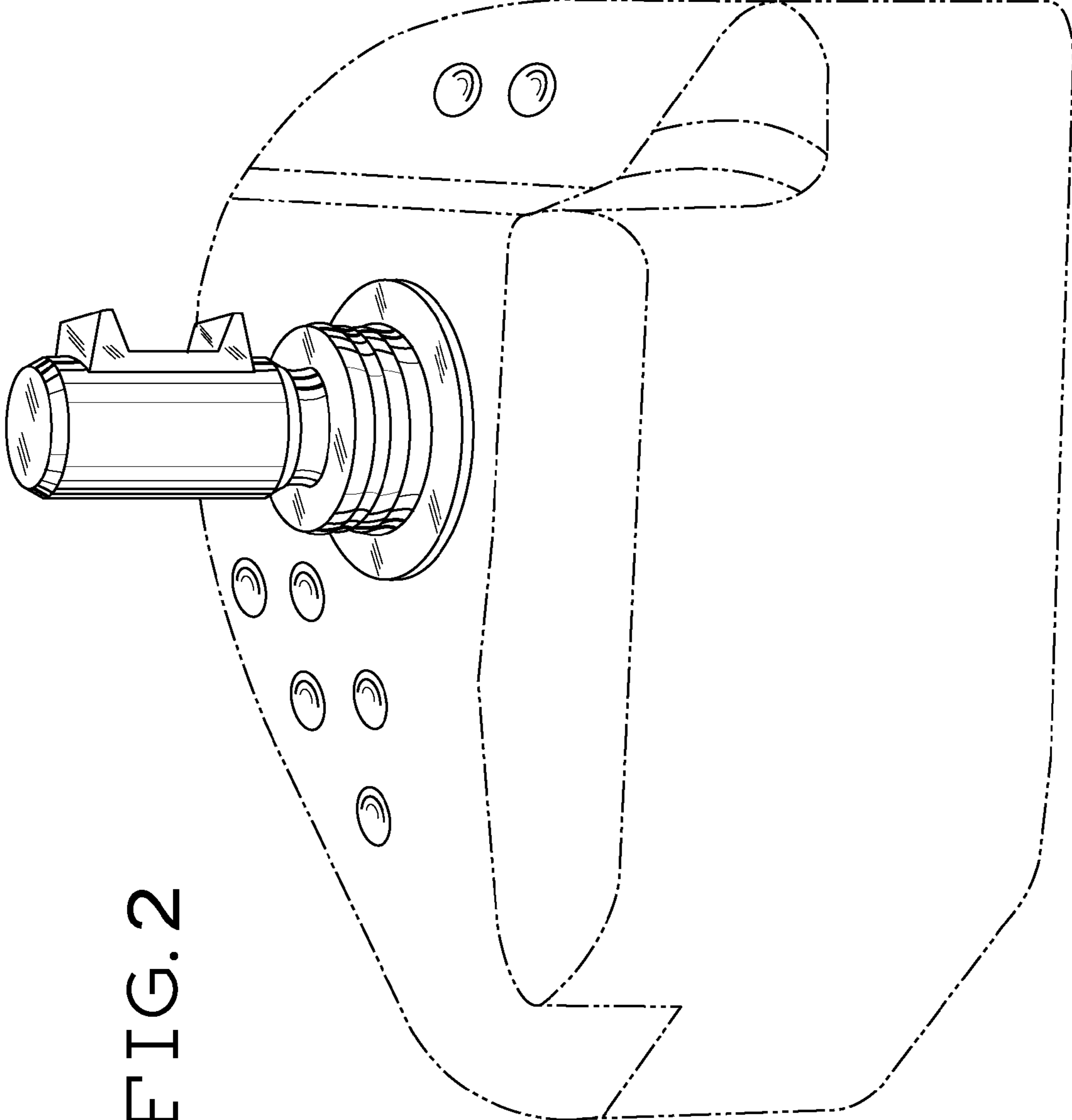


FIG. 2

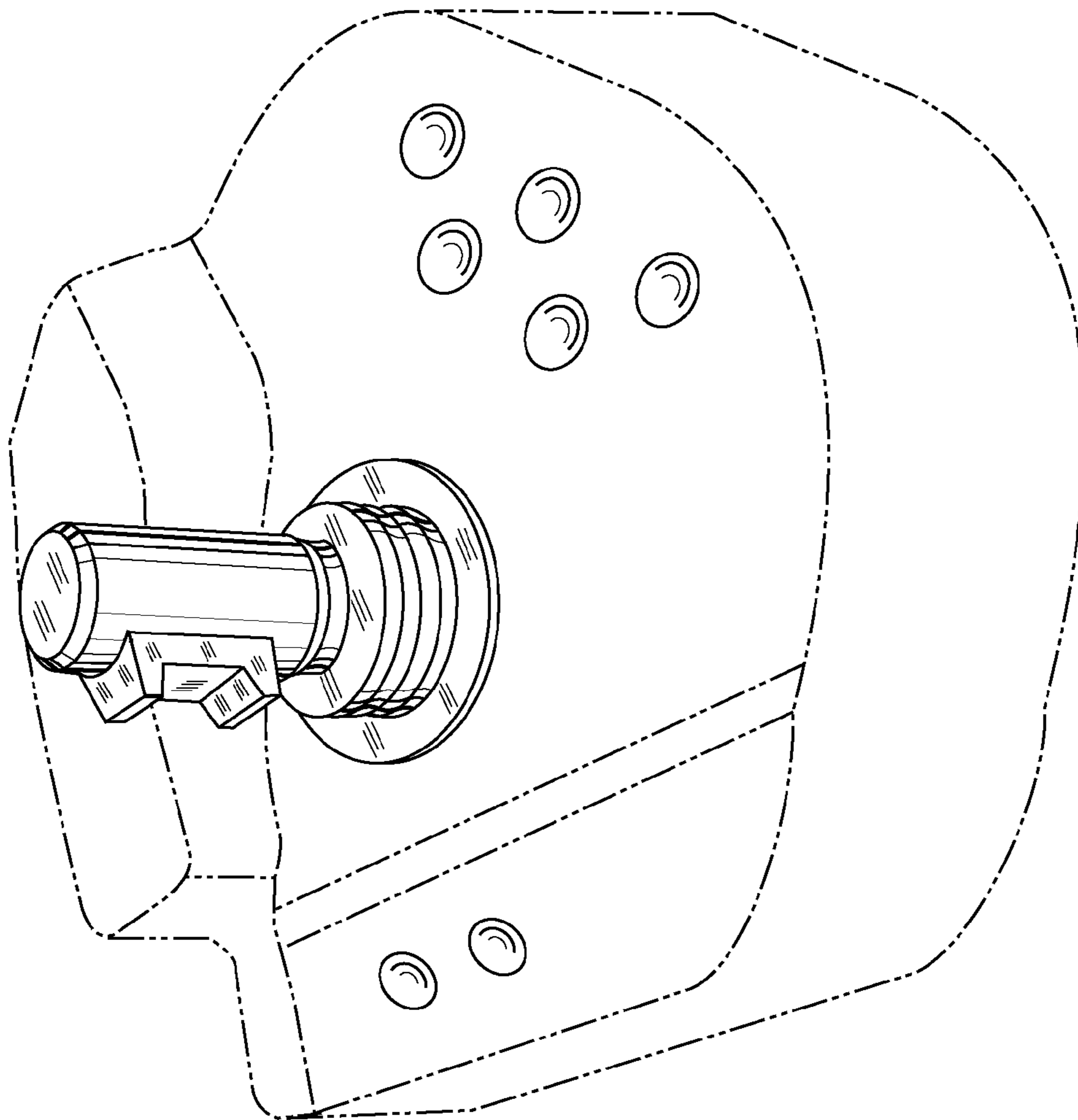


FIG. 3