



US00D599826S

(12) **United States Design Patent**
Kuwae

(10) **Patent No.:** **US D599,826 S**
(45) **Date of Patent:** **** Sep. 8, 2009**

(54) **TRACTOR**

(75) Inventor: **Junta Kuwae, Sakai (JP)**

(73) Assignee: **Kubota Corporation, Osaka (JP)**

(**) Term: **14 Years**

(21) Appl. No.: **29/310,792**

(22) Filed: **Sep. 10, 2008**

(30) **Foreign Application Priority Data**

Sep. 2, 2008 (JP) 2008-022577

(51) **LOC (9) Cl.** **15-03**

(52) **U.S. Cl.** **D15/26; D15/23**

(58) **Field of Classification Search** D15/10,
D15/14-17, 22-26; 56/13.4, 13.3, 15.8,
56/15.9, 16.1, 16.7, 175, 202; 180/89.1,
180/89.12, 900

See application file for complete search history.

(56) **References Cited**

U.S. PATENT DOCUMENTS

D312,465 S * 11/1990 Yaguchi et al. D15/23
D378,755 S * 4/1997 Kato et al. D15/23
D438,546 S * 3/2001 Katoh et al. D15/23
D501,487 S * 2/2005 Katoh et al. D15/23
D525,992 S 8/2006 Higashikawa et al.

D526,335 S * 8/2006 Kuwae et al. D15/23
D537,454 S * 2/2007 Higashikawa et al. D15/23
D553,159 S * 10/2007 Higashikawa et al. D15/23
D558,797 S * 1/2008 Yamamoto et al. D15/26

FOREIGN PATENT DOCUMENTS

JP D 1235185 S 4/2005

* cited by examiner

Primary Examiner—Stella M Reid

Assistant Examiner—Mark A Goodwin

(74) *Attorney, Agent, or Firm*—The Webb Law Firm

(57) **CLAIM**

The ornamental design for a tractor, as shown and described.

DESCRIPTION

FIG. 1 is a right side view of a tractor showing my new design;

FIG. 2 is a left side view thereof;

FIG. 3 is a front side view thereof;

FIG. 4 is a rear side view thereof;

FIG. 5 is a top plan view thereof;

FIG. 6 is a right front perspective view thereof;

FIG. 7 is a left front perspective view thereof;

FIG. 8 is a right rear perspective view thereof; and,

FIG. 9 is a left rear perspective view thereof.

1 Claim, 9 Drawing Sheets



F i g . 1



F i g . 2



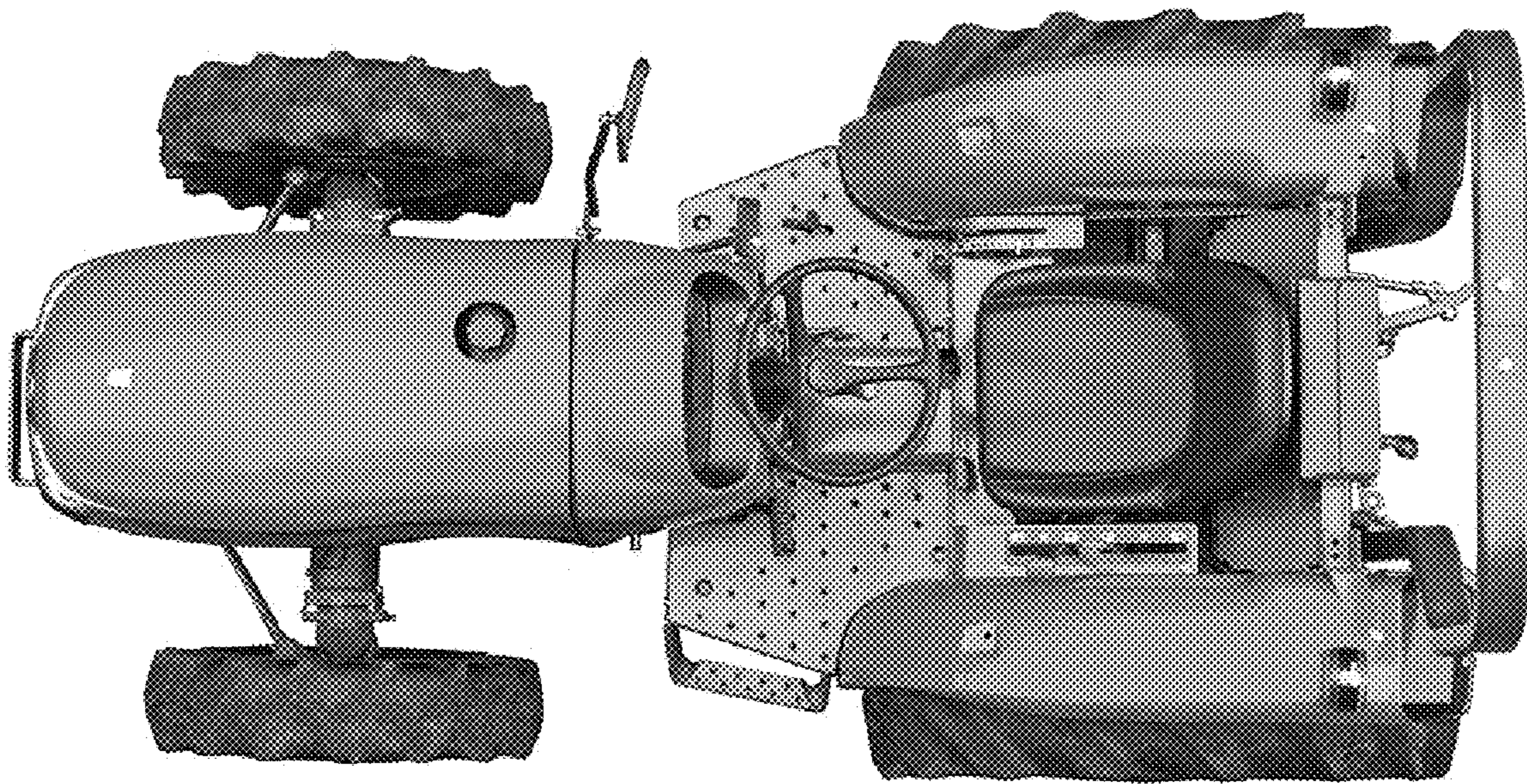
F i g . 3



Fig. 4



Fig. 5



F i g . 6



F i g . 7



Fig. 8



F i g . 9

