



US00D599823S

(12) **United States Design Patent**
Tapper

(10) **Patent No.:** **US D599,823 S**

(45) **Date of Patent:** **** Sep. 8, 2009**

(54) **MECHANICAL COUPLING**

6,904,835 B2 * 6/2005 Dugan et al. 81/446

(75) Inventor: **Christopher S. Tapper**, South Bend, IN
(US)

* cited by examiner

Primary Examiner—Lisa P Lichtenstein

(73) Assignee: **Buchanan Metal Forming, Inc.**,
Buchanan, MI (US)

(74) *Attorney, Agent, or Firm*—Van Dyke, Gardner, Linn &
Burkhart, LLP

(**) Term: **14 Years**

(57) **CLAIM**

The ornamental design for a mechanical coupling, as shown
and described.

(21) Appl. No.: **29/302,354**

DESCRIPTION

(22) Filed: **Jan. 15, 2008**

FIG. 1 is a side elevation view of a mechanical coupling
design of the present invention;

(51) **LOC (9) Cl.** **15-01**

FIG. 2 is a top plan view of the mechanical coupling of FIG.
1;

(52) **U.S. Cl.** **D15/5**

(58) **Field of Classification Search** D15/1,
D15/3, 5; 81/446, 442, 443

FIG. 3 is a bottom plan view of the mechanical coupling of
FIG. 1;

See application file for complete search history.

FIG. 4 is another side elevation view of the mechanical cou-
pling of FIG. 1; and,

(56) **References Cited**

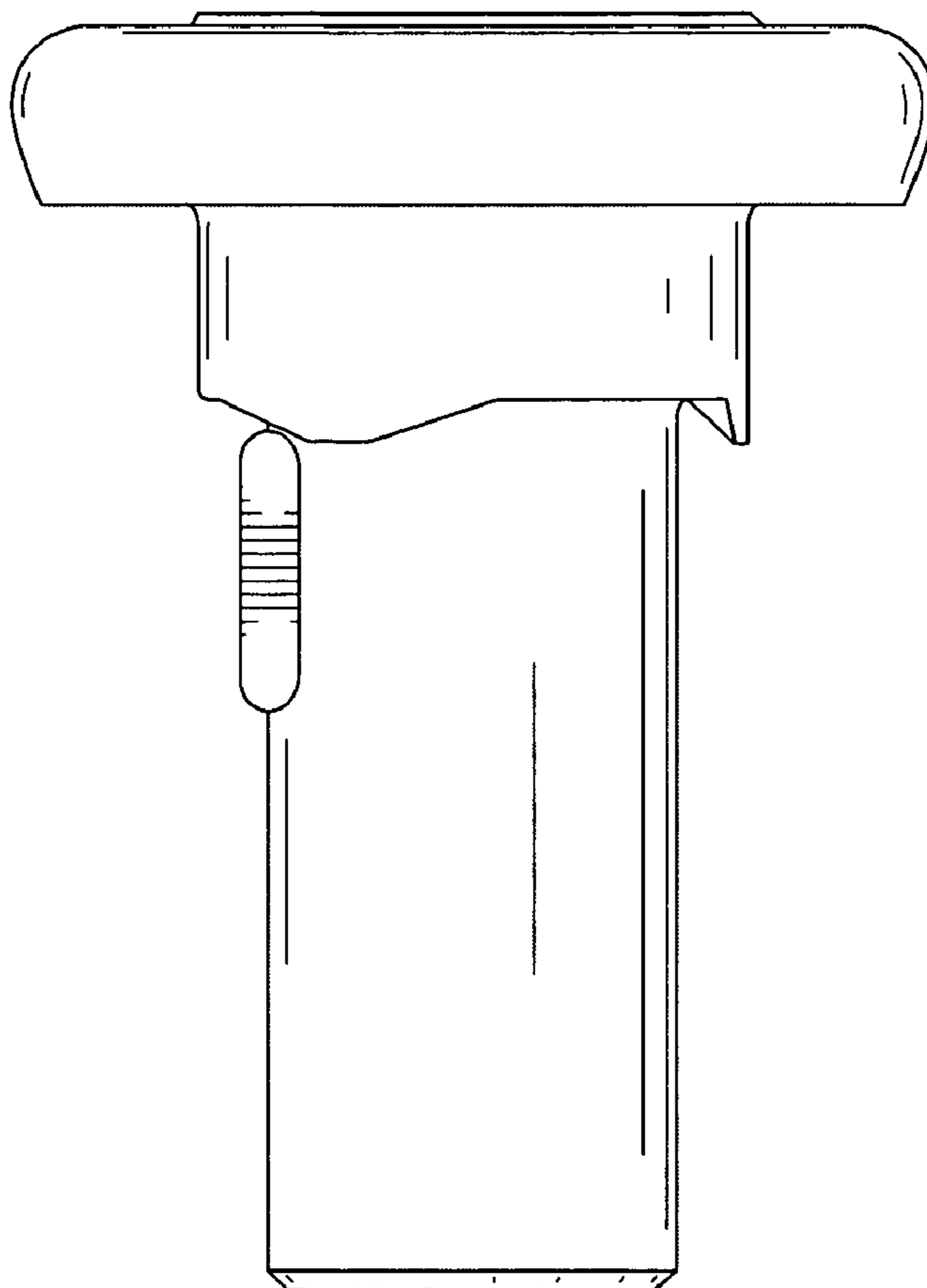
FIG. 5 is a front elevation view of the mechanical coupling of
FIG. 1.

U.S. PATENT DOCUMENTS

2,677,916 A * 5/1954 Hannapel 213/212

5,406,418 A * 4/1995 Deary 359/827

1 Claim, 4 Drawing Sheets



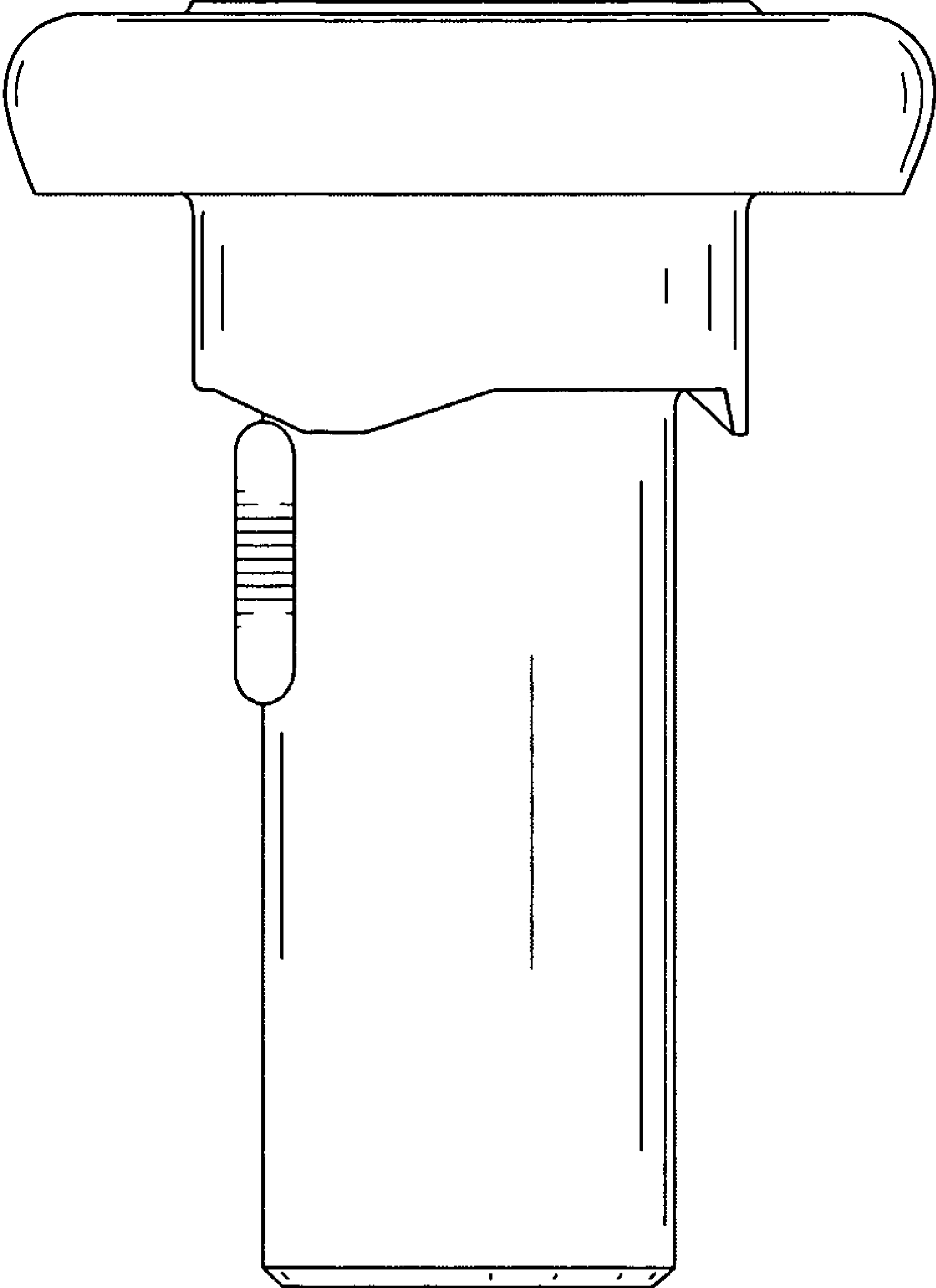


FIG. 1

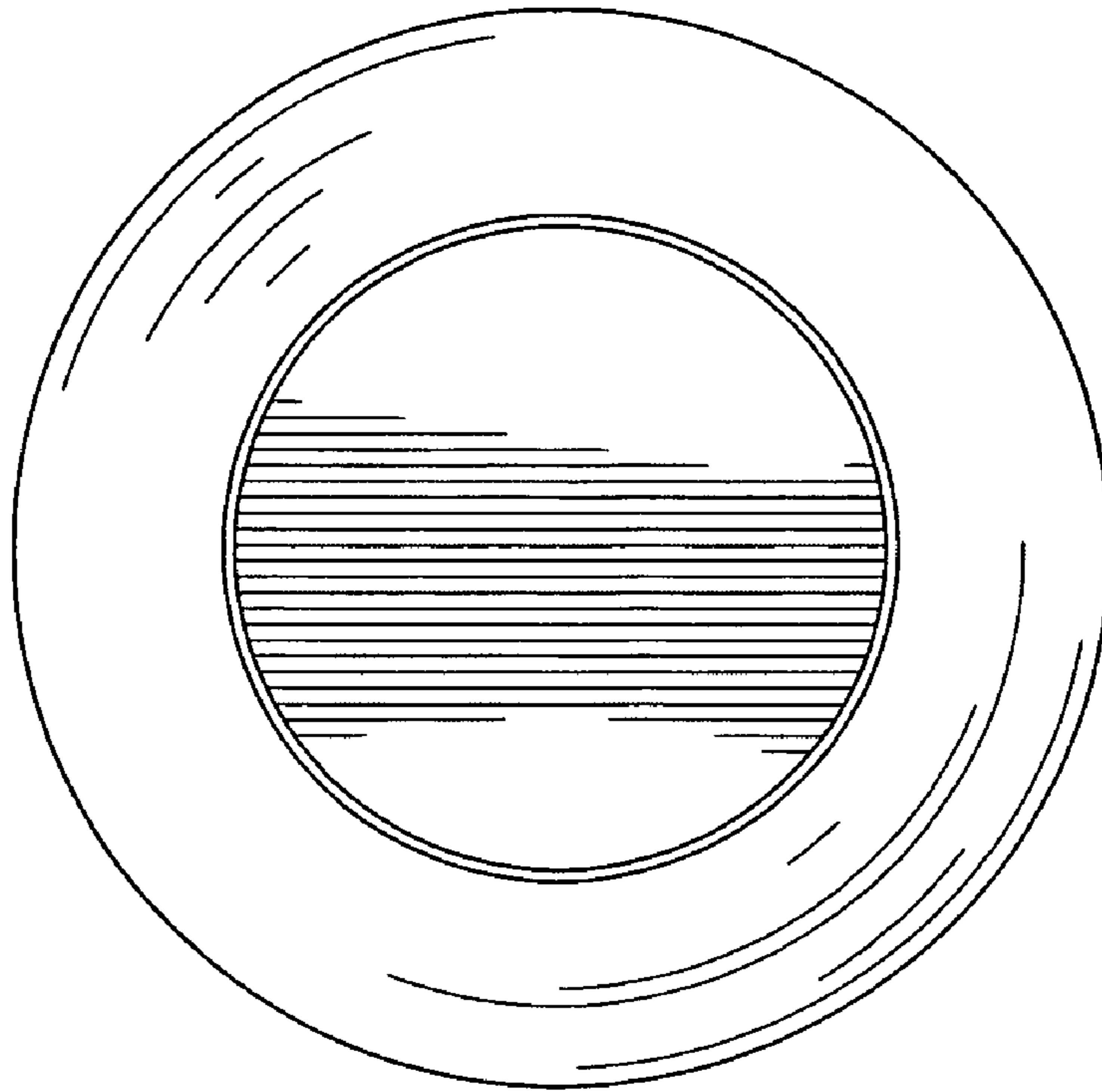


FIG. 2

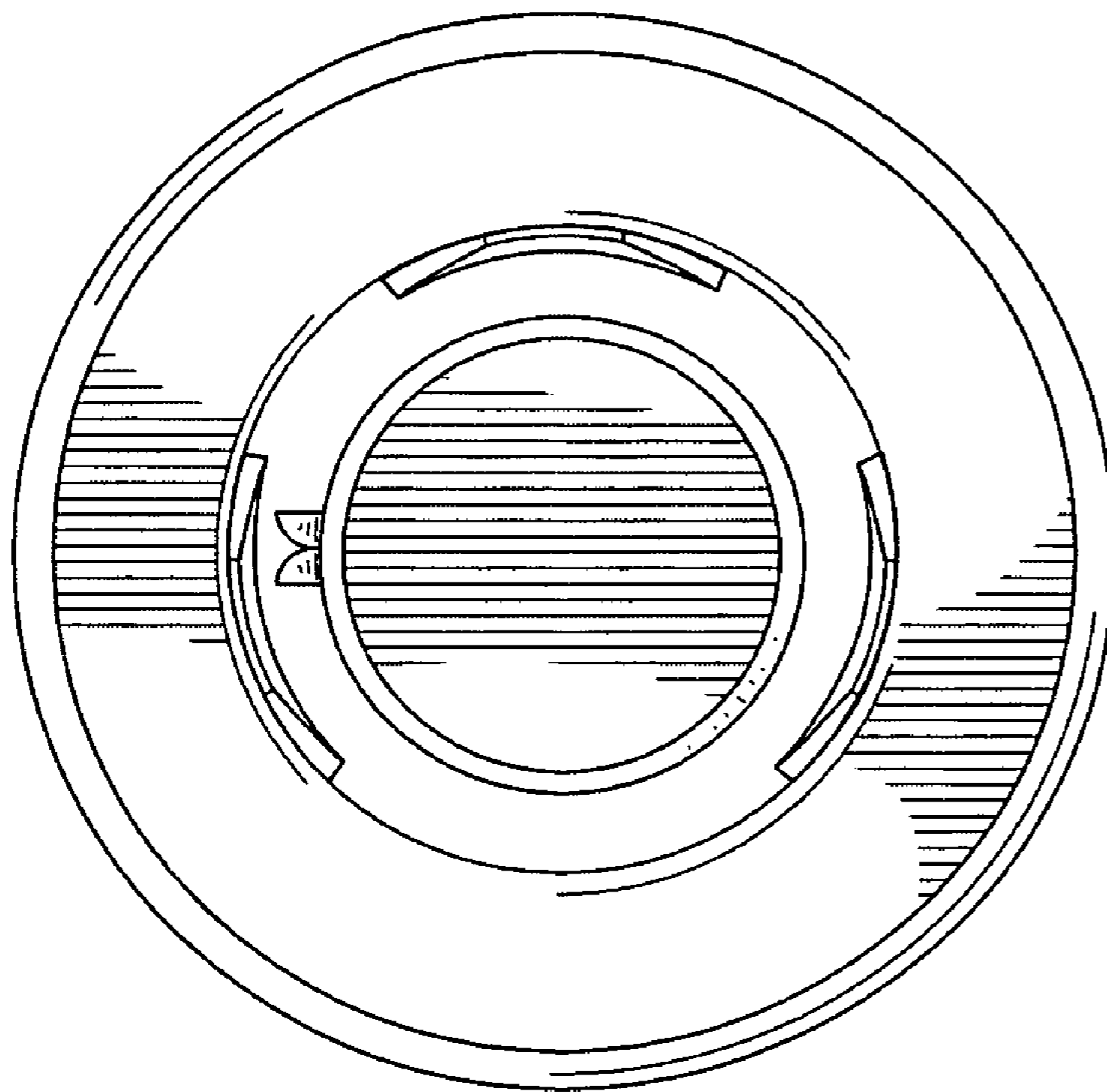


FIG. 3

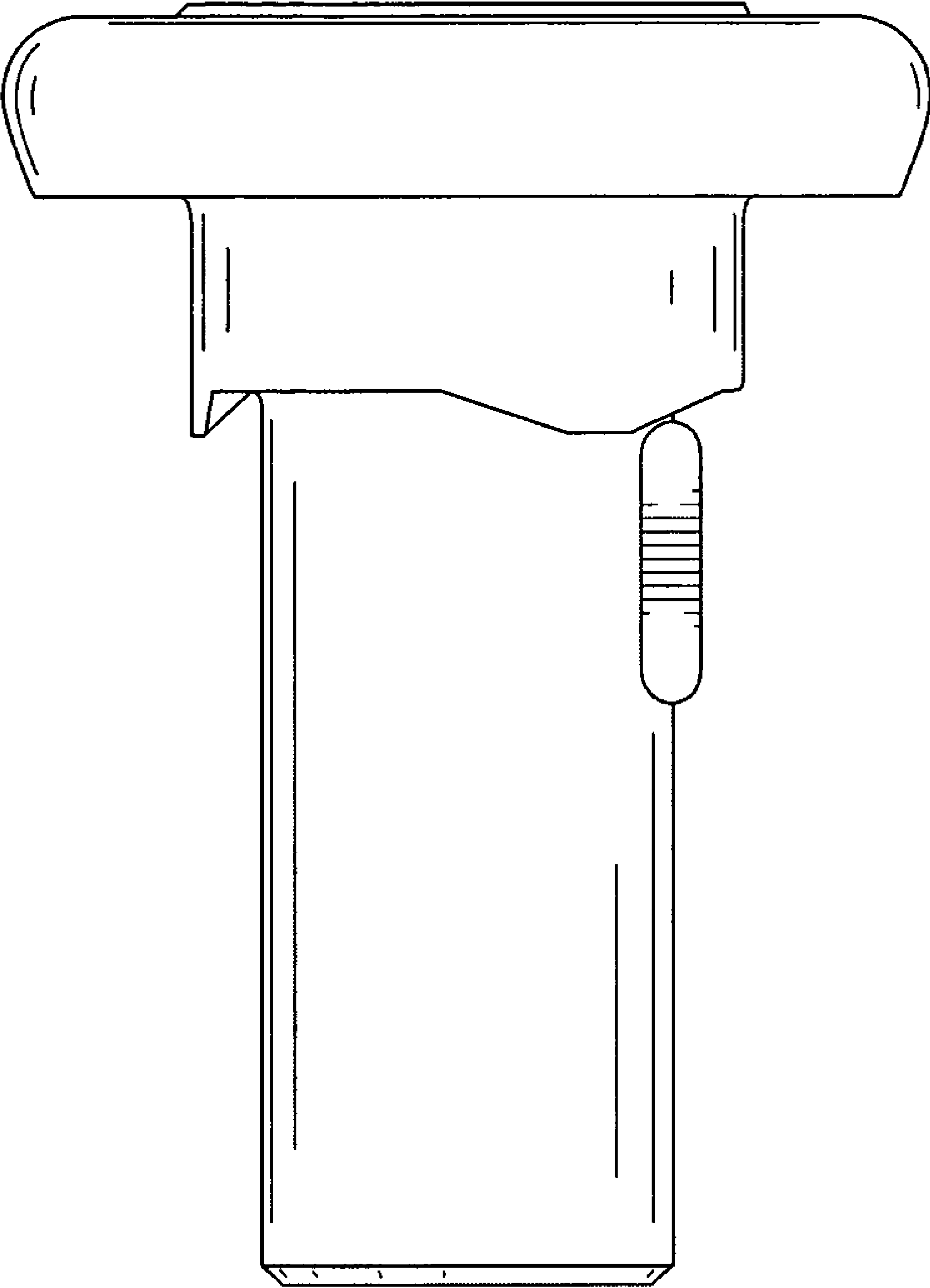


FIG. 4

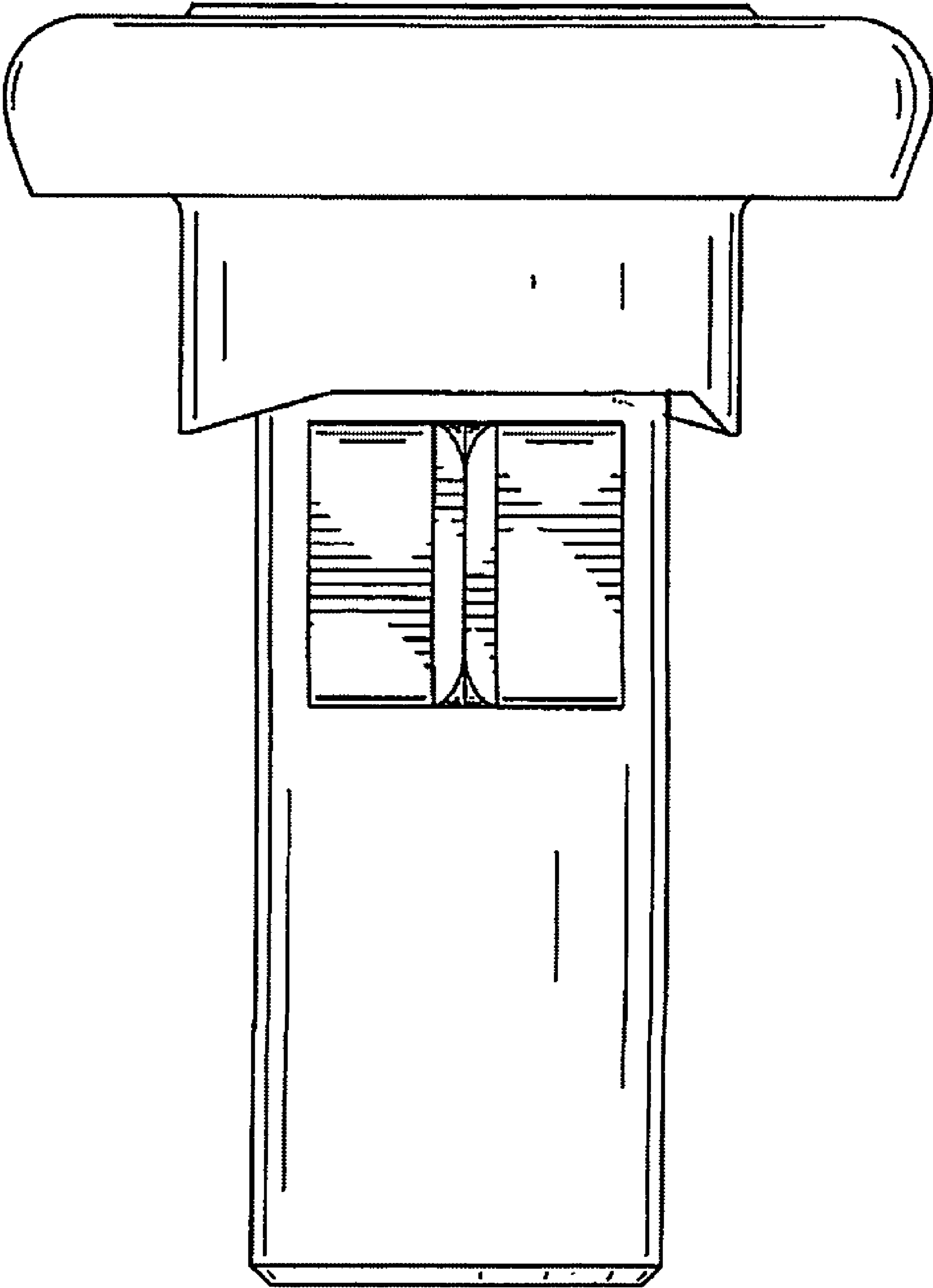


FIG. 5