

US00D599821S

(12) **United States Design Patent**
Tang

(10) **Patent No.:** **US D599,821 S**
(45) **Date of Patent:** **** Sep. 8, 2009**

(54) **MUSIC PLAYER**

(75) Inventor: **Feng-Xiang Tang**, Shenzhen (CN)

(73) Assignee: **Hon Hai Precision Industry Co., Ltd.**,
Tu-Cheng, Taipei Hsien (TW)

(**) Term: **14 Years**

(21) Appl. No.: **29/326,696**

(22) Filed: **Oct. 22, 2008**

(30) **Foreign Application Priority Data**

Sep. 10, 2008 (CN) 2008 3 0301415

(51) **LOC (9) Cl.** **14-03**

(52) **U.S. Cl.** **D14/496; D14/203.18;**
D14/168

(58) **Field of Classification Search** D14/496,
D14/401, 435, 474, 483, 217, 137, 138, 160,
D14/168, 356, 203.1-203.8, 507; 345/156,
345/169, 173-179, 905; 715/727-729, 864;
710/1, 5, 8; 713/1, 600; 455/1.1, 1.7, 73,
455/344-347, 93, 95, 3.01-3.06, 550.1, 573.1;
370/342-344; 369/1, 2, 6-12; 463/43-47;
273/148 B

See application file for complete search history.

(56) **References Cited**

U.S. PATENT DOCUMENTS

6,132,281 A * 10/2000 Klitsner et al. 446/75
D442,570 S * 5/2001 Arjomand et al. D14/203.6

D461,787 S * 8/2002 Brown D14/203.5
D488,166 S * 4/2004 Daniels D14/496
6,897,368 B2 * 5/2005 Georges 84/609
D510,926 S * 10/2005 Jerome D14/500
D541,260 S * 4/2007 Christianson D14/215
7,303,476 B2 * 12/2007 Blanco 463/43
7,403,769 B2 * 7/2008 Kopra et al. 455/414.1
D576,636 S * 9/2008 Wong et al. D14/496
D577,356 S * 9/2008 Moon et al. D14/215
7,462,793 B2 * 12/2008 Jang 200/310
7,499,270 B2 * 3/2009 Allen 211/8

* cited by examiner

Primary Examiner—Prabhakar Deshmukh

(74) *Attorney, Agent, or Firm*—Frank R. Niranjana

(57) **CLAIM**

The ornamental design for a music player, substantially as shown and described.

DESCRIPTION

FIG. 1 is a perspective view of a music player showing my new design;

FIG. 2 is a front elevational view thereof;

FIG. 3 is a rear elevational view thereof;

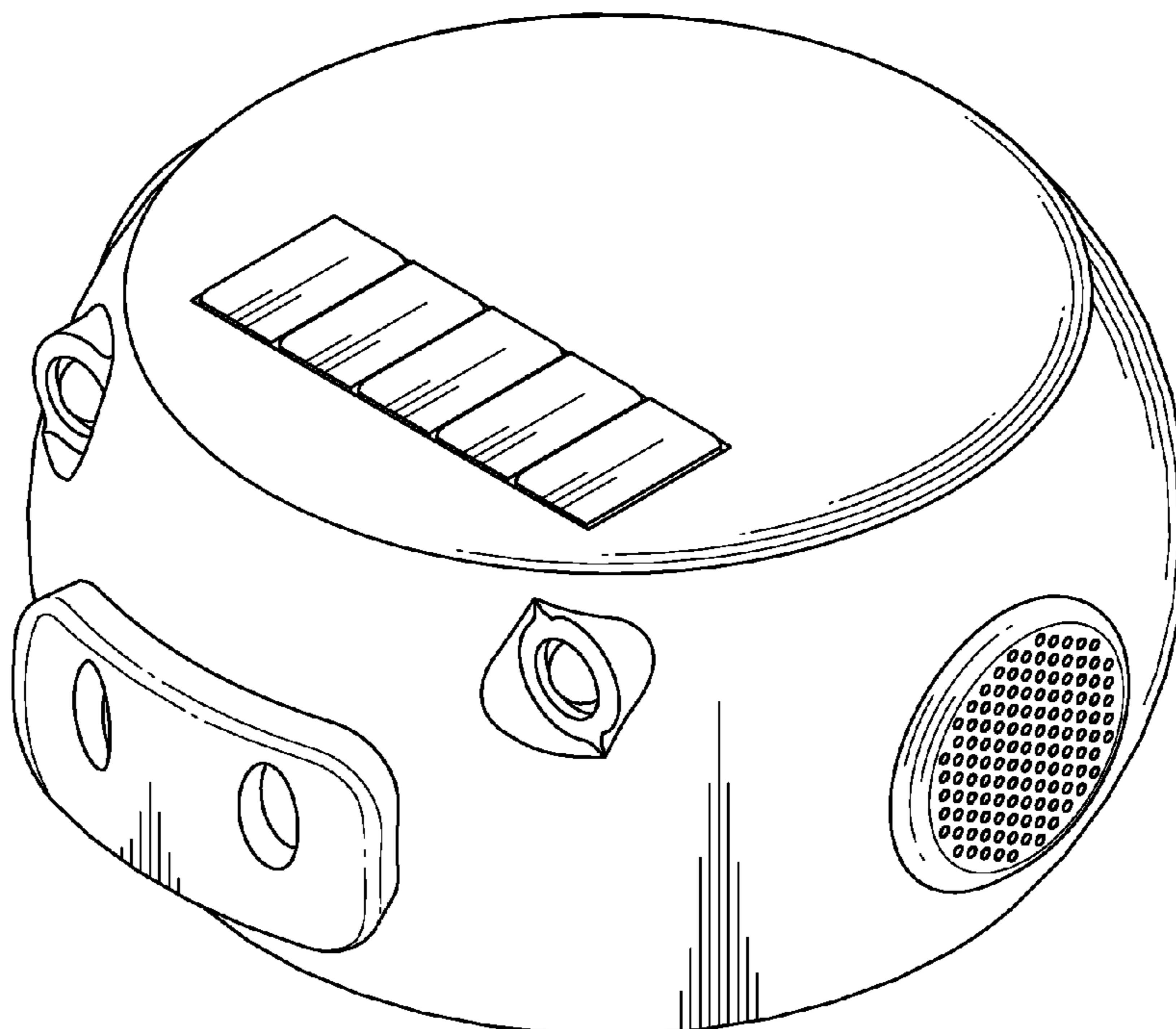
FIG. 4 is a left side elevational view thereof;

FIG. 5 is a right side elevational view thereof;

FIG. 6 is a top plan view thereof; and,

FIG. 7 is a bottom plan view thereof.

1 Claim, 7 Drawing Sheets



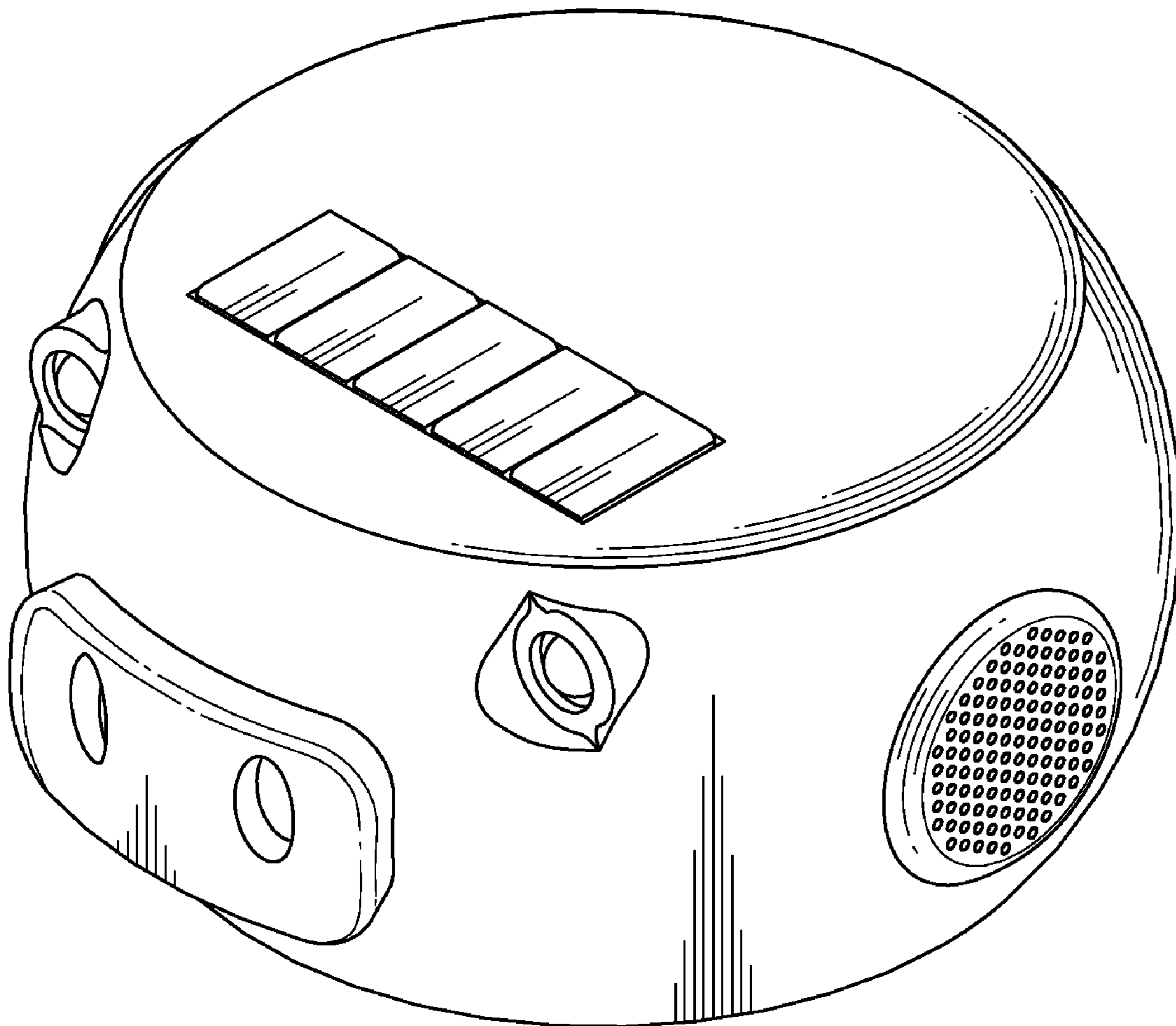


FIG. 1

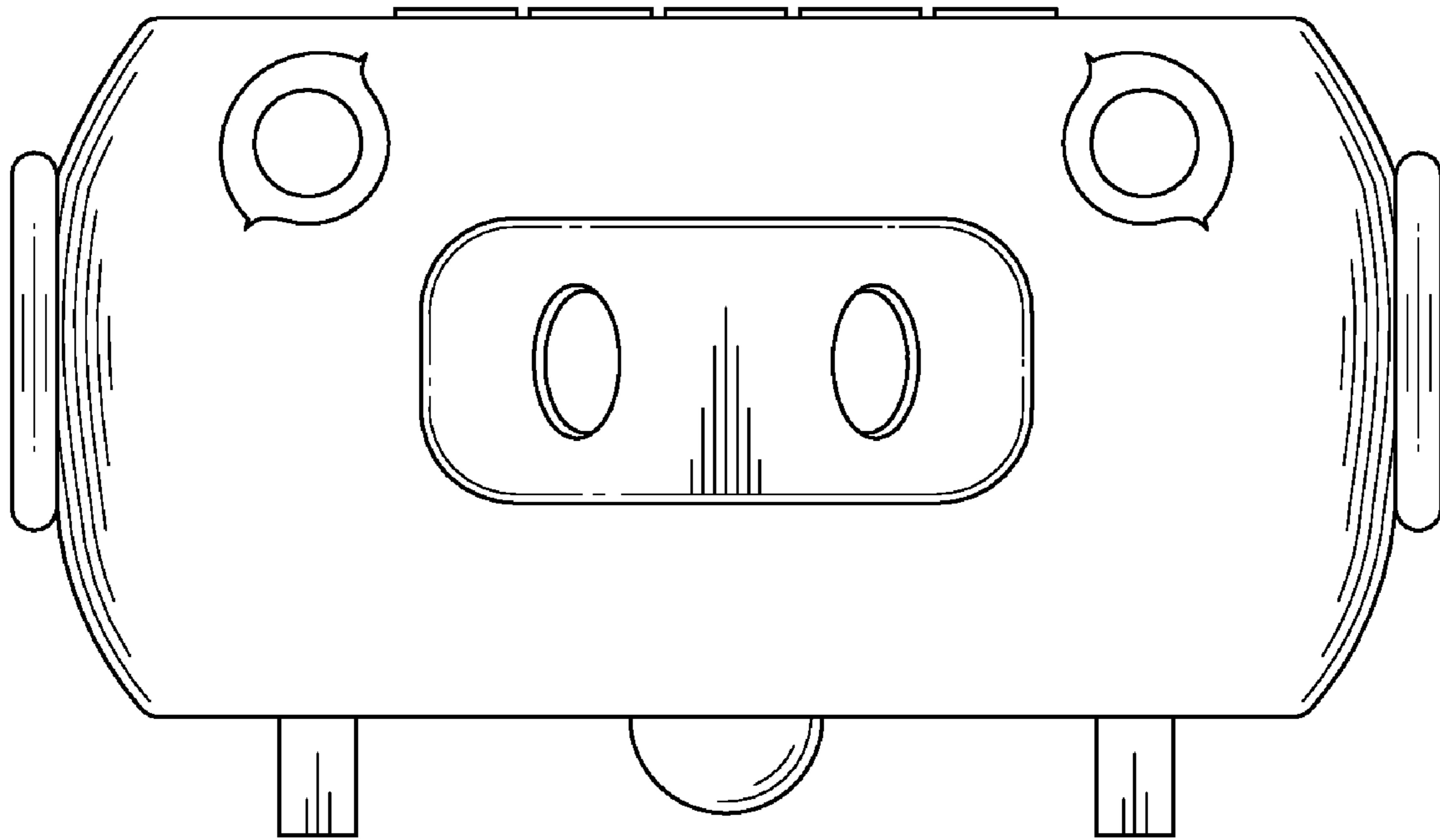


FIG. 2

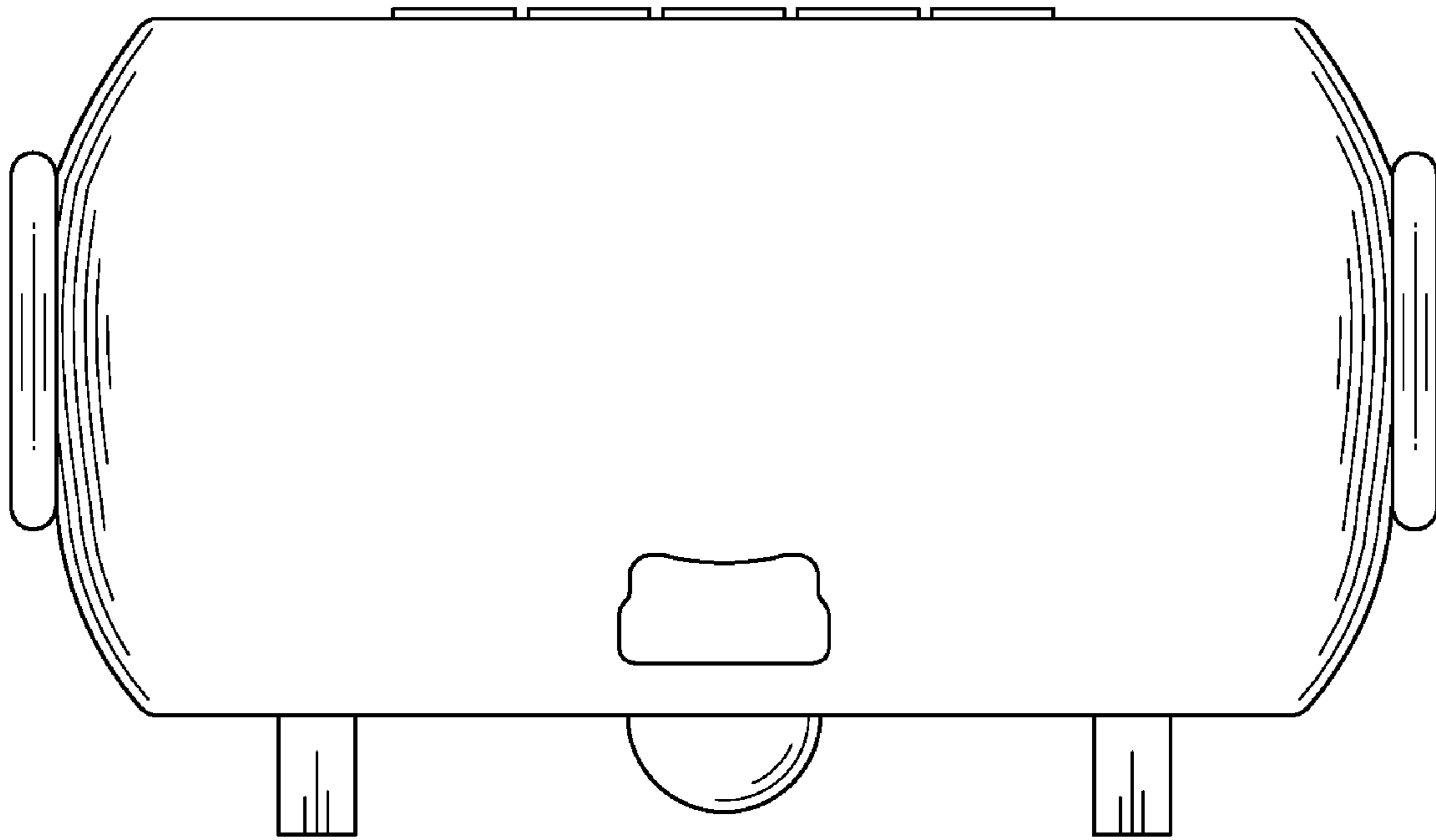


FIG. 3

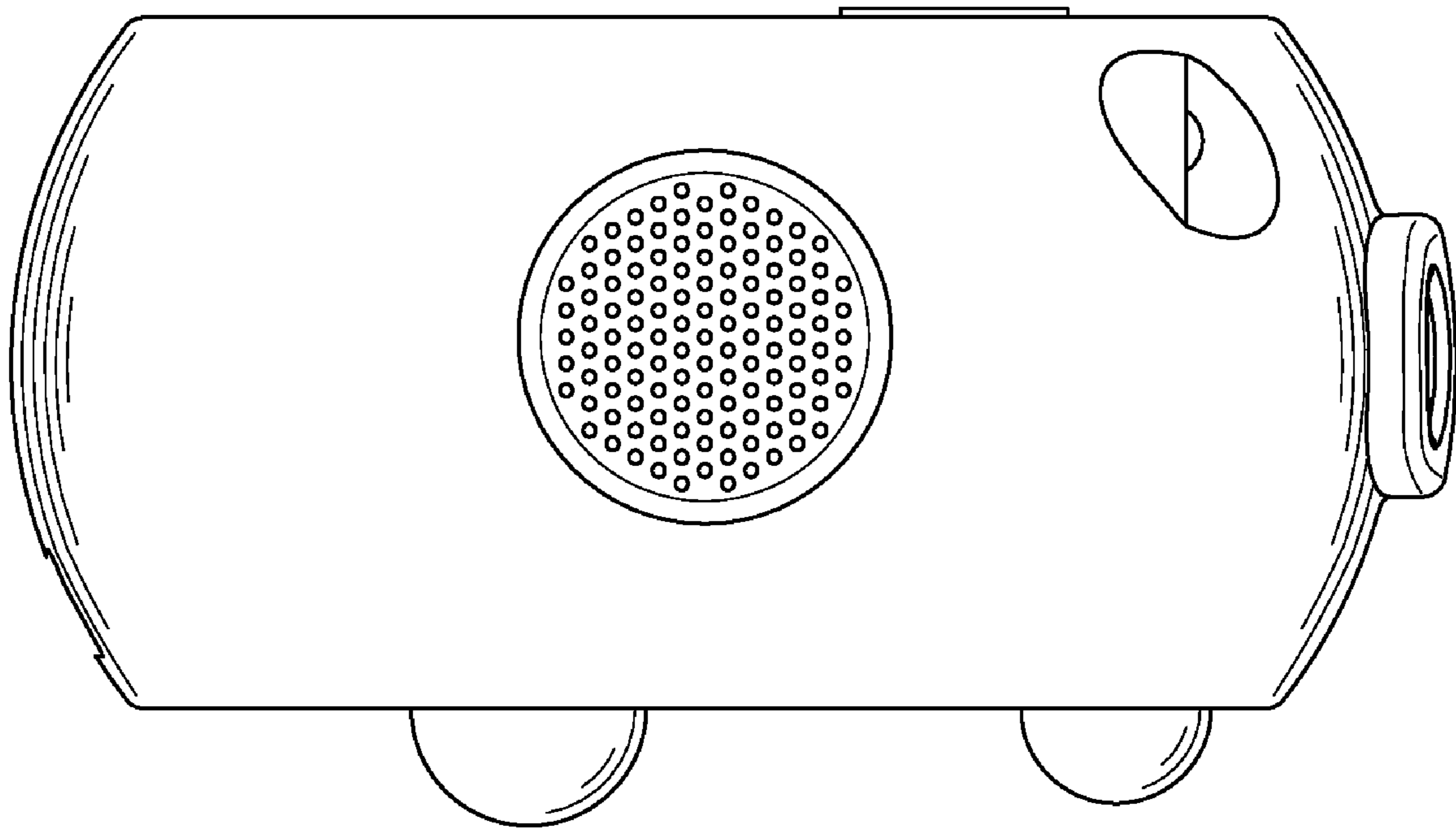


FIG. 4

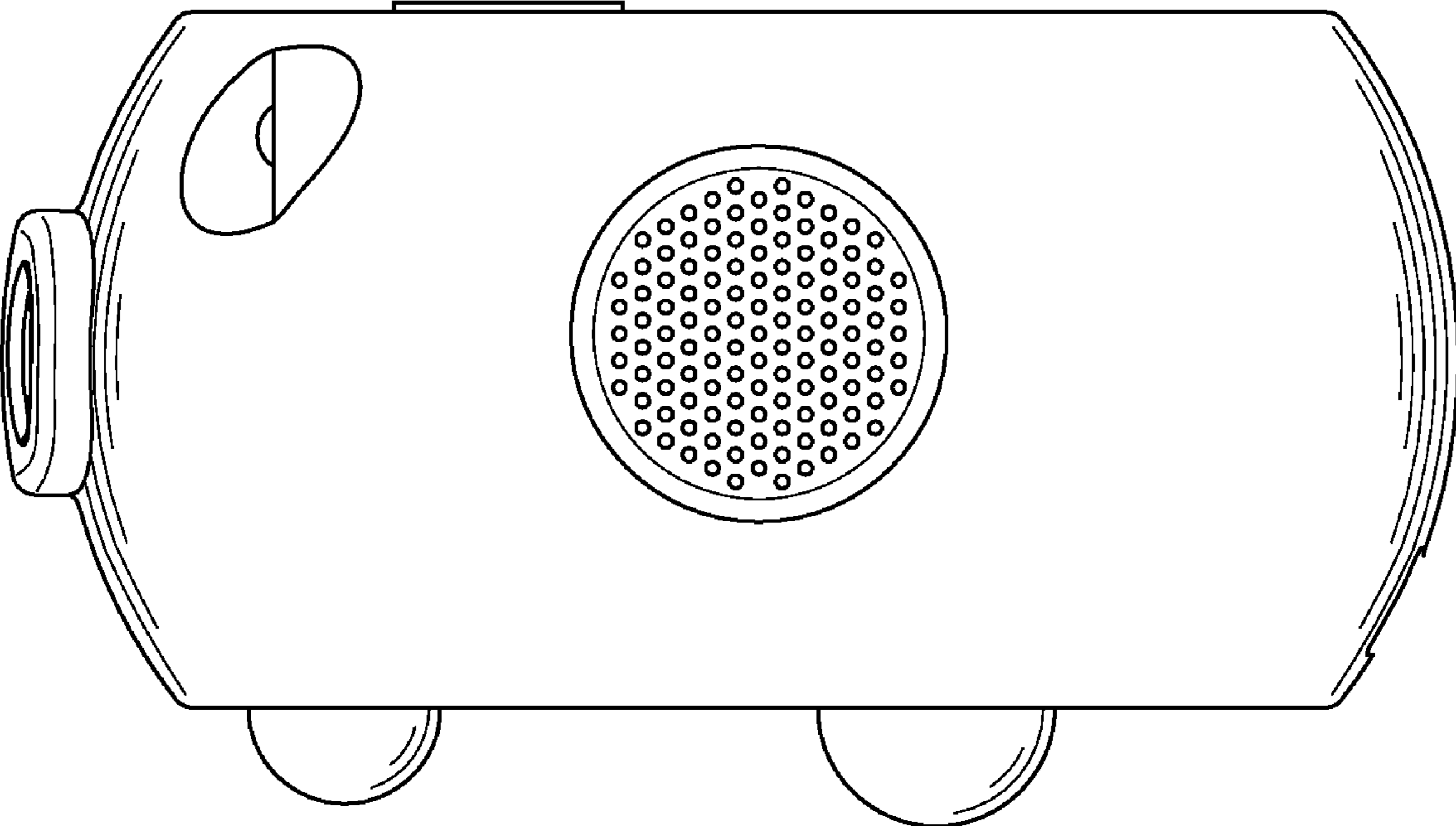


FIG. 5

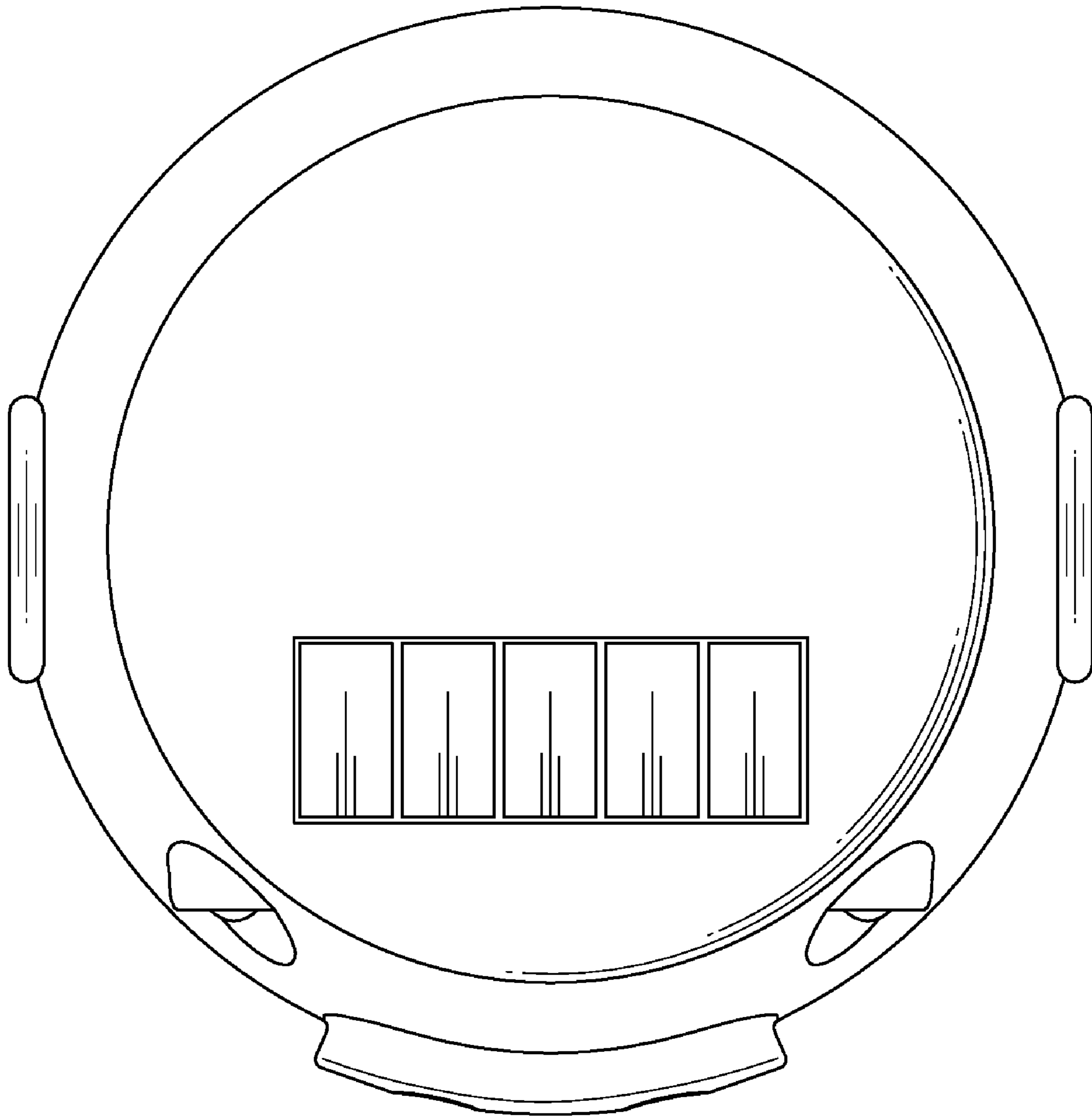


FIG. 6

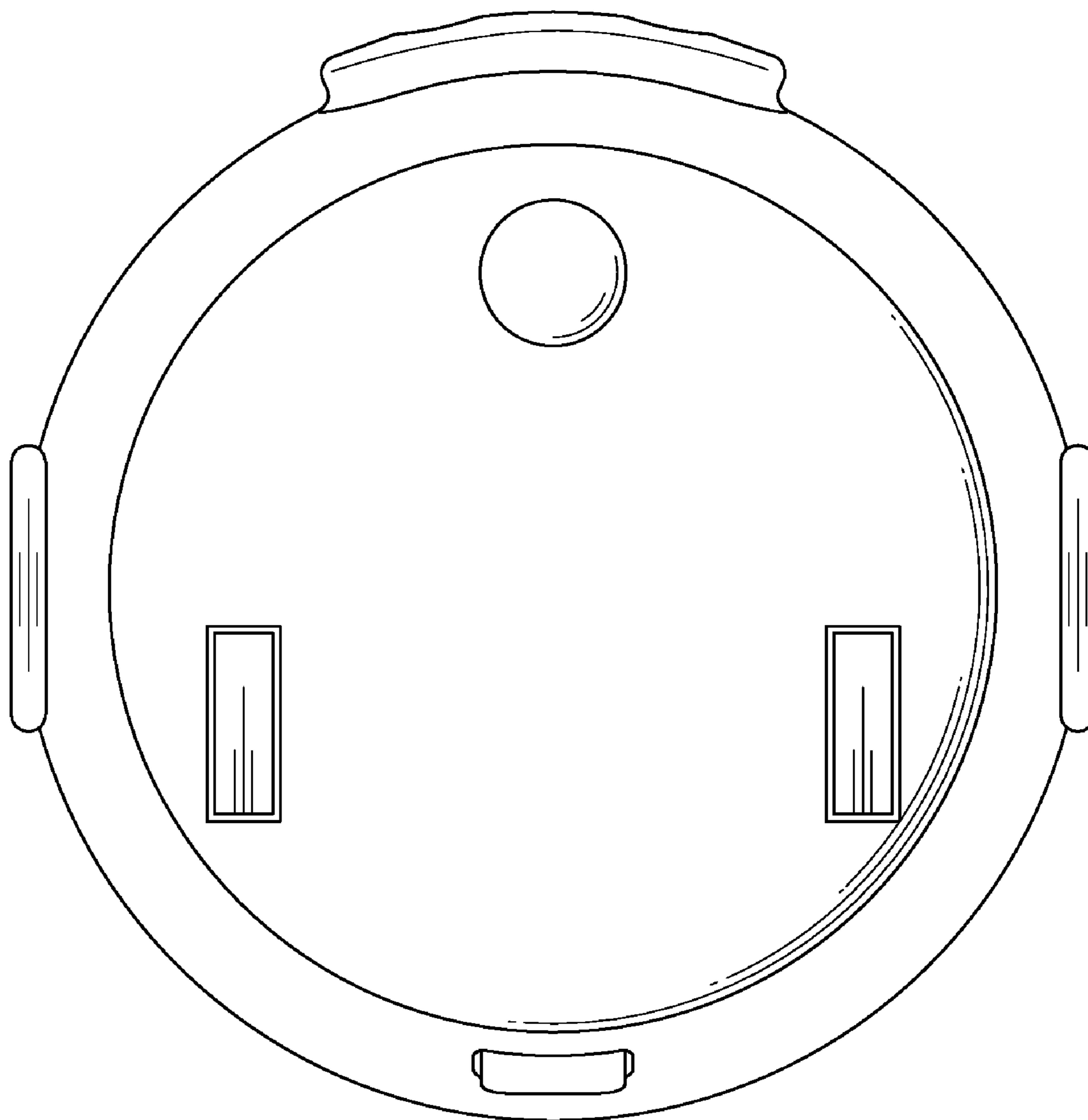


FIG. 7