



US00D599812S

(12) **United States Design Patent**  
**Hirsch**

(10) **Patent No.:** **US D599,812 S**

(45) **Date of Patent:** **\*\* Sep. 8, 2009**

(54) **ANIMATED IMAGE FOR A PORTION OF A DISPLAY SCREEN**

(75) Inventor: **Evan Marc Hirsch**, Seattle, WA (US)

(73) Assignee: **Microsoft Corporation**, Redmond, WA (US)

(\*\*) Term: **14 Years**

(21) Appl. No.: **29/328,457**

(22) Filed: **Nov. 25, 2008**

(51) **LOC (9) Cl.** ..... **32-00**

(52) **U.S. Cl.** ..... **D14/488**

(58) **Field of Classification Search** ..... D14/485-95;  
D18/24-33; D19/6, 52; D20/11; D21/324-33;  
715/700-867, 973-77

See application file for complete search history.

(56) **References Cited**

**U.S. PATENT DOCUMENTS**

5,388,202	A *	2/1995	Squires et al.	715/800
5,754,809	A *	5/1998	Gandre	715/782
5,912,668	A *	6/1999	Sciammarella et al.	715/788
D460,762	S *	7/2002	Wasko	D14/486
D472,244	S *	3/2003	Wasko	D14/486
D475,062	S *	5/2003	Horie	D14/486
6,577,330	B1 *	6/2003	Tsuda et al.	715/782
6,661,467	B1 *	12/2003	Van Der Meer et al.	348/564
D501,211	S *	1/2005	Ligameri et al.	D14/486
6,874,129	B2 *	3/2005	Smith	715/803
D508,494	S *	8/2005	Ligameri	D14/486
6,973,627	B1 *	12/2005	Appling	715/781
D523,440	S *	6/2006	Hernandez et al.	D14/486
D535,659	S *	1/2007	Hally et al.	D14/485
D535,997	S *	1/2007	Cummins et al.	D14/485
7,170,510	B2 *	1/2007	Kawahara et al.	345/419
D544,492	S *	6/2007	Rimas-Ribikauskas et al.	D14/485
D544,877	S *	6/2007	Sasser	D14/486

D545,834	S *	7/2007	Anthony et al.	D14/488
D546,343	S *	7/2007	Anthony et al.	D14/488
D568,892	S *	5/2008	Stabb et al.	D14/485
D570,859	S *	6/2008	Hsiao et al.	D14/486
D582,928	S *	12/2008	Blankenship et al.	D14/485
D582,929	S *	12/2008	Blankenship et al.	D14/485
D584,736	S *	1/2009	Ismail	D14/486
7,480,873	B2 *	1/2009	Kawahara	715/848
D586,359	S *	2/2009	Makoski et al.	D14/486
D586,818	S *	2/2009	Luck	D14/485
D589,967	S *	4/2009	Blankenship et al.	D14/485
D592,218	S *	5/2009	Blankenship et al.	D14/485
7,536,654	B2 *	5/2009	Anthony et al.	715/838

\* cited by examiner

*Primary Examiner*—Melanie H Tung

(74) *Attorney, Agent, or Firm*—Banner & Witcoff, Ltd.

(57) **CLAIM**

The ornamental design for an animated image for a portion of a display screen, as shown and described.

**DESCRIPTION**

FIG. 1 is a first image in the sequence for an animated image for a portion of a display screen showing our new design;

FIG. 2 is the second image thereof;

FIG. 3 is the third image thereof;

FIG. 4 is the fourth image thereof;

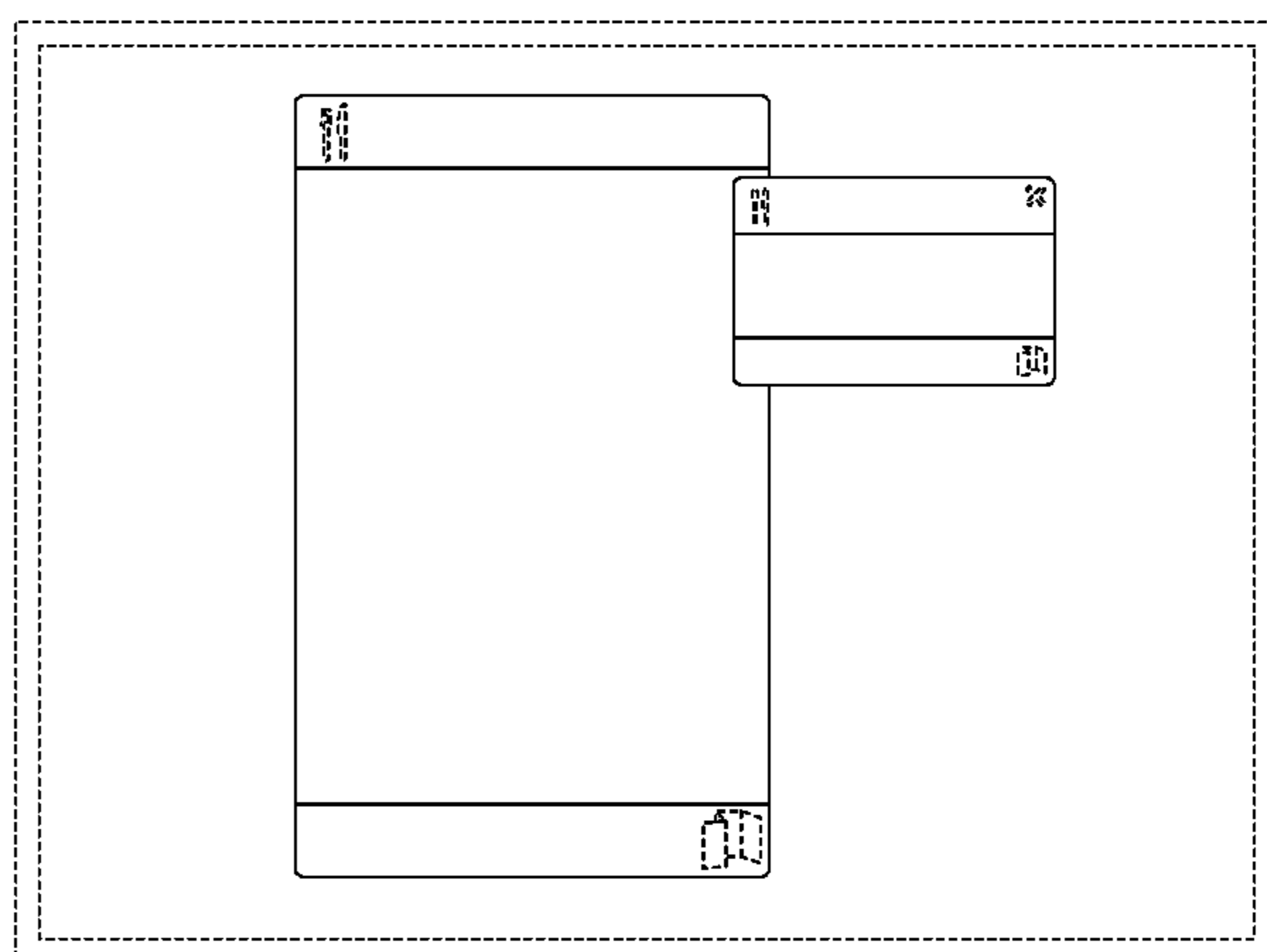
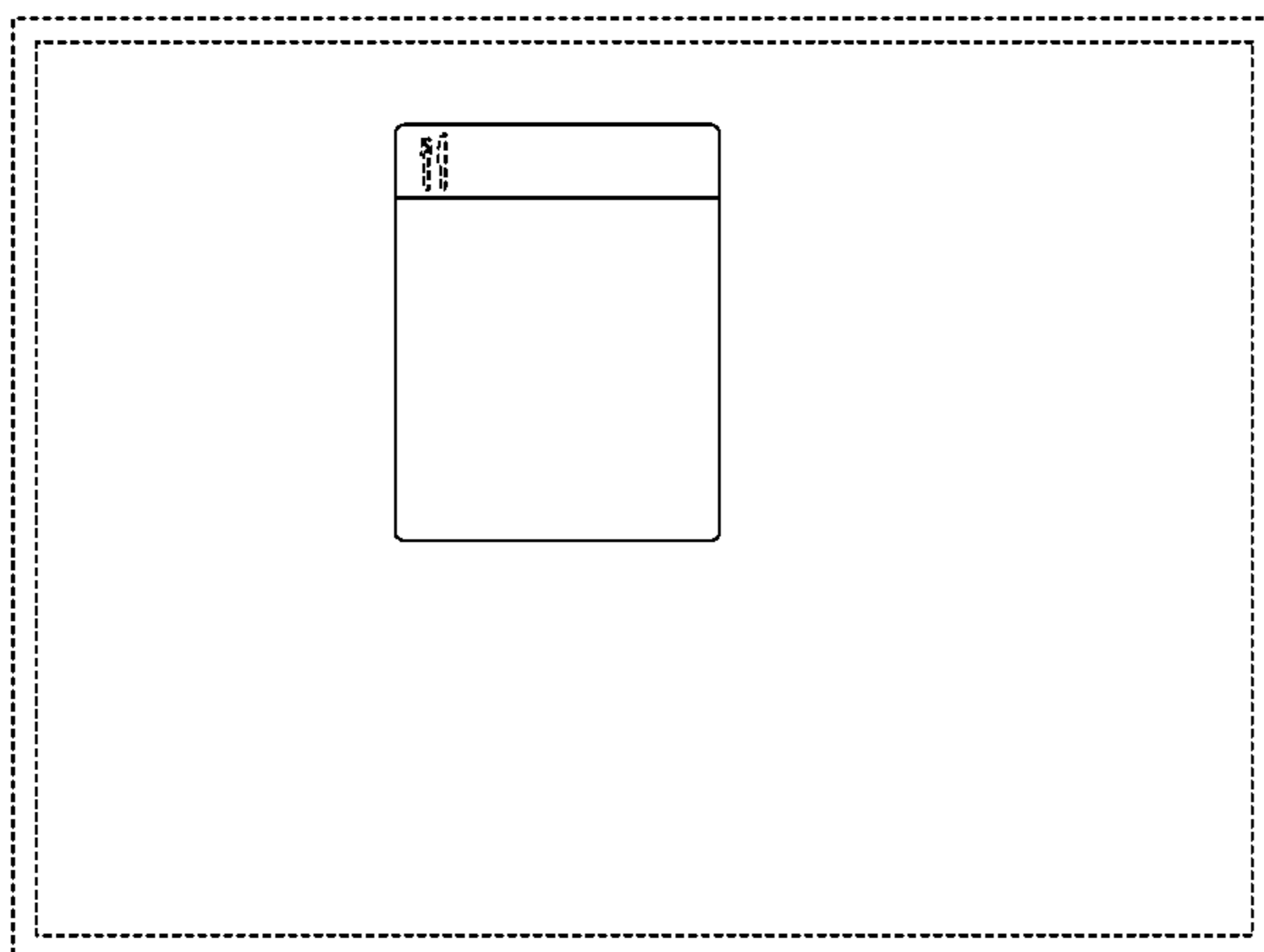
FIG. 5 is the fifth image thereof; and,

FIG. 6 is the sixth image thereof.

The appearance of the animated image sequentially transitions between the images shown in FIGS. 1-6. The process or period in which one image transitions to another forms no part of the claimed design.

The broken line showing of the portion of a display screen, and the elements within the animated image forms no part of the claimed design.

**1 Claim, 6 Drawing Sheets**



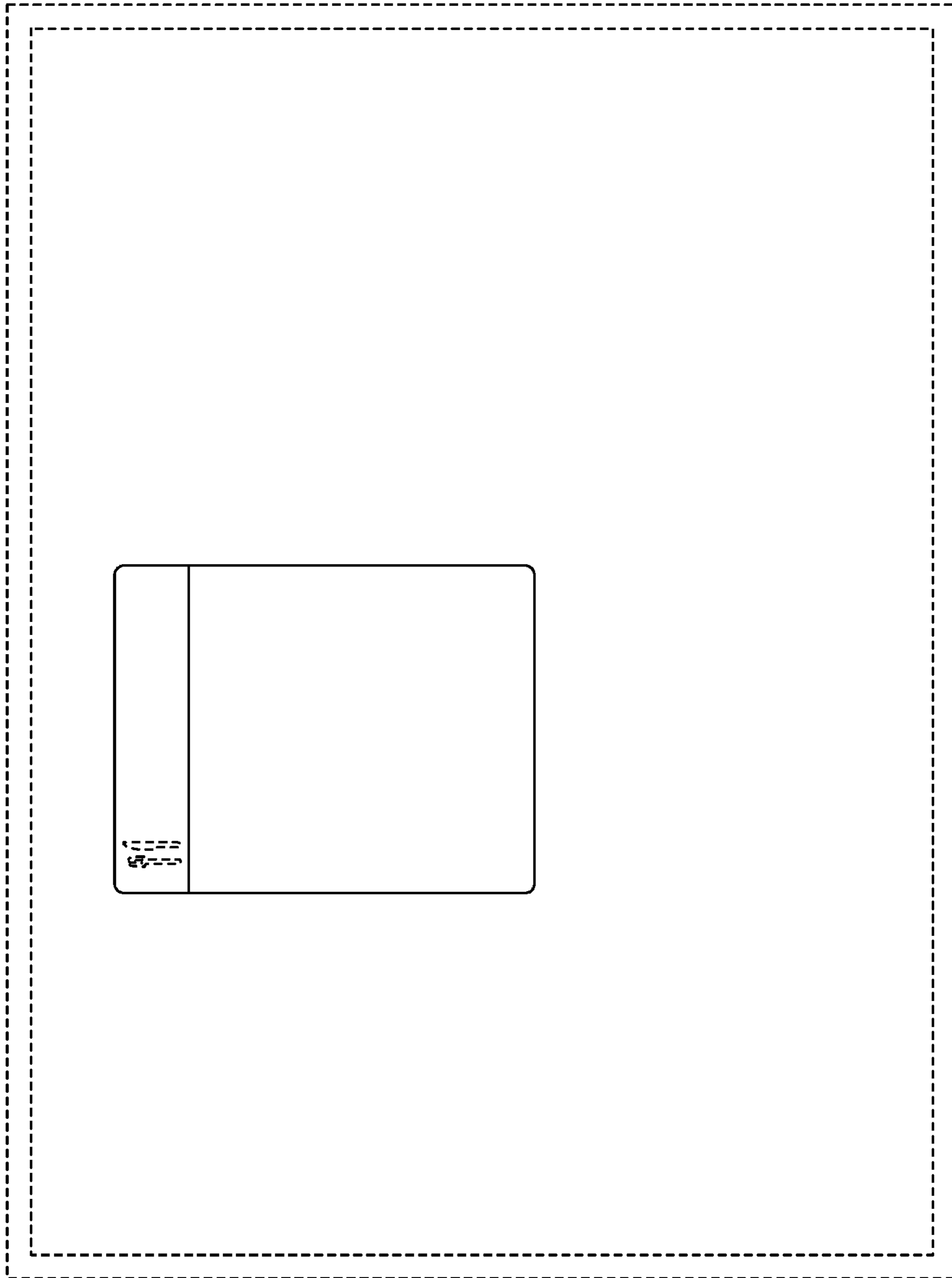


FIG. 1

FIG. 2

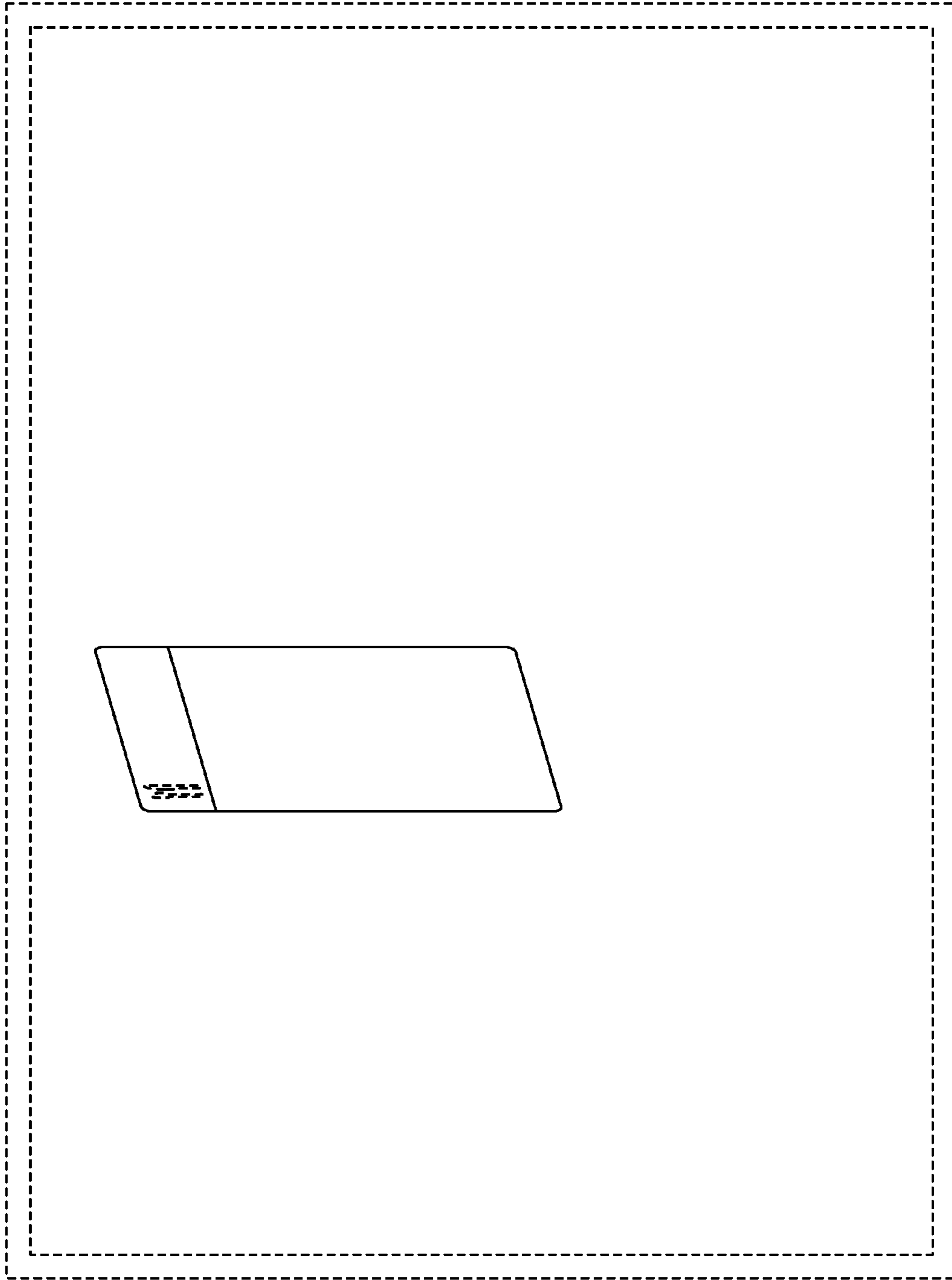


FIG. 3

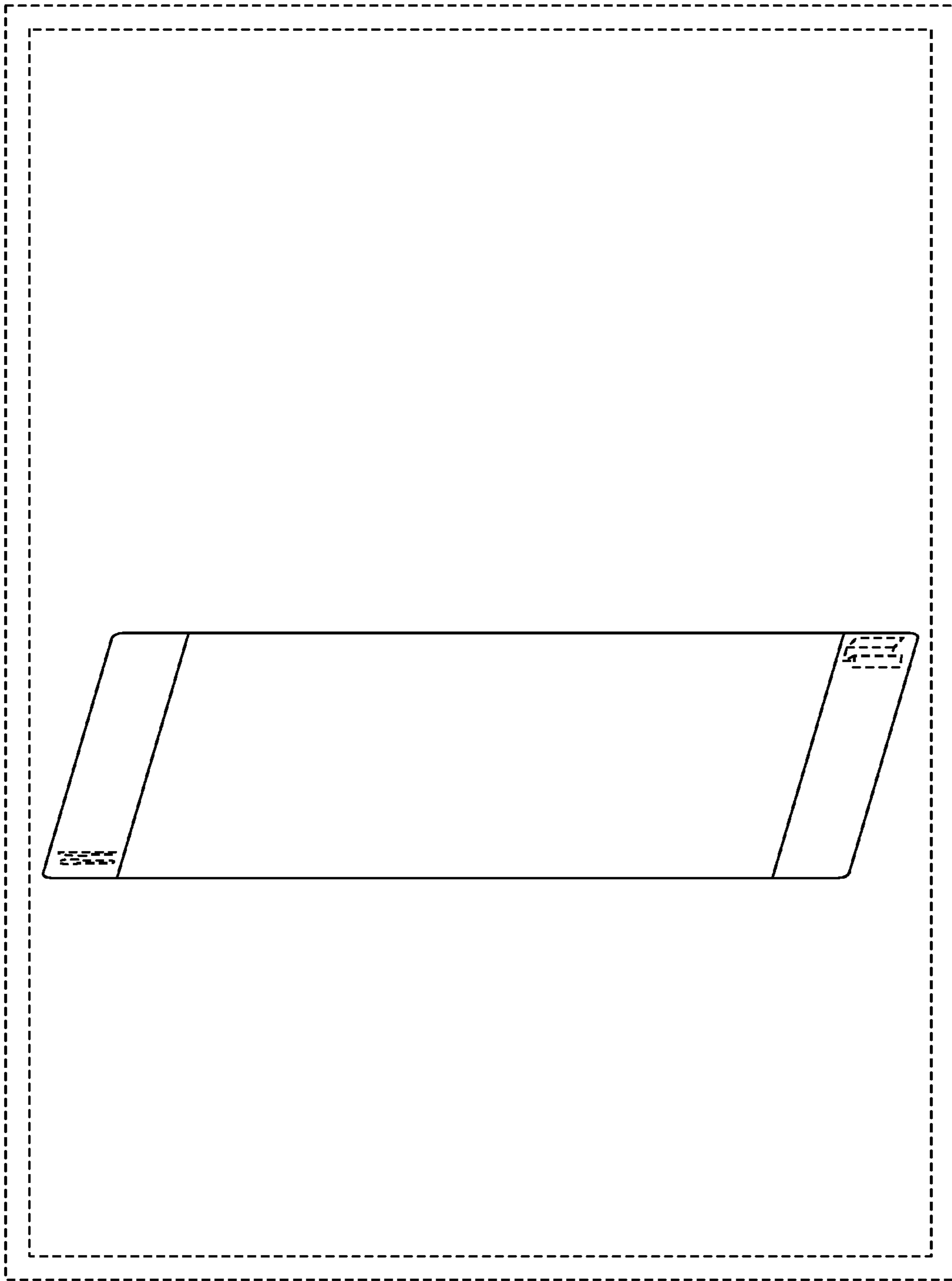
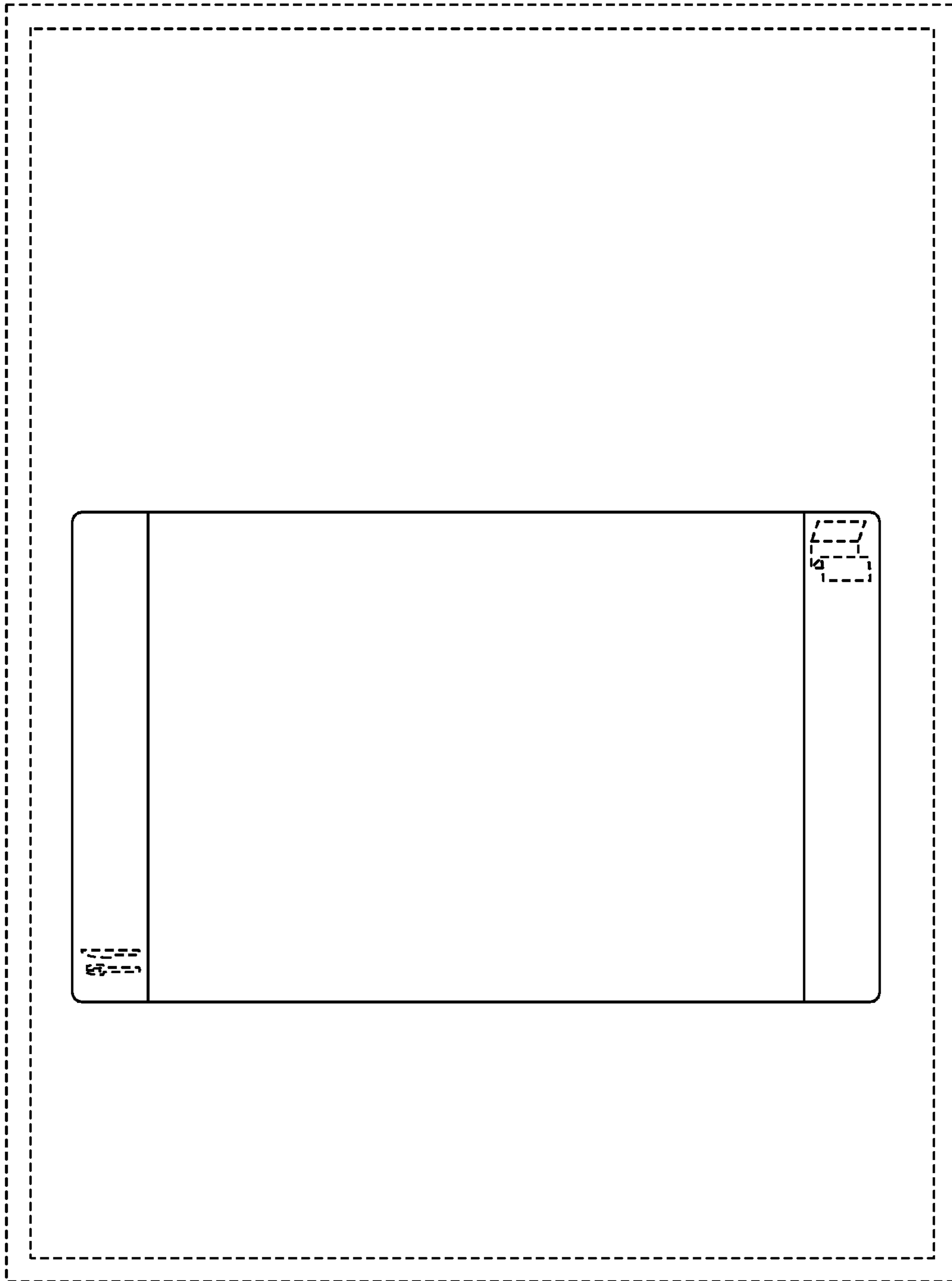


FIG. 4



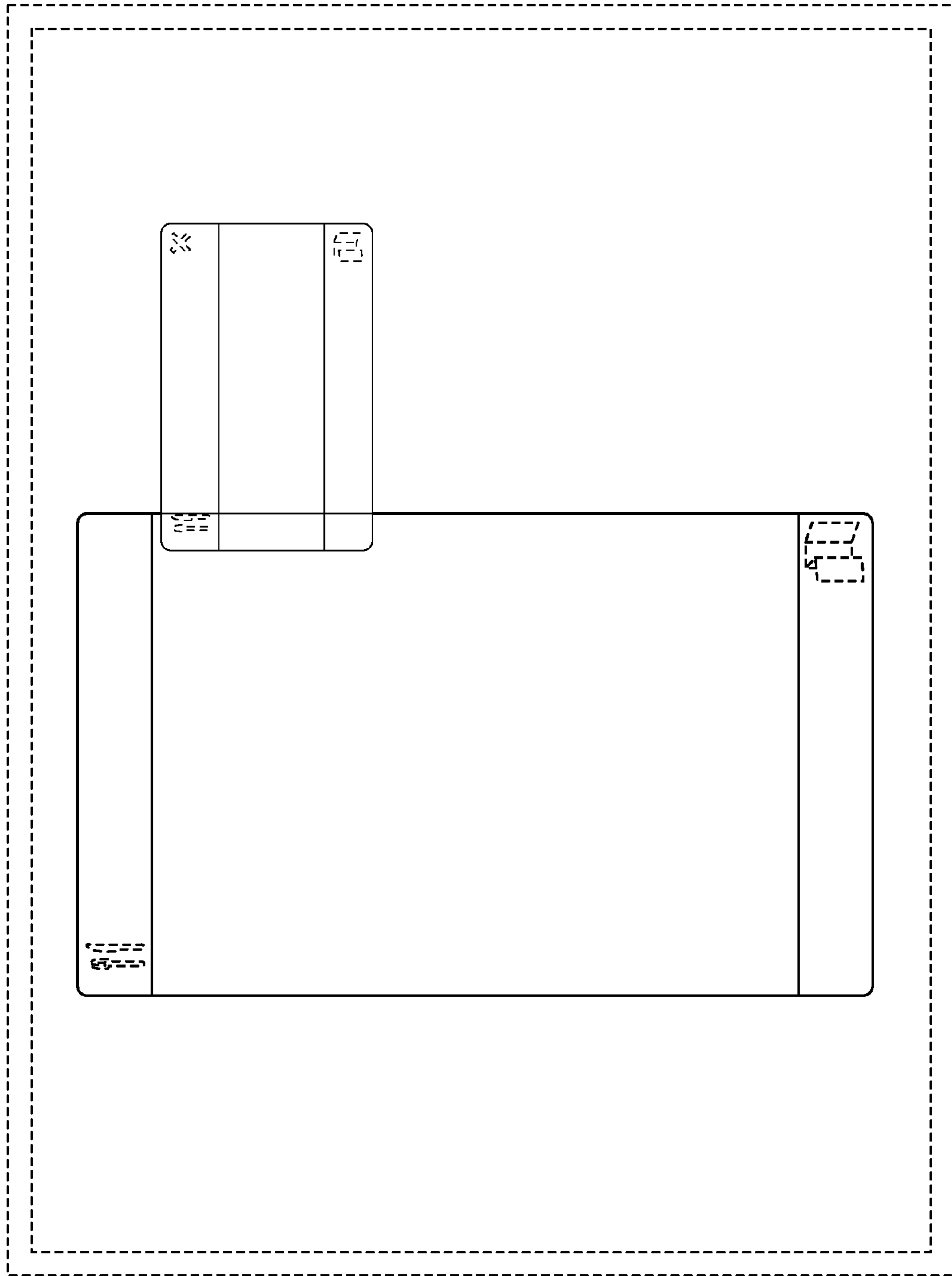


FIG. 5

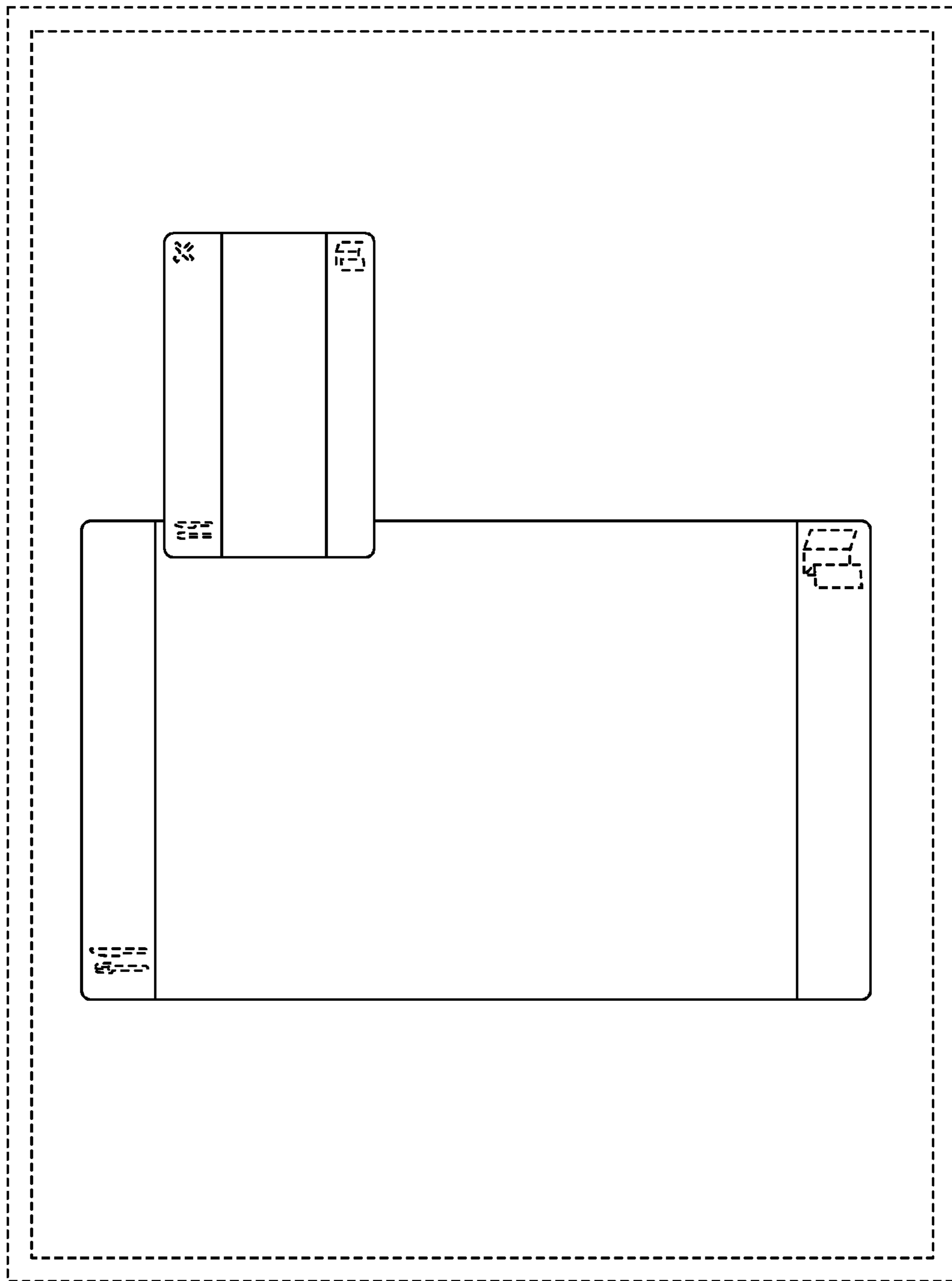


FIG. 6