



US00D599810S

(12) **United States Design Patent**
Scalisi et al.

(10) **Patent No.:** **US D599,810 S**
(45) **Date of Patent:** **** Sep. 8, 2009**

(54) **USER INTERFACE FOR DISPLAYING INFORMATION ASSOCIATED WITH A FIRST ZONE OF COVERAGE OF AN INDIVIDUAL BEING MONITORED BY A LOCATION TRACKING SYSTEM ON A COMPUTER DISPLAY SCREEN**

(75) Inventors: **Joseph F. Scalisi**, Yorba Linda, CA (US); **Desiree Mejia**, Redondo Beach, CA (US); **David M. Morse**, Laguna Hills, CA (US); **Michael L. Beydler**, Irvine, CA (US)

(73) Assignee: **Location Based Technologies, Inc.**, Anaheim, CA (US)

(**) Term: **14 Years**

(21) Appl. No.: **29/334,544**

(22) Filed: **Mar. 27, 2009**

Related U.S. Application Data

(62) Division of application No. 29/298,606, filed on Dec. 7, 2007, now Pat. No. Des. 591,762.

(51) **LOC (9) Cl.** **32-00**

(52) **U.S. Cl.** **D14/485**

(58) **Field of Classification Search** D14/485-495;
705/28; 715/700, 703, 709, 712, 716, 719,
715/720, 721, 727, 728, 752, 753, 757, 768,
715/771, 772, 777, 782, 808, 809, 810, 812,
715/819, 820, 821, 825, 833, 834, 835, 836,
715/837, 838, 839, 840, 841, 842, 843, 846,
715/848, 849, 850, 851, 852, 856, 861, 864,
715/961, 962, 963, 970, 977

See application file for complete search history.

(56) **References Cited**

U.S. PATENT DOCUMENTS

5,465,324 A * 11/1995 Lee et al. 345/642

D456,817 S *	5/2002	Graham	D14/487
D485,279 S *	1/2004	DeCombe	D14/486
D497,617 S *	10/2004	Decombe et al.	D14/486
6,886,138 B2 *	4/2005	Laffey et al.	715/860
6,910,843 B2 *	6/2005	Saw et al.	412/19
6,961,906 B2 *	11/2005	Hansen et al.	715/767
D582,936 S *	12/2008	Scalisi et al.	D14/486
D591,762 S *	5/2009	Scalisi et al.	D14/485
2002/0054144 A1 *	5/2002	Morris-Yates	345/809
2008/0148184 A1 *	6/2008	Davis	715/810
2009/0064023 A1 *	3/2009	Kudo	715/771
2009/0117921 A1 *	5/2009	Beydler et al.	455/457
2009/0158146 A1 *	6/2009	Curtis et al.	715/700

* cited by examiner

Primary Examiner—Jennifer Rivard

Assistant Examiner—Angela J Lee

(74) *Attorney, Agent, or Firm*—Law Office of Robert E. Kasody, P.C.

(57) **CLAIM**

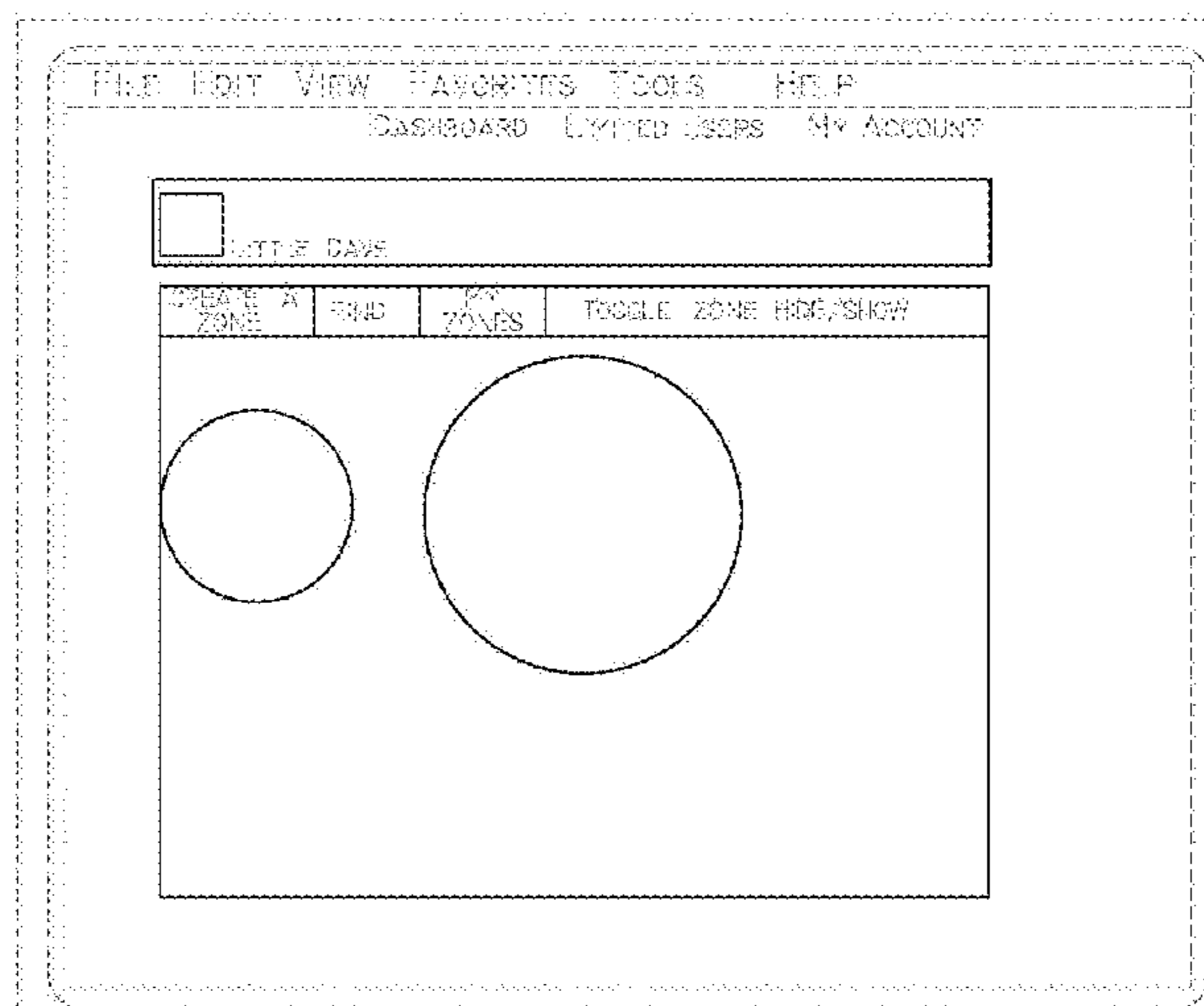
The ornamental design for a user interface for displaying information associated with a first zone of coverage of an individual being monitored by a location tracking system for a computer display screen, as shown and described.

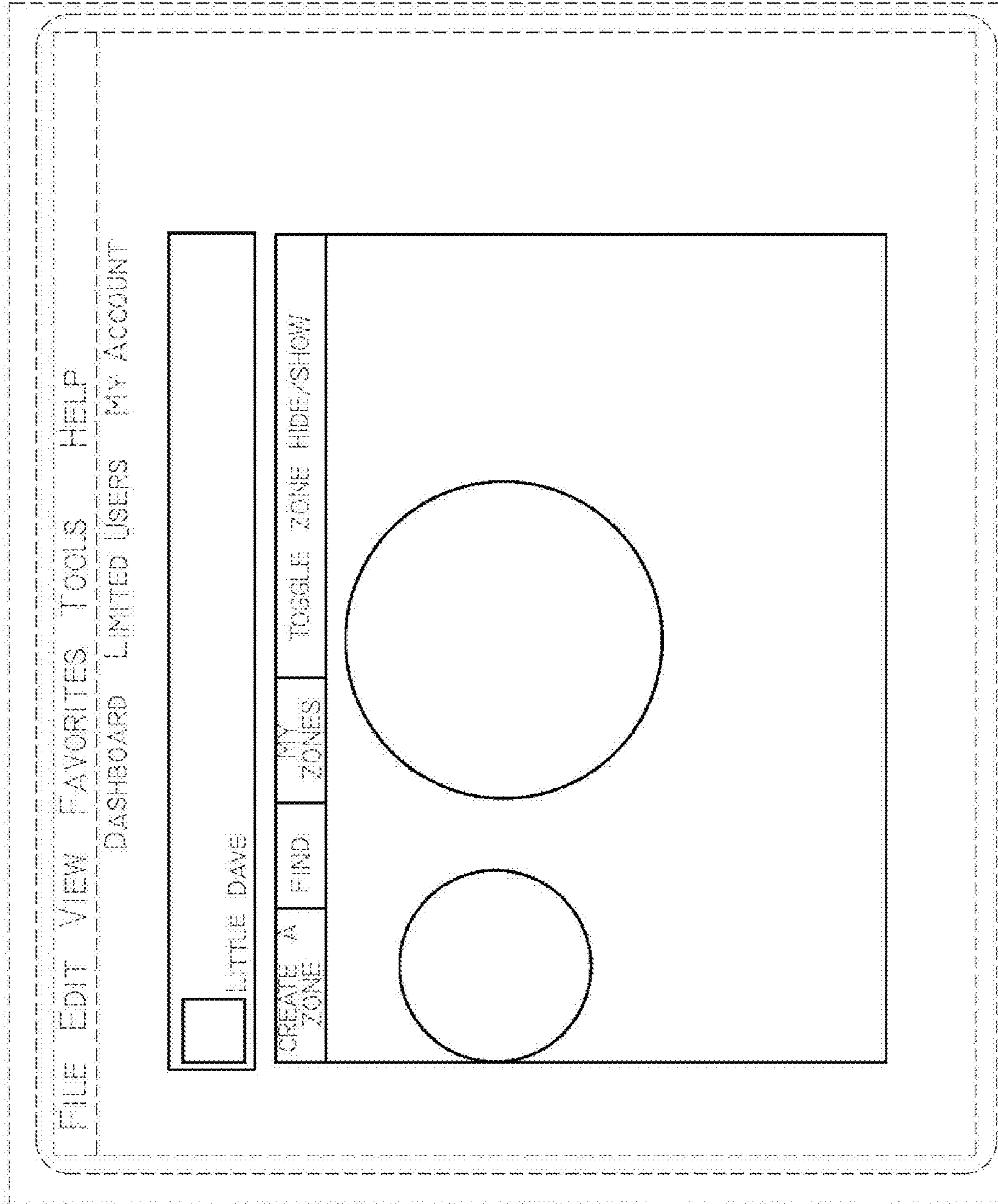
DESCRIPTION

FIGURE is a plan view of a user interface for displaying information associated with a first zone of coverage of an individual being monitored by a location tracking system for a computer display screen of an embodiment of the invention.

The broken lines showing the computer display screen is included for the purpose of illustrating environment and forms no part of the claimed design. The text and other elements shown in broken lines within and about the computer display screen form no part of the claimed design.

1 Claim, 1 Drawing Sheet





FIGURE