

US00D599805S

(12) **United States Design Patent**  
**Perrier et al.**

(10) **Patent No.:** **US D599,805 S**  
(45) **Date of Patent:** **\*\* Sep. 8, 2009**

(54) **STORAGE DEVICE**

D522,506 S 6/2006 Chen et al.  
D524,811 S 7/2006 Kent et al.  
D527,477 S \* 8/2006 Chen ..... D14/432

(75) Inventors: **R. Sylvain Perrier**, Ottawa (CA);  
**Jeremy List**, Ottawa (CA); **Cliff Read**,  
Carp (CA); **Jason Busschaert**, Towson,  
MD (US); **Mark Edey**, Ottawa (CA);  
**James D. Miller**, Holland Landing (CA);  
**Howard W. Overland**, Aurora (CA)

(Continued)

**OTHER PUBLICATIONS**

Card Driver—For SD/MMC—SG361A, p. 1 [online], [retrieved on  
Jan. 25, 2007]. Retrieved from the Internet <URL: <http://www.singim.com/english/e/productsmain.htm>>.\*

(Continued)

(73) Assignee: **Springboard Retail Networks  
Licensing SRL** (BB)

*Primary Examiner*—Cathron C Brooks  
*Assistant Examiner*—Karen E Kearney

(\*\*) Term: **14 Years**

(74) *Attorney, Agent, or Firm*—Birch, Stewart, Kolasch and  
Birch, LLP

(21) Appl. No.: **29/300,365**

(22) Filed: **Mar. 19, 2008**

**Related U.S. Application Data**

(62) Division of application No. 29/241,457, filed on Oct.  
28, 2005, now Pat. No. Des. 567,239.

**Foreign Application Priority Data**

(30) Apr. 29, 2005 (CA) ..... 110970

(51) **LOC (9) Cl.** ..... **14-99**

(52) **U.S. Cl.** ..... **D14/480.5**

(58) **Field of Classification Search** ..... D14/436,  
D14/411, 384-5, 518, 348, 432-5, 299, 167,  
D14/402, 242, 356, 496, 156, 240; 439/518,  
439/139, 141, 144, 140, 638; 710/74, 62;  
361/684, 679.31

See application file for complete search history.

(56) **References Cited**

**U.S. PATENT DOCUMENTS**

6,612,853 B2 \* 9/2003 Wu ..... 439/136  
D511,770 S 11/2005 Chung et al.  
6,973,449 B2 12/2005 Meltzer  
6,999,322 B1 2/2006 Lin et al.  
D521,509 S 5/2006 Chen

(57) **CLAIM**

The ornamental design for a storage device, as shown and  
described.

**DESCRIPTION**

FIG. 1 is a top perspective view of a first embodiment of the  
storage device;

FIG. 2 is a bottom perspective view of the storage device of  
FIG. 1;

FIG. 3 is a top plan view of the storage device of FIG. 1;

FIG. 4 is a bottom plan view of the storage device of FIG. 1;

FIG. 5 is the left side elevation view of the storage device of  
FIG. 1;

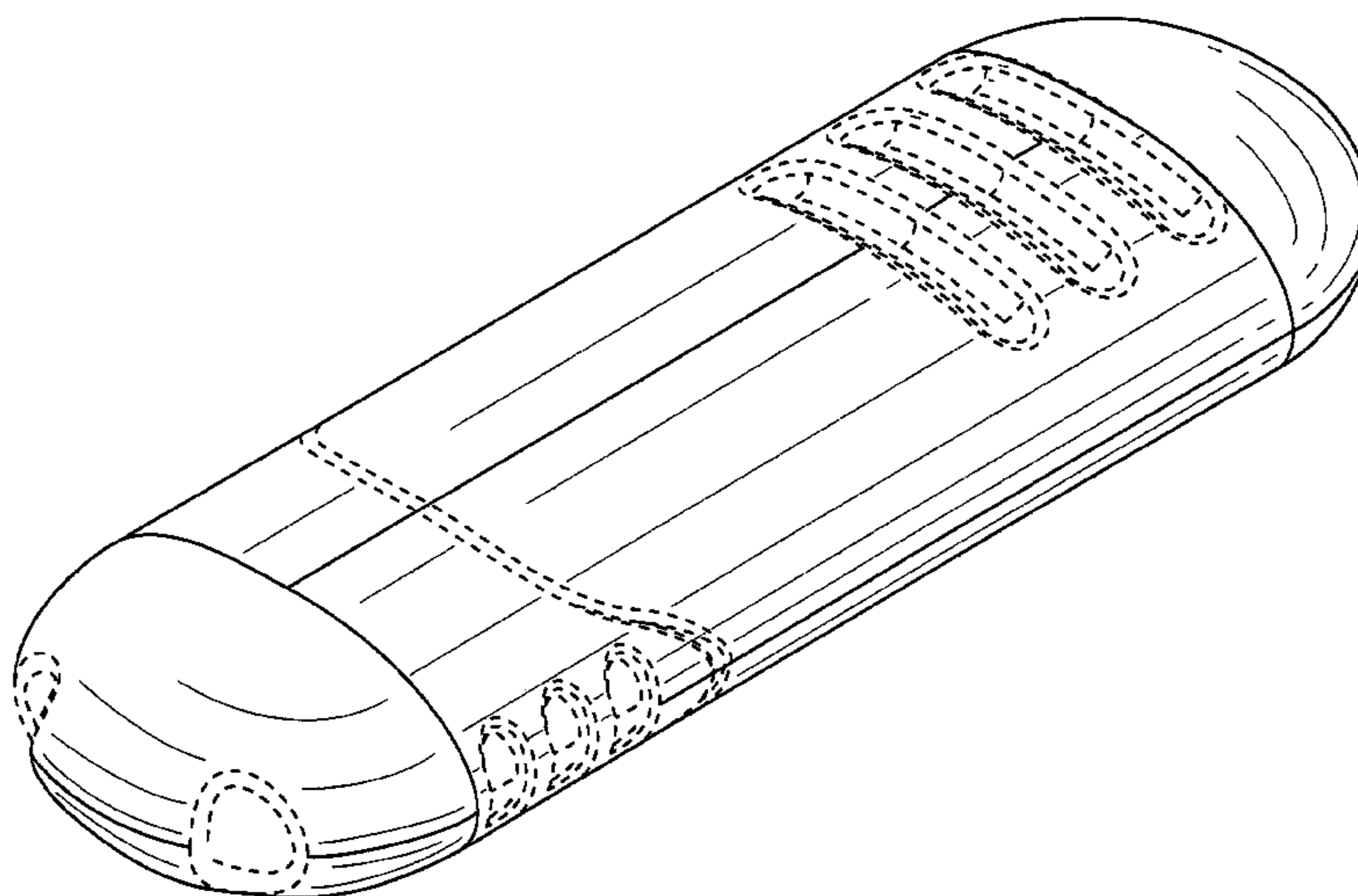
FIG. 6 is the right side elevation view of the storage device of  
FIG. 1;

FIG. 7 is rear view of the storage device of FIG. 1; and,

FIG. 8 is the front view of the storage device of FIG. 1.

The broken lines shown are included for the purpose of illus-  
trating unclaimed portions of the design, and form no part of  
the claimed design.

**1 Claim, 5 Drawing Sheets**



# US D599,805 S

Page 2

## U.S. PATENT DOCUMENTS

D546,325 S 7/2007 Chen et al.  
D546,327 S \* 7/2007 Chen ..... D14/356  
7,241,153 B2 7/2007 He et al.  
D551,668 S 9/2007 Newby et al.  
D554,119 S 10/2007 Otsuka et al.  
D555,665 S \* 11/2007 Yeo ..... D14/496  
D556,752 S \* 12/2007 Otsuka ..... D14/356  
D567,239 S \* 4/2008 Perrier et al. .... D14/356  
D580,456 S \* 11/2008 Oh et al. .... D14/496  
7,454,531 B2 \* 11/2008 Shih ..... 710/13  
D583,374 S \* 12/2008 Otsuka ..... D14/356  
D585,077 S \* 1/2009 Sheba et al. .... D14/496  
7,479,041 B1 \* 1/2009 Chen ..... 439/630  
D586,800 S \* 2/2009 Andre et al. .... D14/341

D588,611 S \* 3/2009 Oh et al. .... D14/496

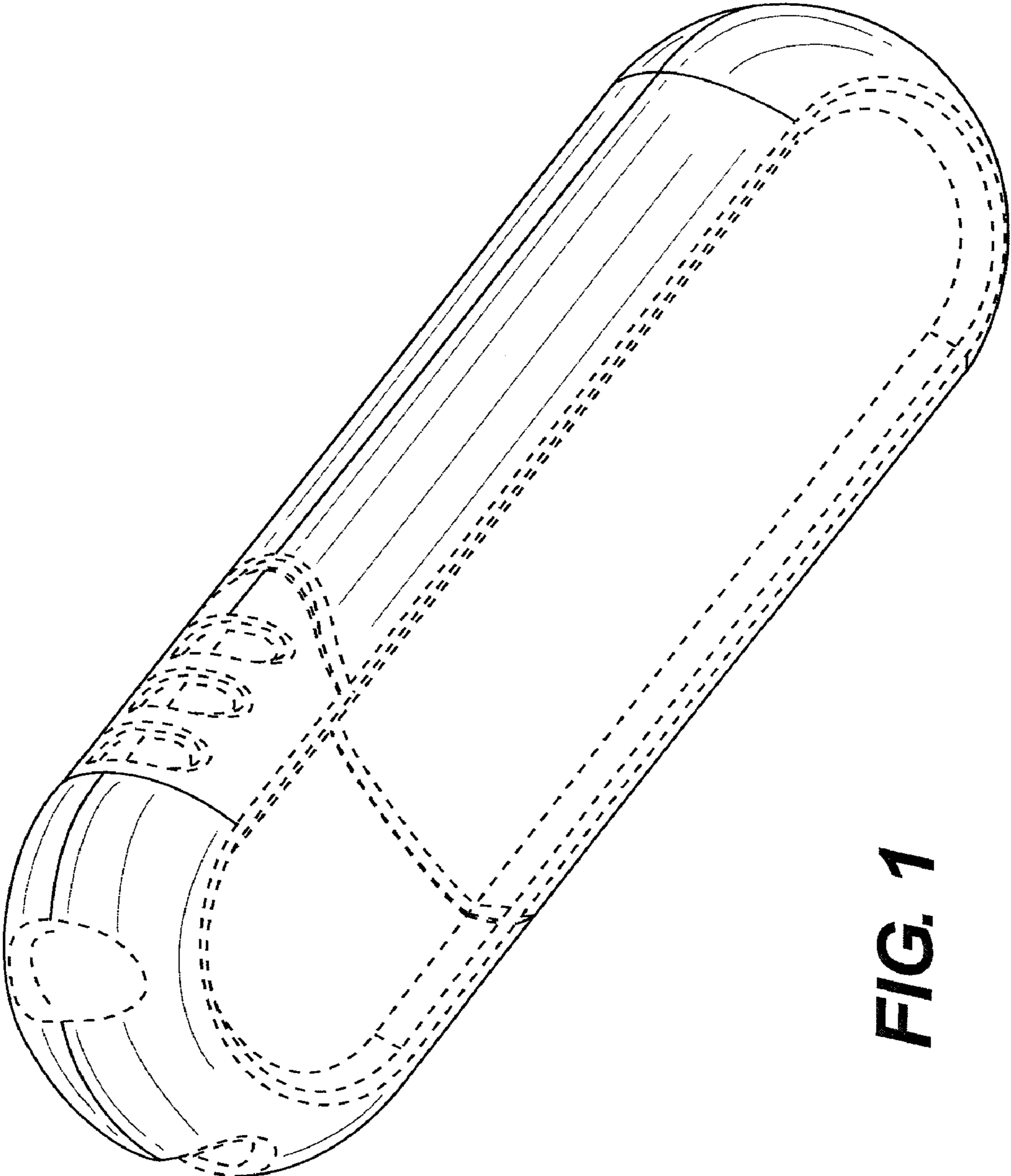
## OTHER PUBLICATIONS

Movable Type Publishing Platform Flash Drive, Web Archive [online] May 2, 2006 [retrieved on Dec. 13, 2006]. Retrieved from the Internet <URL: [http://web.archive.org/web/20060502181401/http://www.sixapart.com/i/movable\\_type\\_flash\\_drive\\_32mb.jpg](http://web.archive.org/web/20060502181401/http://www.sixapart.com/i/movable_type_flash_drive_32mb.jpg)>.\*

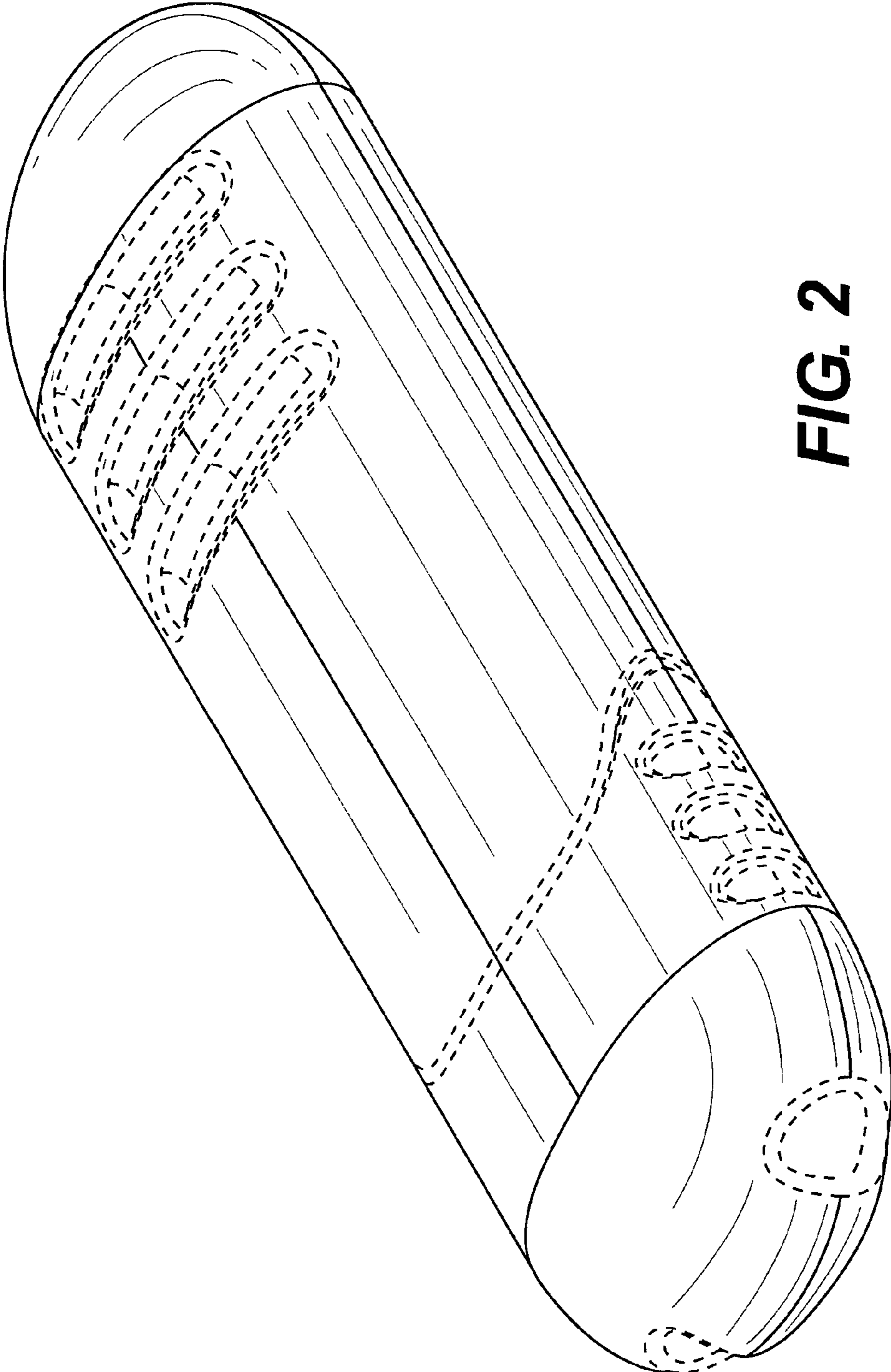
Gear Live | Home: Mustek Ships New Bluetooth Dongle, p. 12 [online] Jul. 21, 2006 [retrieved on Dec. 13, 2006]. Retrieved from the Internet <URL: <http://www.gearlive.com/index.php/news/category/USB/>>.\*

OAMI-Online—RCD-Online—Design No. 000359310-001, filing date: Jun. 22, 2005, by I-Ming Chen.\*

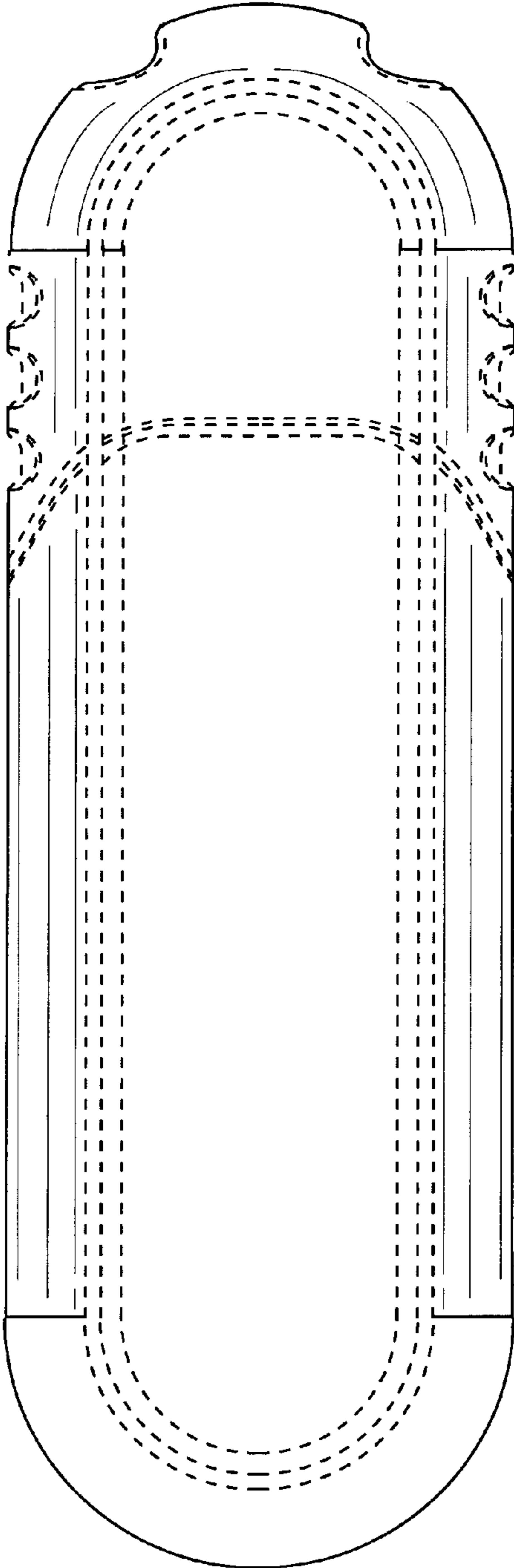
\* cited by examiner



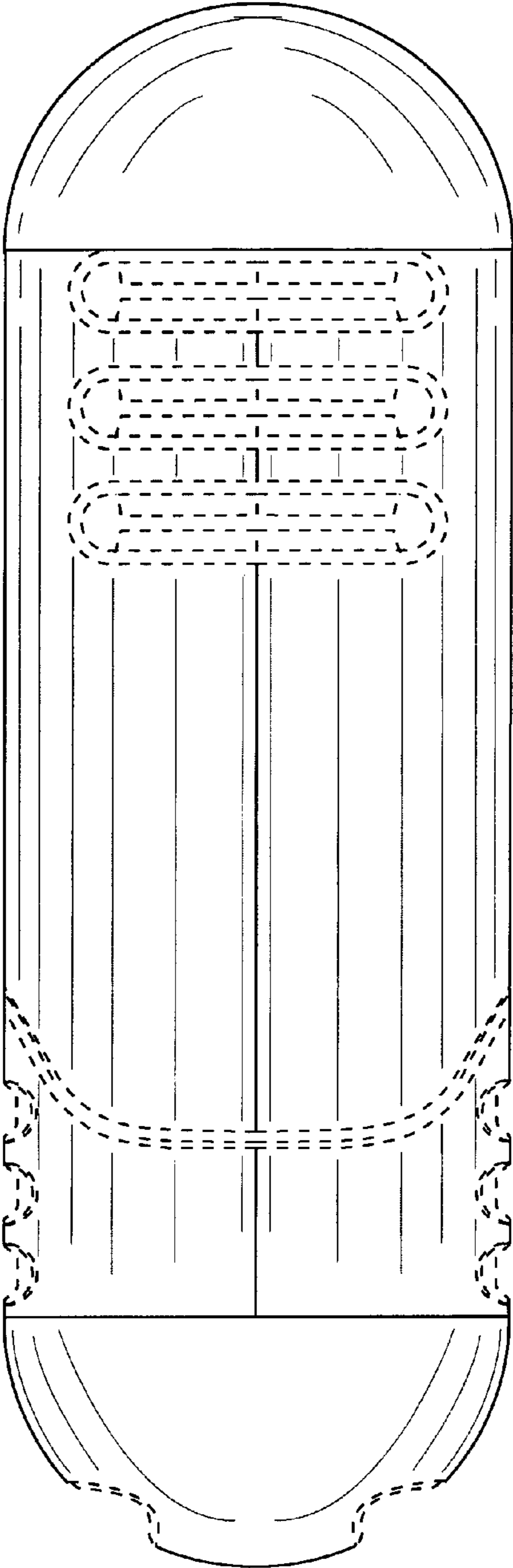
**FIG. 1**



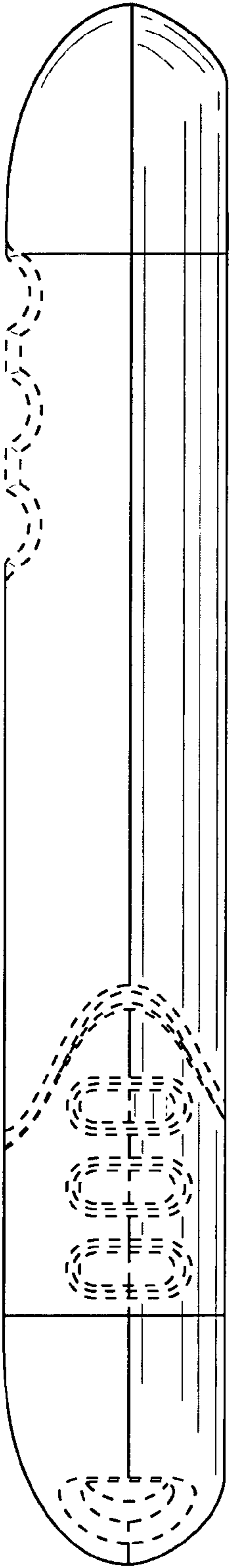
**FIG. 2**



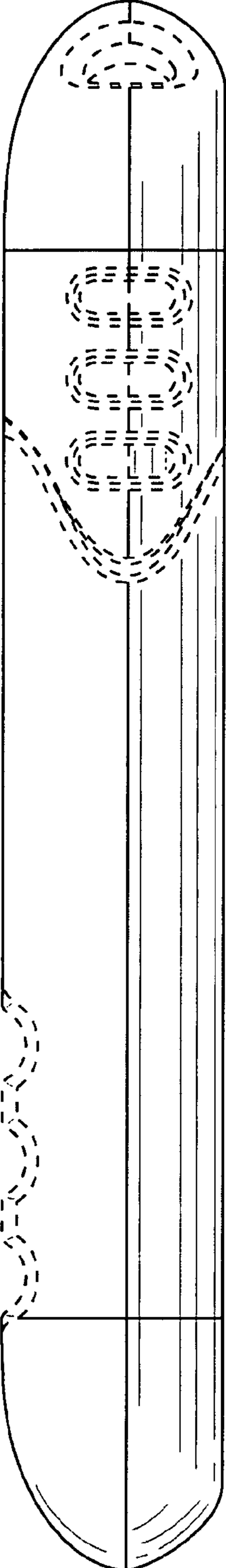
**FIG. 3**



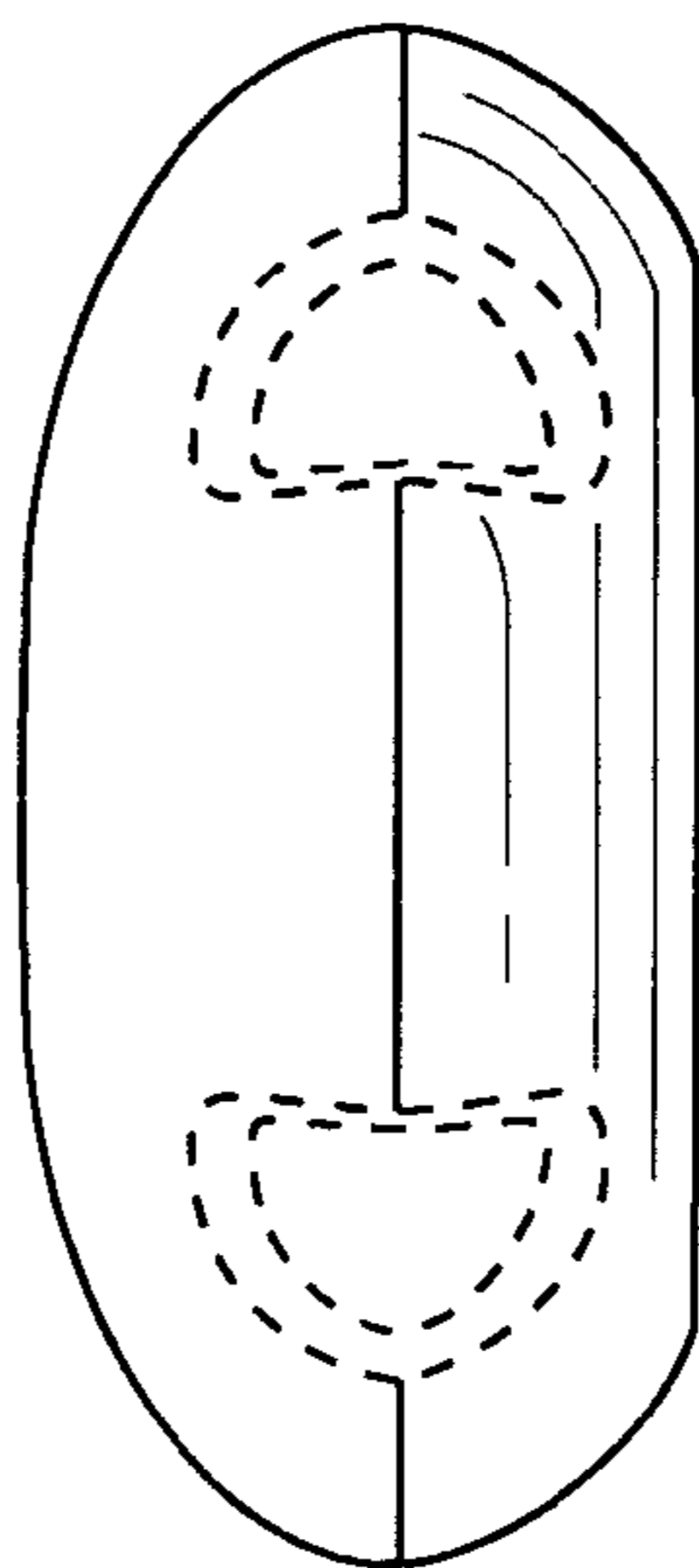
**FIG. 4**



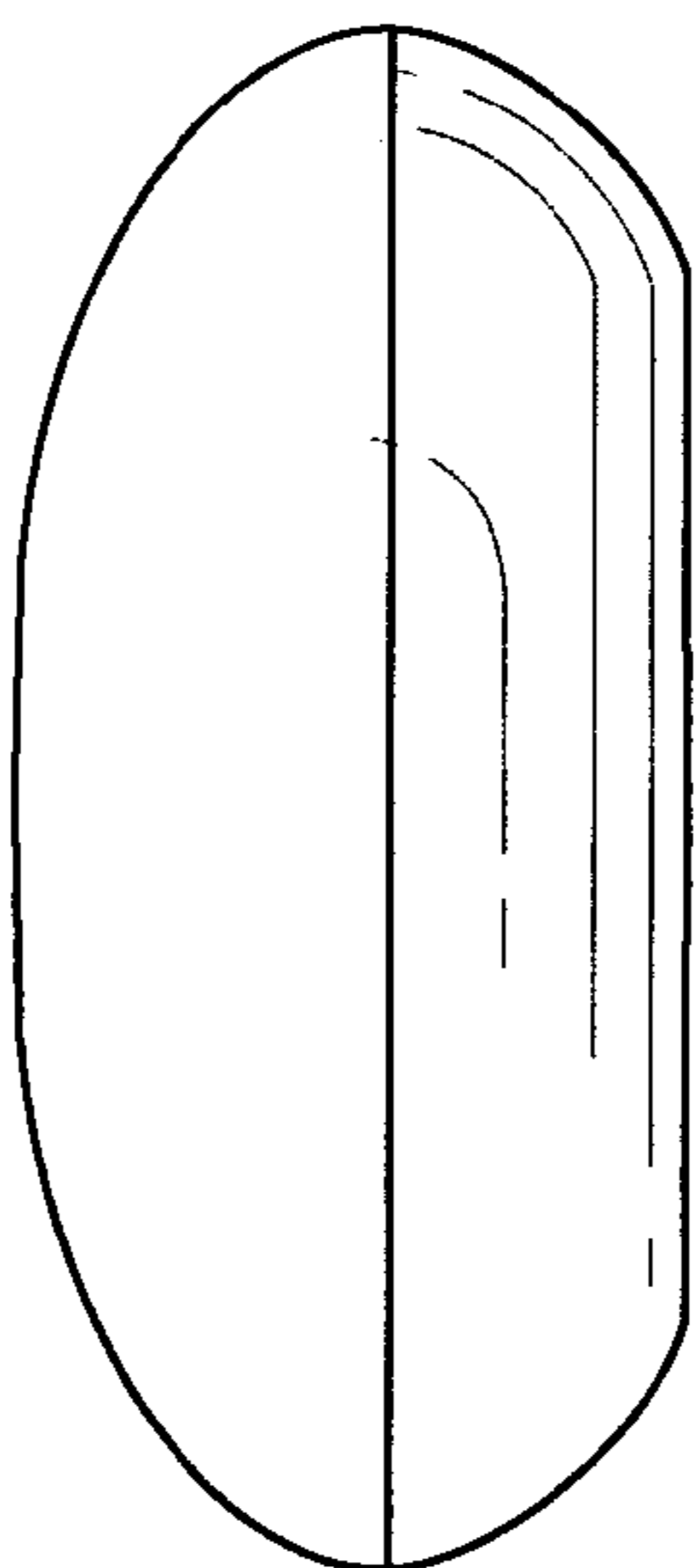
**FIG. 5**



**FIG. 6**



**FIG. 7**



**FIG. 8**