



US00D599804S

(12) **United States Design Patent**
Wang et al.

(10) **Patent No.:** **US D599,804 S**
(45) **Date of Patent:** **** Sep. 8, 2009**

- (54) **FUNCTION KEYS FOR A PORTABLE ELECTRONIC DEVICE**
- (75) Inventors: **Jun Wang**, Shenzhen (CN); **Hsiao-Hua Tu**, Shindian (TW); **Wen-Wei Song**, Shenzhen (CN); **Ying-Zhuo Wang**, Shenzhen (CN); **Peng Zhao**, Shenzhen (CN)
- (73) Assignee: **FIH (Hong Kong) Limited**, Kowloon (HK)
- (**) Term: **14 Years**
- (21) Appl. No.: **29/320,406**
- (22) Filed: **Jun. 26, 2008**
- (30) **Foreign Application Priority Data**
Mar. 5, 2008 (CN) 2008 3 0300192

D476,329 S *	6/2003	Miao et al.	D14/346
D479,214 S *	9/2003	Bertrand et al.	D14/138 AD
D479,527 S *	9/2003	Eigenstetter et al.	D14/346
D488,471 S *	4/2004	Yagawa et al.	D14/346
D492,306 S *	6/2004	Martin et al.	D14/346
D516,555 S *	3/2006	Page	D14/345
D518,043 S *	3/2006	Barness et al.	D14/346
D558,834 S *	1/2008	Au Yeung	D21/329
D584,297 S *	1/2009	Furuno et al.	D14/247
2004/0132498 A1 *	7/2004	Clabunde et al.	455/566
2005/0163310 A1 *	7/2005	Lundell et al.	379/433.07
2008/0132285 A1 *	6/2008	Kwak et al.	455/566

* cited by examiner

Primary Examiner—Jennifer Rivard

Assistant Examiner—Angela J Lee

(74) *Attorney, Agent, or Firm*—Steven M. Reiss

- (51) **LOC (9) Cl.** **14-02**
- (52) **U.S. Cl.** **D14/455; D14/247**
- (58) **Field of Classification Search** D14/341, D14/342, 343, 344, 345, 346, 347, 138 R, D14/138 AA, 138 AB, 138 AC, 138 AD, D14/138 C, 138 G, 315, 316, 320, 331, 333, D14/334, 335, 338, 339, 340, 387, 390, 391, D14/392, 393, 394, 395, 396, 397, 398, 399, D14/400, 401, 406, 420, 426, 427, 428, 429, D14/432, 439, 440, 441, 453, 454, 455, 456, D14/457, 496, 130, 137, 142, 150, 151, 203.1; D14/203.3, 203.4, 203.5, 203.6, 203.7, 238.1, D14/247, 248, 250, 902, 218, 125, 126; D13/168, D13/171; D18/7; D21/324, 329, 330, 331, D21/333; D10/65; 455/556.1, 556.2, 566, 455/575.1, 575.3, 575.4, 90.3; 341/22; 379/433.04, 379/433.06, 433.07, 433.11, 433.12, 433.13, 379/910, 915, 916; 348/14.02, 207.1, 552; 345/169, 168, 901

See application file for complete search history.

(56) **References Cited**

U.S. PATENT DOCUMENTS

D464,963 S * 10/2002 Nishida D14/346

(57) **CLAIM**

The ornamental design for a function keys for a portable electronic device, as shown and described.

DESCRIPTION

FIG. 1 is a perspective view of the first configuration of a function keys for a portable electronic device in accordance with the present design;

FIG. 2 is a front elevational view thereof;

FIG. 3 is a rear elevational view thereof;

FIG. 4 is a left side elevational view thereof;

FIG. 5 is a right side elevational view thereof;

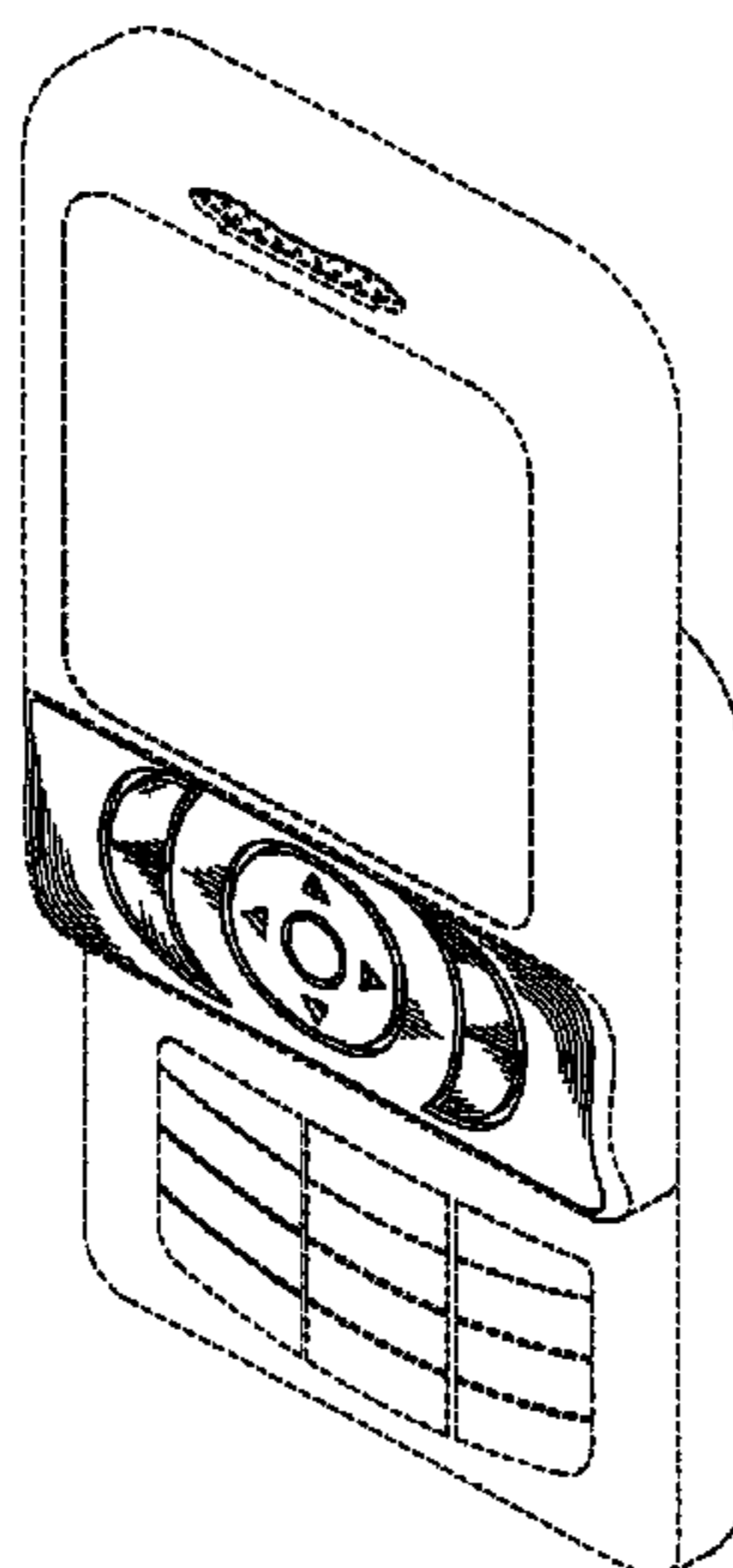
FIG. 6 is a top plan view thereof;

FIG. 7 is a bottom plan view thereof; and,

FIG. 8 is a perspective view of a second configuration of the function keys for a portable electronic device.

The portions of the portable electronic device shown in broken line are included for the purpose of illustrating environmental structure and form no part of the claimed design.

1 Claim, 8 Drawing Sheets



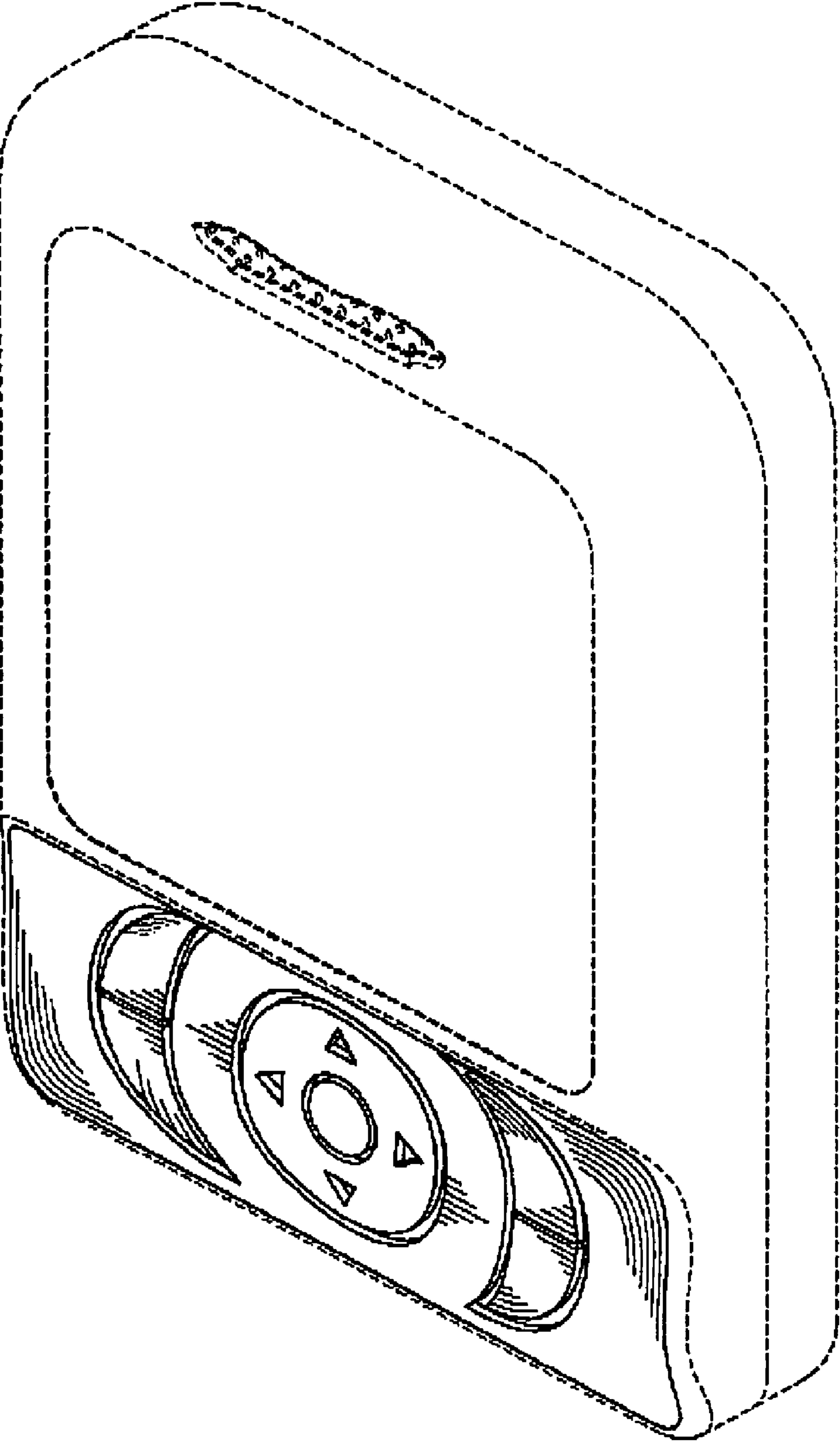


FIG. 1

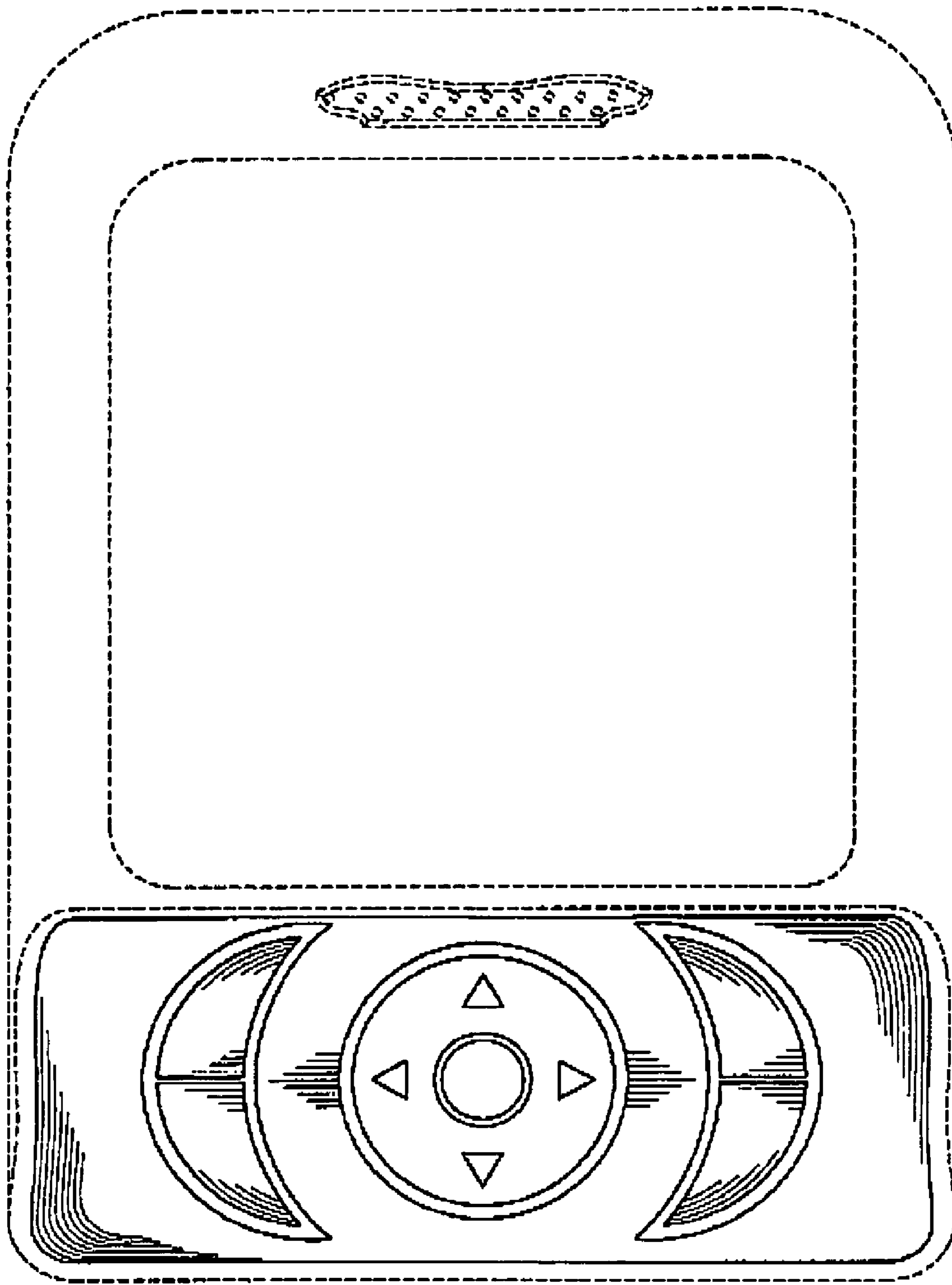


FIG. 2

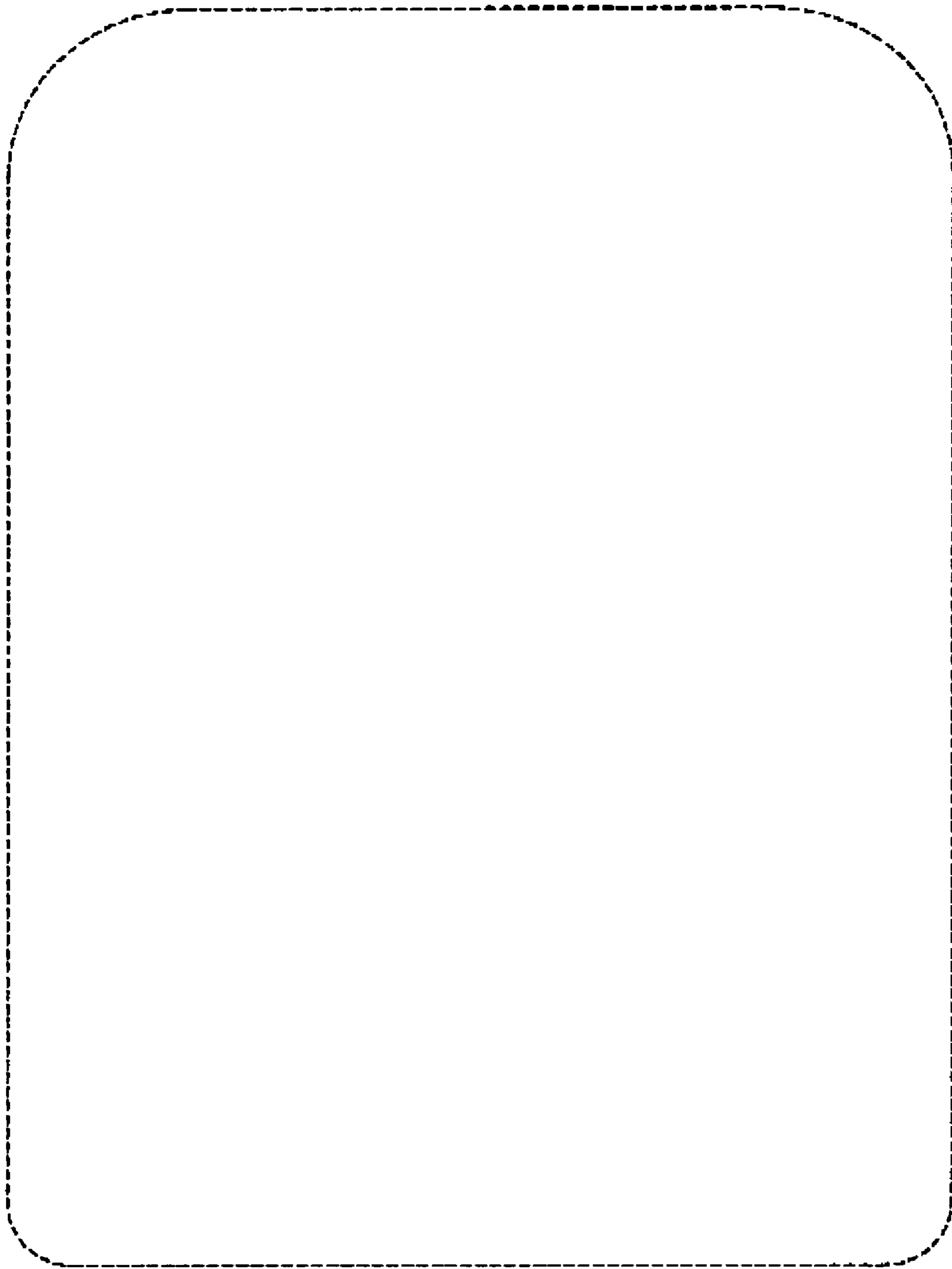


FIG. 3

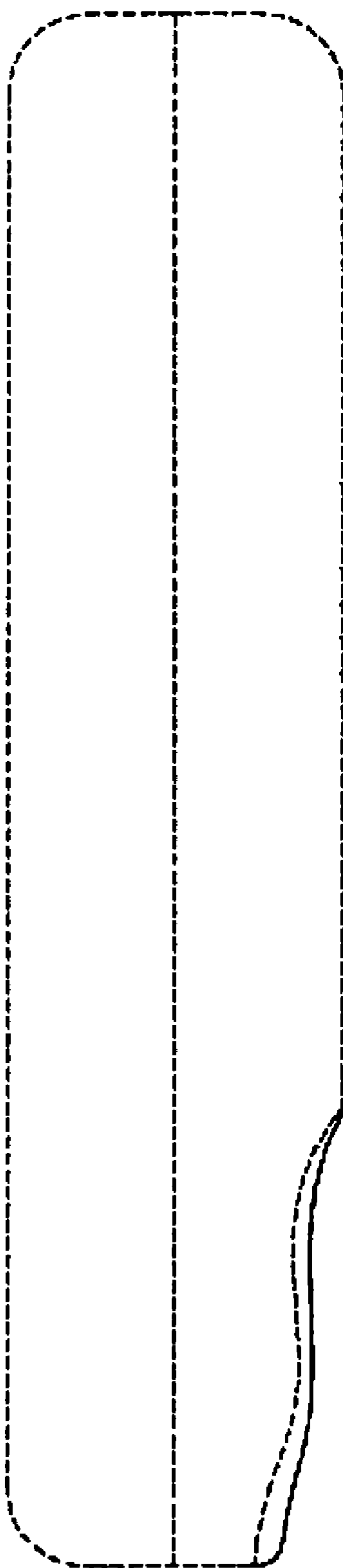


FIG. 4

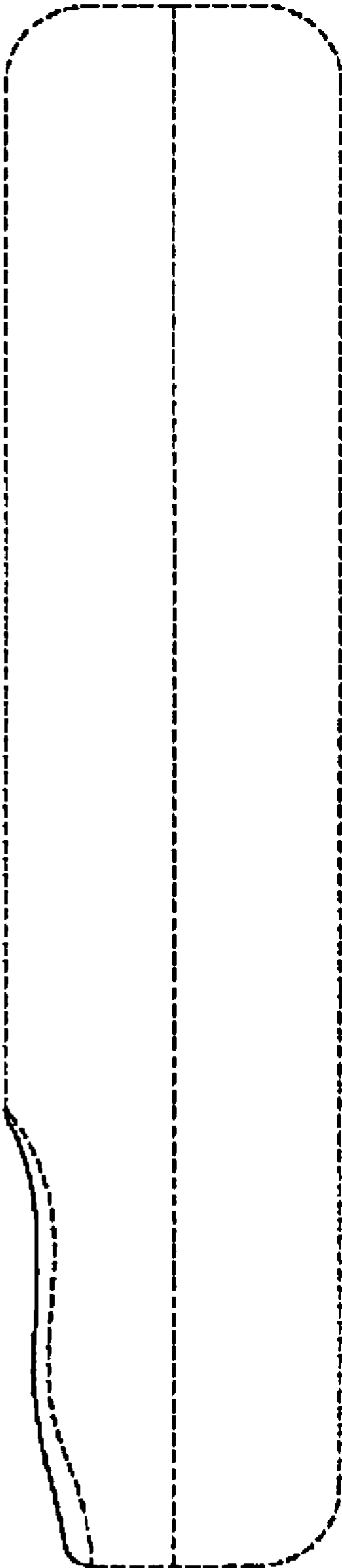


FIG. 5

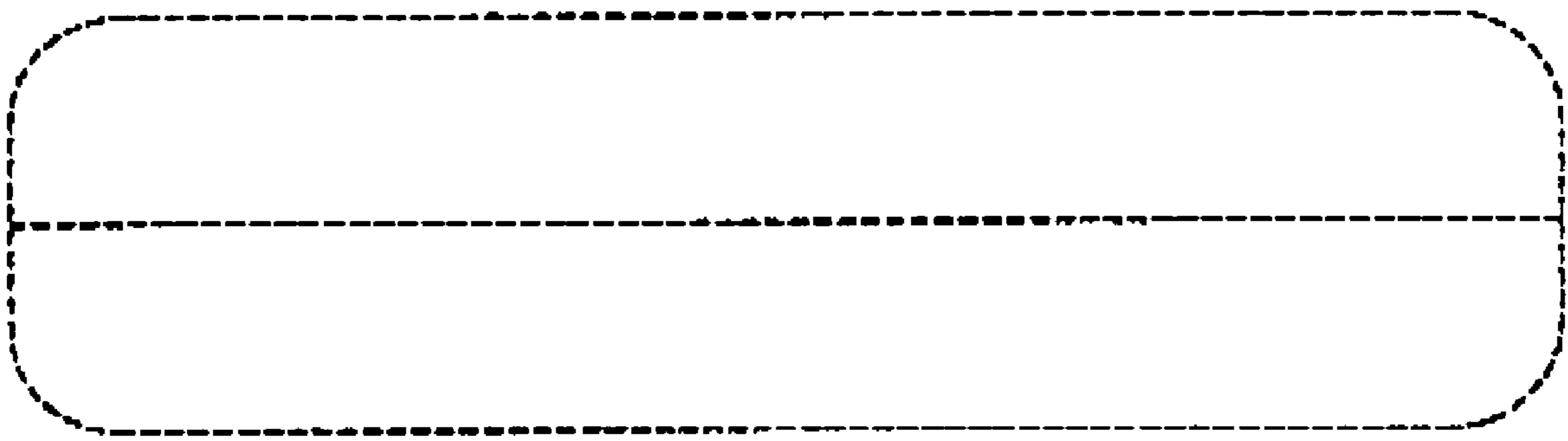


FIG. 6

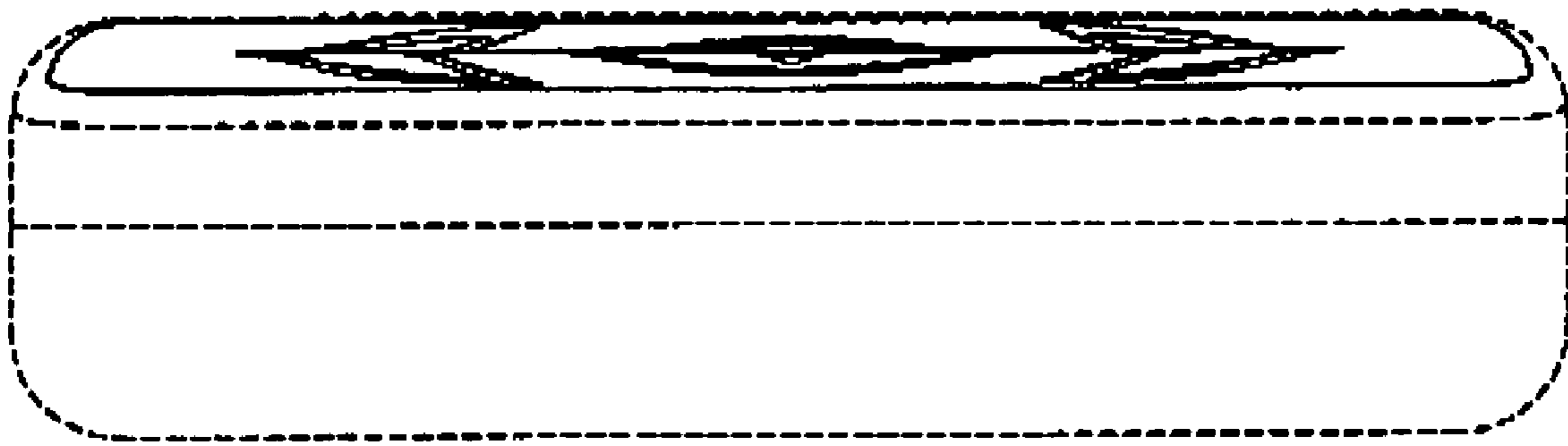


FIG. 7

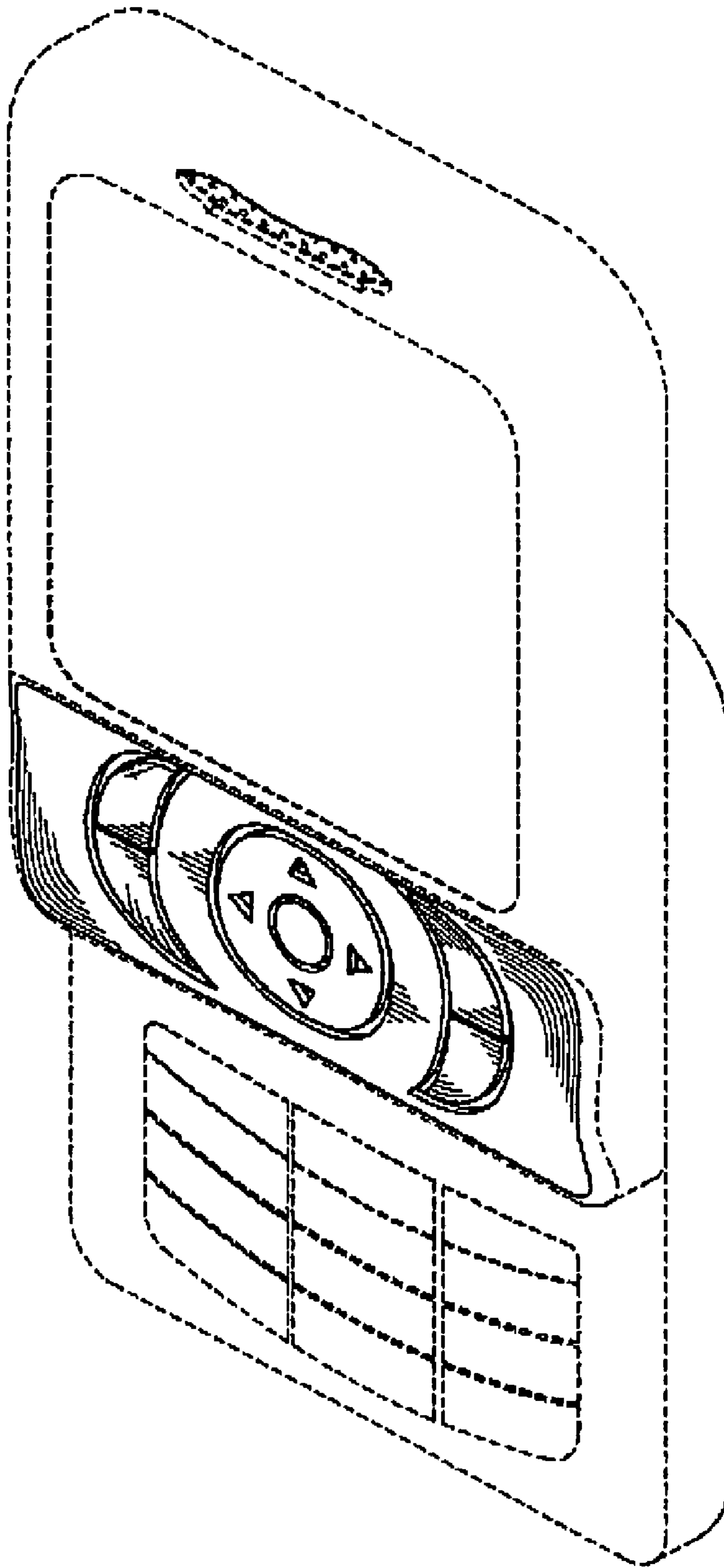


FIG. 8