



US00D599803S

(12) **United States Design Patent**  
**Han**

(10) **Patent No.:** **US D599,803 S**  
(45) **Date of Patent:** **\*\* Sep. 8, 2009**

(54) **COMPUTER MONITOR BASE**

(75) Inventor: **Tai-Sheng (Andrew) Han**, Fullerton,  
CA (US)

(73) Assignee: **EVGA Corporation**, Brea, CA (US)

(\*\*) Term: **14 Years**

(21) Appl. No.: **29/299,558**

(22) Filed: **Dec. 28, 2007**

(51) **LOC (9) Cl.** ..... **08-07**

(52) **U.S. Cl.** ..... **D14/451**

(58) **Field of Classification Search** ..... D14/447,  
D14/451, 452, 328, 336, 356, 371, 374, 375,  
D14/376, 432, 434, 439, 448, 454, 457, 239,  
D14/251, 252, 341, 224, 253, 316, 129, 209,  
D14/217, 237, 238, 458, 459, 460, 461; D10/65;  
D6/444, 513, 396, 419, 420, 473, 474, 512;  
D8/349, 355, 363, 373, 380, 354; D19/92,  
D19/95; D23/370, 387; 248/176.1, 220.21,  
248/223.31, 274.1, 276.1, 281.11, 284.1,  
248/286.1, 309.1, 316.1, 323, 324, 346.3,  
248/349.1, 371, 398, 917, 918, 919, 920,  
248/921, 922, 923, 205.5, 121, 124.1, 127,  
248/177.1, 201, 205.1, 291.1, 313, 346.01,  
248/346.03, 415; D12/415; 312/223.3; 348/825,  
348/836; 379/446, 454; 361/681, 683, 687,  
361/695

See application file for complete search history.

(56) **References Cited**

**U.S. PATENT DOCUMENTS**

D295,415 S *	4/1988	Thies et al.	.....	D14/452
D378,051 S *	2/1997	Shinano	.....	D8/373
D423,822 S *	5/2000	Takemasa	.....	D6/466
D427,163 S *	6/2000	Bergeron Gull et al.	....	D14/452
D472,556 S *	4/2003	Scharer et al.	.....	D14/452

(Continued)

*Primary Examiner*—Jennifer Rivard  
*Assistant Examiner*—Angela J Lee

(74) *Attorney, Agent, or Firm*—Claude A. S. Hamrick;  
IPxLAW Group LLP

(57) **CLAIM**

The ornamental design for a computer monitor base, as shown and described.

**DESCRIPTION**

FIG. 1 is a perspective view of a computer monitor base with a pivoted balance leg retracted into a recess formed in the bottom of the base and showing my new design;

FIG. 2 is a perspective view thereof with the pivoted balance leg rotated out of the base recess;

FIG. 3 is a top view of the computer monitor base with the pivoted balance leg retracted into the base recess as in FIG. 1;

FIG. 4 is a bottom view thereof showing the pivoted balance leg retracted into the base recess;

FIG. 5 is a bottom view showing the pivoted balance leg rotated out of the base recess;

FIG. 6 is a front view of the computer monitor base with the balance leg retracted into the base recess;

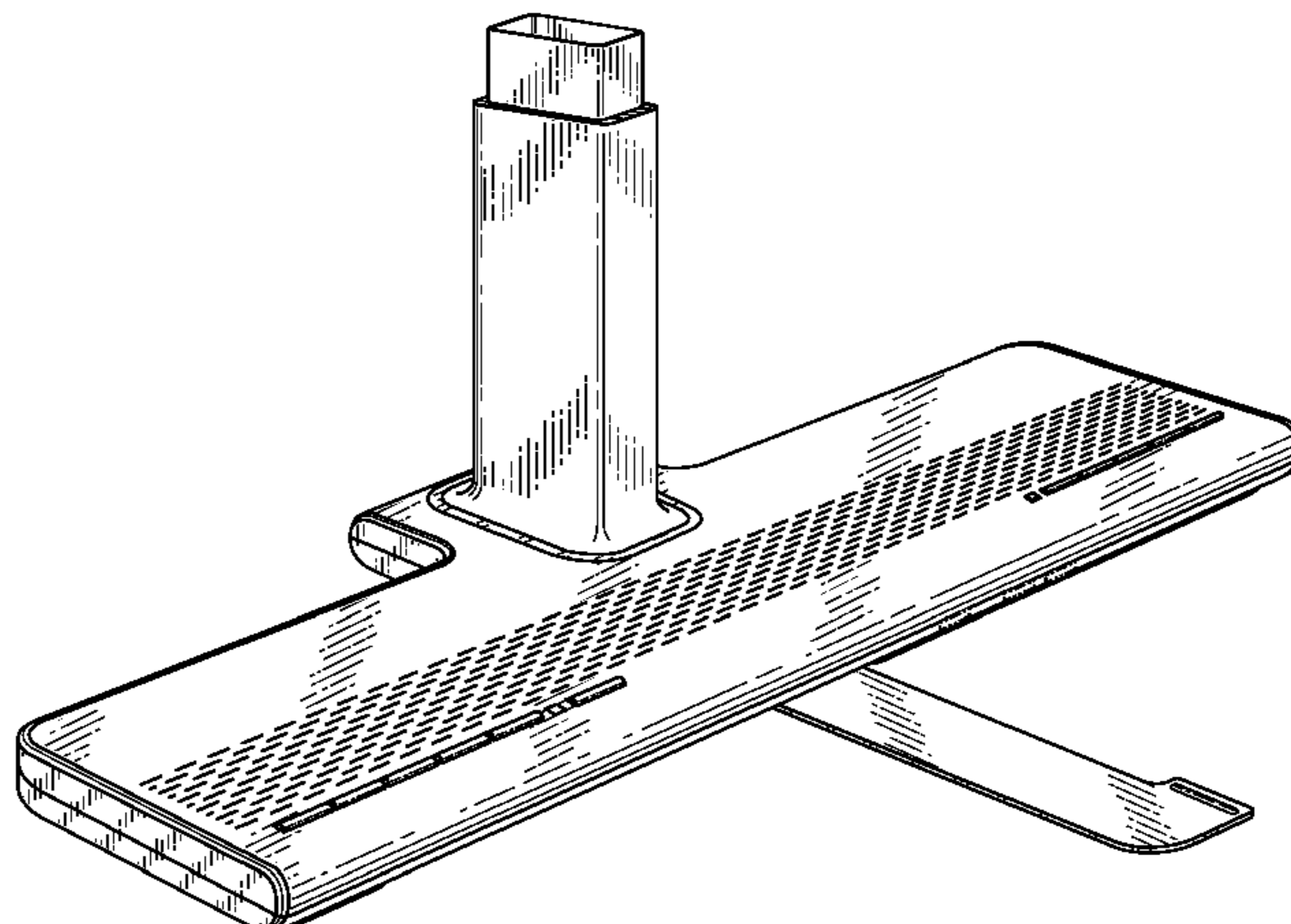
FIG. 7 is a back view of the computer monitor base;

FIG. 8 is a left side view of the computer monitor base with the balance leg retracted into the base recess; and,

FIG. 9 is a right side view of the computer monitor base with the balance leg retracted into the base recess.

The eleven rows of dashed lines extending across a medial portion of the upper surface of the computer monitor base, as shown in FIGS. 1–3, depict an array of narrow air vents provided therein and are part of the claimed design. Similarly, the two strings of narrow rectangles disposed forward of the air vents depict stylized actuator buttons and lights and are part of the claimed design. The top of the vertical riser is open, as depicted in FIGS. 1–3, and the opening extends interiorly to the bottom of the base. The portions of the computer monitor base shown in broken lines in FIGS. 1, 2, 6 and 7 form no part of the claimed design.

**1 Claim, 6 Drawing Sheets**



# US D599,803 S

Page 2

---

## U.S. PATENT DOCUMENTS

D478,088 S *	8/2003	Hamouz .....	D14/451	D549,232 S *	8/2007	Li et al. ....	D14/447
D480,730 S *	10/2003	Doherty et al. ....	D14/447	D551,663 S *	9/2007	Kita .....	D14/239
D491,952 S *	6/2004	Oddsens et al. ....	D14/447	D557,265 S *	12/2007	Brown .....	D14/447
6,994,303 B2 *	2/2006	Lin et al. ....	248/122.1	2004/0084579 A1 *	5/2004	Lee et al. ....	248/125.1

\* cited by examiner

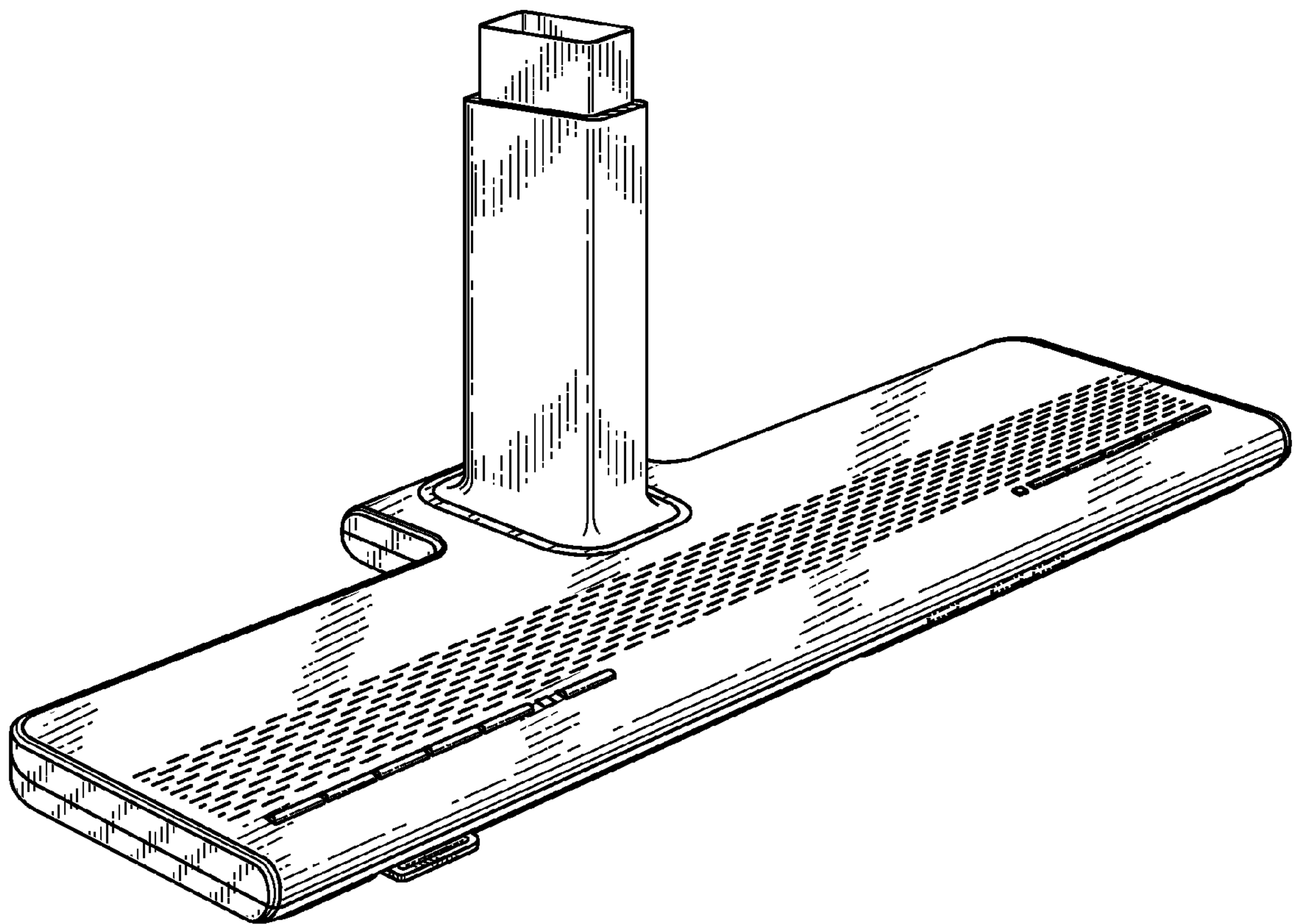


FIG. 1

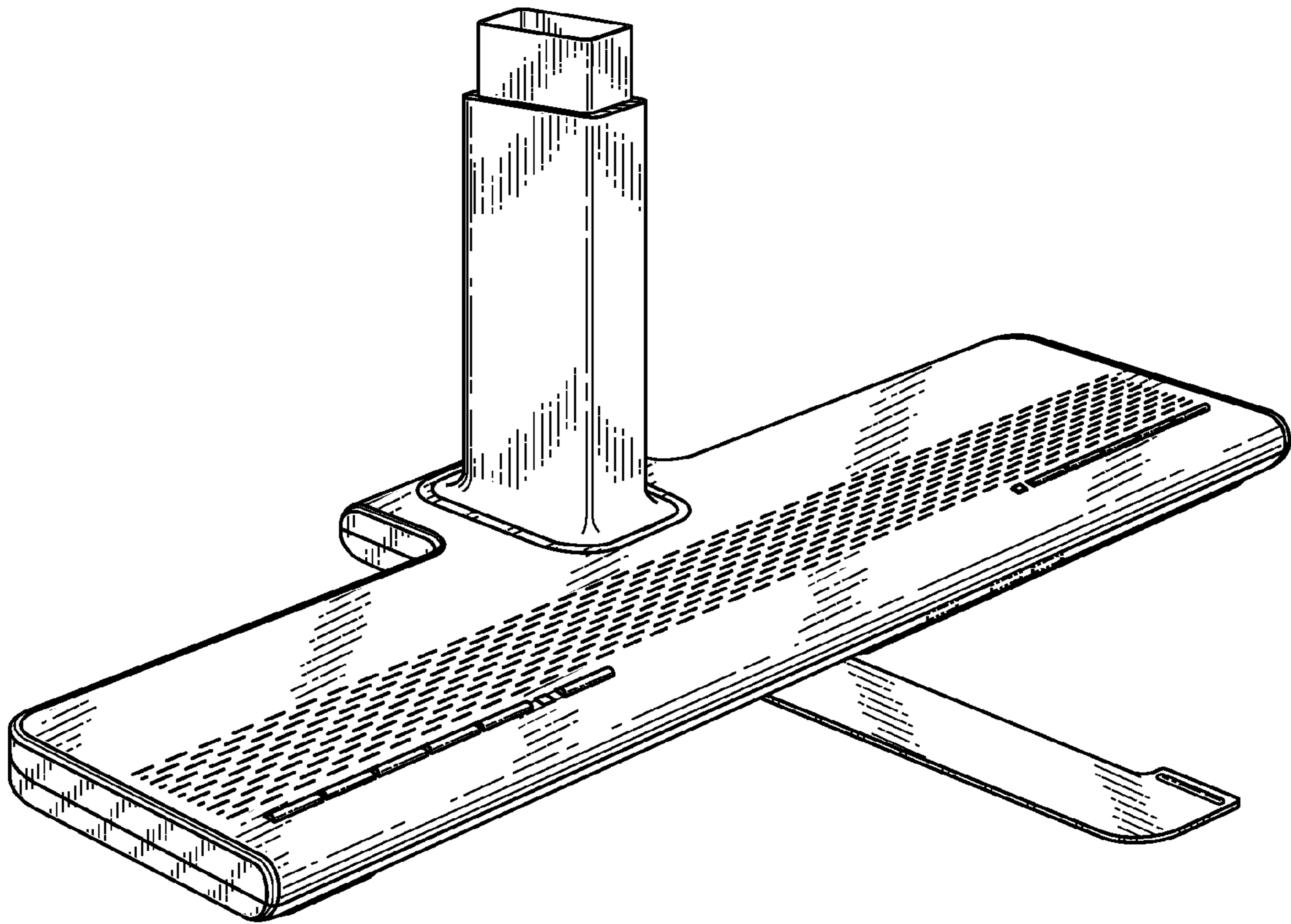


FIG. 2

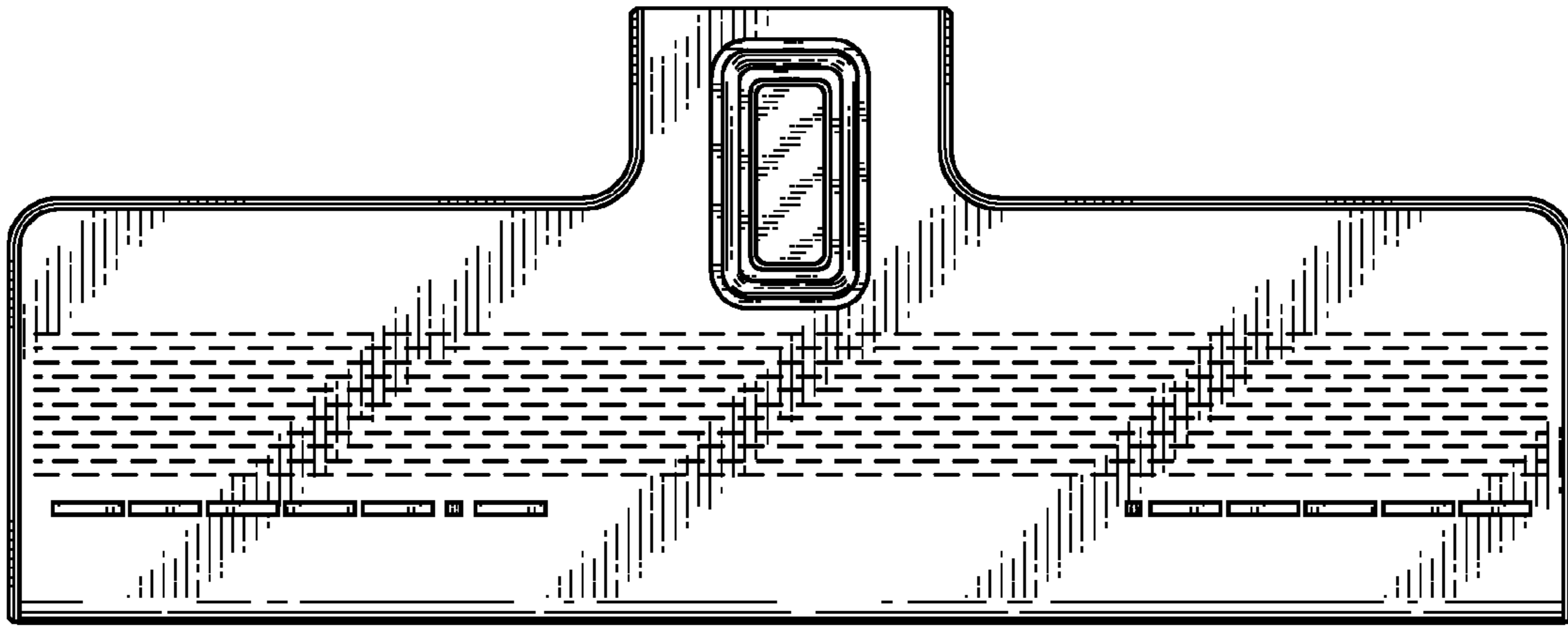


FIG. 3

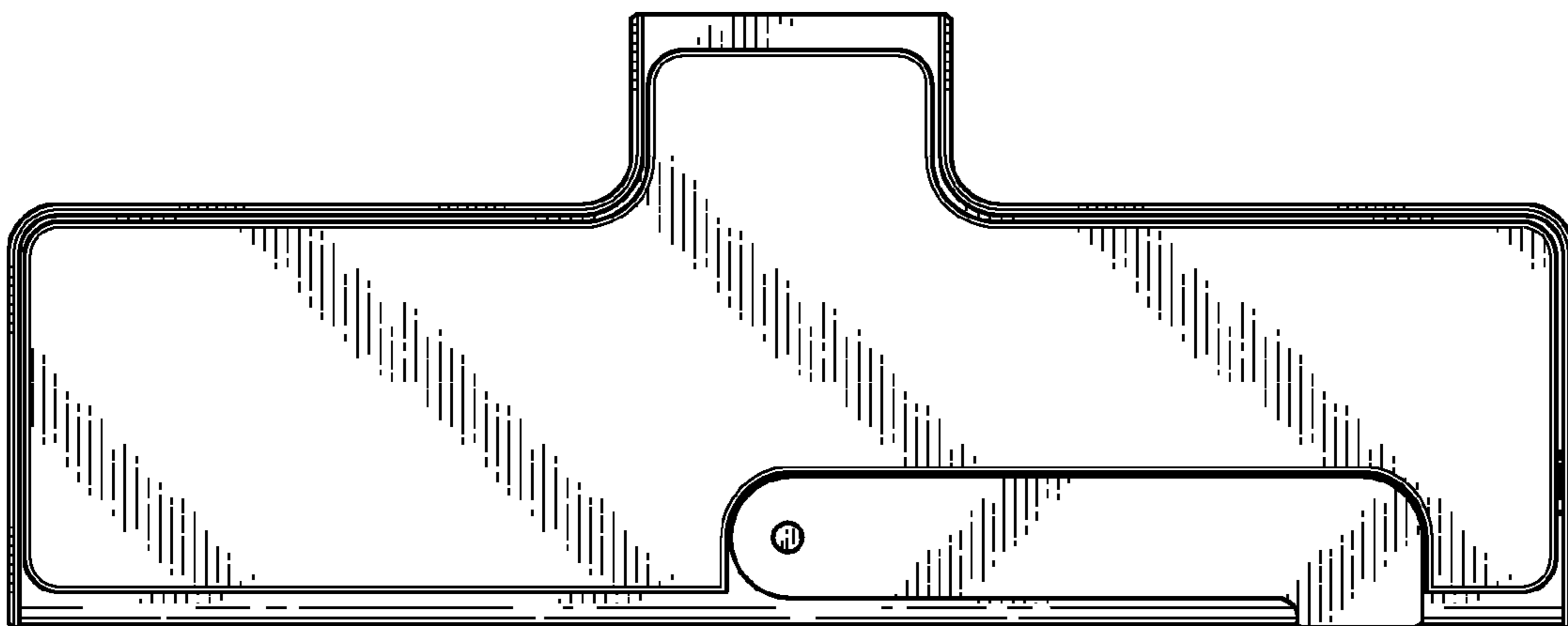


FIG. 4



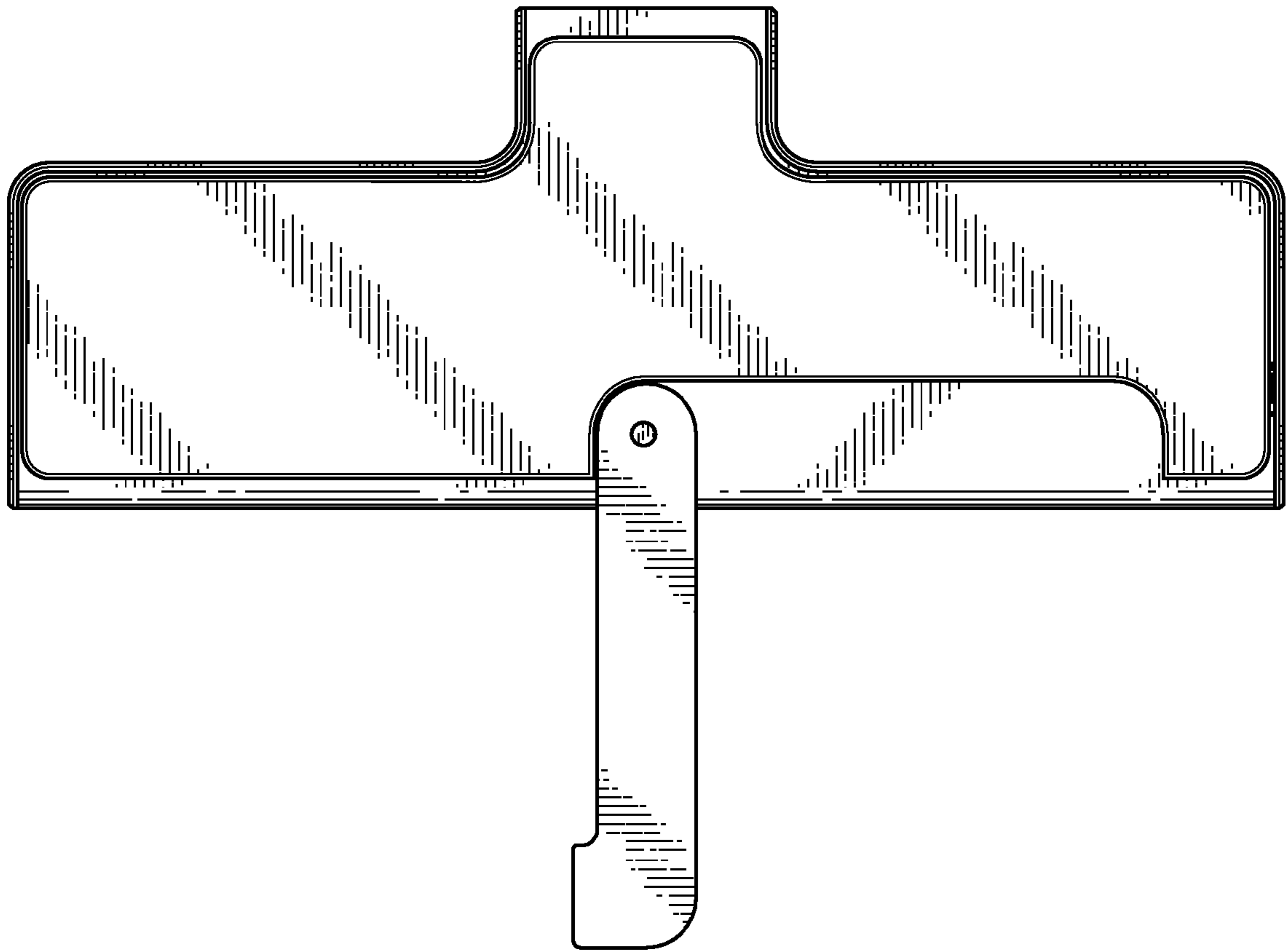


FIG. 5

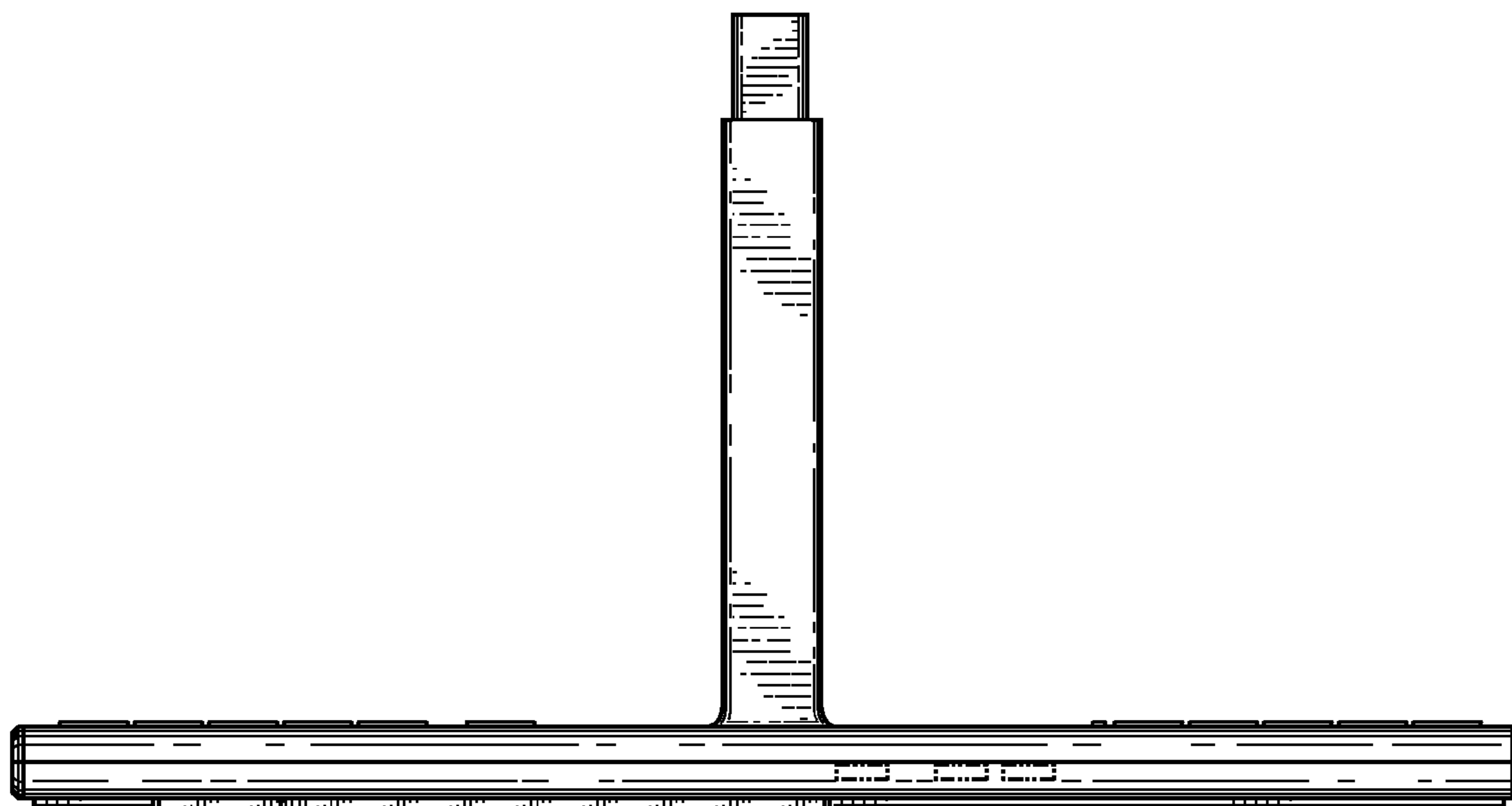


FIG. 6

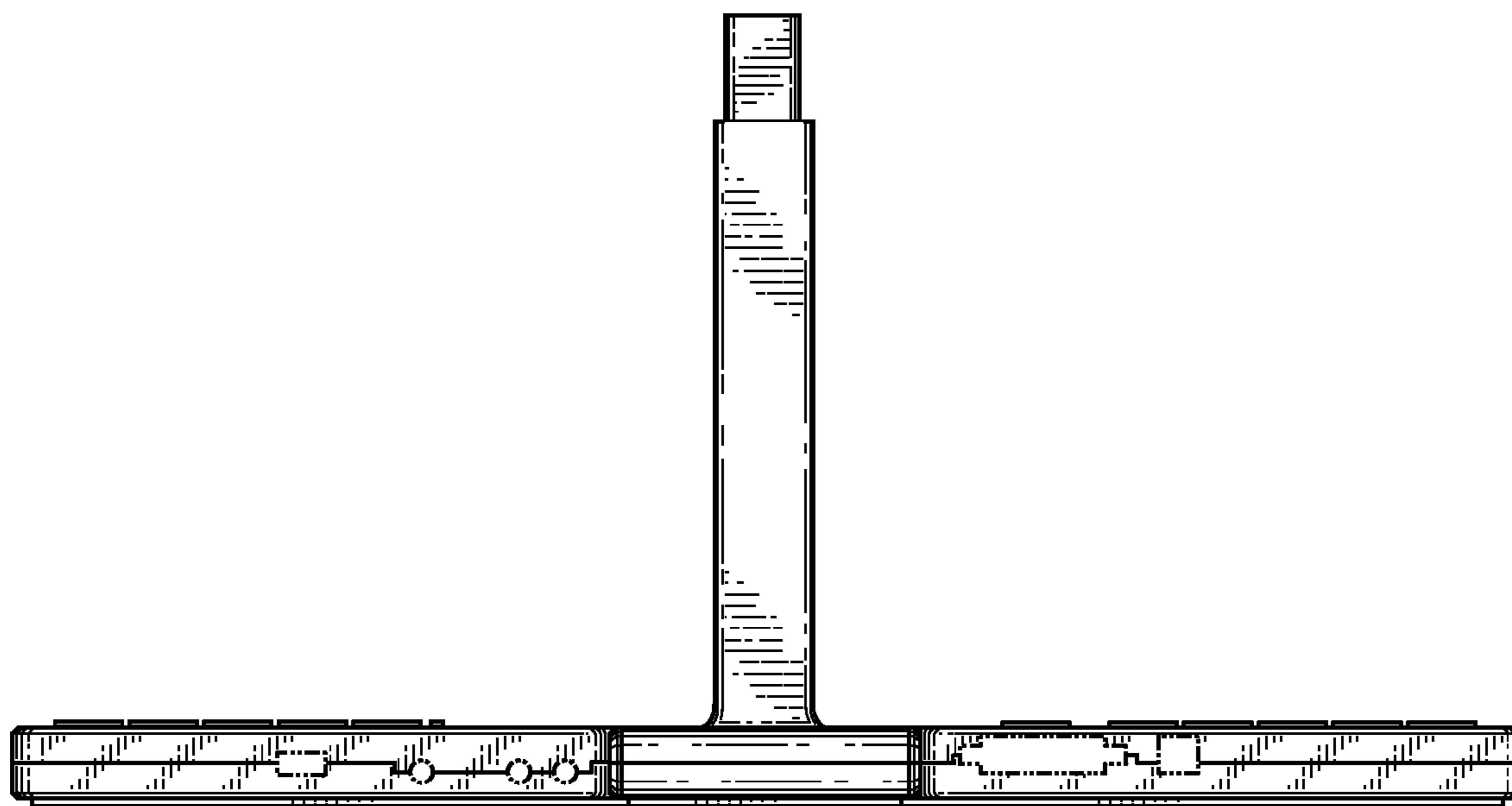


FIG. 7

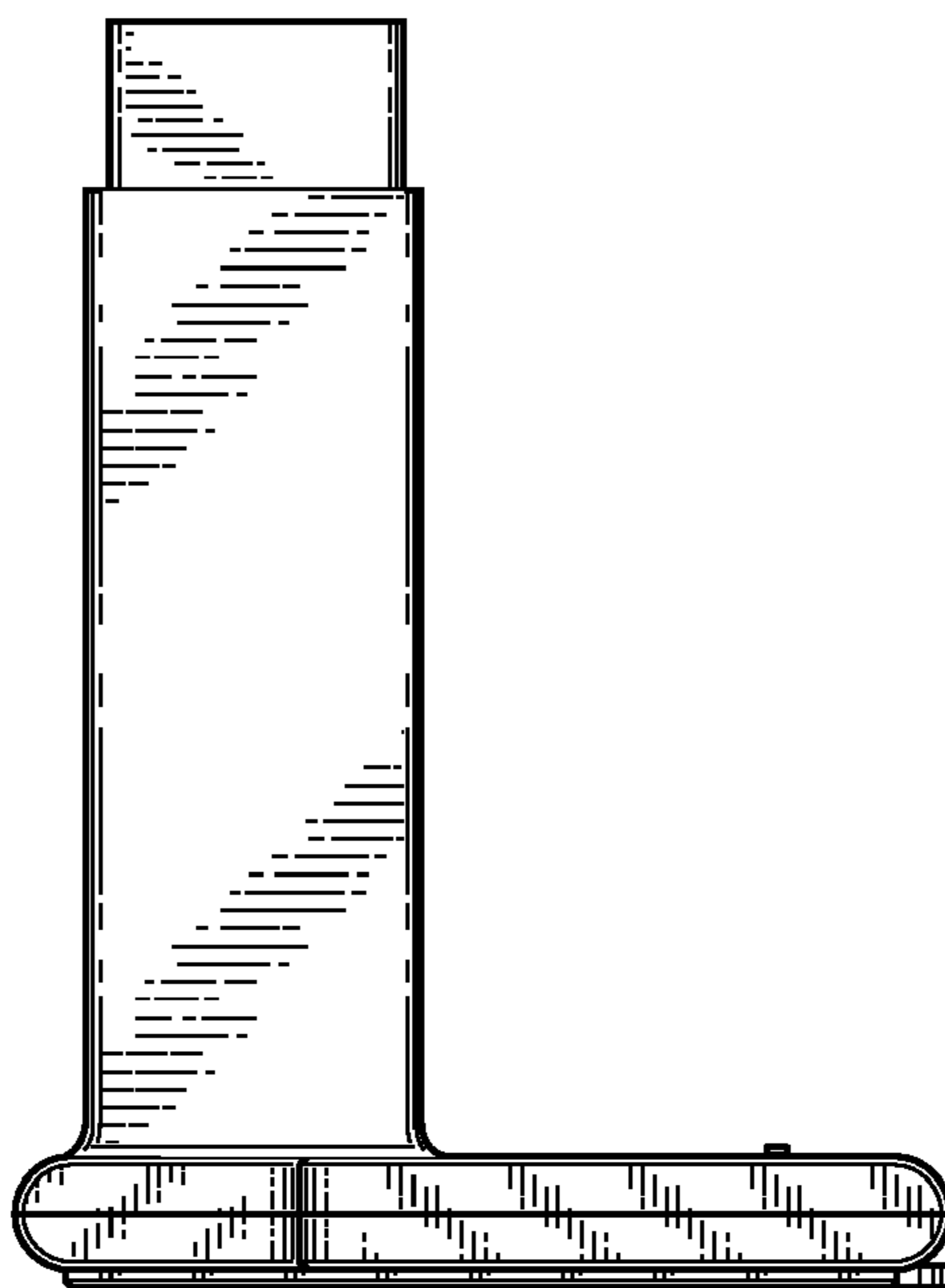


FIG. 8

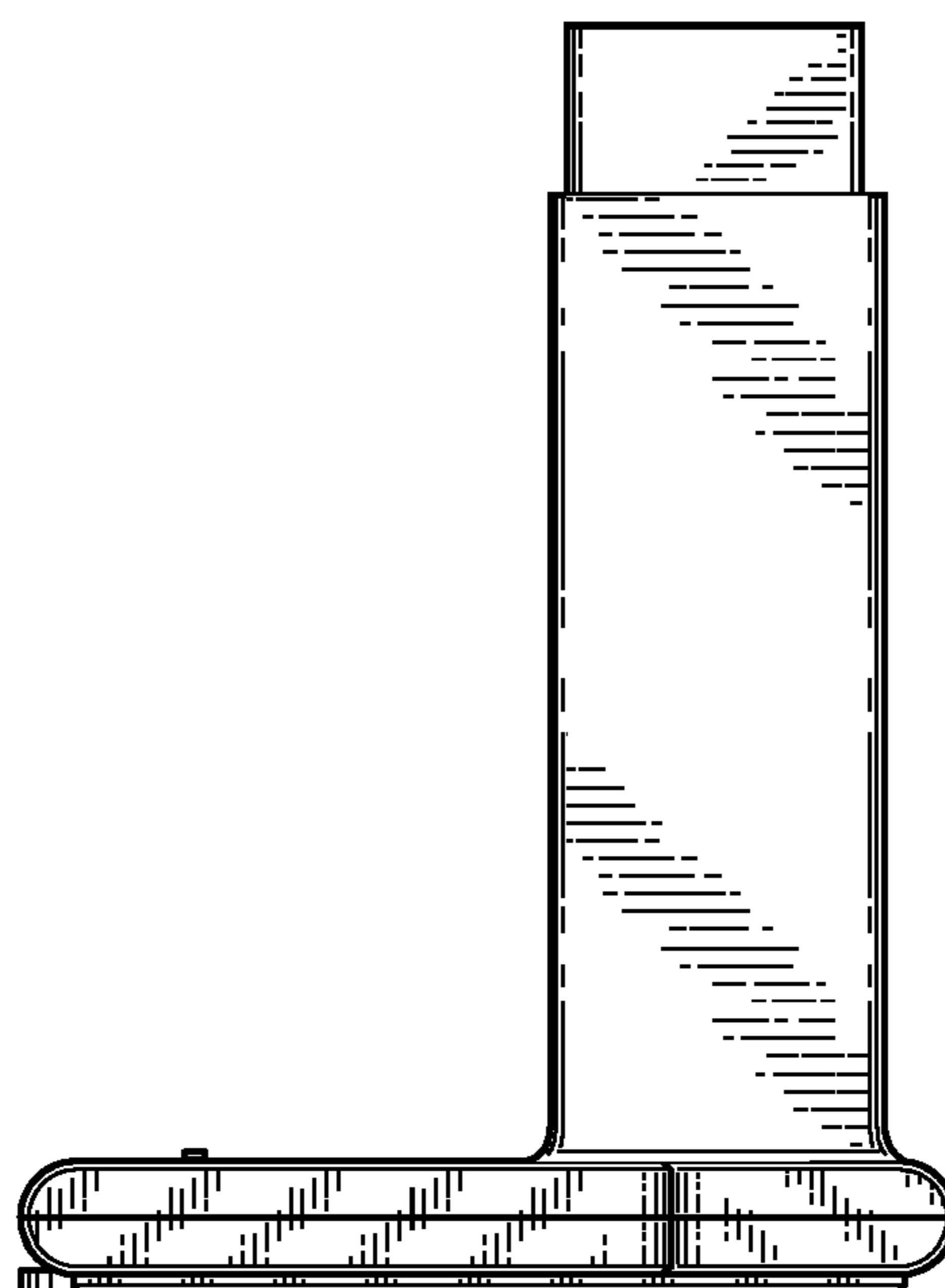


FIG. 9