

US00D599801S

(12) **United States Design Patent**  
**Skaf et al.**

(10) **Patent No.:** **US D599,801 S**

(45) **Date of Patent:** **\*\* Sep. 8, 2009**

(54) **TOUCH PANEL DOCKING STATION**

(75) Inventors: **Rashid Skaf**, Plano, TX (US); **Lorelei Curtiss Cannon**, Plano, TX (US); **Arthur Chao Chung Wu**, Plano, TX (US); **I-Te Liu**, Taipei (TW); **Lee T. VanLanen**, McKinney, TX (US)

(73) Assignee: **AMX LLC**, Richardson, TX (US)

(\*\*) Term: **14 Years**

(21) Appl. No.: **29/284,318**

(22) Filed: **Sep. 5, 2007**

(51) **LOC (9) Cl.** ..... **14-02**

(52) **U.S. Cl.** ..... **D14/434**

(58) **Field of Classification Search** ..... D14/434,  
D14/447, 432, 433, 385, 357, 149, 457, 253,  
D14/251, 356; D13/199, 107, 108, 118;  
361/600, 679, 683, 686; 200/6 R; 206/701;  
320/113-115, 107; 379/426; 455/557, 556.1,  
455/556.2; 345/156, 901, 905; 439/374,  
439/131, 529, 534, 929, 346, 31, 640; 235/472.01;  
248/309.1, 221.11; 429/100; D21/333, 392;  
D19/65; 24/303; D8/395

See application file for complete search history.

(56) **References Cited**

**U.S. PATENT DOCUMENTS**

D323,504 S *	1/1992	Langton	.....	D14/142
5,619,397 A *	4/1997	Honda et al.	.....	361/686
5,899,421 A *	5/1999	Silverman	.....	248/175
6,256,193 B1 *	7/2001	Janik et al.	.....	361/683
D457,162 S *	5/2002	Hawkins et al.	.....	D14/434
D472,900 S *	4/2003	Matsumoto	.....	D14/447
D477,604 S *	7/2003	Lin	.....	D14/434

D483,016 S *	12/2003	Ma et al.	.....	D13/108
D489,325 S *	5/2004	Nakamura	.....	D13/110
D507,526 S *	7/2005	Ohta	.....	D13/108
2006/0061961 A1 *	3/2006	Yin et al.	.....	361/686

\* cited by examiner

*Primary Examiner*—Susan Moon Lee

(74) *Attorney, Agent, or Firm*—Gardere Wynne Sewell LLP; Karl L. Larson

(57) **CLAIM**

The ornamental design for a touch panel docking station, as shown and described.

**DESCRIPTION**

FIG. 1 is a front view of one preferred embodiment of a touch panel docking station in accordance with the invention;

FIG. 2 is a front elevation of the touch panel docking station shown in FIG. 1;

FIG. 3 is a rear elevation of the touch panel docking station shown in FIG. 1;

FIG. 4 is a first side view of the touch panel docking station shown in FIG. 1;

FIG. 5 is second side view of the touch panel docking station shown in FIG. 1;

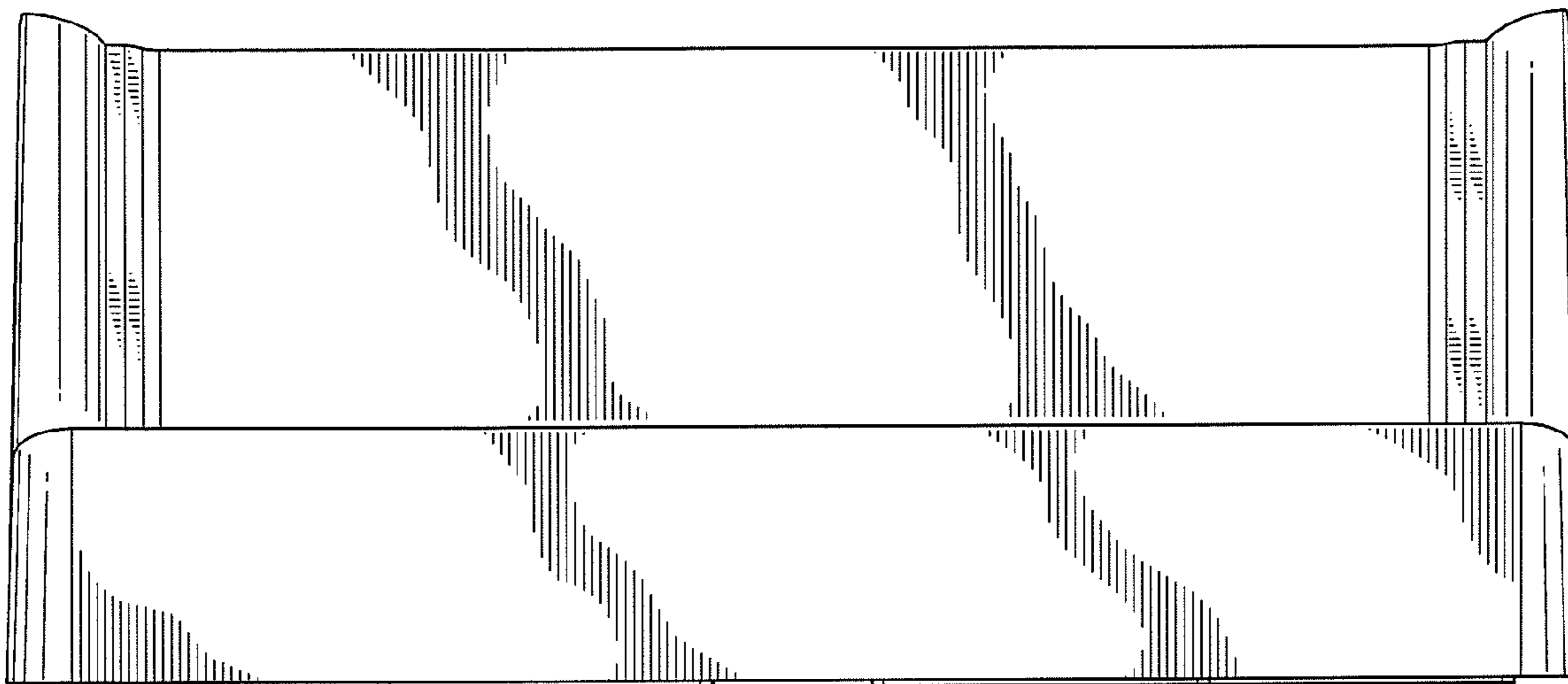
FIG. 6 is a bottom view of the touch panel docking station shown in FIG. 1;

FIG. 7 is a rear elevation of the touch panel docking station shown in FIG. 1 illustrating the placement of a power cord; and,

FIG. 8 is a bottom view of the touch panel docking station shown in FIG. 1 illustrating the placement of a power cord.

The portions shown in broken line are not claimed.

**1 Claim, 4 Drawing Sheets**



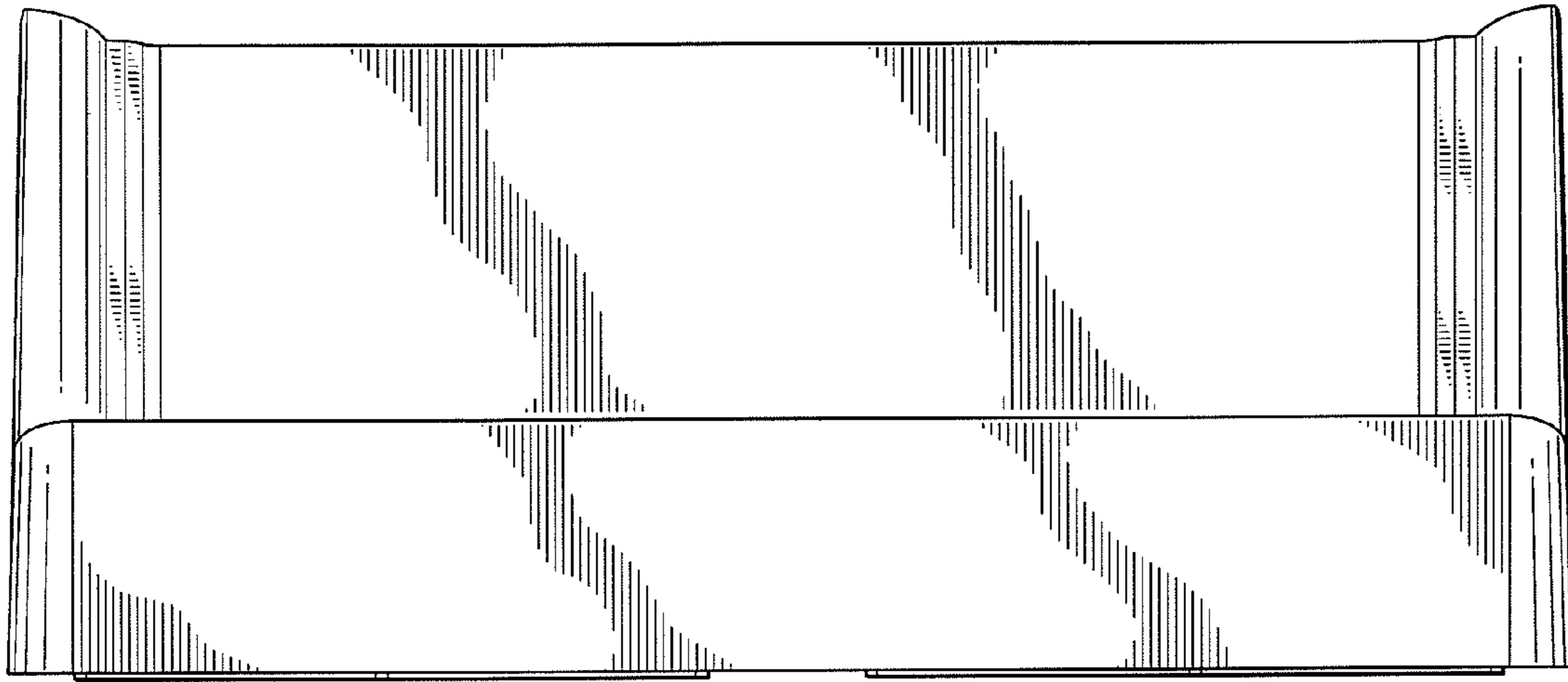


FIG. 1

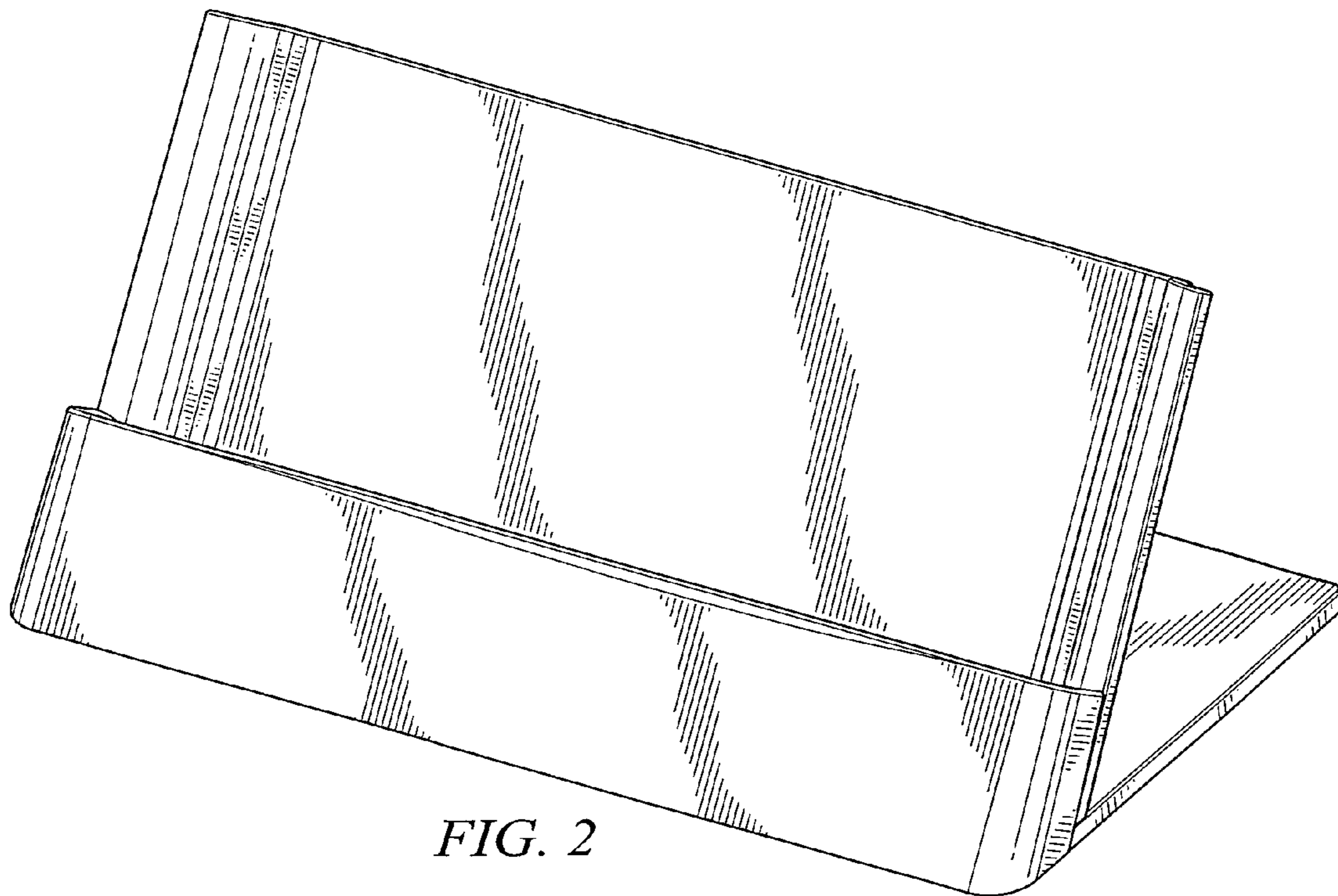
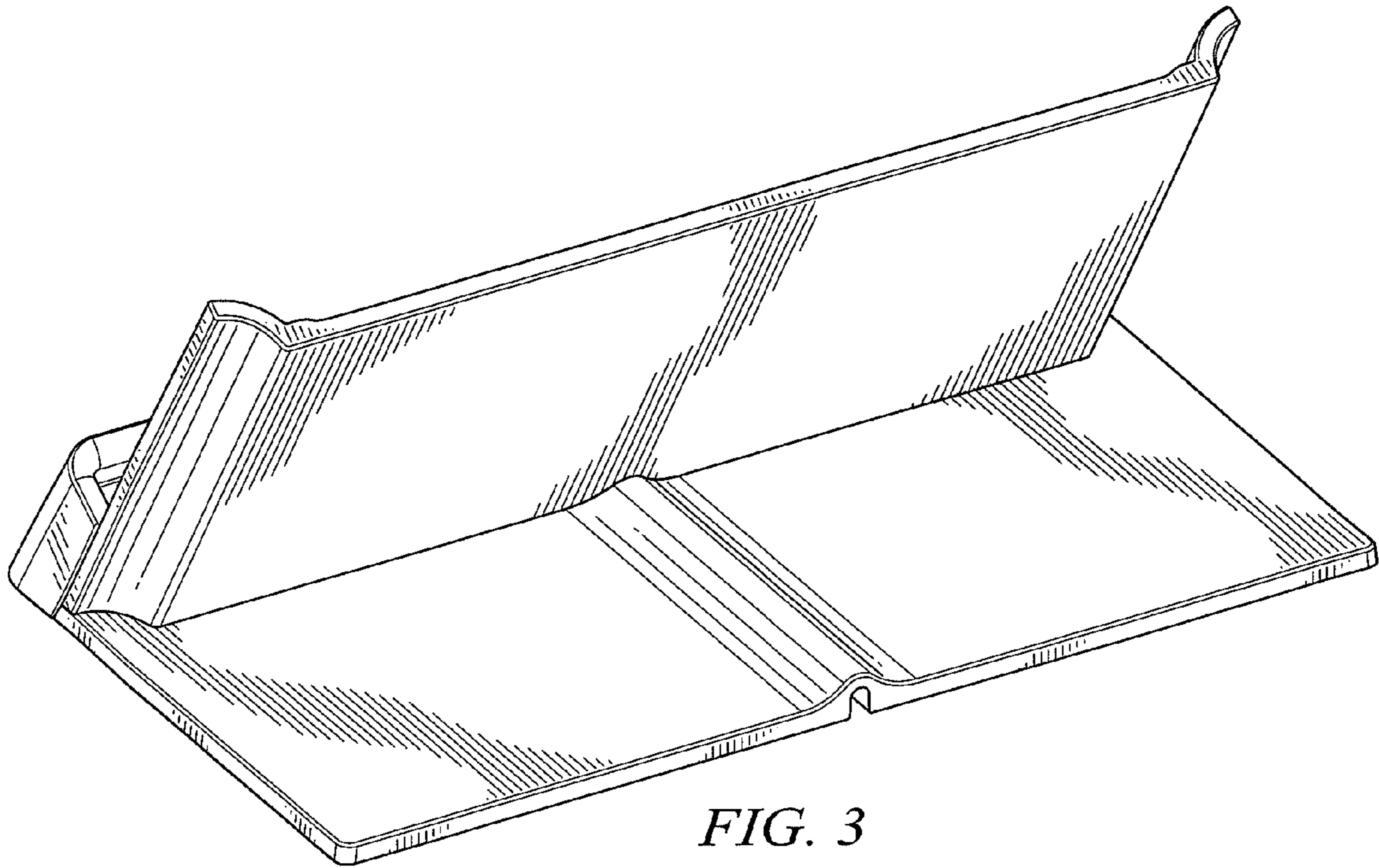
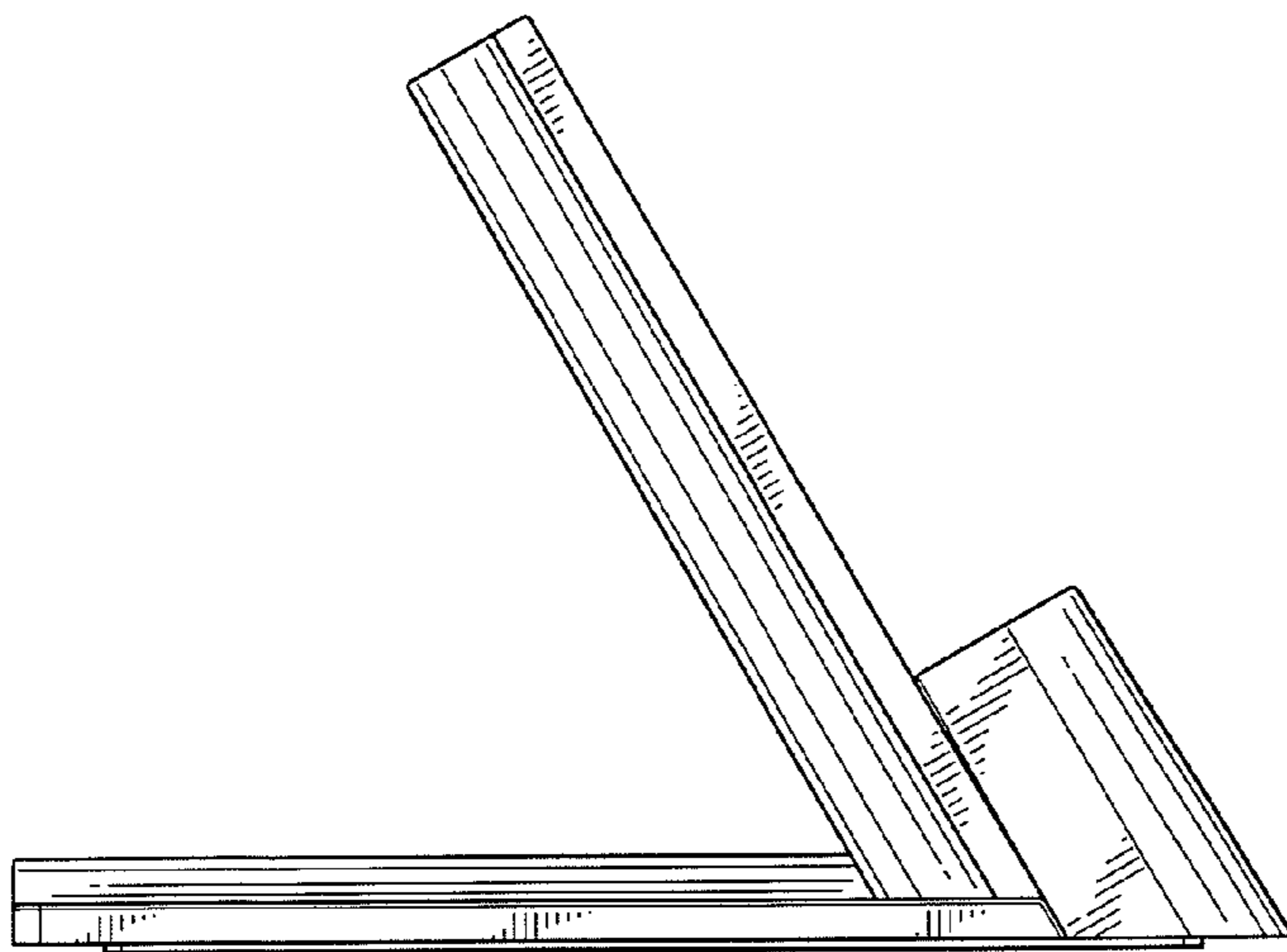


FIG. 2



*FIG. 3*



*FIG. 4*

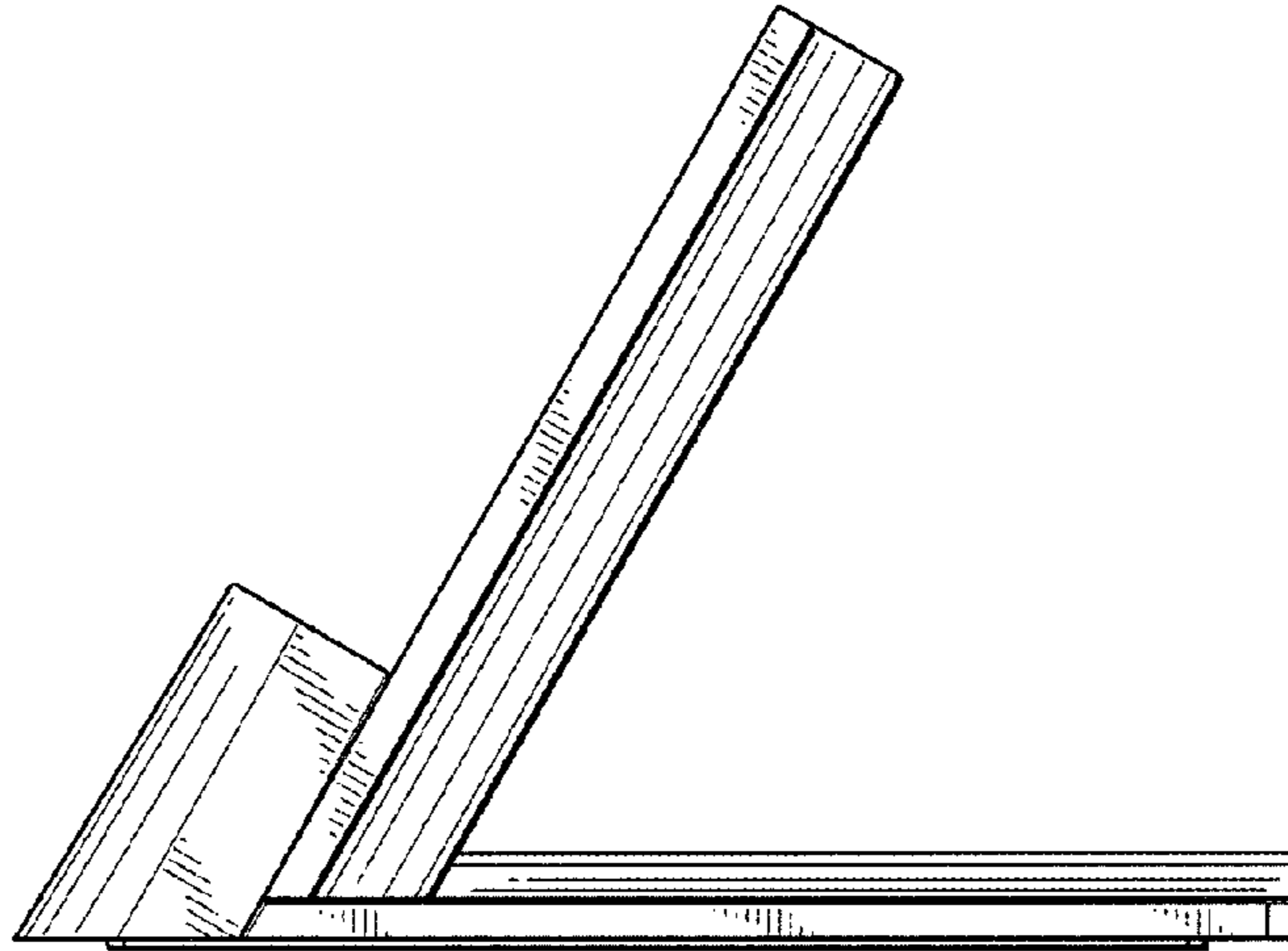


FIG. 5

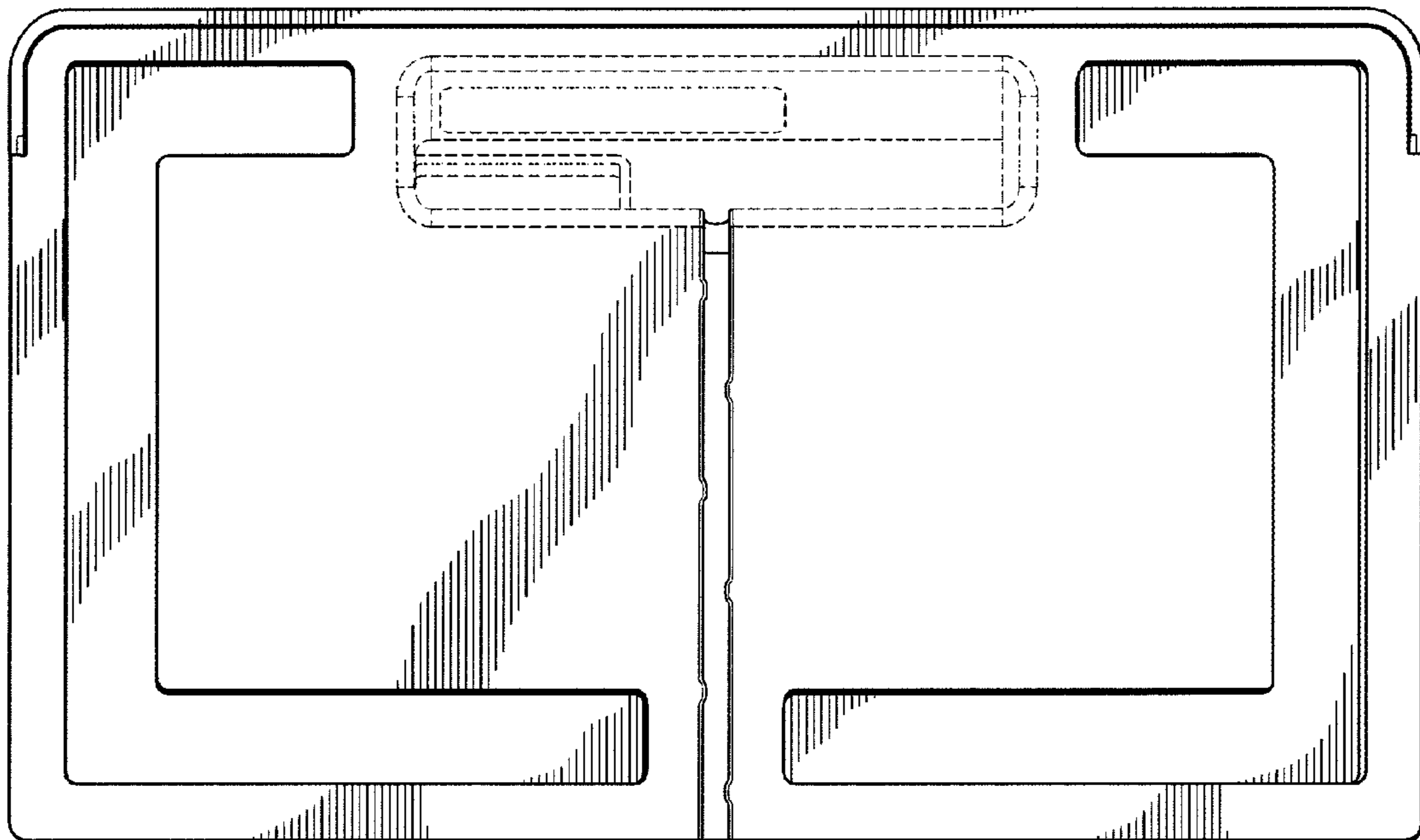


FIG. 6

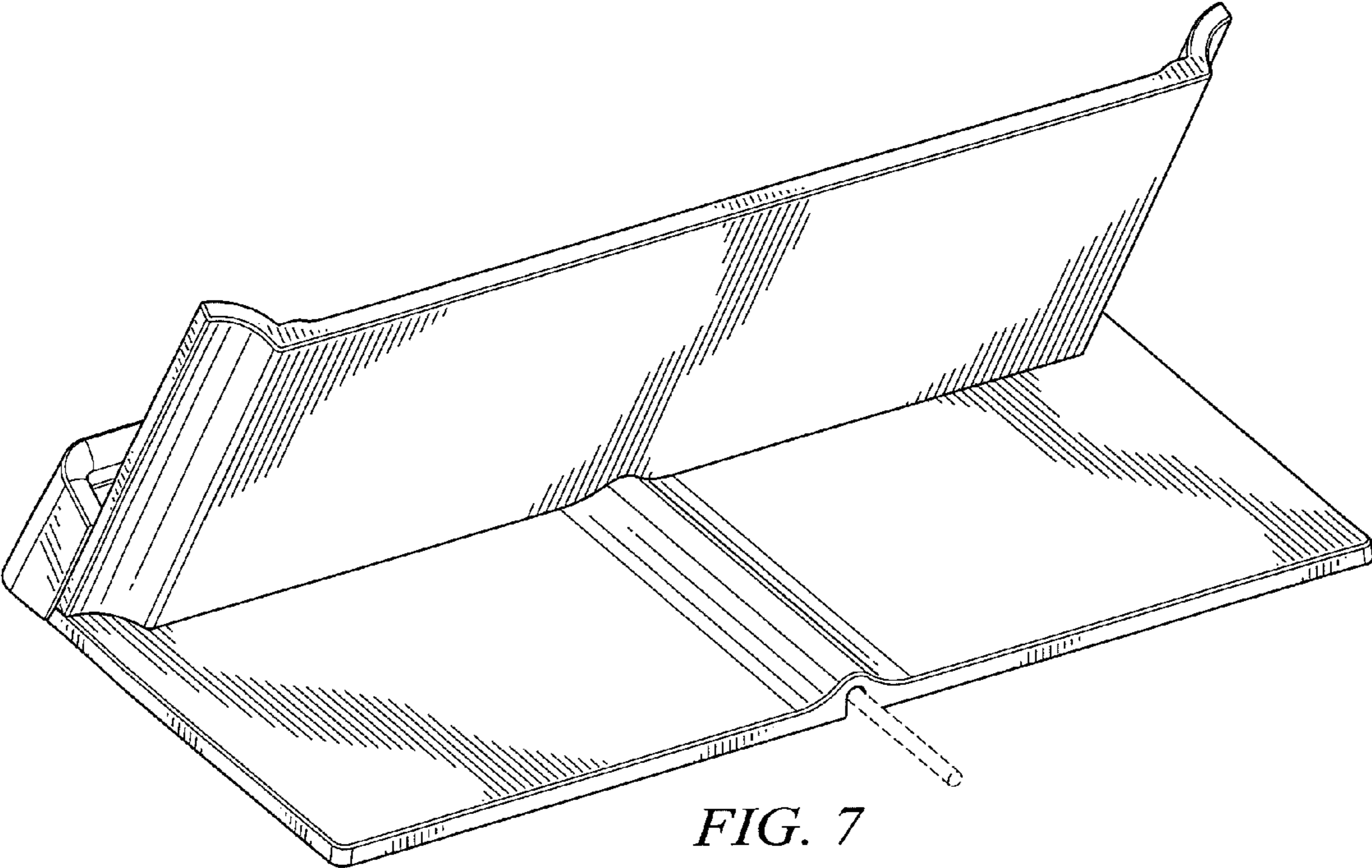


FIG. 7

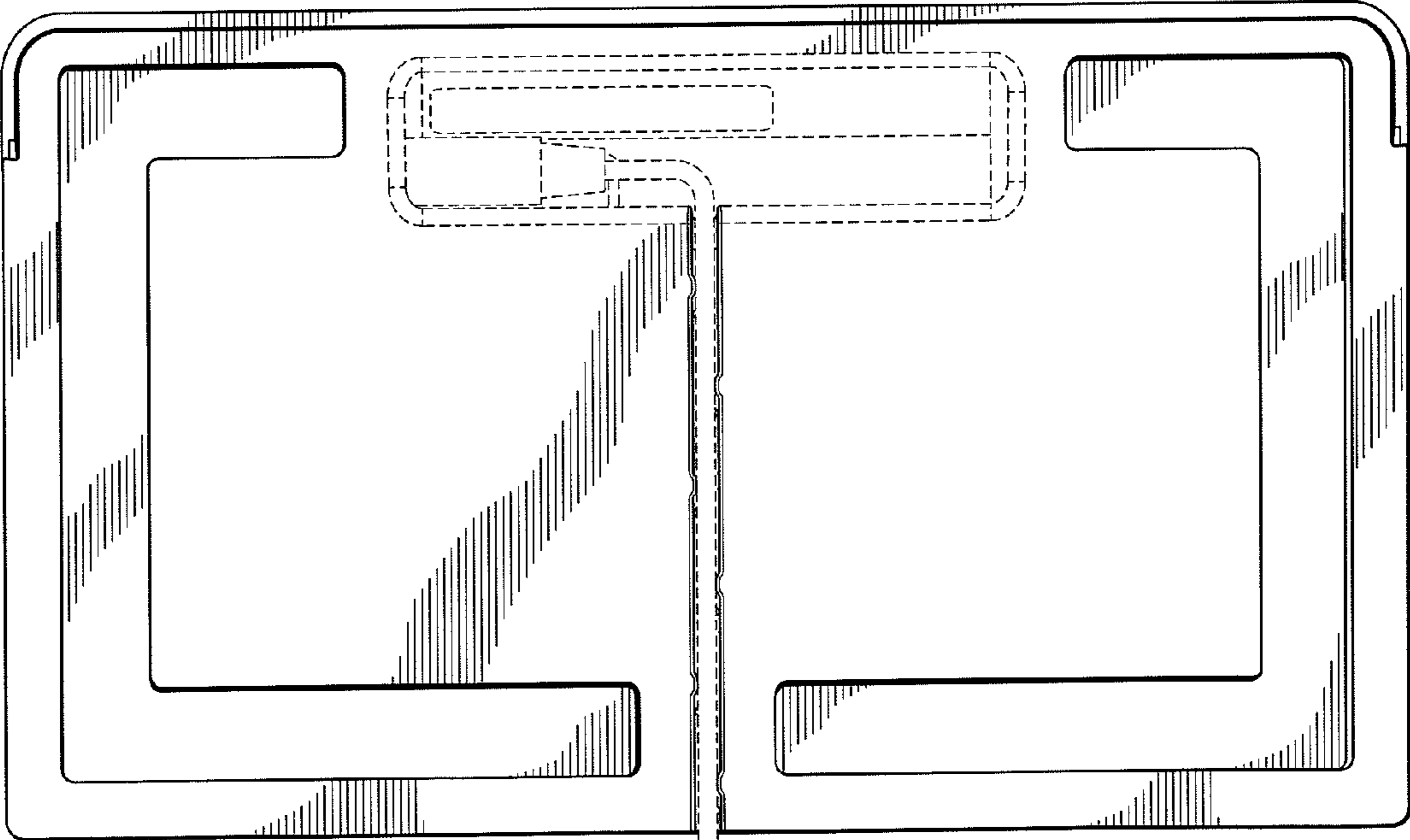


FIG. 8