



US00D599798S

(12) **United States Design Patent**
Fitch et al.

(10) **Patent No.:** **US D599,798 S**
(45) **Date of Patent:** **** Sep. 8, 2009**

(54) **HAND HELD COMPUTER DEVICE**

FOREIGN PATENT DOCUMENTS

(75) Inventors: **Timothy R. Fitch**, Syracuse, NY (US);
Larry K. Hooks, Jr., Fort Mill, SC
(US); **Brian V. Conti**, Matthews, NC
(US)

EP 0354814 B1 2/1990

(Continued)

(73) Assignee: **Hand Held Products, Inc.**, Skaneateles
Falls, NY (US)

OTHER PUBLICATIONS

(**) Term: **14 Years**

Payne, Gregory, Hand Held Products, Inc., Dolphin® 9500/9550
Mobile Computers Product Information Letter, Sep. 8, 2003, 52
pages.

(21) Appl. No.: **29/291,967**

Primary Examiner—Susan Moon Lee

(22) Filed: **Sep. 21, 2007**

(74) *Attorney, Agent, or Firm*—Marjama Muldoon Blasiak &
Sullivan LLP

Related U.S. Application Data

(57) **CLAIM**

(62) Division of application No. 10/938,416, filed on Sep.
10, 2004, now Pat. No. 7,446,753.

The ornamental design for a hand held computer device, as
shown and described.

(51) **LOC (9) Cl.** **14-02**

(52) **U.S. Cl.** **D14/426; D14/429**

(58) **Field of Classification Search** D14/420,
D14/426-430, 453, 346, 341, 347, 412; D13/107,
D13/184; 358/473; 235/462.43, 462.45,
235/462.47, 462.48, 462.44, 462.46, 487,
235/472.01, 472.02; 16/110.1, 430, 431;
439/133, 135; 709/219, 201; 710/73; 320/114,
320/115, 123; 361/679; 382/313, 321; 455/575.1,
455/561, 572

DESCRIPTION

See application file for complete search history.

FIG. 1 is a front perspective view of a hand held computer
device according to the invention.

FIG. 2 is a first rear perspective view of a hand held computer
device of FIG. 1.

FIG. 3 is a second rear perspective view of a hand held
computer device of FIG. 1.

FIG. 4 is a first side view of a hand held computer device of
FIG. 1.

FIG. 5 is a top view of a hand held computer device of FIG. 1.

FIG. 6 is a second side view of a hand held computer device
of FIG. 1.

FIG. 7 is a bottom view of a hand held computer device of
FIG. 1.

FIG. 8 is a front view of a hand held computer device of FIG.
1; and,

FIG. 9 is a rear view of a hand held computer device of FIG.
1.

The portions shown in broken line are not claimed.

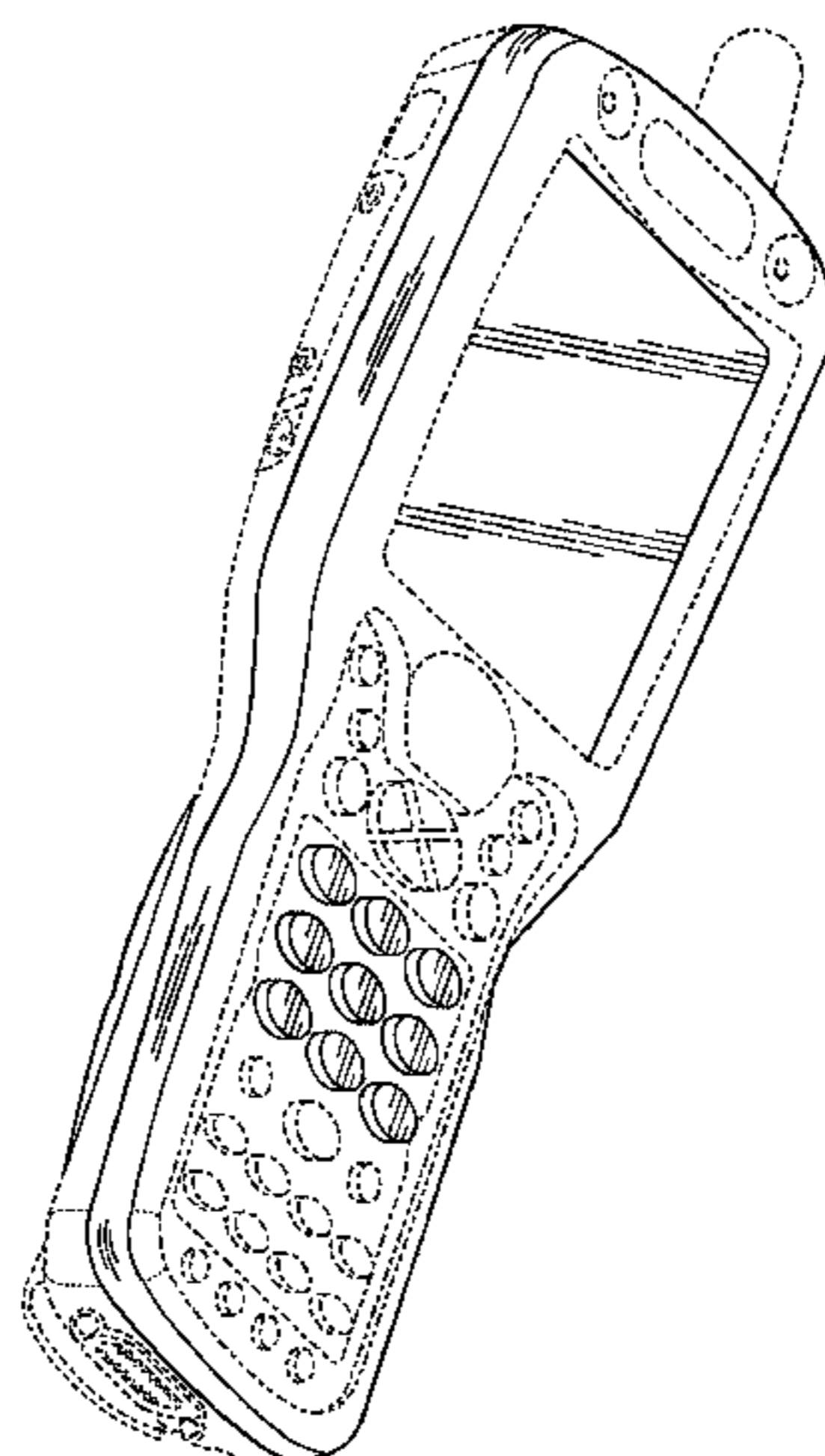
(56) **References Cited**

U.S. PATENT DOCUMENTS

4,020,527 A	5/1977	O'Neill
D248,946 S	8/1978	Koenig
D249,345 S	9/1978	Oliveira et al.
4,165,554 A	8/1979	Faget
D258,956 S	4/1981	Chadima, Jr.
4,305,508 A	12/1981	Rodgers et al.
4,335,303 A	6/1982	Call
D272,348 S	1/1984	Gonzales et al.
4,432,521 A	2/1984	Douglas
D274,249 S	6/1984	Polhemus

(Continued)

1 Claim, 8 Drawing Sheets



US D599,798 S

Page 2

U.S. PATENT DOCUMENTS							
4,505,395	A	3/1985	Nathan	D351,151	S	10/1994	Park et al.
4,570,057	A	2/1986	Chadima, Jr. et al.	D352,935	S	11/1994	Etoh et al.
4,621,189	A	11/1986	Kumar et al.	D352,936	S	11/1994	Karlin
4,654,818	A	3/1987	Wetterau, Jr.	D352,939	S	11/1994	Karlin
4,694,182	A	9/1987	Howard	D353,134	S	12/1994	Etoh et al.
4,703,161	A	10/1987	McLean	D353,704	S	12/1994	Bhambra et al.
D293,795	S	1/1988	Yamamoto et al.	D355,904	S	2/1995	Swartz et al.
D297,429	S	8/1988	Pedinielli et al.	D356,299	S	3/1995	Hamilton et al.
D297,430	S	8/1988	Beard et al.	5,410,141	A	4/1995	Koenck et al.
D297,431	S	8/1988	Beard et al.	D357,917	S	5/1995	Ito et al.
D297,432	S	8/1988	Stant et al.	D358,588	S	5/1995	LaManna et al.
4,766,299	A	8/1988	Tierney et al.	D359,040	S	6/1995	Nakamura et al.
D297,939	S	10/1988	Bradbury et al.	5,424,525	A	6/1995	Rockstein et al.
D299,234	S	1/1989	Kajita et al.	5,430,284	A	7/1995	Numazaki et al.
D299,235	S	1/1989	Feger et al.	5,432,510	A	7/1995	Matthews
4,801,786	A	1/1989	Stobbe et al.	D361,564	S	8/1995	Inaba et al.
4,818,847	A	4/1989	Hara et al.	D361,565	S	8/1995	LaManna et al.
4,818,856	A	4/1989	Matsushima et al.	D363,287	S	10/1995	Laituri
4,835,372	A	5/1989	Gombrich et al.	5,457,307	A	10/1995	Dumont et al.
4,841,129	A	6/1989	Tawara et al.	5,477,042	A	12/1995	Wang
D302,265	S	7/1989	Siegner et al.	5,479,001	A	12/1995	Kumar
D302,269	S	7/1989	Kelly	D366,043	S	1/1996	Hara et al.
4,850,009	A	7/1989	Zook et al.	D366,044	S	1/1996	Hara et al.
4,855,746	A	8/1989	Stacy	5,481,265	A	1/1996	Russell
D303,663	S	9/1989	Kumar et al.	D366,876	S	2/1996	Labohm et al.
D305,884	S	2/1990	Krichever et al.	D367,060	S	2/1996	Augaitis et al.
4,916,441	A	4/1990	Gombrich	5,489,770	A	2/1996	Kadota et al.
D308,865	S	6/1990	Weaver et al.	5,530,619	A	6/1996	Koenck et al.
4,930,848	A	6/1990	Knowles	D372,245	S	7/1996	Brooks
D308,968	S	7/1990	Morun et al.	D372,246	S	7/1996	Renk et al.
D309,729	S	8/1990	Tanabe et al.	D374,869	S	10/1996	Karlin
D311,393	S	10/1990	Weaver et al.	5,616,906	A	4/1997	Kumar
D312,622	S	12/1990	Alden et al.	D383,124	S	9/1997	Lanzaro et al.
D312,628	S	12/1990	Yokoi et al.	5,668,574	A	9/1997	Jarlance-Huang et al.
D313,401	S	1/1991	Tanabe et al.	5,679,943	A	10/1997	Schultz et al.
D315,901	S	4/1991	Knowles	D386,152	S	11/1997	Warneke
D316,854	S	5/1991	Okuyama et al.	D390,554	S	2/1998	Larson et al.
5,023,438	A	6/1991	Wakatsuki et al.	D391,234	S	2/1998	Chacon et al.
5,023,824	A	6/1991	Chadima, Jr. et al.	D392,282	S	3/1998	Ahearn et al.
D319,228	S	8/1991	Mori et al.	D393,834	S	4/1998	Margalit et al.
D320,013	S	9/1991	Siemiatkowski et al.	5,748,455	A	5/1998	Phillips et al.
5,046,739	A	9/1991	Reichow	D394,855	S	6/1998	Ahearn et al.
5,081,343	A	1/1992	Chadima, Jr. et al.	5,763,824	A	6/1998	King et al.
D331,576	S	12/1992	Yamanaka et al.	D396,215	S	7/1998	Inukai et al.
D332,604	S	1/1993	Miyake et al.	D398,903	S	9/1998	Chacon et al.
5,187,354	A	2/1993	Bengtsson et al.	5,801,918	A	9/1998	Ahearn et al.
5,191,197	A	3/1993	Metlitsky et al.	5,811,050	A	9/1998	Gabower
5,202,817	A	4/1993	Koenck et al.	5,828,052	A	10/1998	Reynolds et al.
5,216,233	A	6/1993	Main et al.	D400,872	S	11/1998	Ahearn et al.
5,218,187	A	6/1993	Koenck et al.	5,831,819	A	11/1998	Chacon et al.
5,218,188	A	6/1993	Hanson	D405,071	S	2/1999	Gambaro
D337,316	S	7/1993	Ruiten et al.	D405,075	S	2/1999	Ahearn et al.
5,227,614	A	7/1993	Danielson et al.	D405,076	S	2/1999	Ahearn et al.
D338,658	S	8/1993	Suzuki et al.	D414,470	S	* 9/1999	Chacon et al. D14/341
5,237,162	A	8/1993	Harden et al.	D414,760	S	10/1999	Hetfield et al.
D340,034	S	10/1993	Hofstetter et al.	5,969,328	A	10/1999	Kunert
D340,707	S	10/1993	Swartz	6,016,083	A	1/2000	Satoh et al.
D341,584	S	11/1993	Shepard et al.	D422,622	S	4/2000	Ono et al.
D341,825	S	11/1993	Hamilton et al.	D428,883	S	8/2000	Mizusugi et al.
D341,838	S	11/1993	Kasch et al.	D429,226	S	8/2000	Siddoway et al.
5,260,553	A	11/1993	Rockstein et al.	D430,158	S	8/2000	Bhatia et al.
5,264,956	A	11/1993	Tzu-Chin et al.	D430,159	S	8/2000	Bhatia et al.
D342,256	S	12/1993	Payne et al.	6,105,871	A	8/2000	Campo et al.
D343,170	S	1/1994	Gilpin et al.	6,109,528	A	8/2000	Kunert et al.
5,281,801	A	1/1994	Shepard et al.	D431,562	S	10/2000	Bhatia et al.
5,288,984	A	2/1994	Ito et al.	6,138,914	A	10/2000	Campo et al.
5,288,985	A	2/1994	Chadima, Jr. et al.	D436,104	S	1/2001	Bhatia et al.
5,291,009	A	3/1994	Roustaei	D439,898	S	4/2001	Ober et al.
5,294,782	A	3/1994	Kumar	D447,141	S	* 8/2001	Itoh et al. D14/385
D346,793	S	5/1994	Iino et al.	6,297,969	B1	10/2001	Mottahed
D350,334	S	9/1994	Kumar et al.	D454,349	S	3/2002	Makidera et al.
				D456,806	S	5/2002	Ahearn et al.
				D457,883	S	5/2002	Sugioka et al.

US D599,798 S

Page 3

6,390,366 B1	5/2002	Heidenreich et al.		D494,593 S	8/2004	Wulff et al.
D458,265 S	6/2002	Fitch		D496,366 S	9/2004	Croley et al.
D460,068 S	7/2002	Lanzaro et al.		D498,475 S	11/2004	Byun
D462,357 S	9/2002	Jenkins		D501,207 S	1/2005	Ohta et al.
D463,421 S	9/2002	Lanzaro et al.		D505,423 S	5/2005	Ahearn et al.
D463,425 S	9/2002	Jenkins		7,077,328 B2 *	7/2006	Krishnaswamy et al. 235/472.01
D464,962 S	10/2002	MacGregor et al.		2002/0166682 A1	11/2002	Watchko et al.
6,466,198 B1	10/2002	Feinstein		2003/0121981 A1 *	7/2003	Slutsky et al. 235/462.45
D465,219 S	11/2002	Tamaki et al.		2006/0054704 A1	3/2006	Fitch
D466,116 S	11/2002	Bhatia et al.				
6,483,719 B1	11/2002	Bachman				
D467,918 S	12/2002	Fitch et al.				
6,490,438 B1	12/2002	Wu et al.				
D470,842 S	2/2003	Bhatia et al.				
D473,872 S	4/2003	Ausems et al.				
D475,047 S	5/2003	Choi et al.				
D476,330 S	6/2003	Ahearn et al.				
D480,697 S	10/2003	Lee et al.				
6,633,483 B2 *	10/2003	Akagi et al. 361/686				
D492,303 S	6/2004	Schlieffers et al.				
D492,305 S	6/2004	Choi et al.				
D492,681 S	7/2004	Ahearn et al.				
D494,584 S	8/2004	Schlieffers et al.				

FOREIGN PATENT DOCUMENTS

EP	0531645 B1	3/1993
EP	0565245 A1	10/1993
EP	0650619 B1	5/1995
GB	2244546 A	12/1991
JP	1137389	5/1989
WO	WO-9008392 A1	7/1990
WO	WO-9402910 A1	2/1994
WO	WO-9412999 A1	6/1994

* cited by examiner

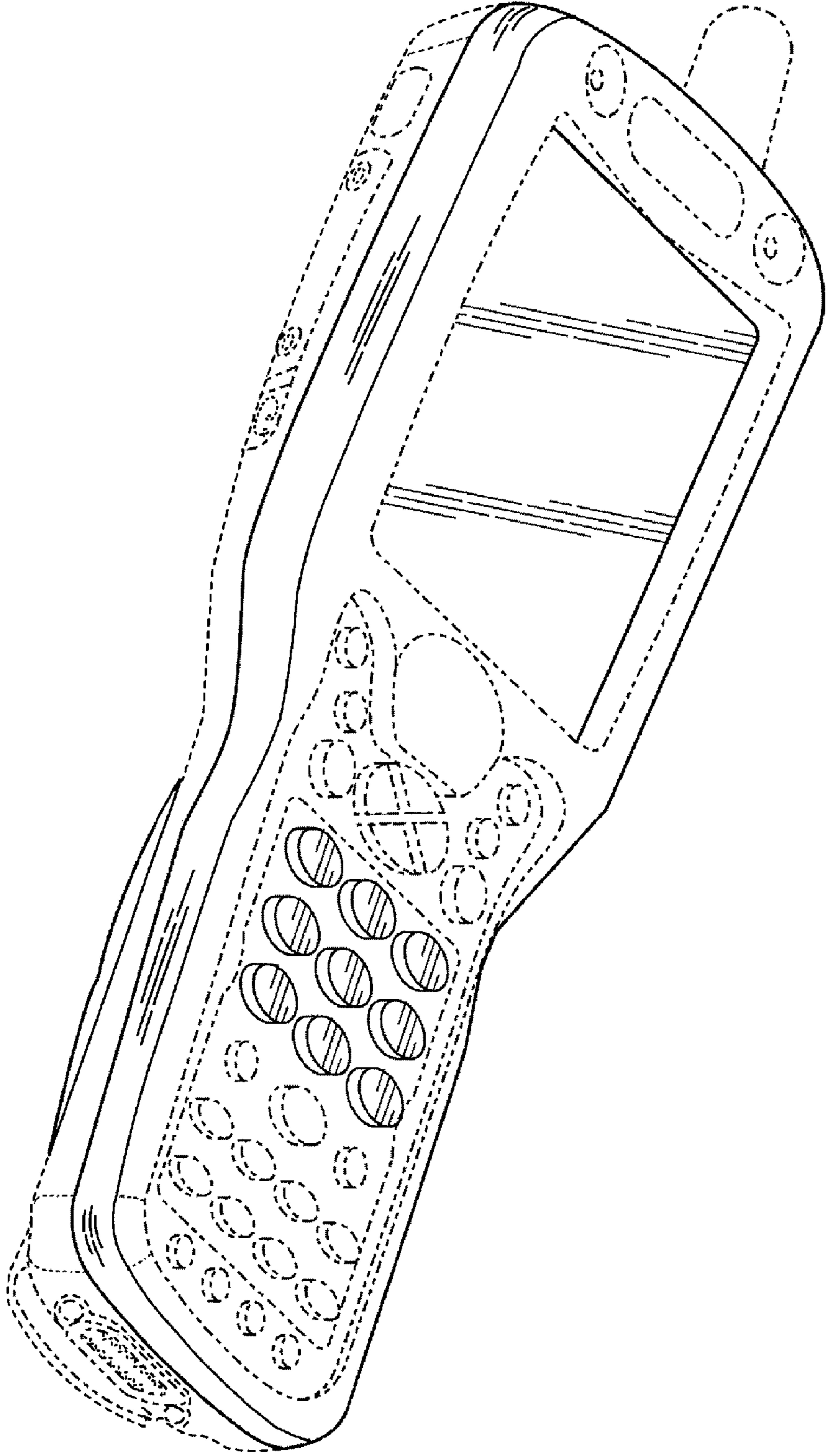


FIG. 1

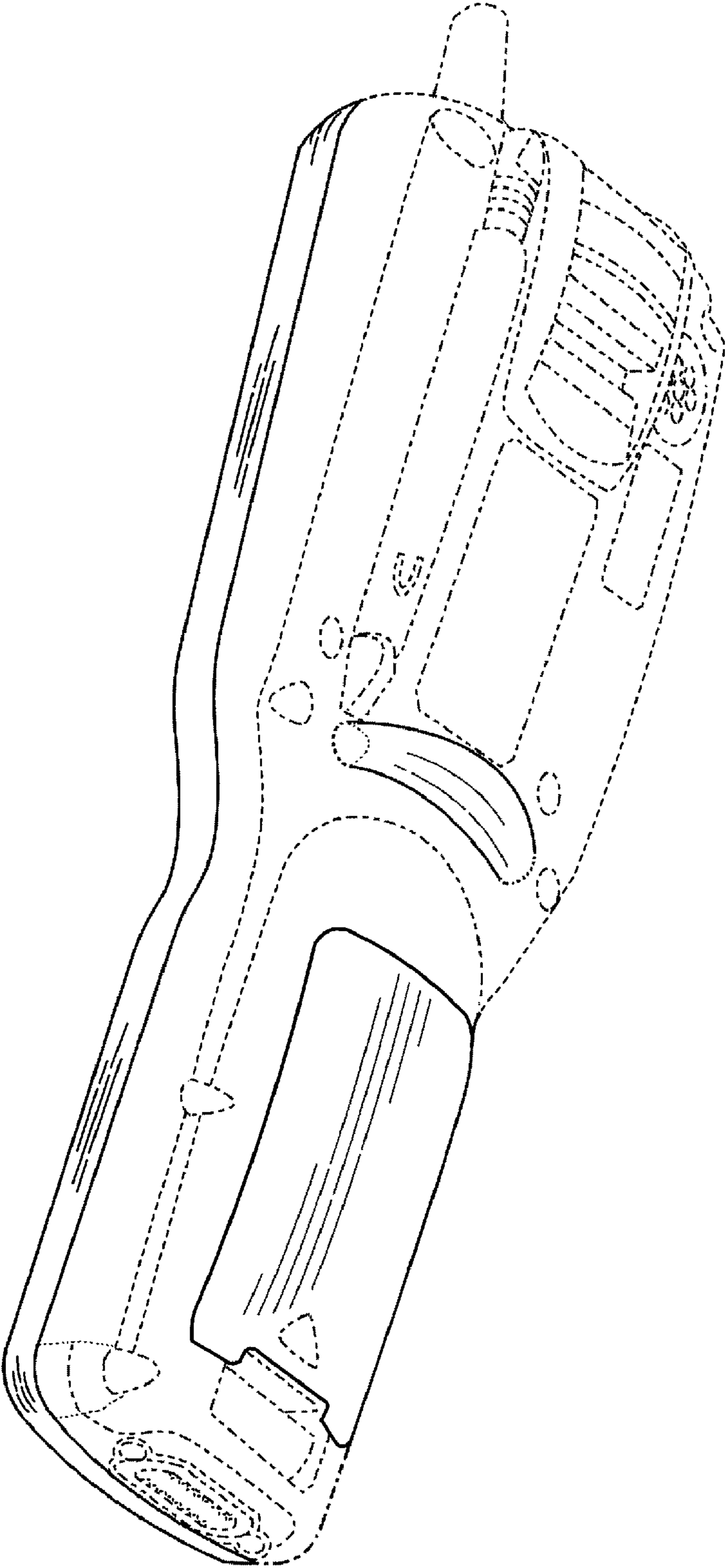


FIG. 2

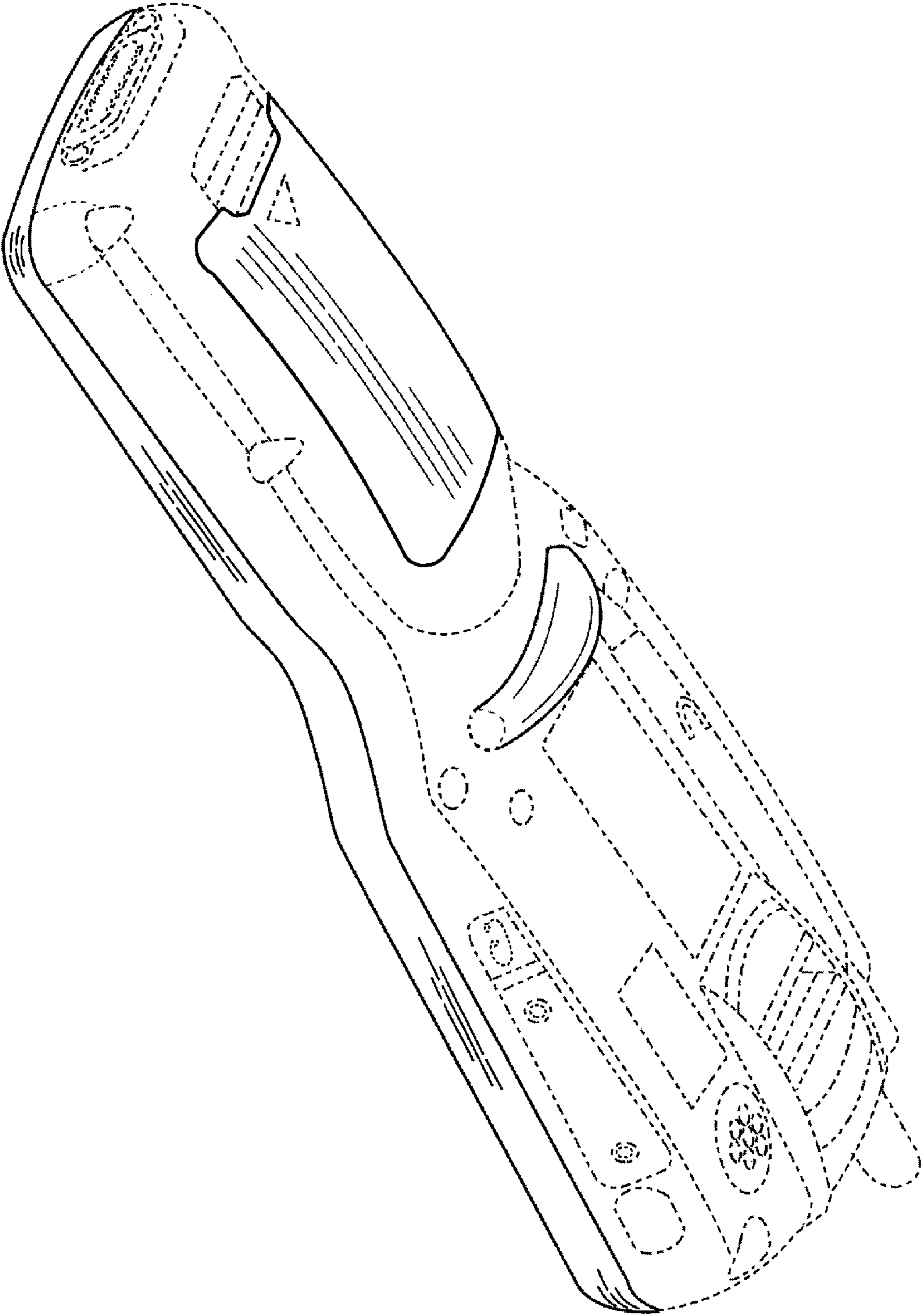


FIG. 3

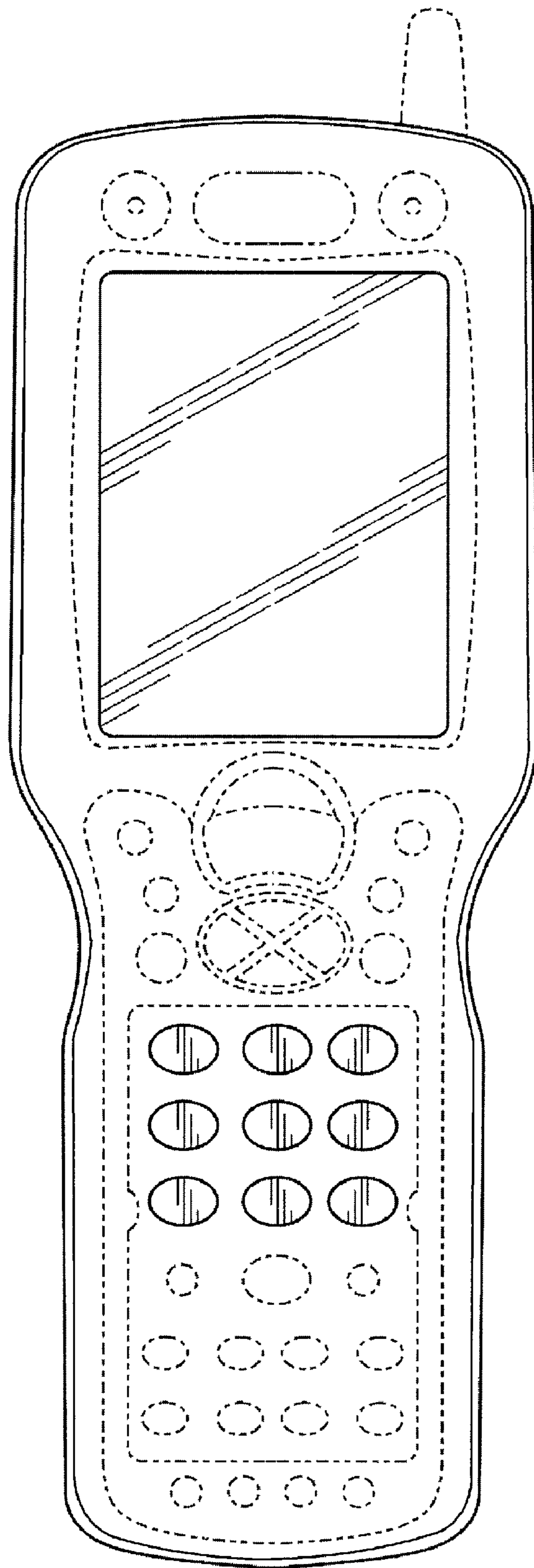


FIG. 4

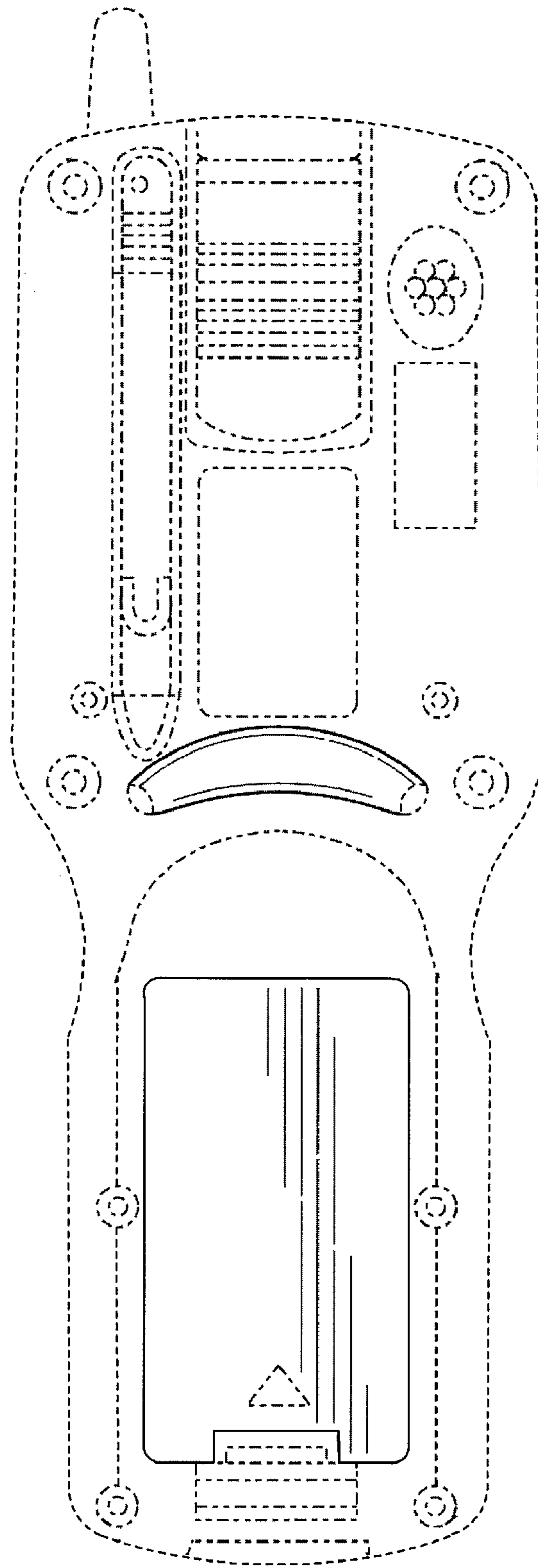


FIG. 5

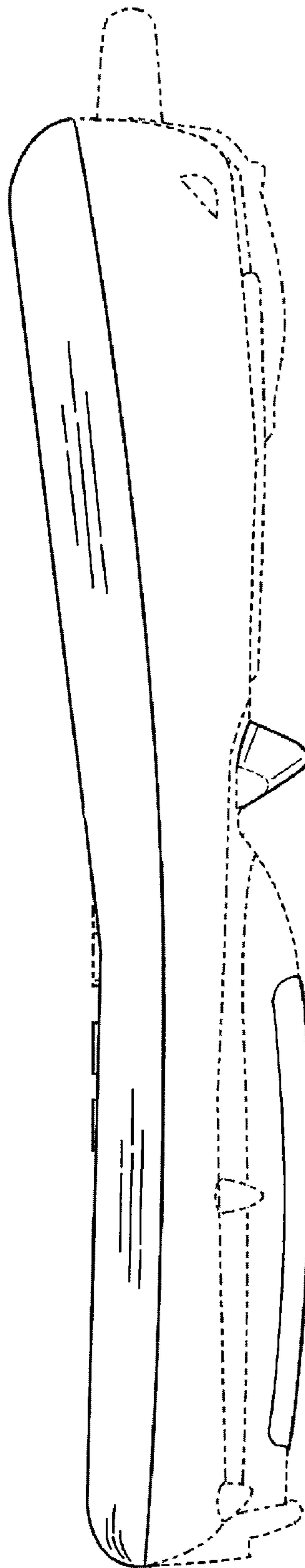


FIG. 6

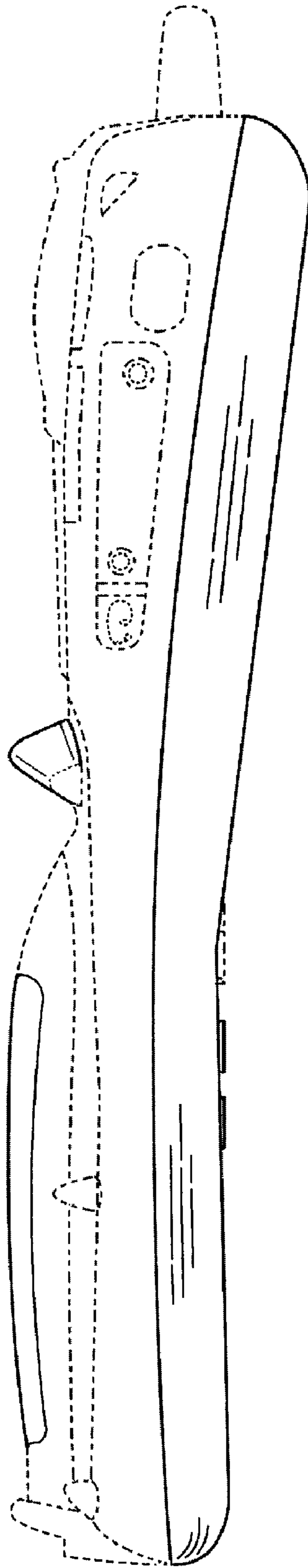


FIG. 7

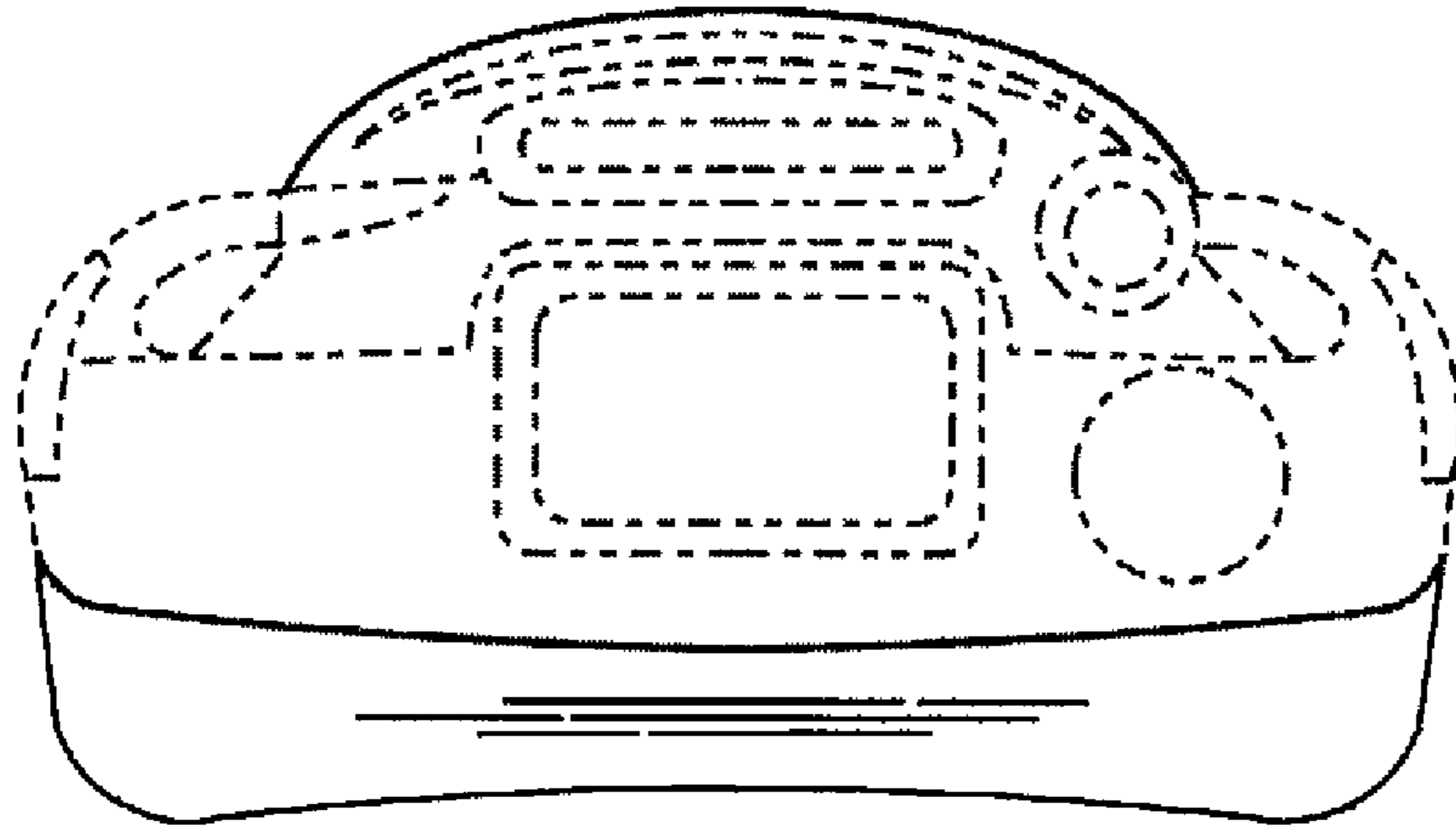


FIG. 8

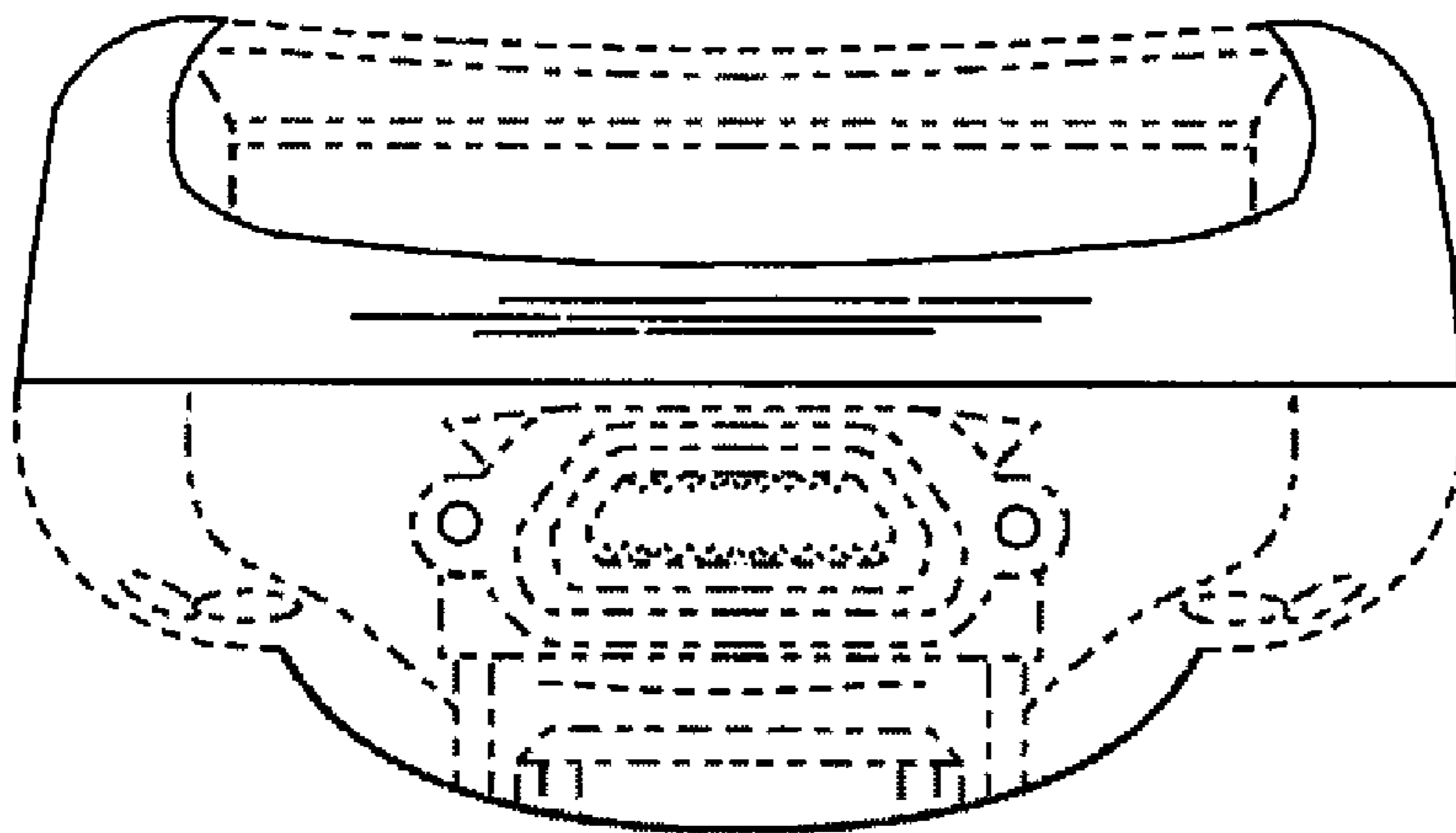


FIG. 9