



US00D599795S

(12) **United States Design Patent**  
**Lindley**

(10) **Patent No.:** **US D599,795 S**

(45) **Date of Patent:** **\*\* Sep. 8, 2009**

(54) **RFID READER**

(75) Inventor: **Scott Lindley**, Redwood City, CA (US)

(73) Assignee: **Farpointe Data, Inc.**, Mountain View, CA (US)

(\*\*) Term: **14 Years**

(21) Appl. No.: **29/288,671**

(22) Filed: **Jun. 18, 2007**

(51) **LOC (9) Cl.** ..... **14-02**

(52) **U.S. Cl.** ..... **D14/358; D14/240; D14/480.1**

(58) **Field of Classification Search** ..... D14/188,  
D14/242, 496, 230-237, 241, 167, 302, 314,  
D14/348-358, 363, 383, 433, 435, 439-441,  
D14/140-140.91, 480.1-48.9; D13/149,  
D13/184; D3/201, 273; 711/100, 115; 361/685,  
361/725, 752; 369/272.1, 273, 75.11; 360/133,  
360/79.01, 97.03; 379/220.01, 221.09, 220.14,  
379/25, 93.09, 93.19, 156, 900, 338-339,  
379/441

See application file for complete search history.

(56) **References Cited**

**U.S. PATENT DOCUMENTS**

D408,384 S \* 4/1999 Hata et al. .... D14/435.1  
D425,072 S \* 5/2000 Dosch et al. .... D14/242  
D520,460 S \* 5/2006 Wadsworth et al. .... D13/156

D530,317 S \* 10/2006 Johnson et al. .... D14/242  
D537,036 S \* 2/2007 Chen ..... D13/133  
D560,214 S \* 1/2008 Yuba et al. .... D14/230  
D572,251 S \* 7/2008 Lee ..... D14/358  
D573,594 S \* 7/2008 Hsu ..... D14/358

\* cited by examiner

*Primary Examiner*—Charles A Rademaker

*Assistant Examiner*—Charles D Hanson

(74) *Attorney, Agent, or Firm*—Nixon Peabody LLP; David B. Ritchie

(57) **CLAIM**

The ornamental design for an RFID reader, as shown and described.

**DESCRIPTION**

FIG. 1 is a top perspective view of an RFID reader showing my new design;

FIG. 2 is a top plan view thereof;

FIG. 3 is a bottom plan view;

FIG. 4 is a left side view thereof;

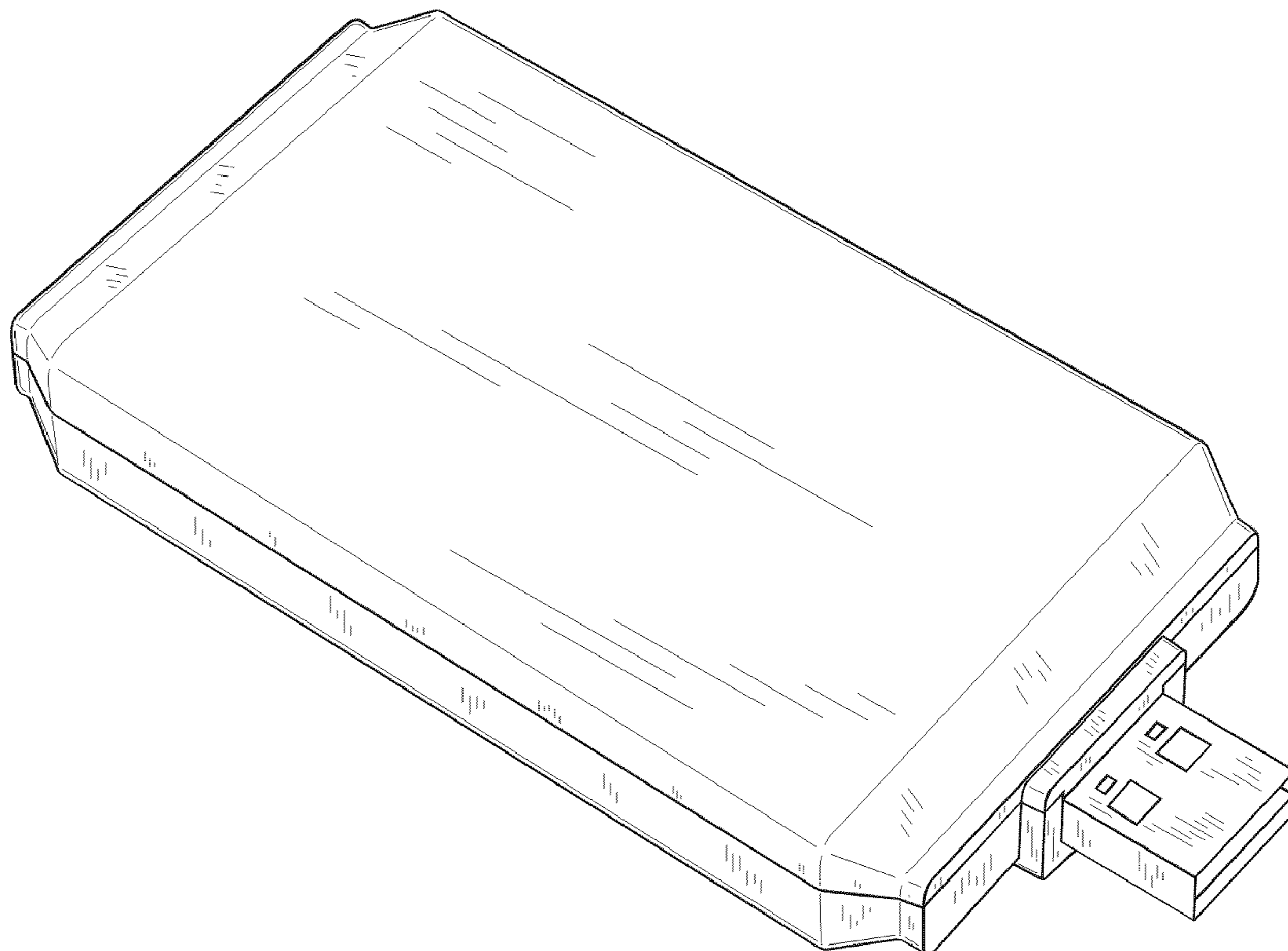
FIG. 5 is a right side view thereof;

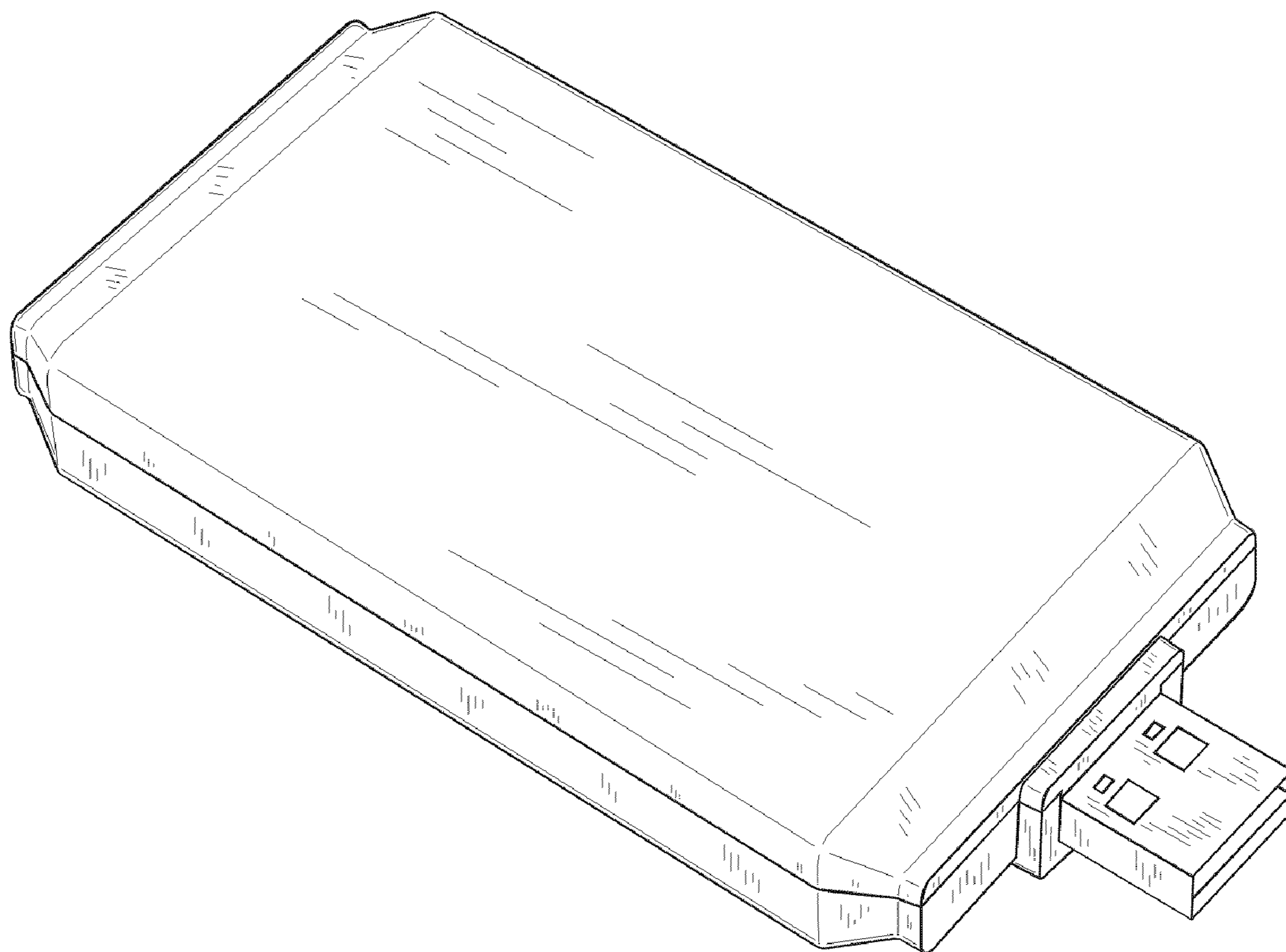
FIG. 6 is a front elevation view thereof; and,

FIG. 7 is a rear elevation view thereof; and,

FIG. 8 is a bottom perspective view thereof.

**1 Claim, 5 Drawing Sheets**





**FIG. 1**

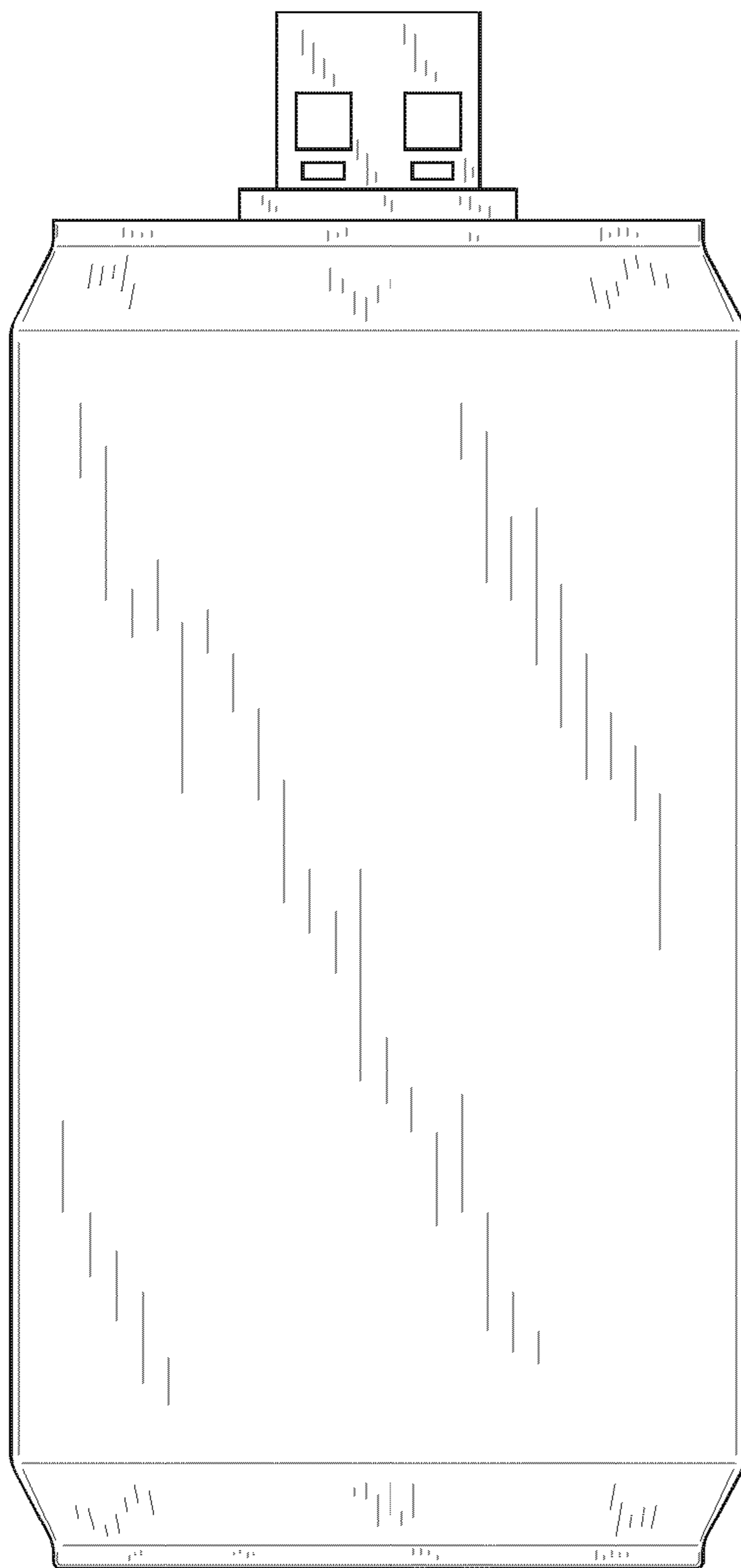


FIG. 2

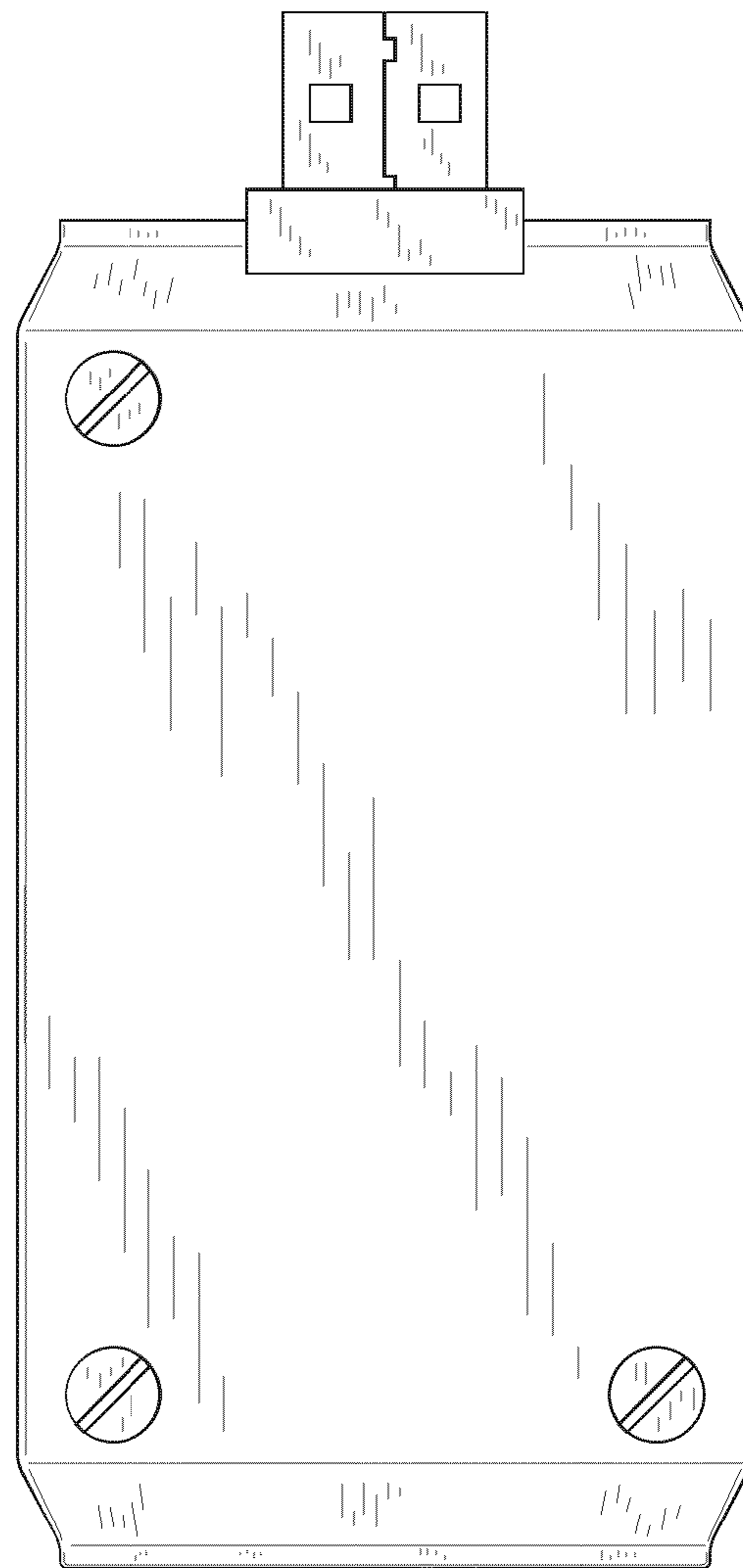
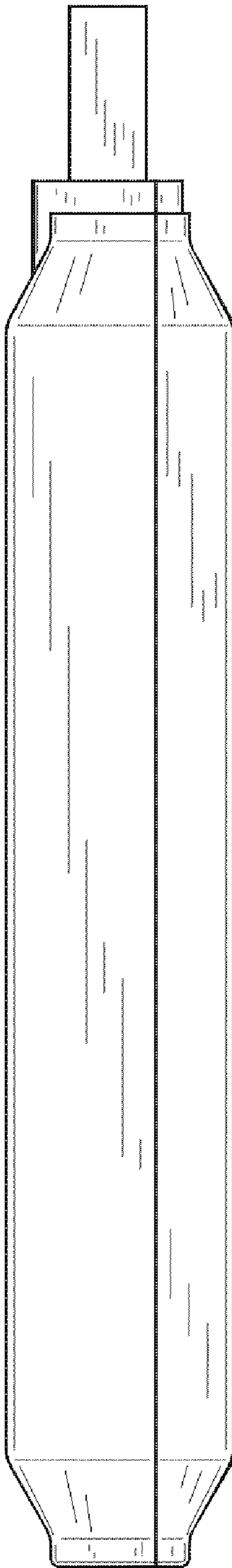
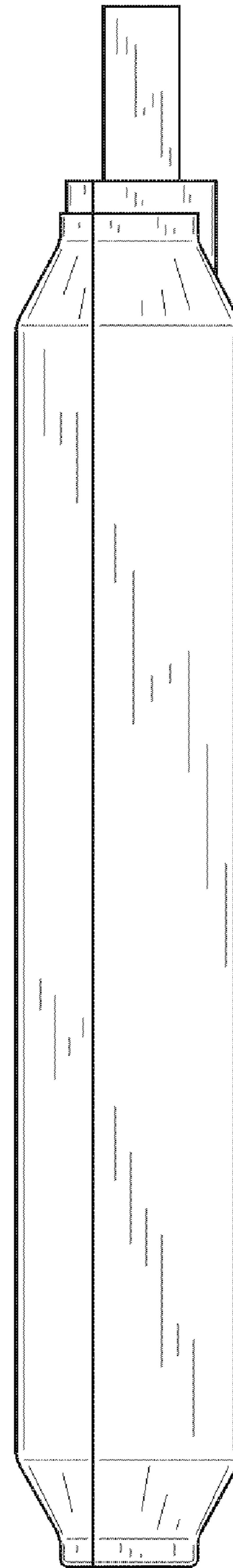


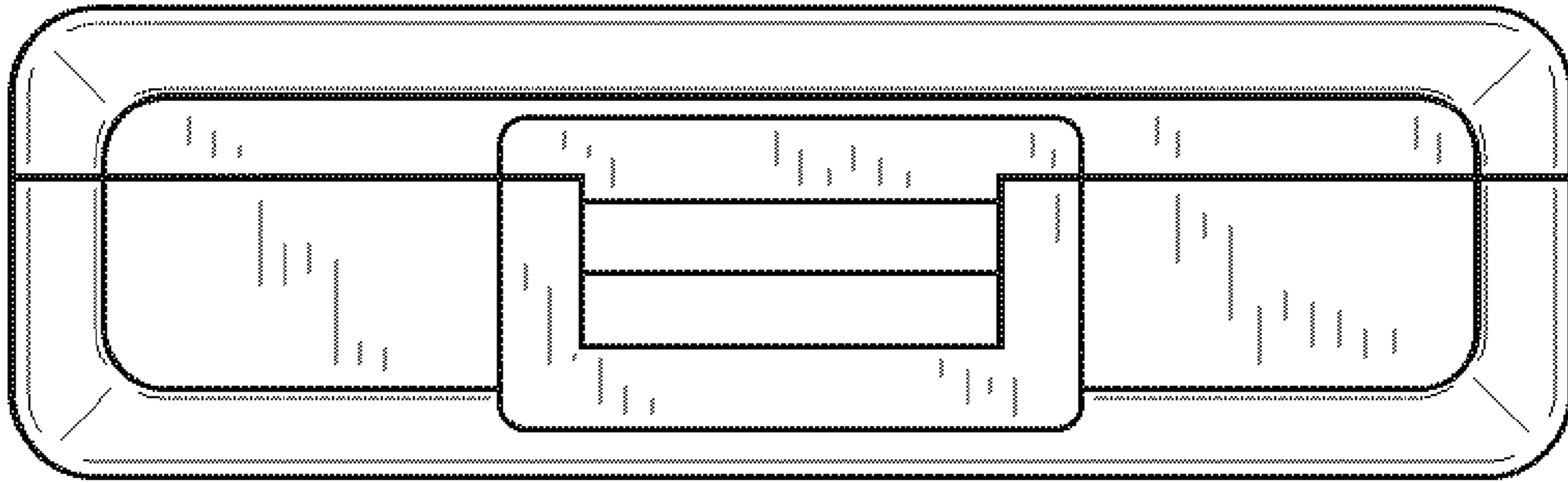
FIG. 3



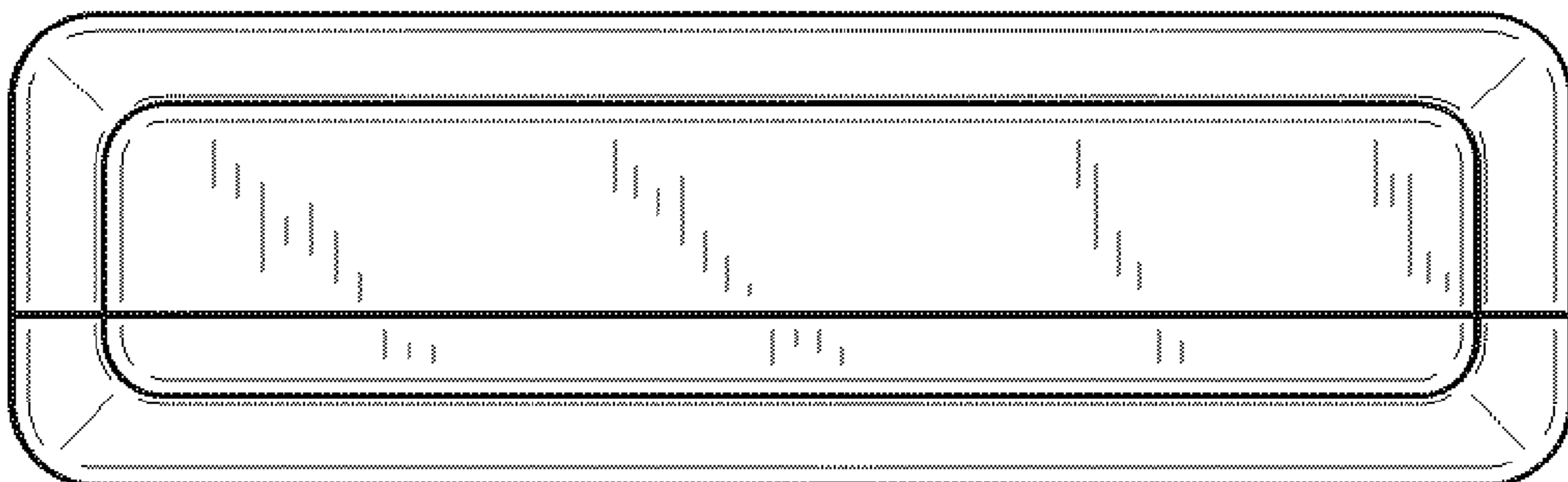
**FIG. 4**



**FIG. 5**



**FIG. 6**



**FIG. 7**



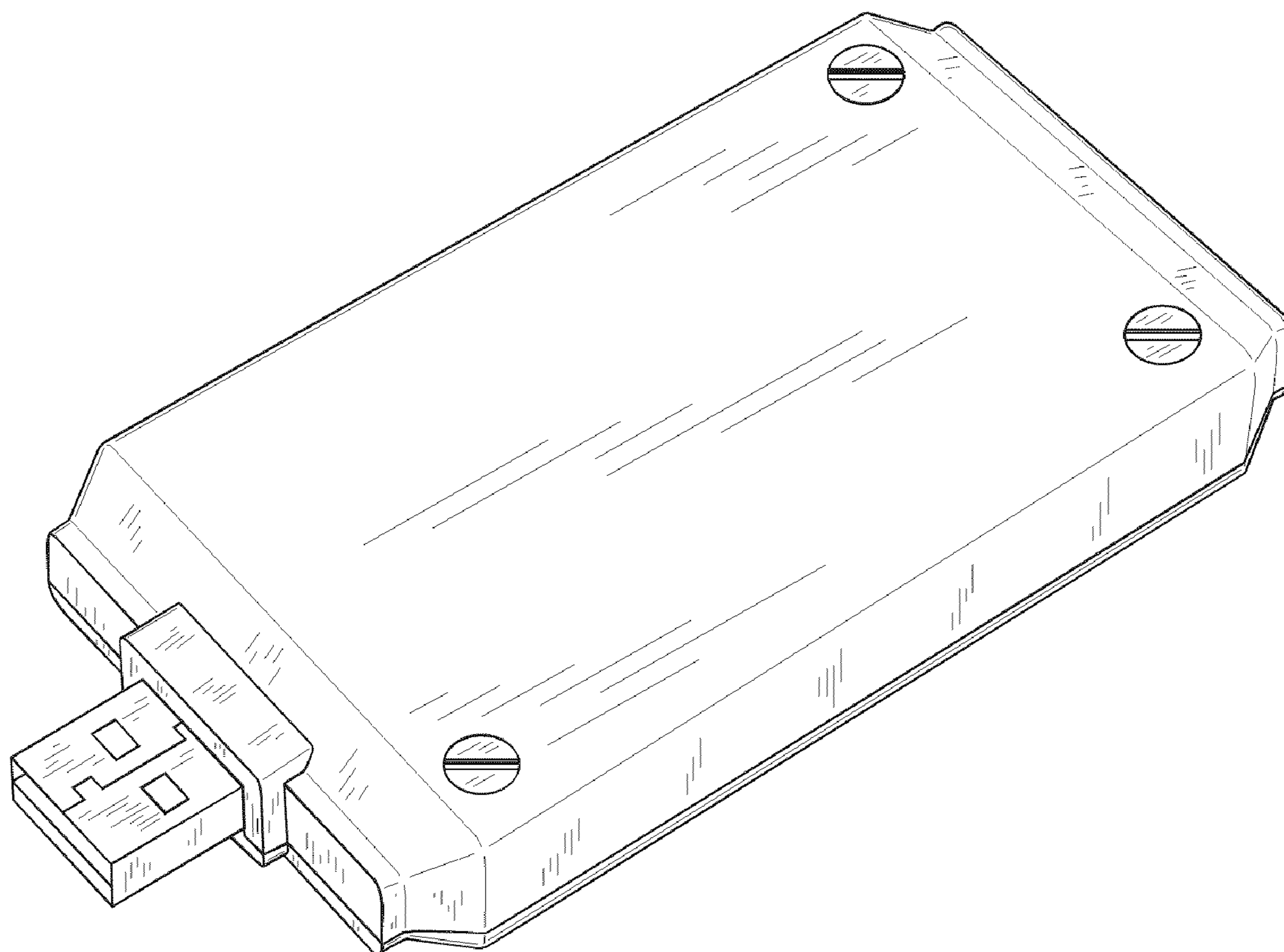


FIG. 8