



US00D599792S

(12) **United States Design Patent**
Lin

(10) **Patent No.:** **US D599,792 S**
(45) **Date of Patent:** **** Sep. 8, 2009**

(54) **TABLET PERSONAL COMPUTER**
(75) Inventor: **Chi-Hung Lin**, Taipei (TW)
(73) Assignee: **Asustek Computer Inc.**, Taipei (TW)
(**) Term: **14 Years**
(21) Appl. No.: **29/323,189**
(22) Filed: **Aug. 20, 2008**

(30) **Foreign Application Priority Data**
Jun. 20, 2008 (TW) 97303607
(51) **LOC (9) Cl.** **14-02**
(52) **U.S. Cl.** **D14/331; D14/341; D14/391;**
D14/371
(58) **Field of Classification Search** D14/341–346,
D14/371–375, 331, 336, 315, 328, 391–399;
D19/59, 60; 345/104, 156; 400/486, 489;
341/22; 248/460, 176.1; 178/18.03; 349/12;
361/680–686, 679.05, 679.15, 679.44
See application file for complete search history.

(56) **References Cited**
U.S. PATENT DOCUMENTS
5,712,760 A * 1/1998 Coulon et al. 361/679.15
6,262,885 B1 * 7/2001 Emma et al. 361/679.05
6,351,372 B1 * 2/2002 Kim 361/679.15
6,464,195 B1 * 10/2002 Hildebrandt 248/460
6,816,365 B2 * 11/2004 Hill et al. 361/679.44
6,999,008 B2 * 2/2006 Wang et al. 341/22
D519,500 S * 4/2006 Maskatia et al. D14/318
7,042,712 B2 * 5/2006 Ghosh et al. 361/679.03
D528,541 S * 9/2006 Maskatia D14/315
D538,800 S * 3/2007 Zhang et al. D14/331

7,203,059 B1 * 4/2007 Kramer 361/679.55
D543,979 S * 6/2007 Lee D14/341
D565,047 S * 3/2008 Jawerth et al. D14/391
2004/0228076 A1 * 11/2004 Clapper 361/681
2005/0128695 A1 * 6/2005 Han 361/683
2006/0237599 A1 * 10/2006 Ternus et al. 248/176.1

* cited by examiner

Primary Examiner—Freda S Nunn
(74) *Attorney, Agent, or Firm*—Thomas, Kayden,
Horstemeyer & Risley

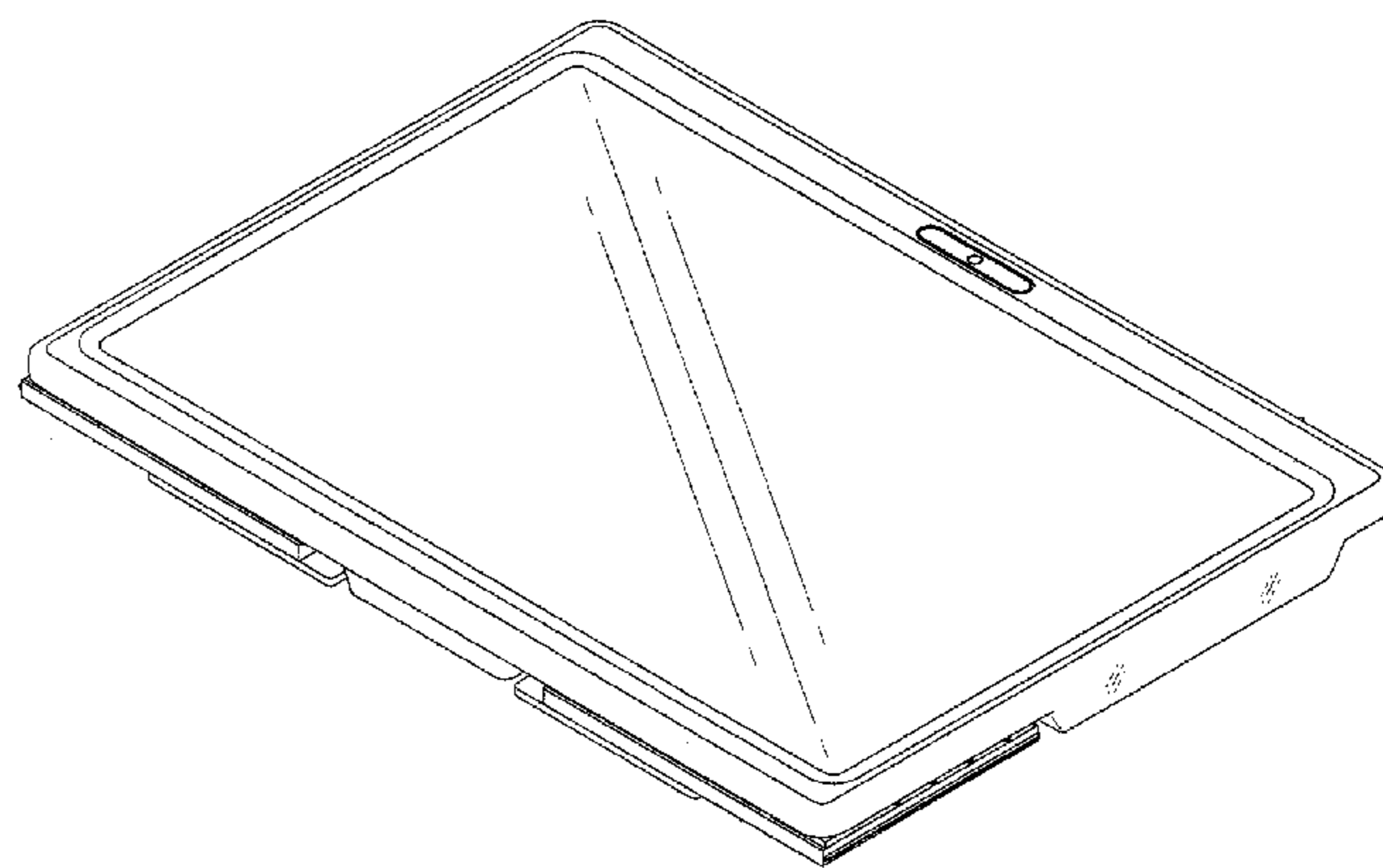
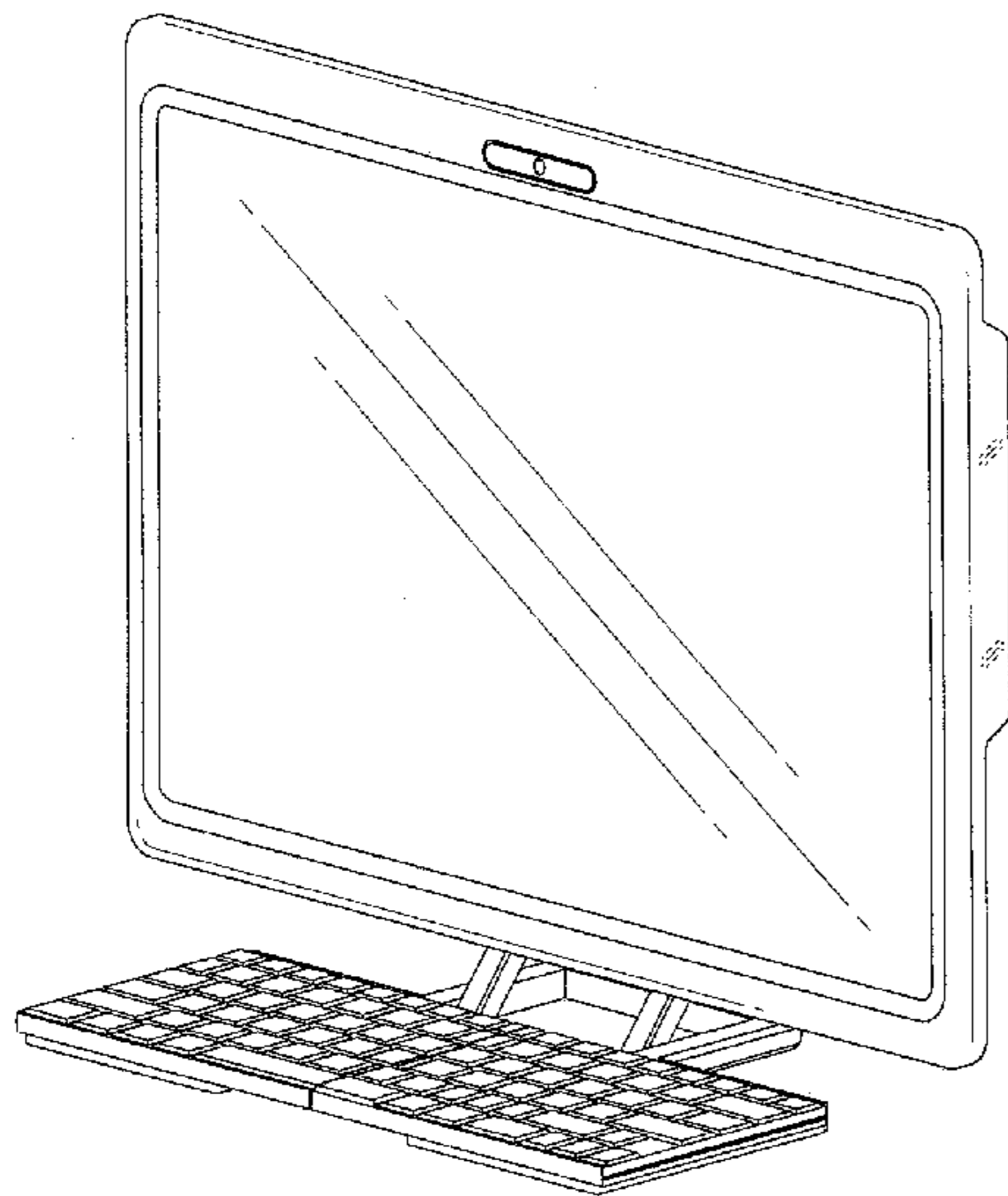
(57) **CLAIM**

The ornamental design for a tablet personal computer, as shown and described.

DESCRIPTION

FIG. 1 is a front perspective view of the tablet PC while in an opened position showing our new design;
FIG. 2 is a front view thereof;
FIG. 3 is a rear view thereof;
FIG. 4 is a right side view thereof;
FIG. 5 is a left side view thereof;
FIG. 6 is a cross-sectional view thereof taken along line 6—6 of FIG. 3;
FIG. 7 is a top plan view thereof;
FIG. 8 is a bottom plan view thereof;
FIG. 9 is a rear perspective view thereof;
FIG. 10 is a perspective view thereof while in a closed position; and,
FIG. 11 is a bottom perspective view thereof.

1 Claim, 10 Drawing Sheets



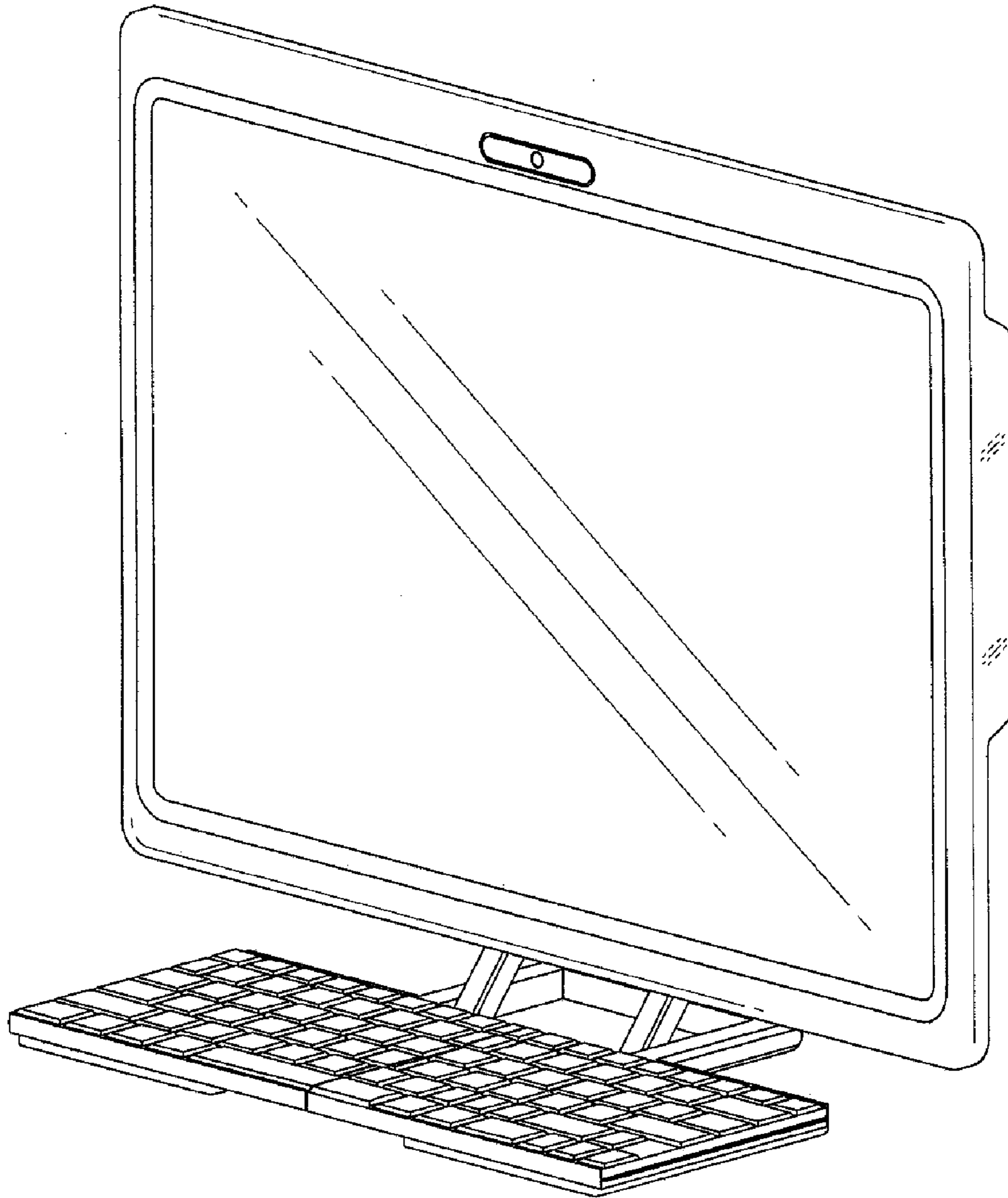


Fig. 1

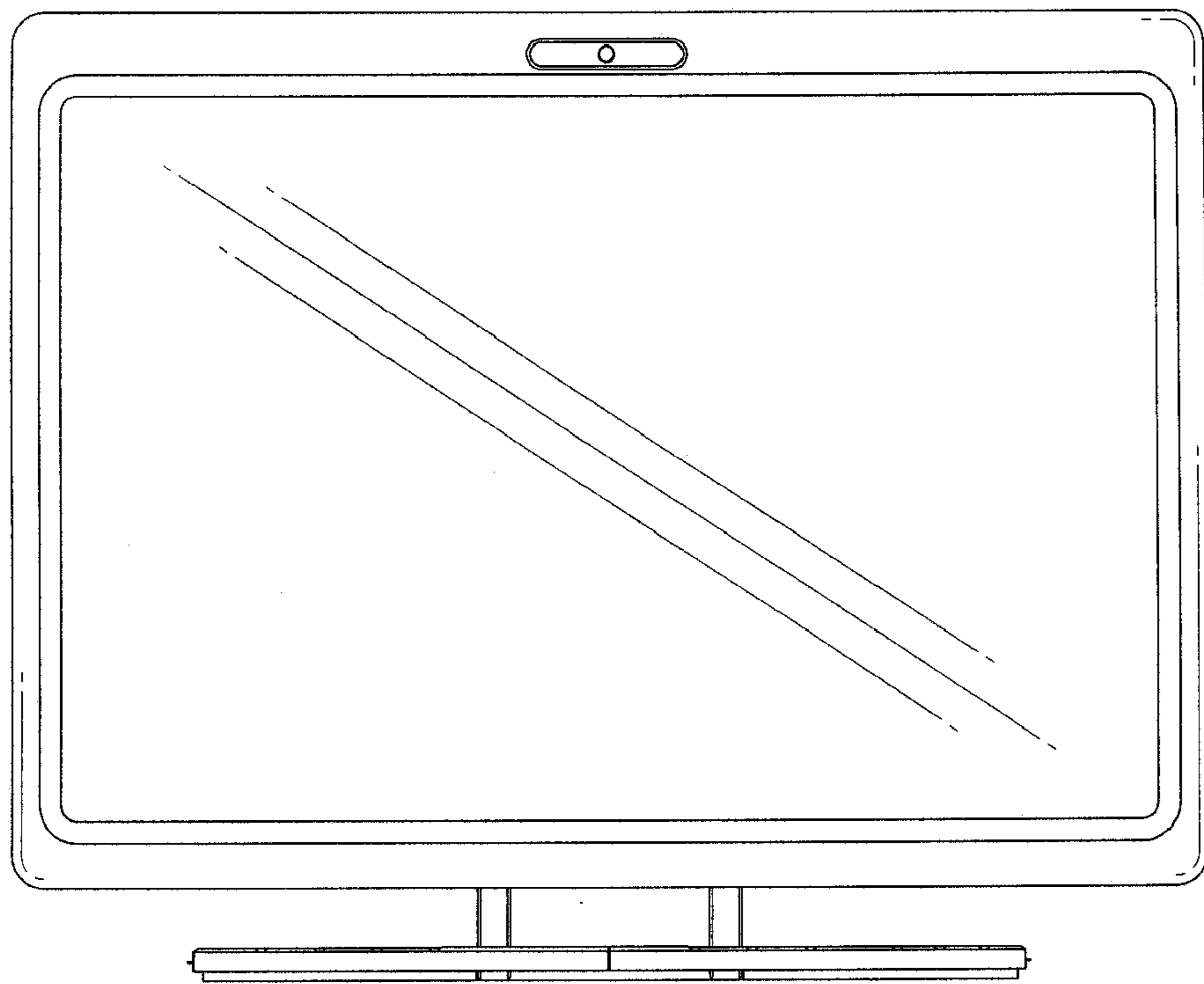


Fig. 2

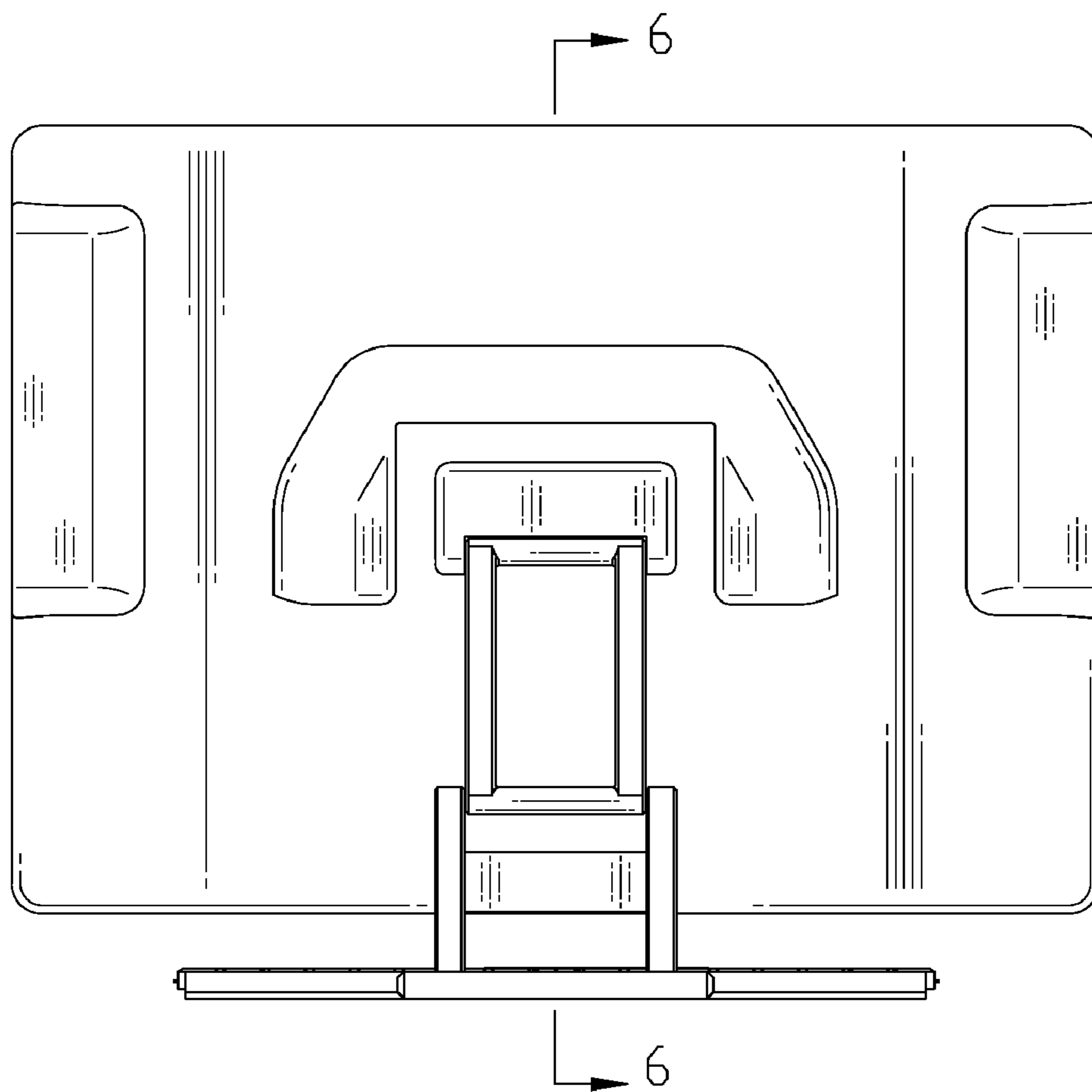


Fig. 3

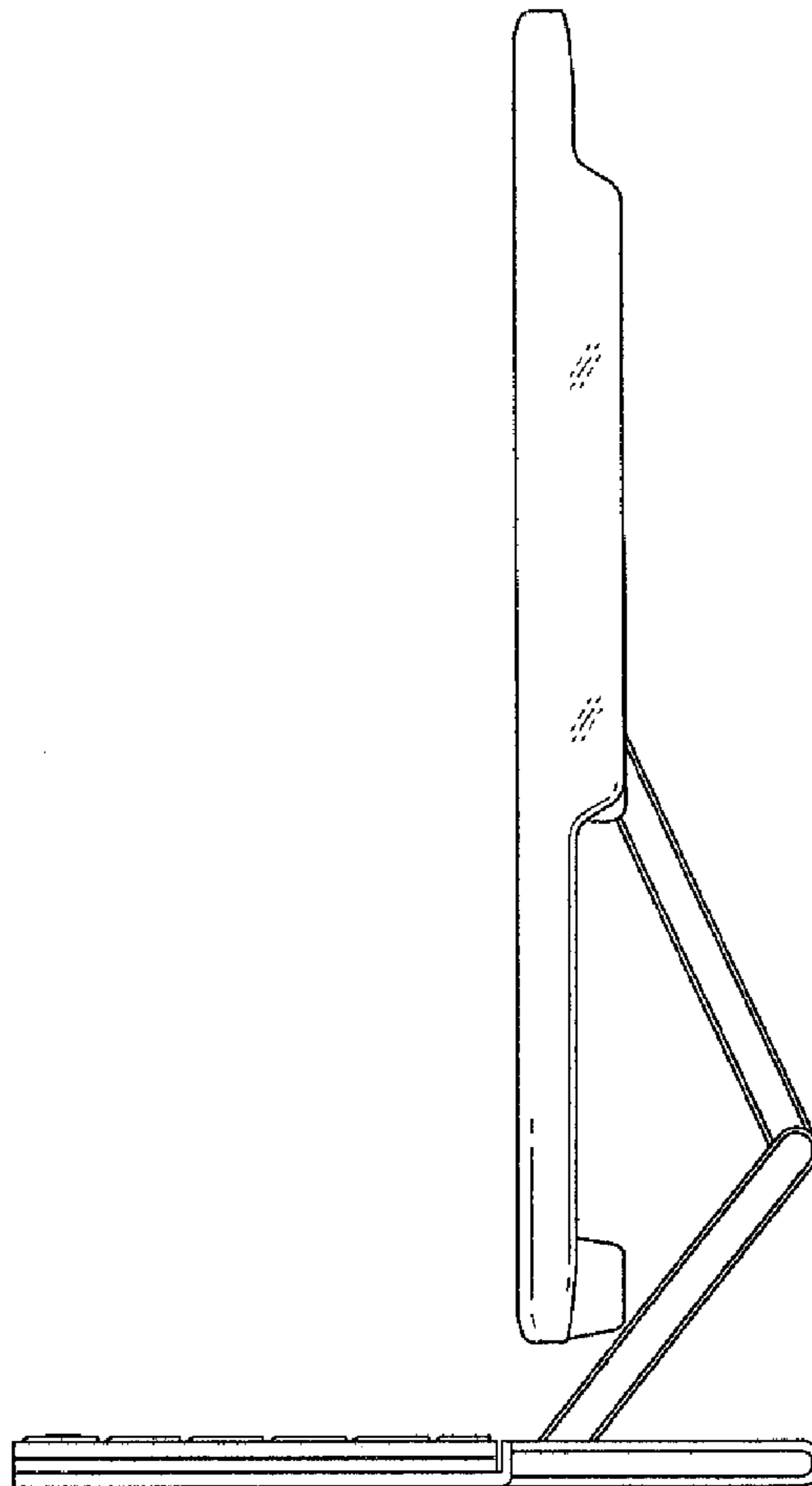


Fig. 4

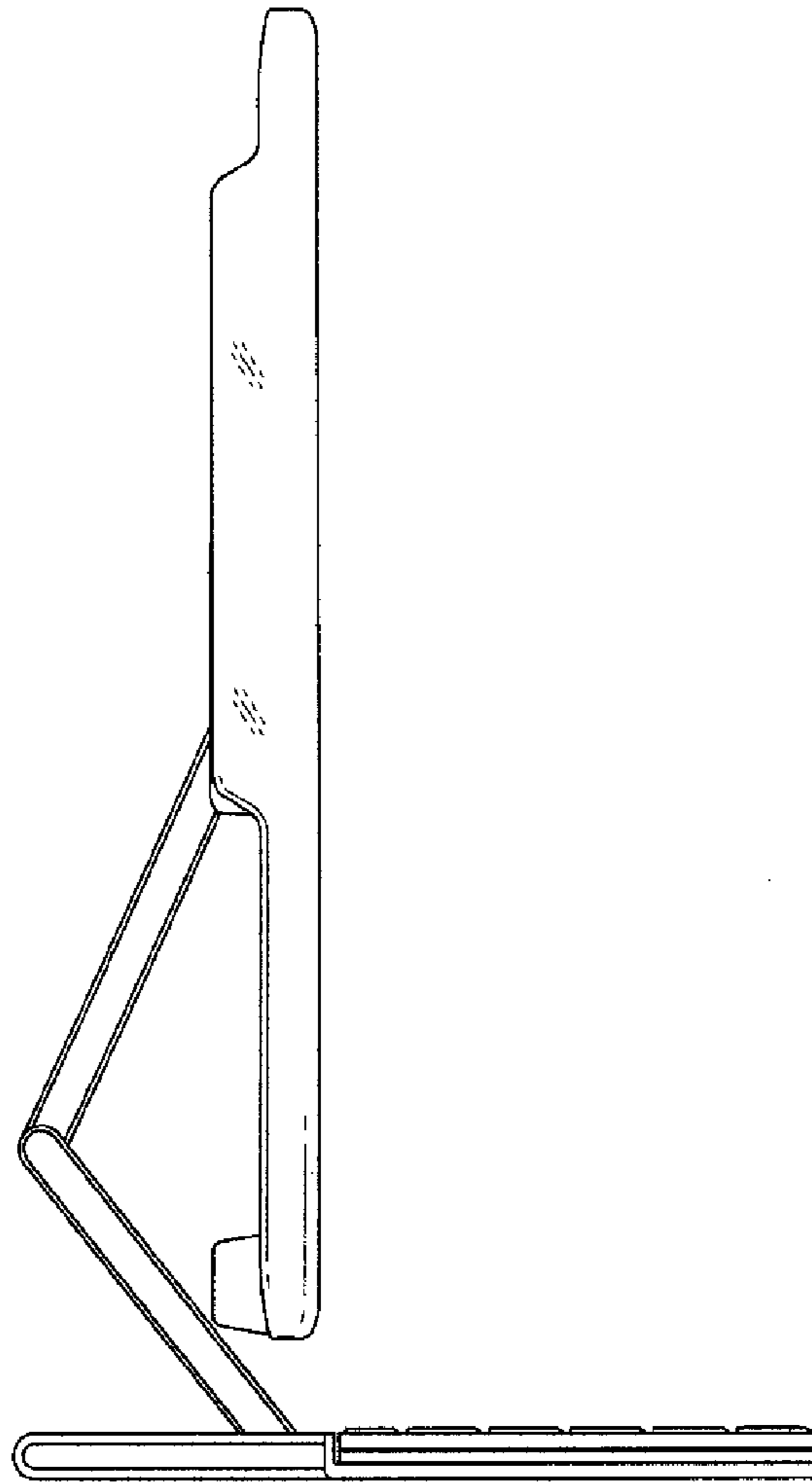


Fig. 5

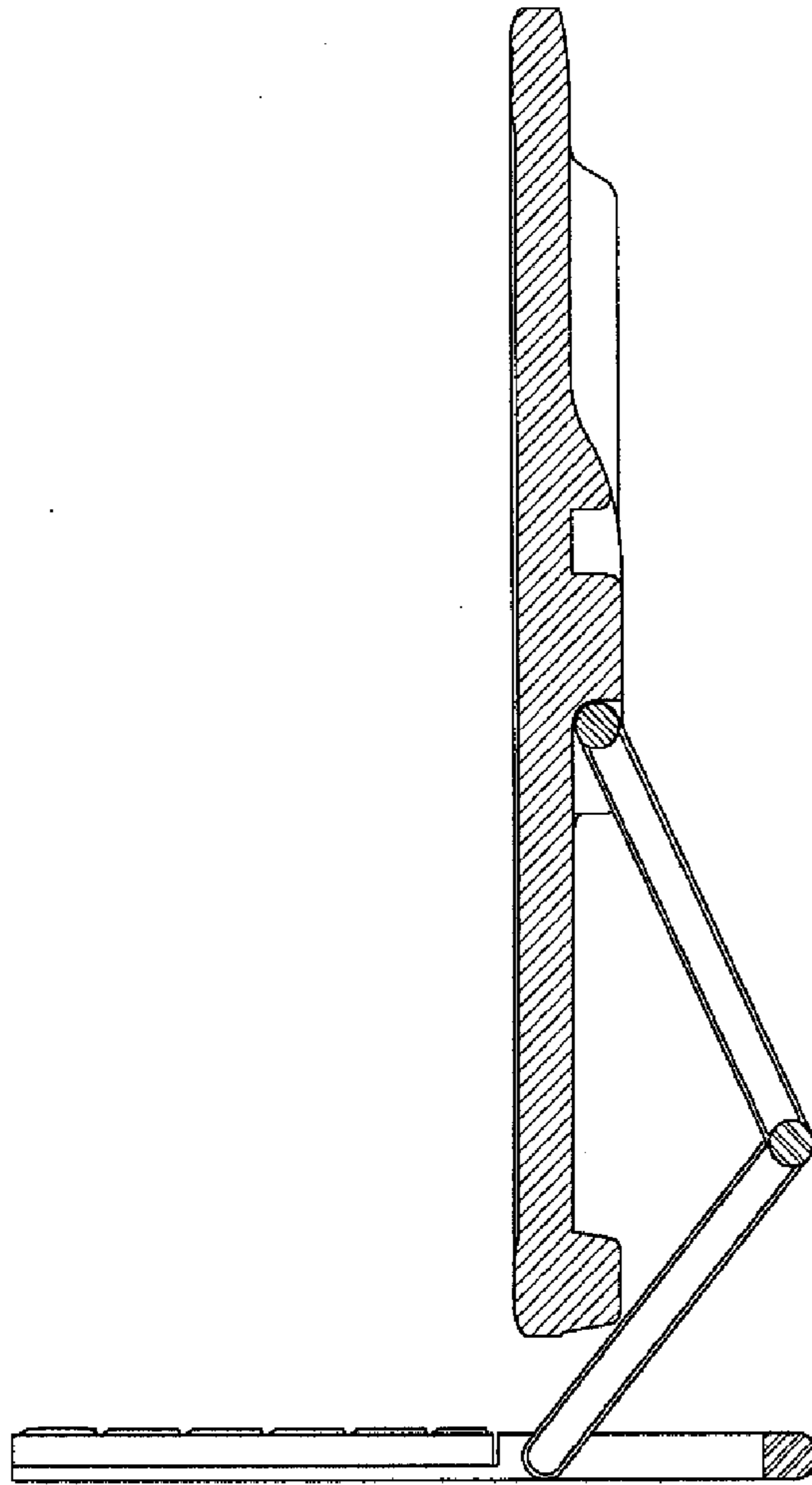


Fig. 6

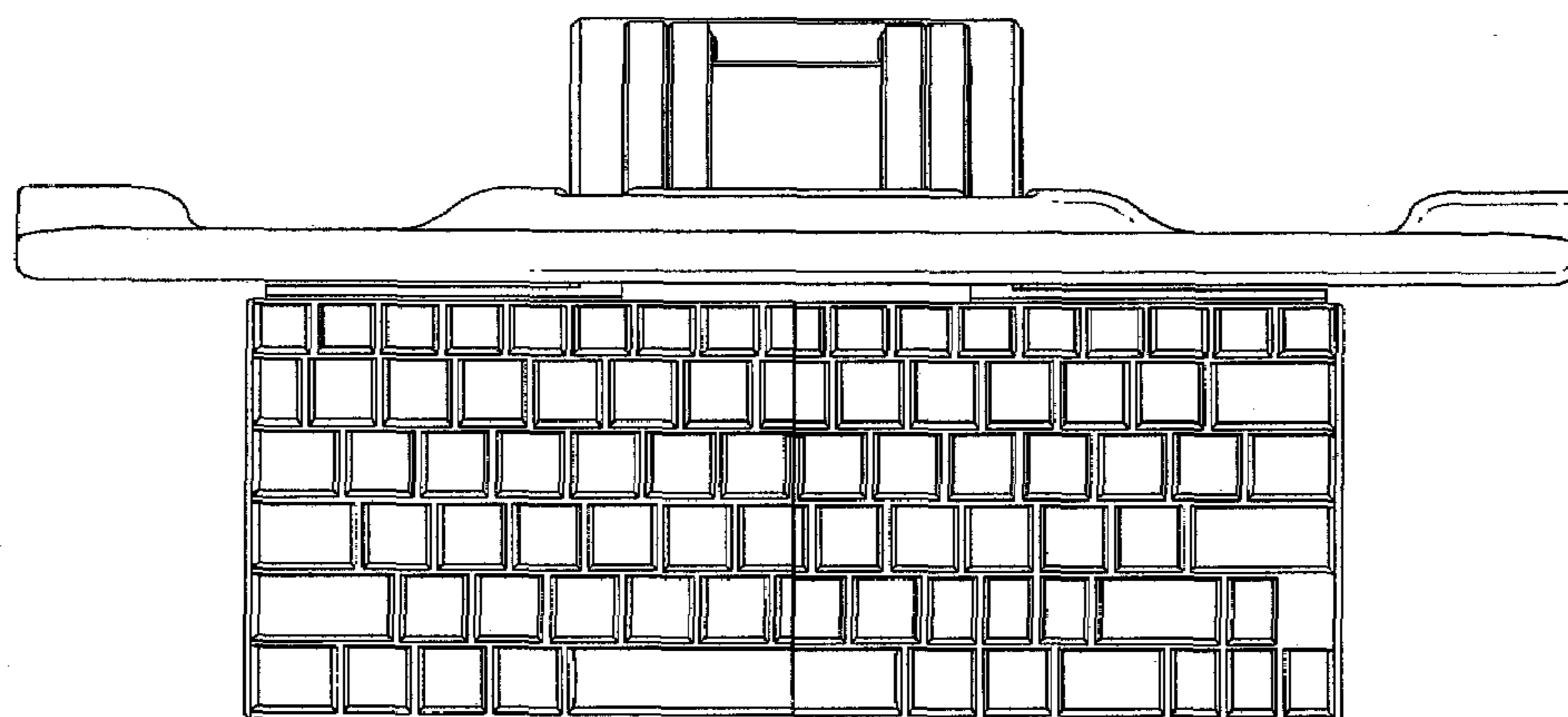


Fig. 7

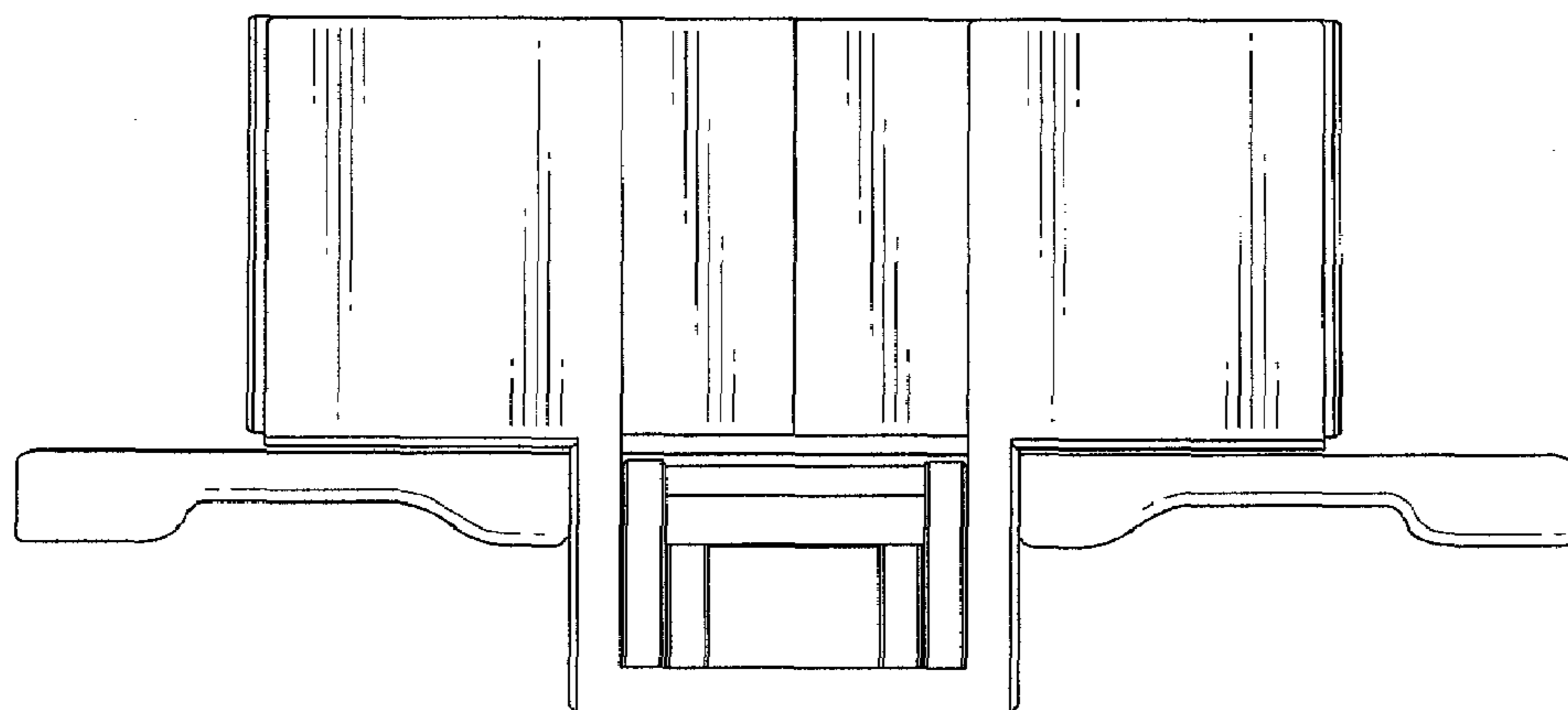


Fig. 8

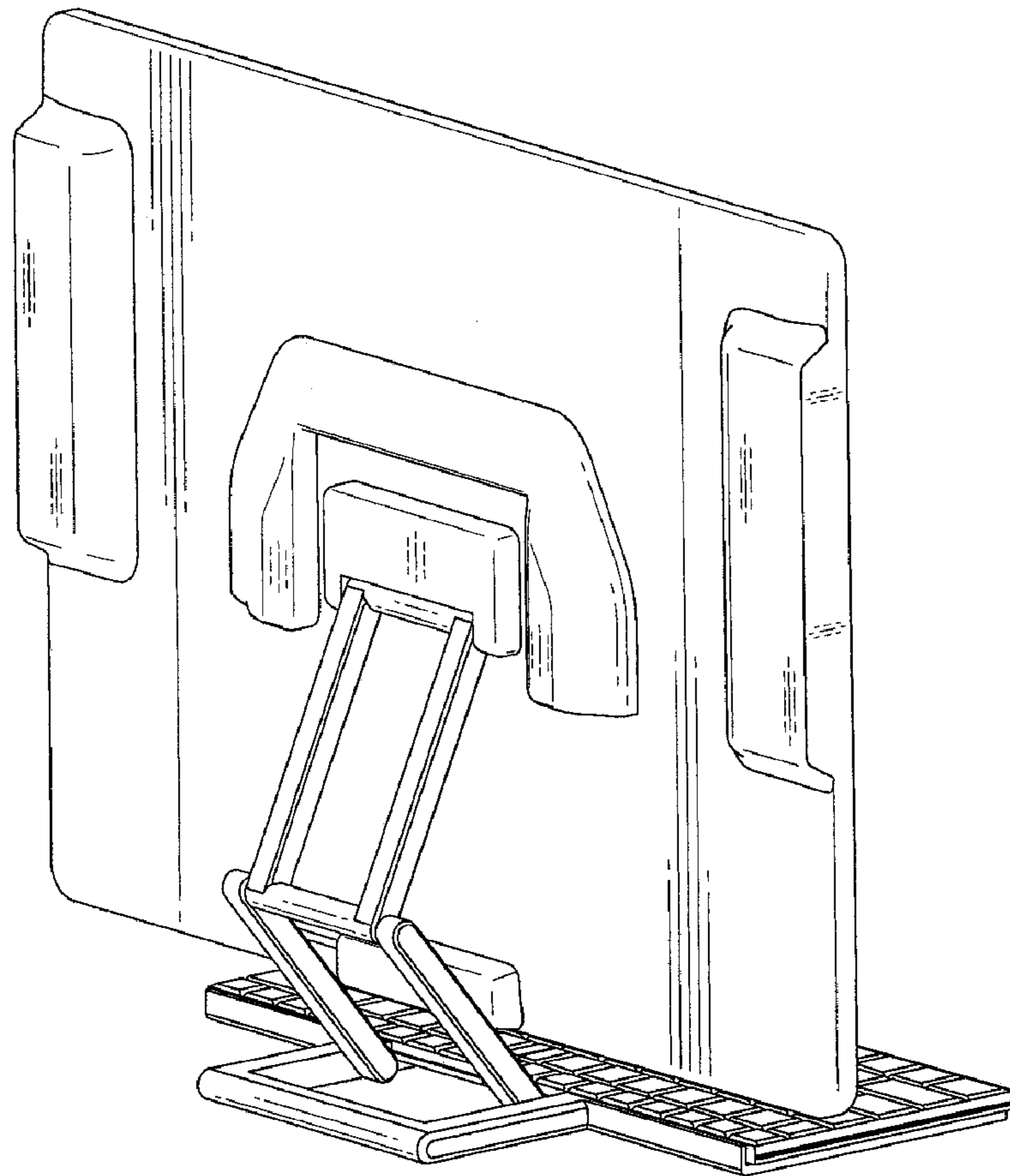


Fig. 9

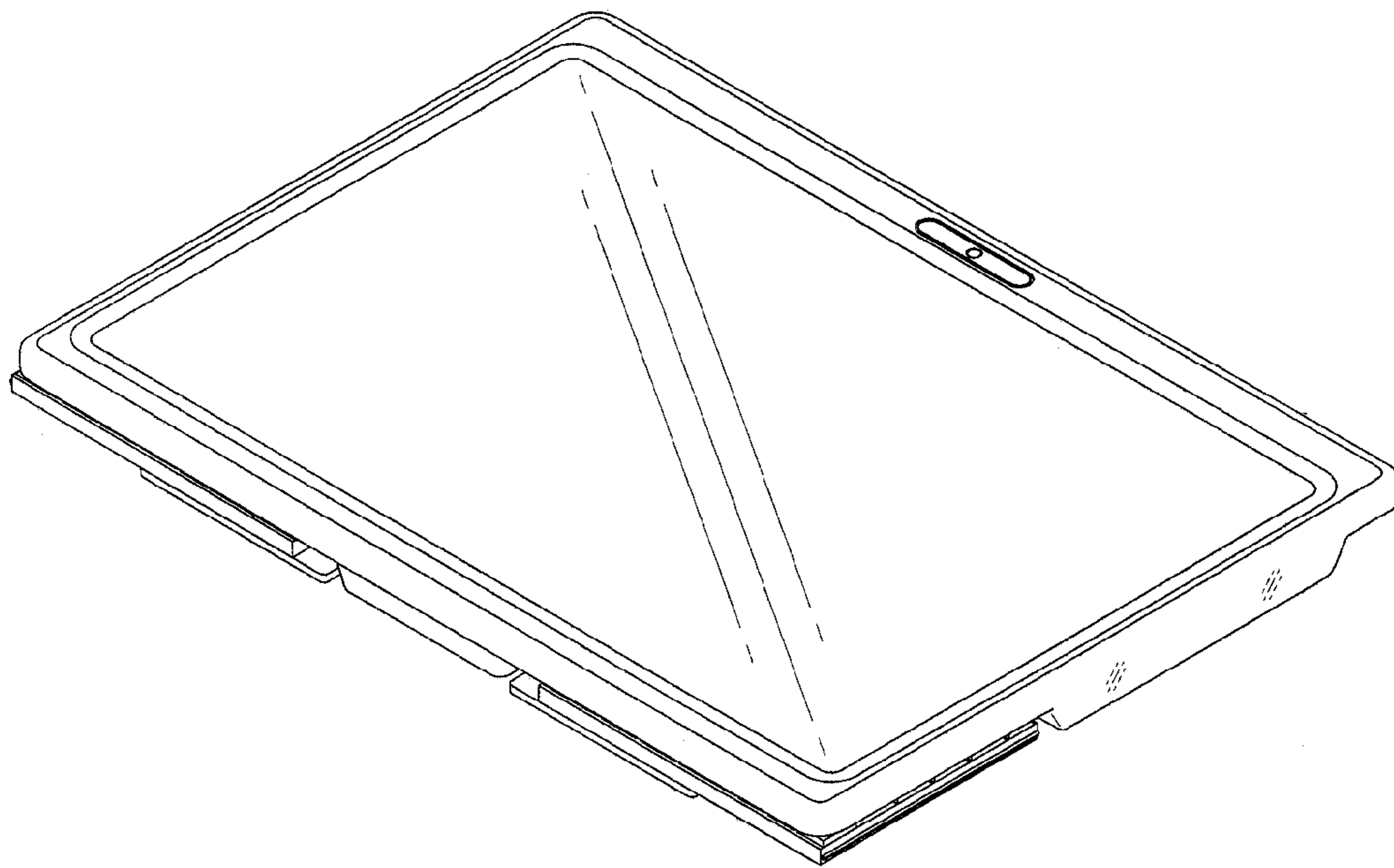


Fig. 10

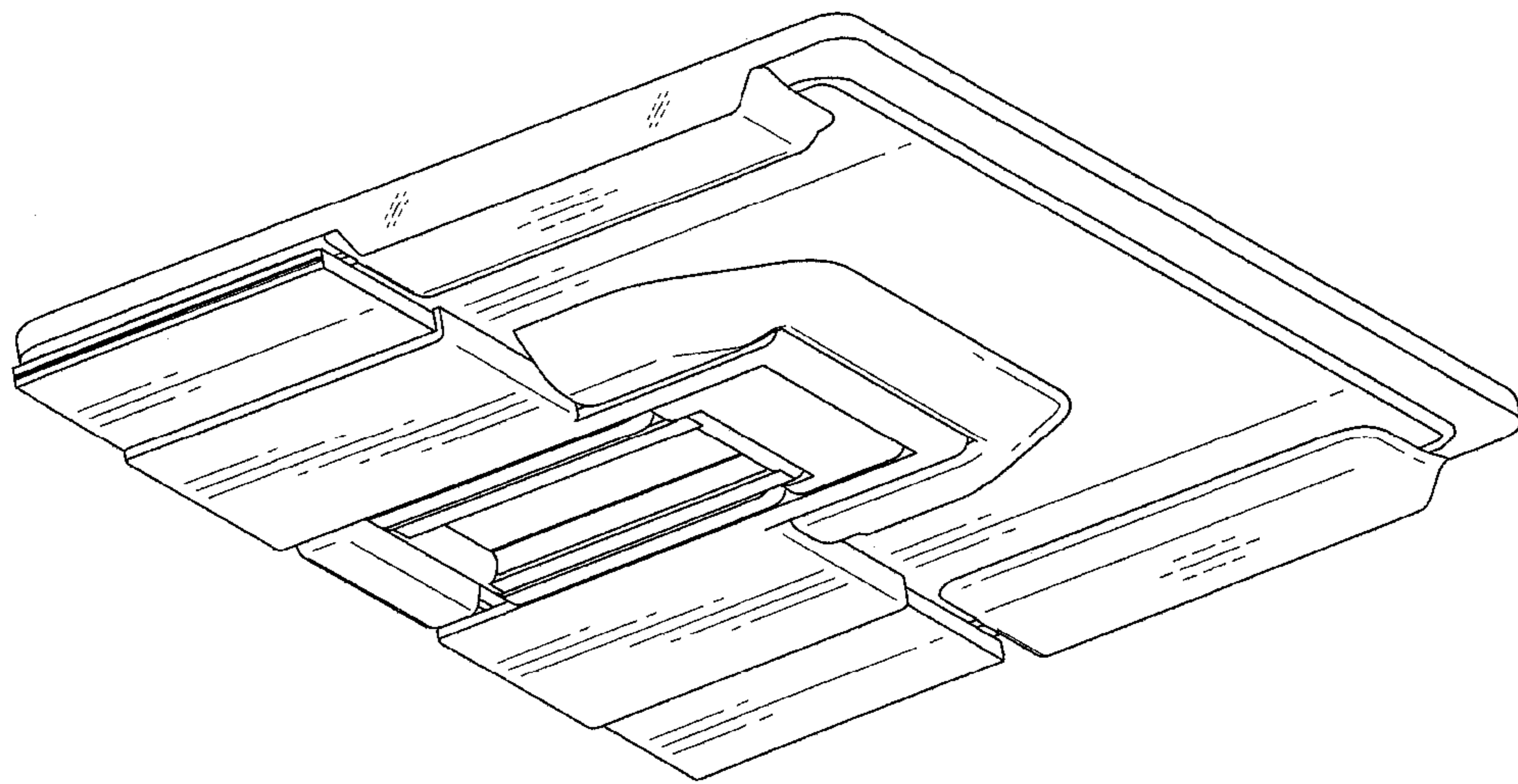


Fig. 11