



US00D599791S

(12) **United States Design Patent**
Kuang et al.

(10) **Patent No.:** **US D599,791 S**

(45) **Date of Patent:** **** Sep. 8, 2009**

(54) **DESKTOP COMPUTER**

(75) Inventors: **Yen Kuang**, Taipei (TW); **Chi-Sheng Yin**, Taipei (TW); **Jeffery Lai**, Taipei (TW); **Yen-De Wu**, Taipei (TW); **Tsai-Feng Hsiang**, Taipei (TW); **Chien-Hung Yeh**, Taipei (TW); **Chen-Han Sung**, Taipei (TW); **Chun-Kai Chiu**, Taipei (TW)

(73) Assignee: **Pegatron Corporation**, Taipei (TW)

(**) Term: **14 Years**

(21) Appl. No.: **29/322,245**

(22) Filed: **Jul. 31, 2008**

(30) **Foreign Application Priority Data**

Jun. 4, 2008 (TW) 97303267

(51) **LOC (9) Cl.** **14-02**

(52) **U.S. Cl.** **D14/314; D14/375**

(58) **Field of Classification Search** D14/371-375,
D14/336, 337, 341, 320, 331, 125-129; 341/12,
341/22; 345/104, 156, 168, 173, 901-905;
348/180, 184, 325, 837; 349/1, 2, 11, 62;
361/679.08

See application file for complete search history.

(56) **References Cited**

U.S. PATENT DOCUMENTS

5,365,230 A * 11/1994 Kikinis 341/22
D355,170 S * 2/1995 Mizusugi et al. D14/336

D466,501 S * 12/2002 Hirota D14/339
D481,726 S * 11/2003 Olson et al. D14/375
D483,364 S * 12/2003 Olson et al. D14/375
D513,001 S * 12/2005 Jiang et al. D14/371
D538,800 S * 3/2007 Zhang et al. D14/331
D559,846 S * 1/2008 Vesco et al. D14/375
D562,319 S * 2/2008 Kwon D14/375
D562,320 S * 2/2008 Kim D14/375
D571,747 S * 6/2008 Chu D14/126

* cited by examiner

Primary Examiner—Freda S Nunn

(74) *Attorney, Agent, or Firm*—Muncy, Geissler, Olds & Lowe, PLLC

(57) **CLAIM**

The ornamental design for a desktop computer, as shown and described.

DESCRIPTION

FIG. 1 is a perspective view of a desktop computer showing our new design;

FIG. 2 is a front elevational view thereof;

FIG. 3 is a rear elevational view thereof;

FIG. 4 is a left side elevational view thereof;

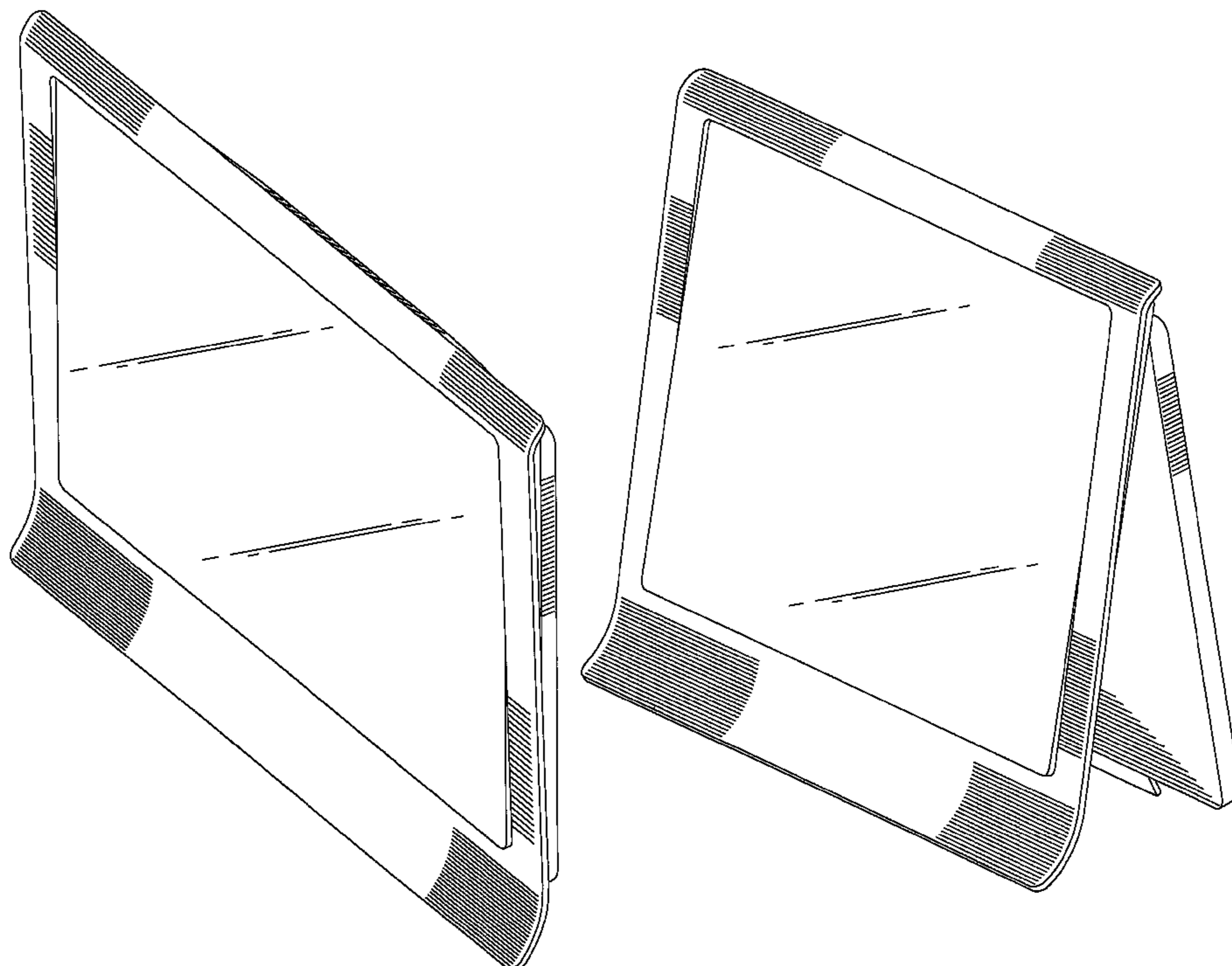
FIG. 5 is a right side elevational view thereof;

FIG. 6 is a top plan view thereof;

FIG. 7 is a bottom plan view thereof; and,

FIG. 8 is a perspective view thereof in the open position.

1 Claim, 6 Drawing Sheets



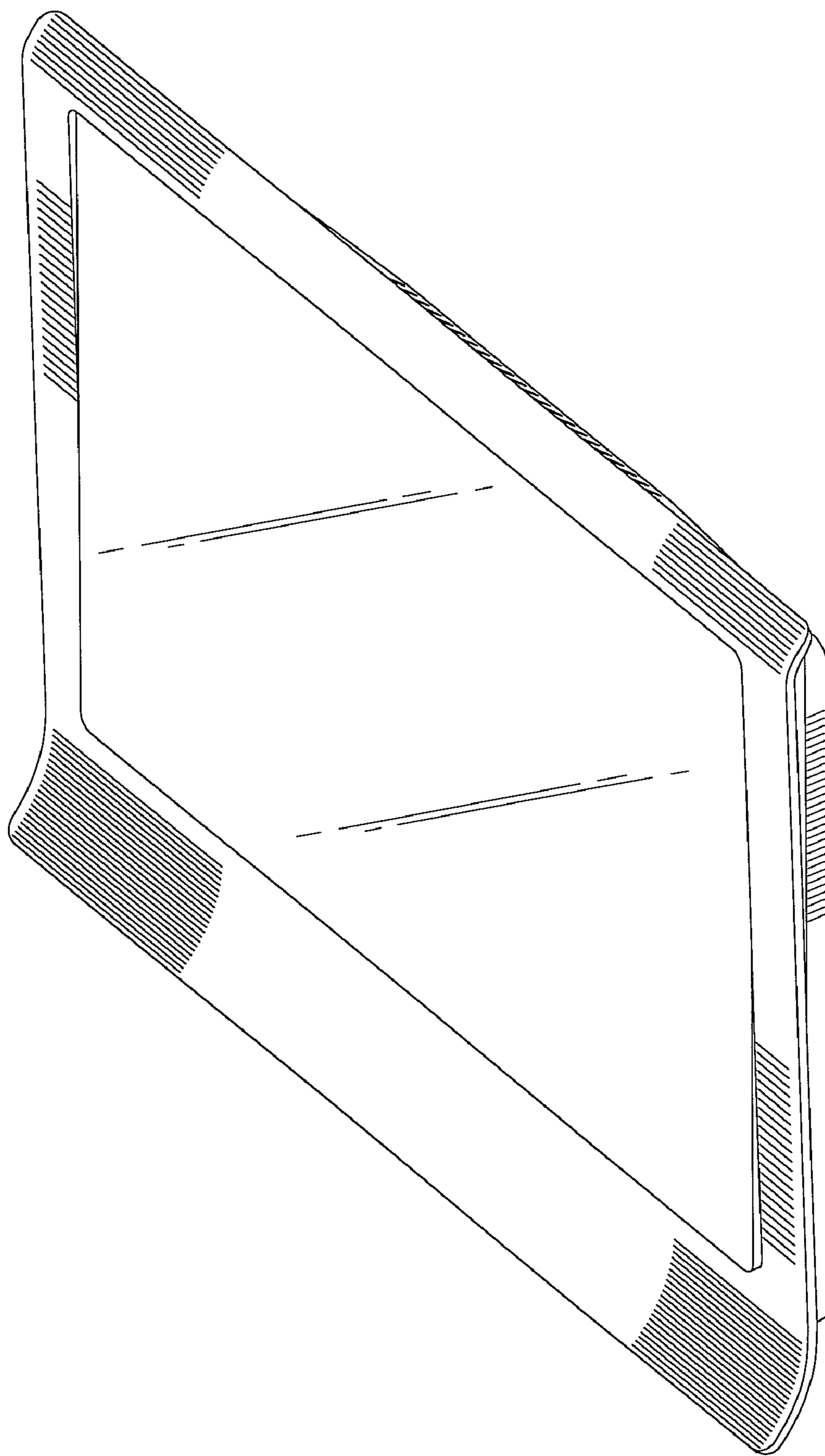


FIG. 1

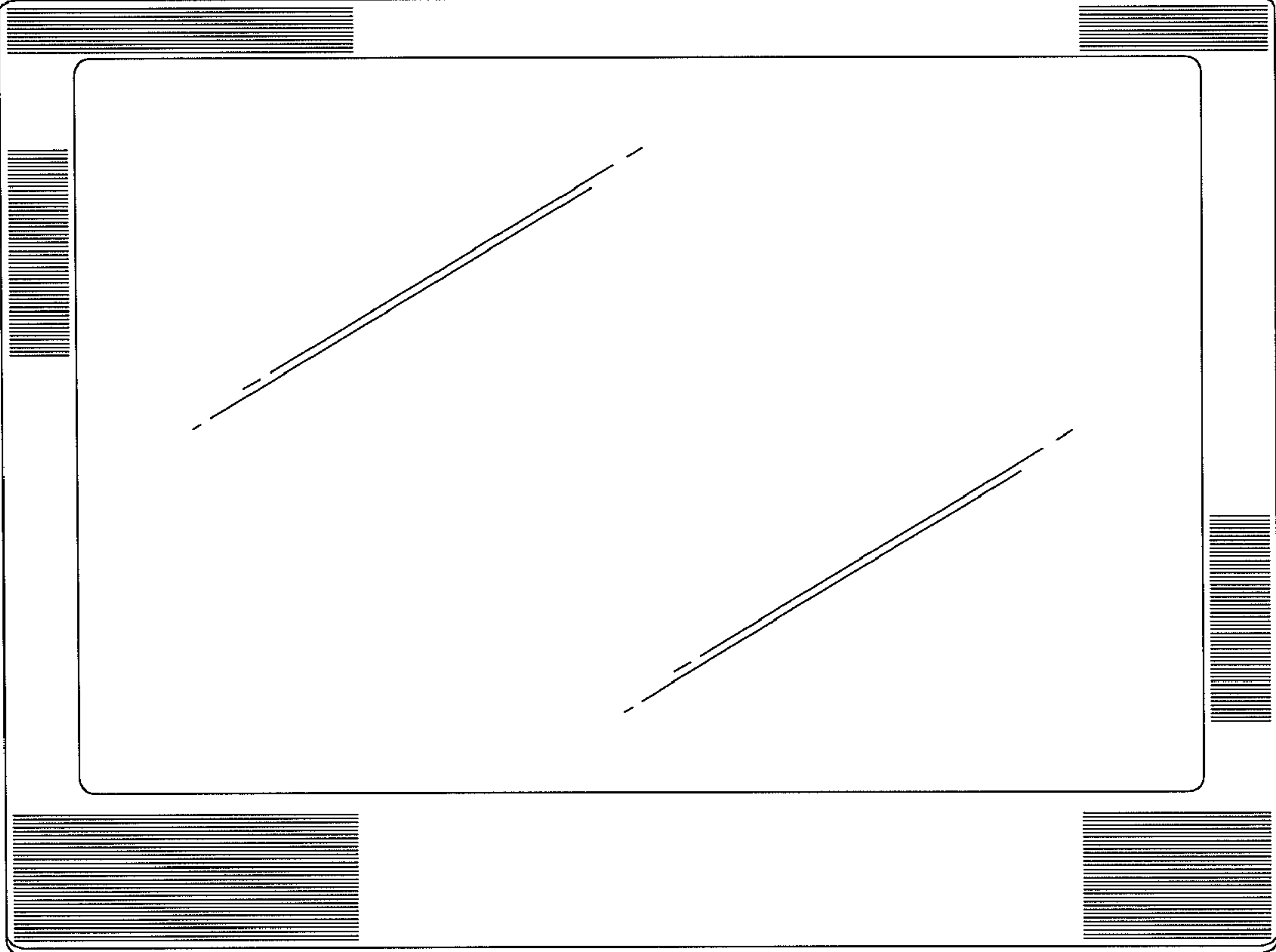


FIG. 2

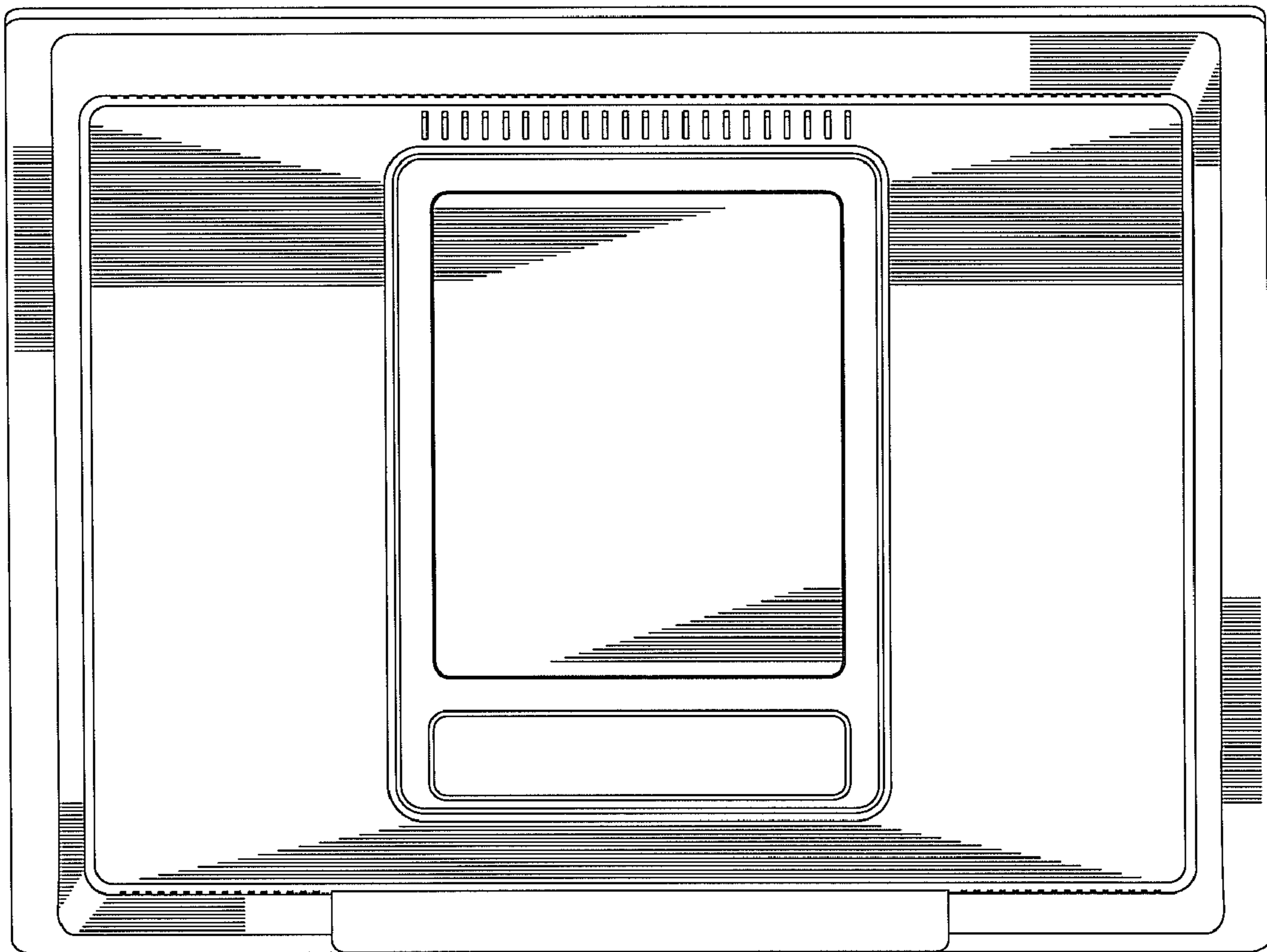


FIG. 3

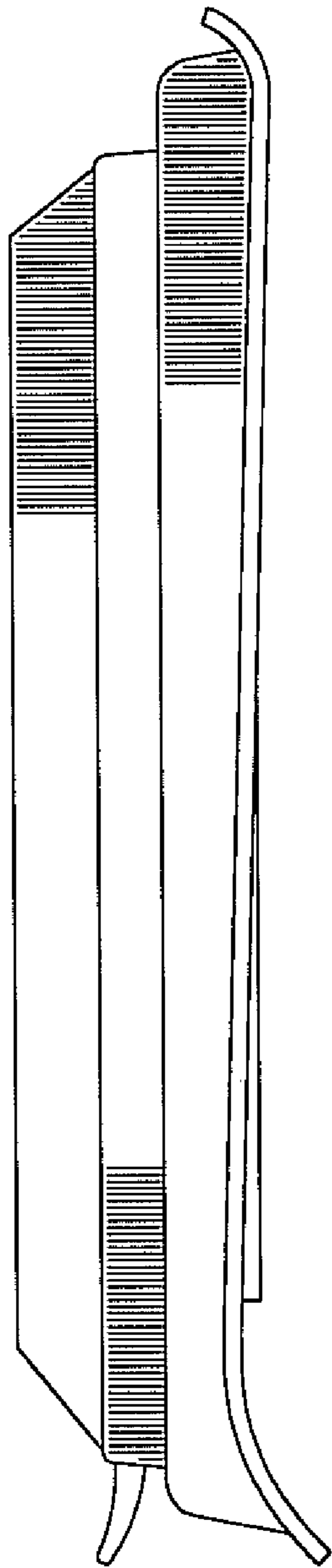


FIG. 4

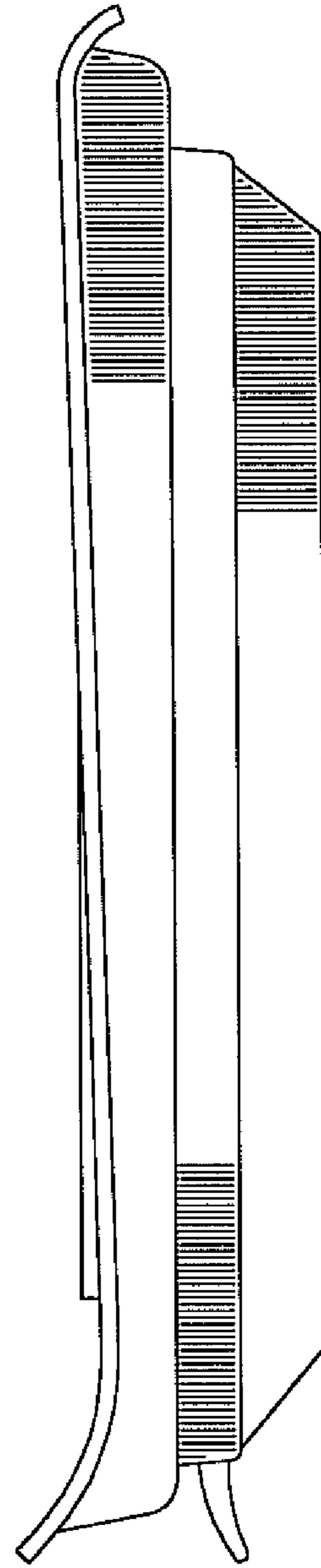


FIG. 5

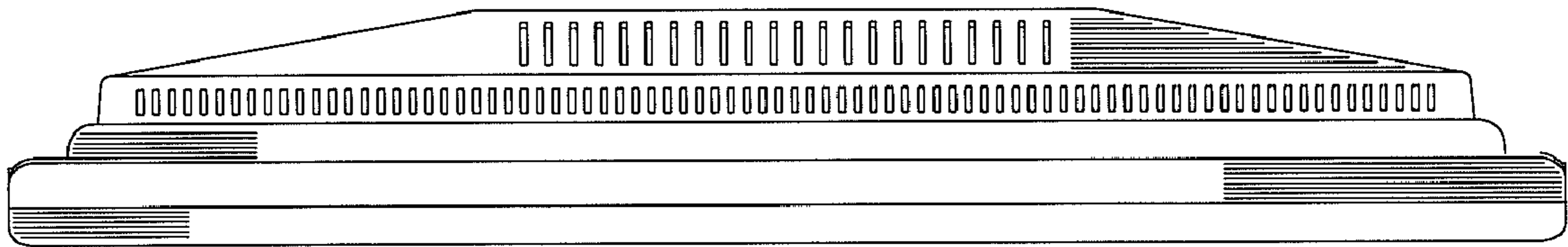


FIG. 6

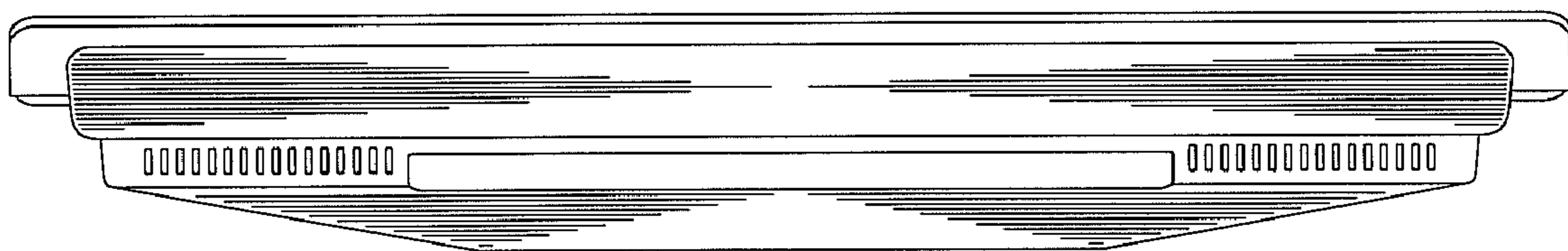


FIG. 7

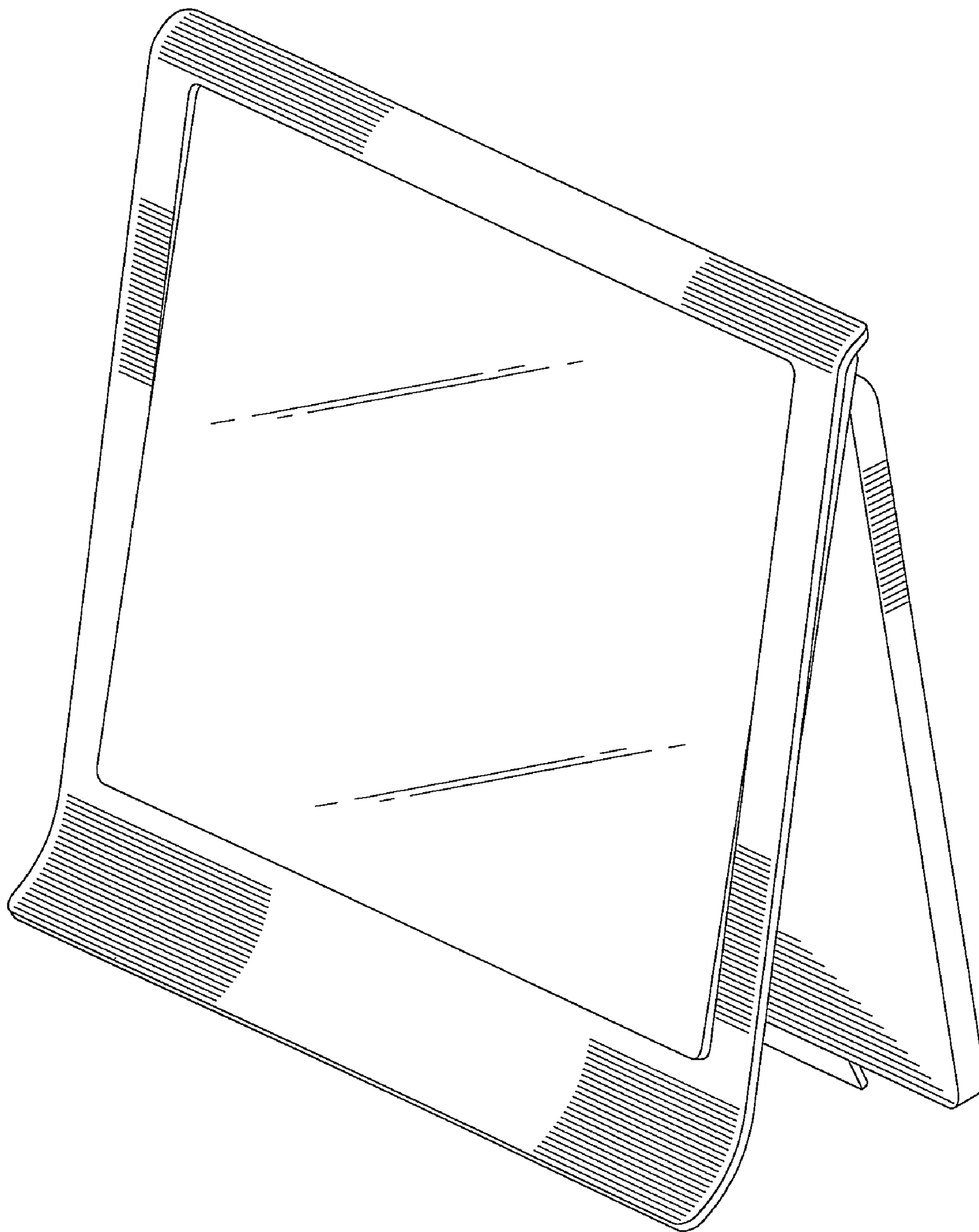


FIG. 8