

US00D599789S

(12) **United States Design Patent**
Shimizu

(10) **Patent No.:** **US D599,789 S**

(45) **Date of Patent:** **** Sep. 8, 2009**

(54) **DIGITAL AUDIO PLAYER**

(75) Inventor: **Akari Shimizu**, Shinjuku-ku (JP)

(73) Assignee: **Clarion Co., Ltd.**, Tokyo (JP)

(**) Term: **14 Years**

(21) Appl. No.: **29/329,970**

(22) Filed: **Dec. 24, 2008**

(51) **LOC (9) Cl.** **14-01**

(52) **U.S. Cl.** **D14/257**

(58) **Field of Classification Search** D14/440-446,
D14/496, 498-505, 137, 157, 167-168, 188,
D14/197-198, 257-258; 360/99.02, 99.07;
369/75.11, 75.21, 77.11, 77.21; 720/601,
720/612, 619, 649, 655; 455/344, 347-351
See application file for complete search history.

(56) **References Cited**

U.S. PATENT DOCUMENTS

- D304,194 S * 10/1989 Fuller et al. D14/257
- D338,198 S * 8/1993 Ogasawara D14/502
- D366,048 S * 1/1996 Tokiyama et al. D14/258

- D371,783 S * 7/1996 Ito et al. D14/505
- 5,852,594 A * 12/1998 Kaise et al. 360/99.02
- D464,044 S * 10/2002 Wang et al. D14/240
- D561,140 S * 2/2008 Hatori D14/505
- D563,952 S * 3/2008 Yamamoto et al. D14/258

* cited by examiner

Primary Examiner—Nanda Bondade
(74) *Attorney, Agent, or Firm*—Oliff & Berridge, PLC

(57) **CLAIM**

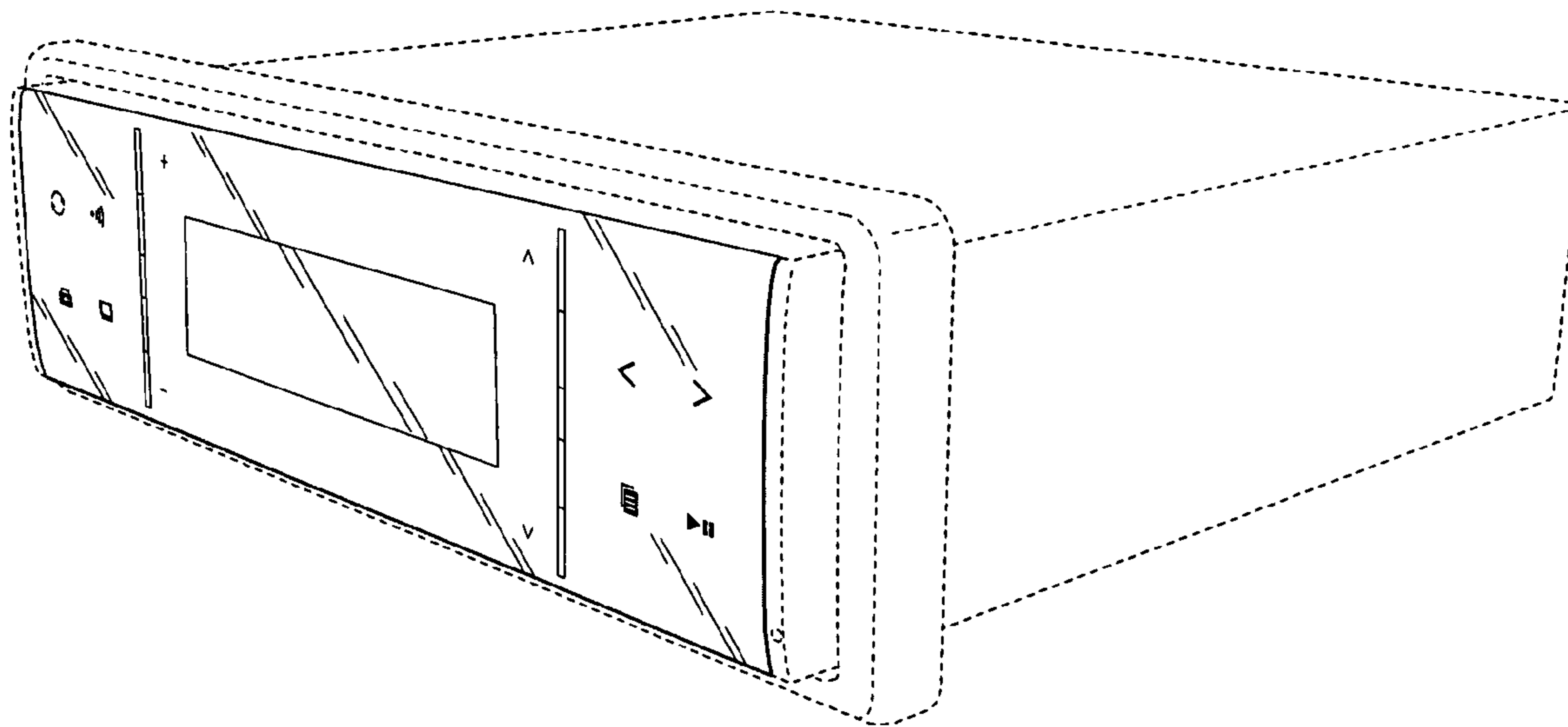
The ornamental design for a digital audio player, as shown and described.

DESCRIPTION

FIG. 1 is a perspective view of a digital audio player;
FIG. 2 is a front view thereof;
FIG. 3 is a top view thereof; and,
FIG. 4 is a bottom view thereof.

The broken lines depict environmental subject matter only and form no part of the claimed design.

1 Claim, 4 Drawing Sheets



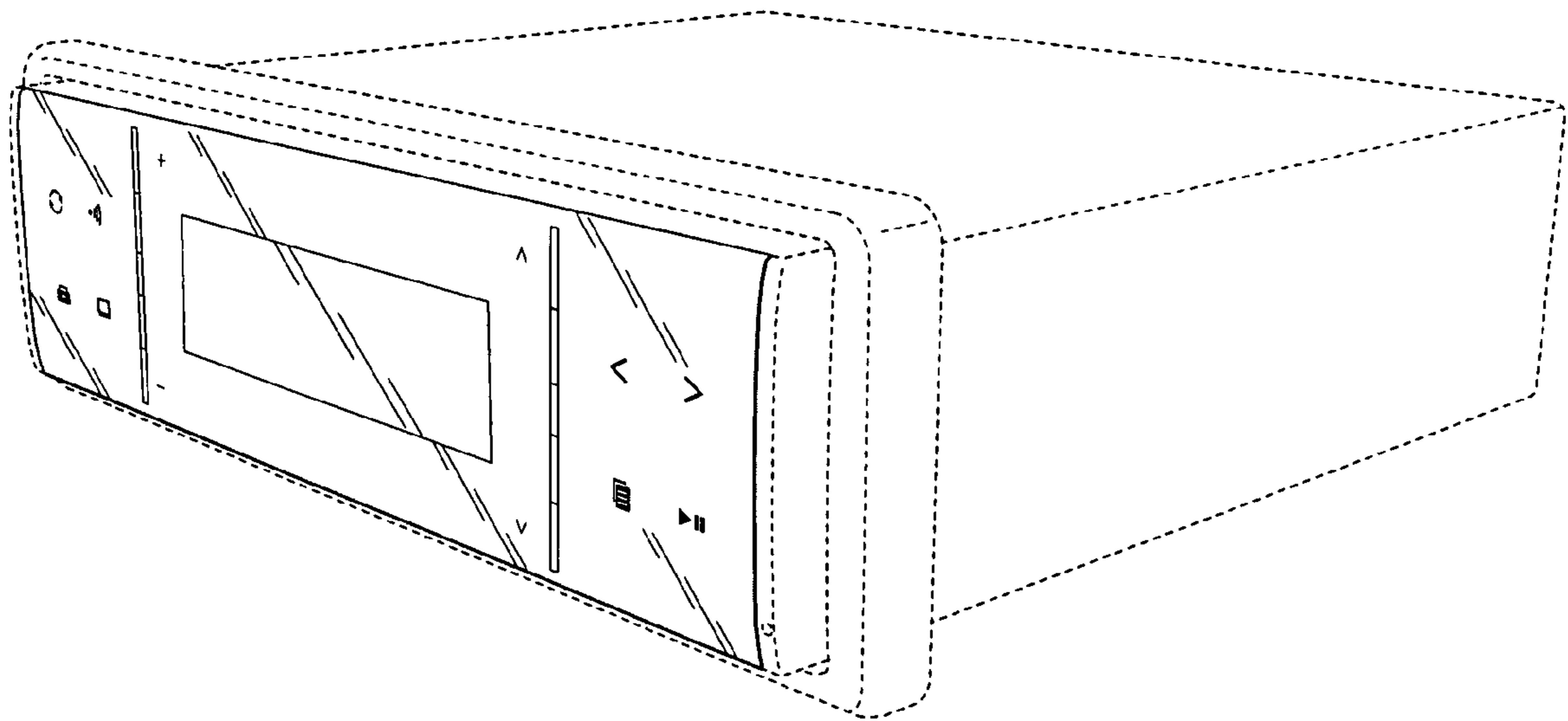


FIG.1

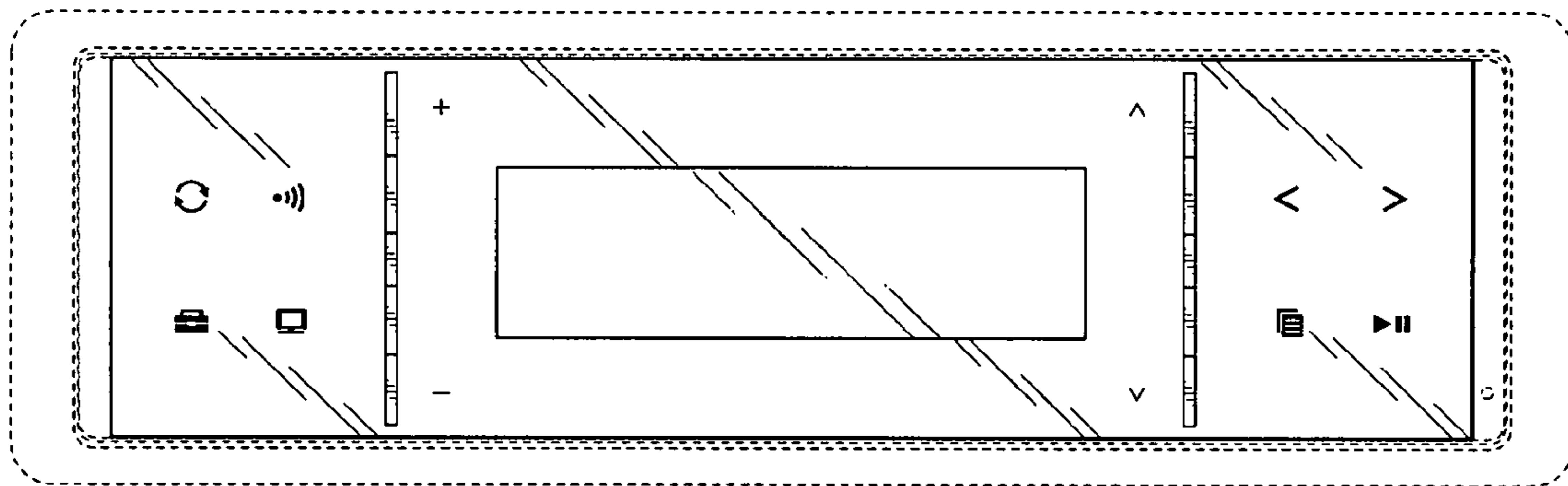


FIG. 2

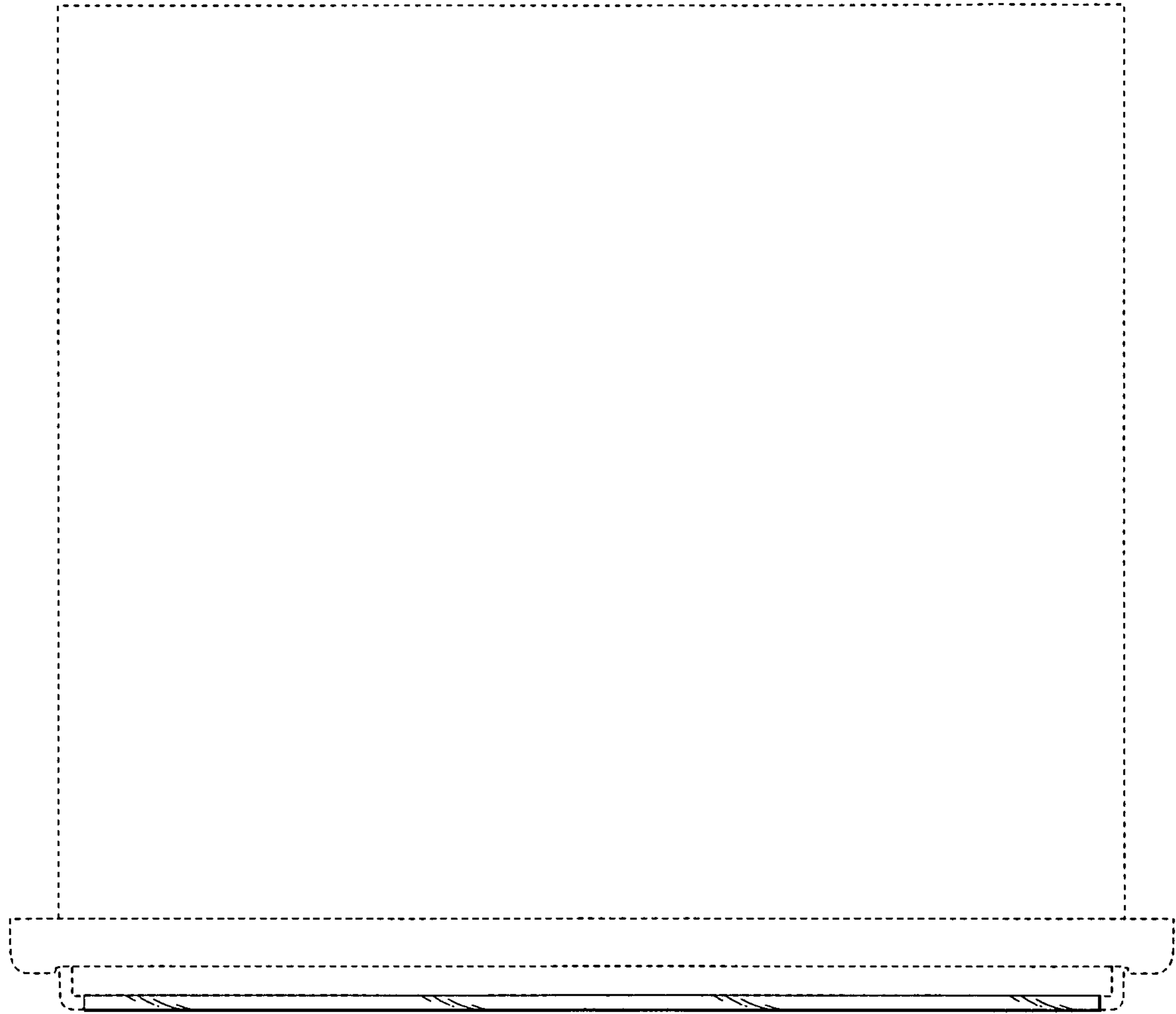


FIG. 3

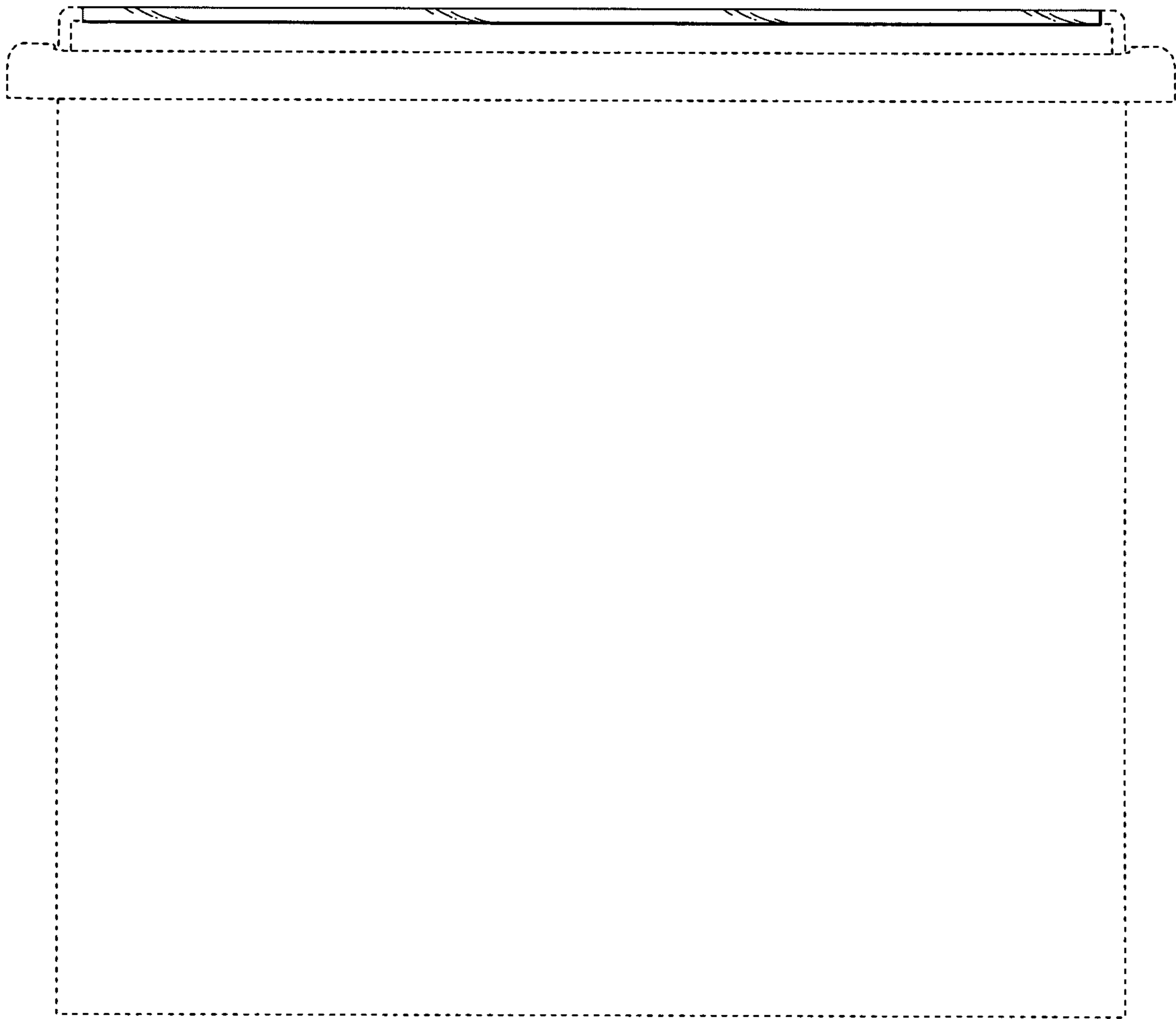


FIG.4