



US00D599788S

(12) **United States Design Patent**  
**Nuovo**

(10) **Patent No.:** **US D599,788 S**  
(45) **Date of Patent:** **\*\* Sep. 8, 2009**

- (54) **REAR PANEL FOR A HANDSET**
- (75) Inventor: **Frank Nuovo**, Los Angeles, CA (US)
- (73) Assignee: **Nokia Corporation**, Espoo (FI)
- (\*\*) Term: **14 Years**
- (21) Appl. No.: **29/317,465**
- (22) Filed: **Apr. 30, 2008**
- (51) **LOC (9) Cl.** ..... **14-03**
- (52) **U.S. Cl.** ..... **D14/248**
- (58) **Field of Classification Search** ..... D14/137,  
D14/138 AA, 138 AB, 138 AC, 138 AD,  
D14/138 C, 138 G, 138 R, 147-148, 156,  
D14/218, 247-248, 341-347, 390, 399, 455-456,  
D14/496, 172, 188, 191, 192, 194, 207, 209.1,  
D14/214, 219, 225; D16/208, 217, 218,  
D16/219; D21/329, 331, 333, 517; 348/14.01-14.02;  
361/814; 379/433.01-433.13; 455/90.3,  
455/556.1-556.2, 566, 575.1, 575.3, 575.4;  
D13/164, 168, 108; 439/165; 343/702; 345/167,  
345/168, 169; D5/24, 32, 45, 47, 54, 56,  
D5/57, 59-61, 63, 99  
See application file for complete search history.

- D474,612 S \* 5/2003 Wessblad et al. .... D5/32
- D494,946 S \* 8/2004 Rausch et al. .... D14/138 AB
- D561,717 S \* 2/2008 Park et al. .... D14/138 AB
- D581,895 S \* 12/2008 Oh et al. .... D14/138 AB
- D583,788 S \* 12/2008 Hong et al. .... D14/138 AB
- D592,201 S \* 5/2009 Shi ..... D14/248

\* cited by examiner

*Primary Examiner*—Ian Simmons  
*Assistant Examiner*—Carla Jobe Wright  
(74) *Attorney, Agent, or Firm*—Banner & Witcoff, Ltd.

(57) **CLAIM**

The ornamental design for a rear panel for a handset, as shown and described.

**DESCRIPTION**

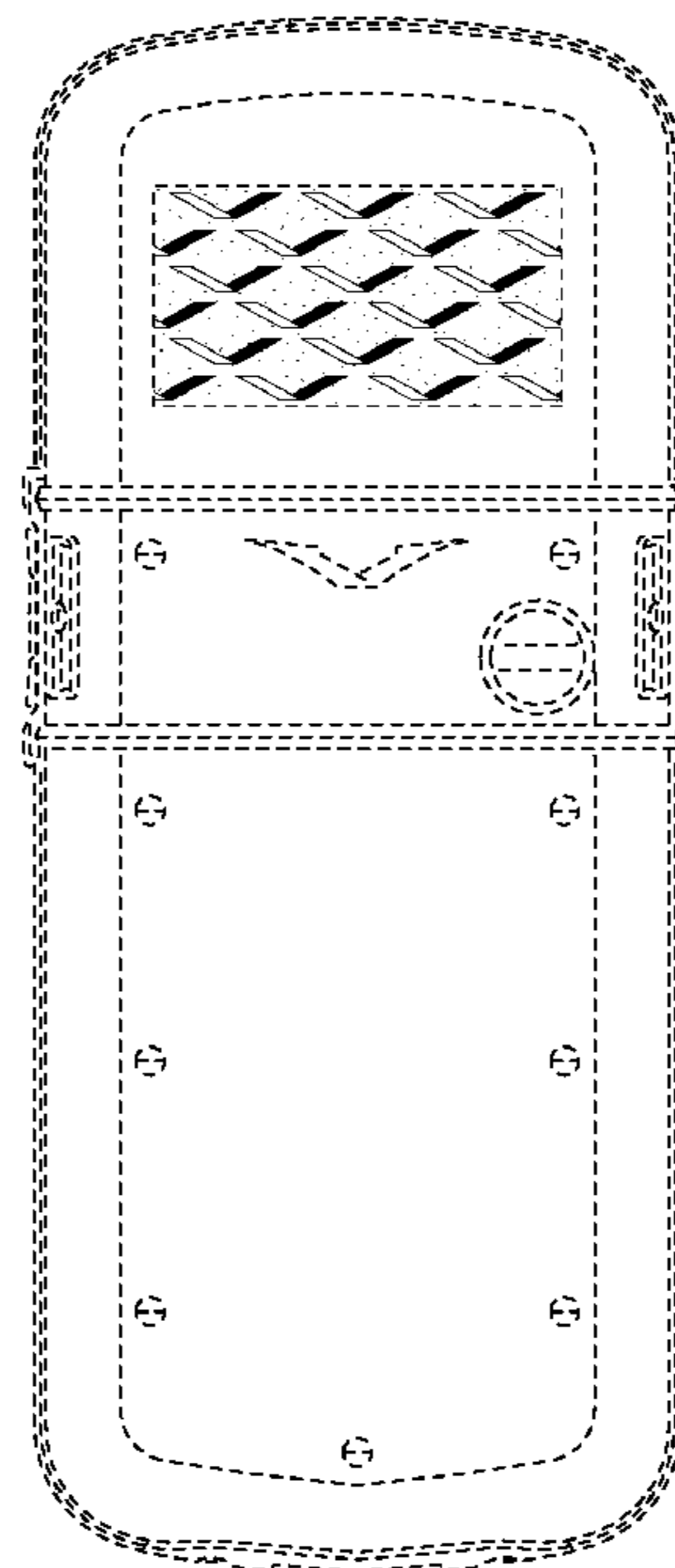
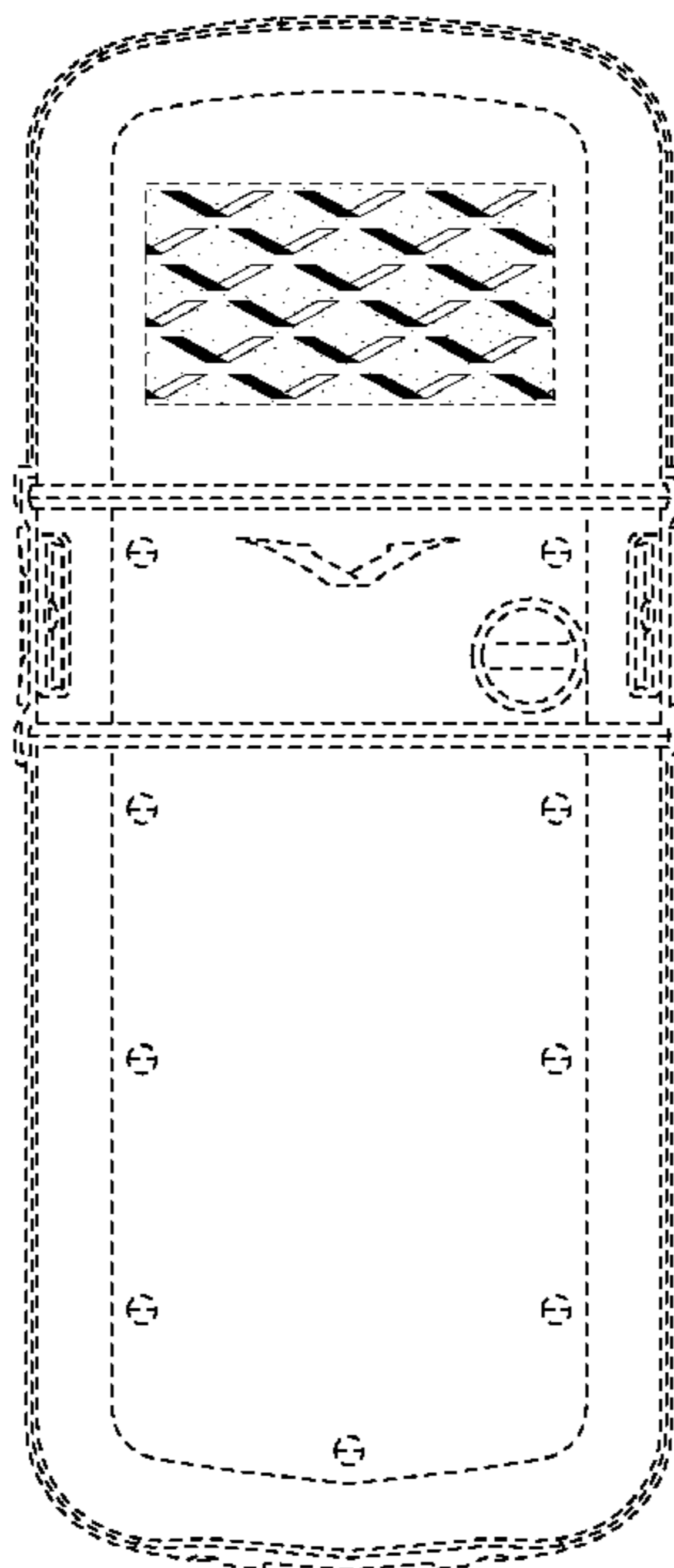
FIG. 1 is a front perspective view of first embodiment of a rear panel for a handset showing my new design;  
FIG. 2 is a front view thereof;  
FIG. 3 is a front perspective view of a second embodiment of a rear panel for a handset; and,  
FIG. 4 is a front view thereof.

The depicted location and orientation of each of the two embodiments of the claimed portion of the rear panel (shown in solid lines) relative to the boundary of the unclaimed portion of the rear panel (shown in broken lines) is for illustrative purposes only and forms no part of the claimed design. The broken line immediately adjacent to the portion of the rear panel shown in solid lines represents an unclaimed portion of the boundary of the design. The broken line showing of the remainder of the handset is for illustrative purposes only and forms no part of the claimed design.

**1 Claim, 4 Drawing Sheets**

(56) **References Cited**  
U.S. PATENT DOCUMENTS

- D121,033 S \* 6/1940 Bixer ..... D5/60
- D173,042 S \* 9/1954 Sadinoff ..... D5/24
- D181,432 S \* 11/1957 Murray ..... D25/157
- 2,834,809 A \* 5/1958 Schutte et al. .... 162/117
- D375,844 S \* 11/1996 Edwards et al. .... D5/47
- D422,151 S \* 4/2000 Hwang et al. .... D5/59
- D438,355 S \* 2/2001 Tintelnot ..... D32/40



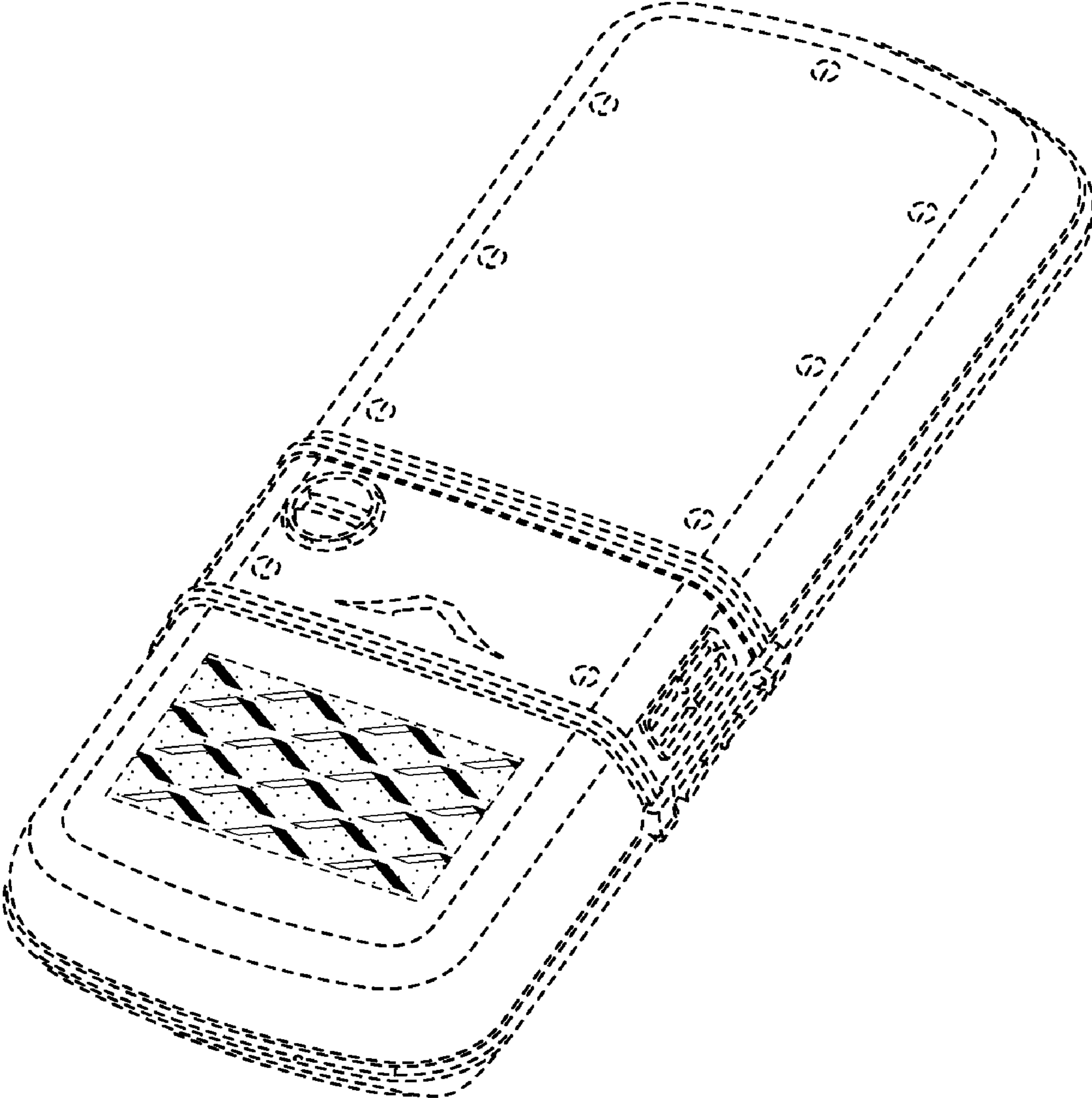


FIG. 1

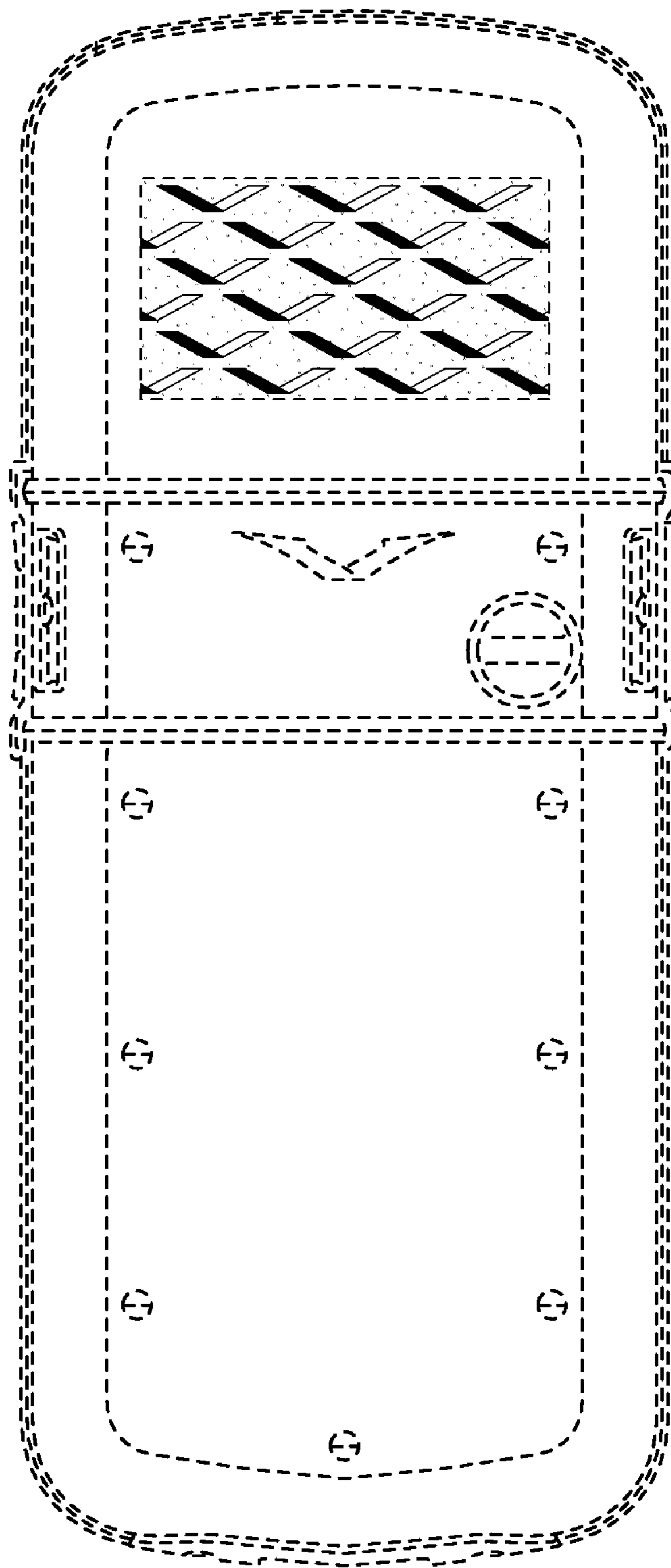


FIG. 2

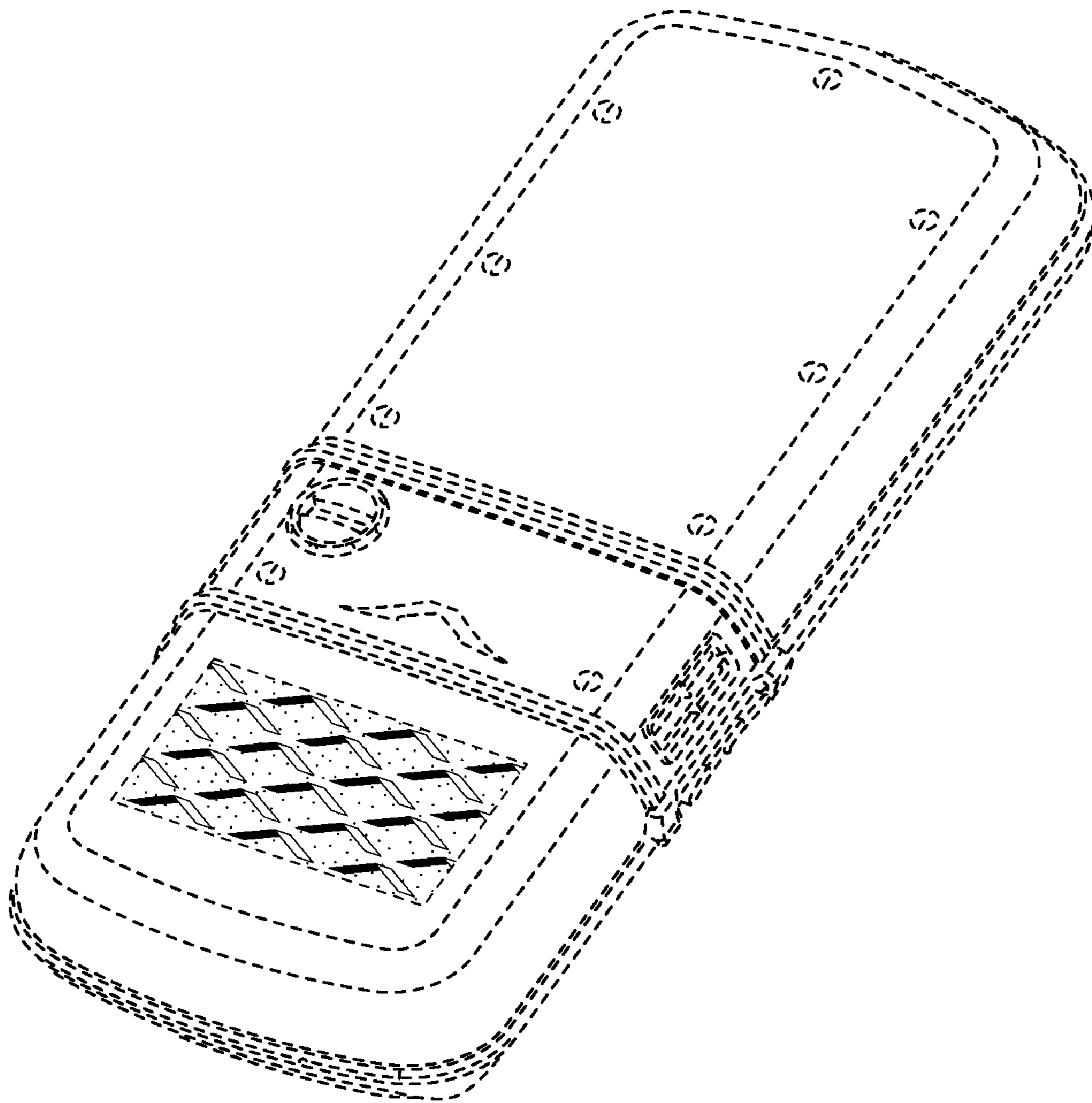


FIG. 3

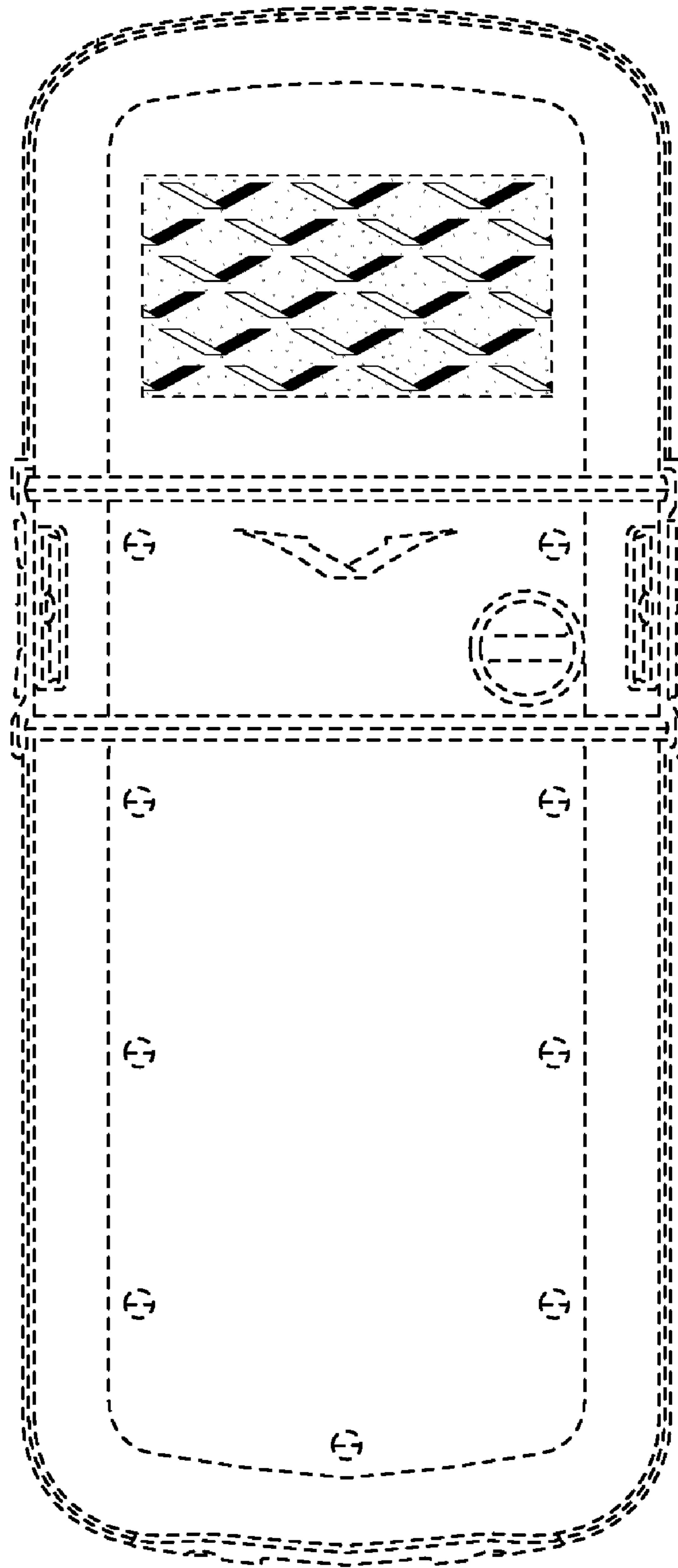


FIG. 4