



US00D599786S

(12) **United States Design Patent**  
**Metlen et al.**

(10) **Patent No.:** **US D599,786 S**  
(45) **Date of Patent:** **\*\* Sep. 8, 2009**

(54) **IN-LINE SIGNAL PROCESSOR**

(75) Inventors: **Todd Metlen**, Ojai, CA (US); **Eli Probst**, Thousand Oaks, CA (US)

(73) Assignee: **Baltic Latvian Universal Electronics, LLC**, Westlake Village, CA (US)

(\*\*) Term: **14 Years**

(21) Appl. No.: **29/325,292**

(22) Filed: **Sep. 29, 2008**

(51) **LOC (9) Cl.** ..... **14-01**

(52) **U.S. Cl.** ..... **D14/225; D14/229**

(58) **Field of Classification Search** ..... D14/225,  
D14/226, 229, 155, 138 AB; D16/132; D21/332;  
D10/104; D13/103, 158; 455/95, 117, 129;  
181/148; 381/91, 92, 122, 181, 189, 359,  
381/355, 361, 362, 363, 364

See application file for complete search history.

(56) **References Cited**

**U.S. PATENT DOCUMENTS**

- D51,250 S \* 9/1917 Borggrafe ..... D14/299
- 2,131,593 A \* 9/1938 Marshall ..... 181/148
- D182,820 S \* 5/1958 Kamp ..... D14/225
- 2,910,539 A \* 10/1959 Hartsfield ..... 381/174
- 3,134,075 A \* 5/1964 Langevin ..... 455/97
- 3,201,530 A \* 8/1965 Levy et al. .... 381/91
- D210,209 S \* 2/1968 Fischer ..... D13/199
- D218,102 S \* 7/1970 Schwartz ..... D13/168
- 3,564,416 A \* 2/1971 Price ..... 455/95
- D233,669 S \* 11/1974 Plice ..... D14/228
- D239,451 S \* 4/1976 Scott ..... D14/299
- D244,700 S \* 6/1977 Pulos et al. .... D14/225
- D245,776 S \* 9/1977 Dellar ..... D14/225
- D246,240 S \* 11/1977 Hansen ..... D13/103
- D246,781 S \* 12/1977 Krolopp ..... D14/225
- 4,910,795 A \* 3/1990 McCowen et al. .... 455/95
- 5,020,149 A \* 5/1991 Hemmie ..... 455/325
- D348,433 S \* 7/1994 Tochiara et al. .... D13/158

- D356,571 S \* 3/1995 Garmon et al. .... D14/225
- D413,858 S \* 9/1999 Murakami et al. .... D13/103
- D420,982 S \* 2/2000 Yuyama ..... D13/158
- D431,817 S \* 10/2000 Yuyama et al. .... D14/227
- D438,860 S \* 3/2001 Darbut et al. .... D14/226
- D439,852 S \* 4/2001 Hisatsune ..... D10/104
- D442,932 S \* 5/2001 Koike ..... D14/155
- D447,470 S \* 9/2001 Obata ..... D14/167
- 6,671,382 B2 \* 12/2003 Chen ..... 381/355
- D487,451 S \* 3/2004 Suzuki ..... D14/218
- D532,410 S \* 11/2006 Shimizu ..... D14/226
- D539,216 S \* 3/2007 Hamaguchi ..... D13/103
- D549,209 S \* 8/2007 Bauman et al. .... D14/155
- D570,821 S \* 6/2008 Probst et al. .... D14/188
- D573,588 S \* 7/2008 Warren et al. .... D14/225
- D574,368 S \* 8/2008 Chapman ..... D14/225
- D582,843 S \* 12/2008 Linardos ..... D13/103
- D583,793 S \* 12/2008 Tkachuk ..... D14/138 AB
- D593,488 S \* 6/2009 Harrison et al. .... D13/103
- D594,855 S \* 6/2009 Metlen et al. .... D14/225

\* cited by examiner

*Primary Examiner*—Paula Greene

(74) *Attorney, Agent, or Firm*—SoCal IP Law Group LLP;  
Steven C. Sereboff

(57) **CLAIM**

We claim the ornamental design for a in-line signal processor, as shown and described.

**DESCRIPTION**

FIG. 1 is a perspective view thereof;

FIG. 2 is a top view thereof;

FIG. 3 is a bottom view thereof;

FIG. 4 is a side view thereof;

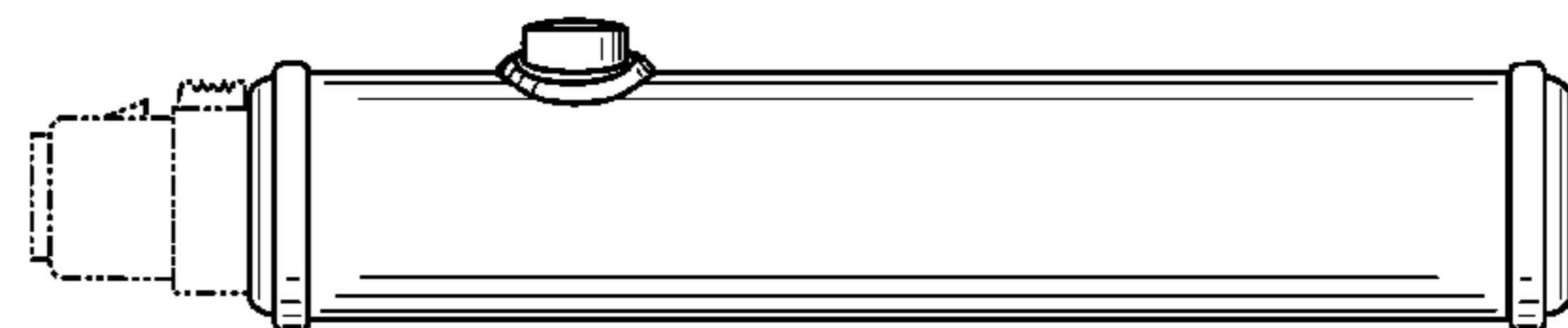
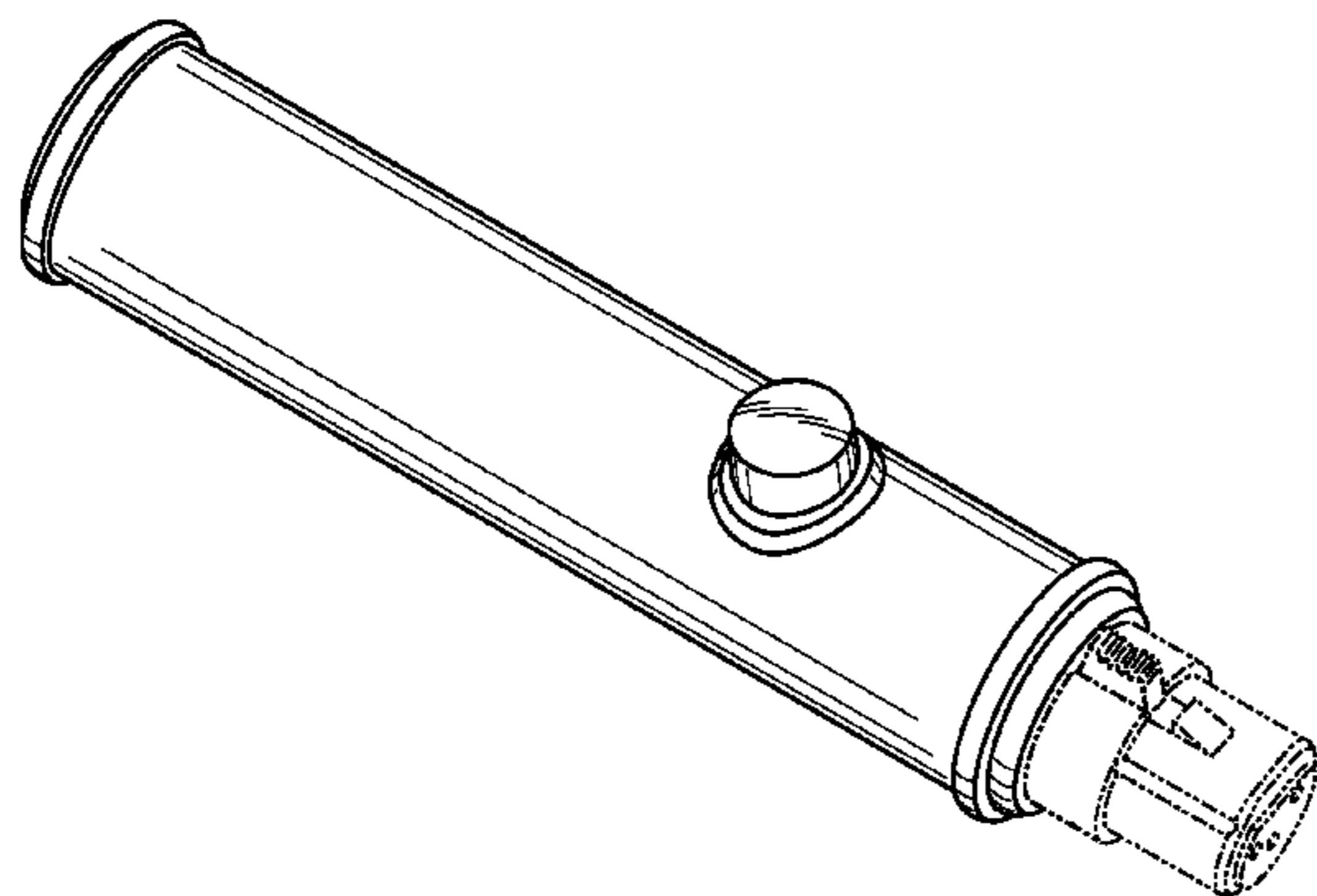
FIG. 5 is a reverse side view thereof;

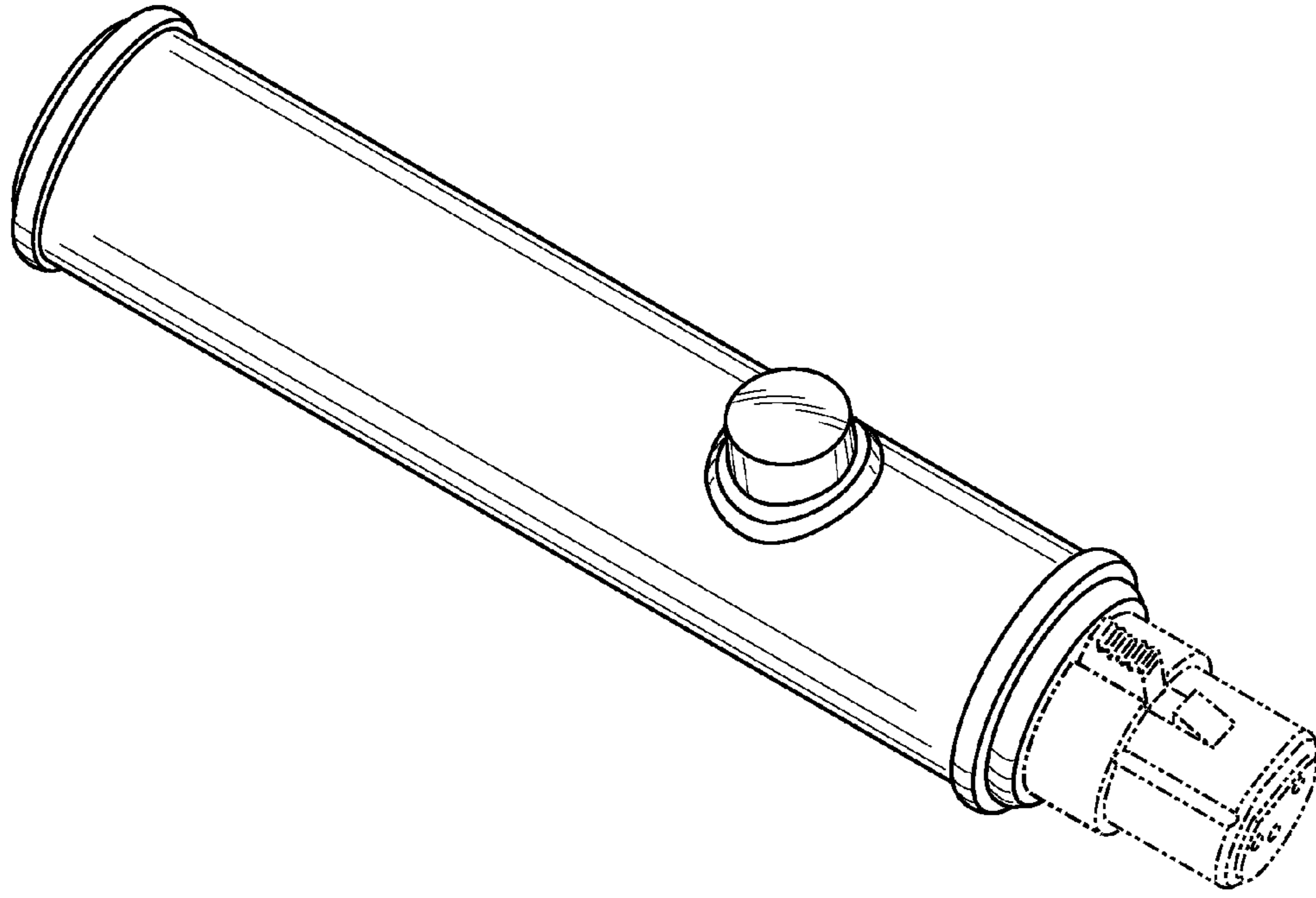
FIG. 6 is a front view thereof; and,

FIG. 7 is an end view thereof.

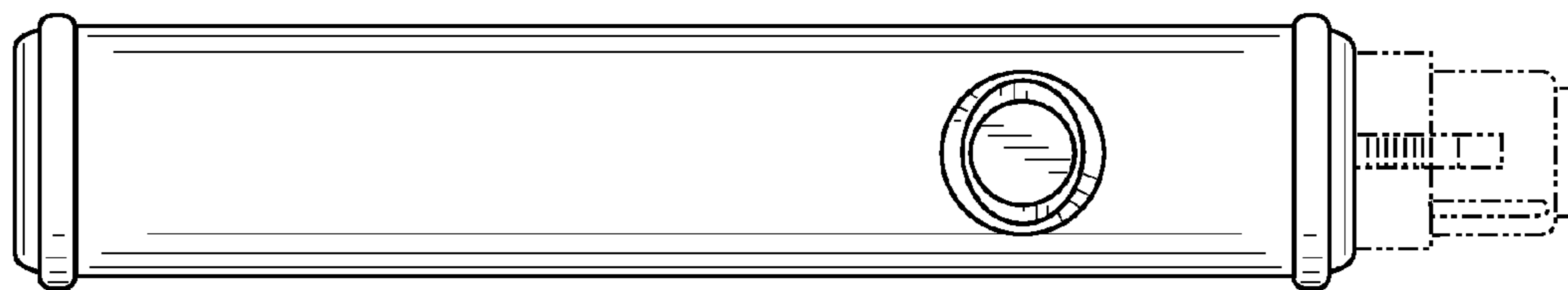
The broken lines form no part of the claimed design.

**1 Claim, 2 Drawing Sheets**

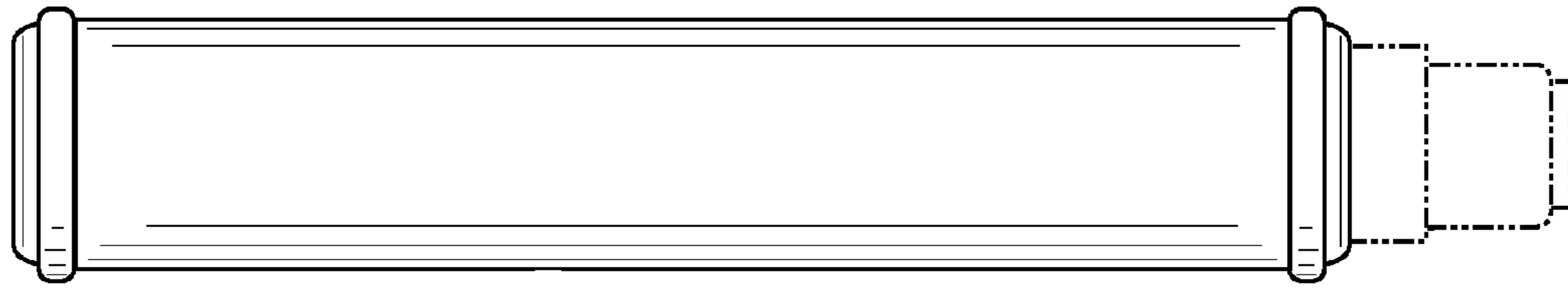




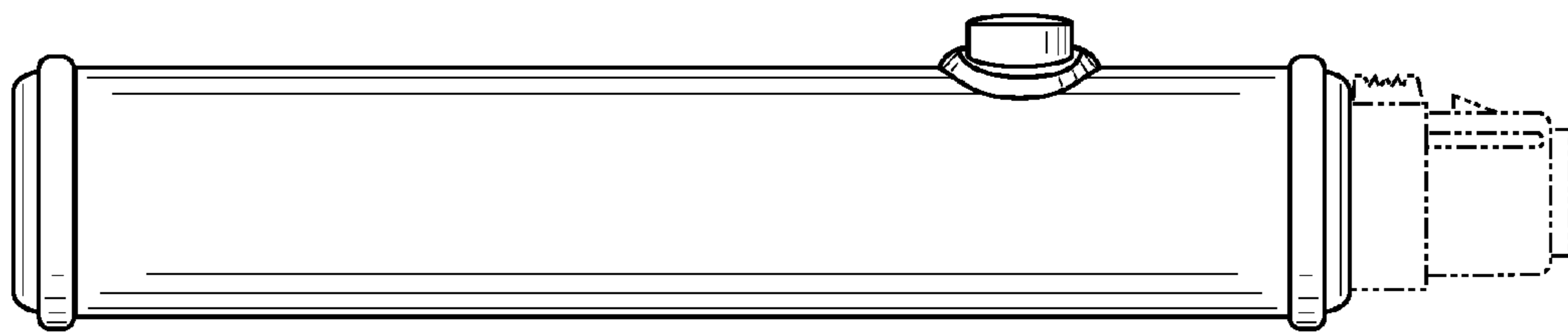
**FIG. 1**



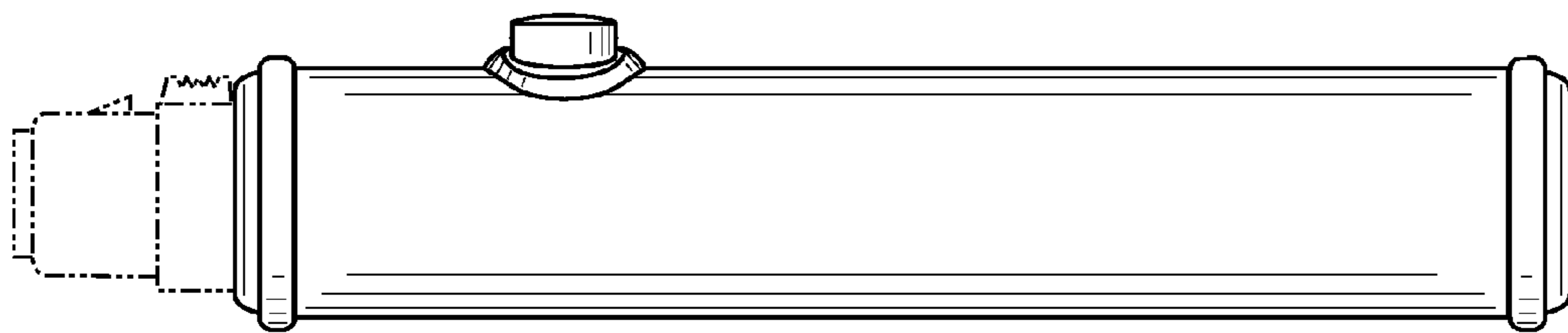
**FIG. 2**



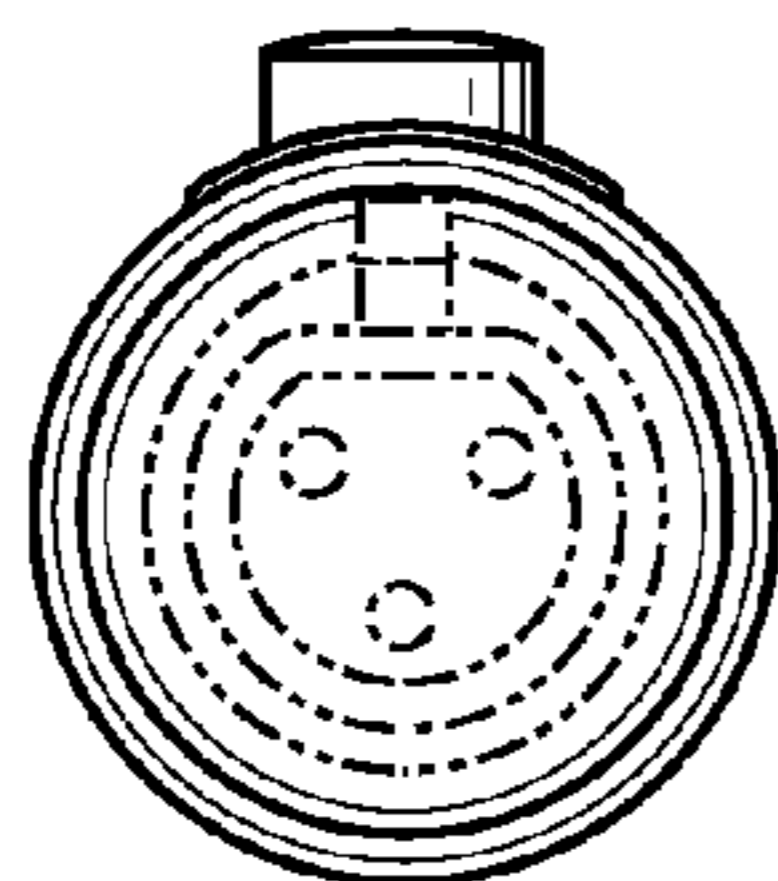
**FIG. 3**



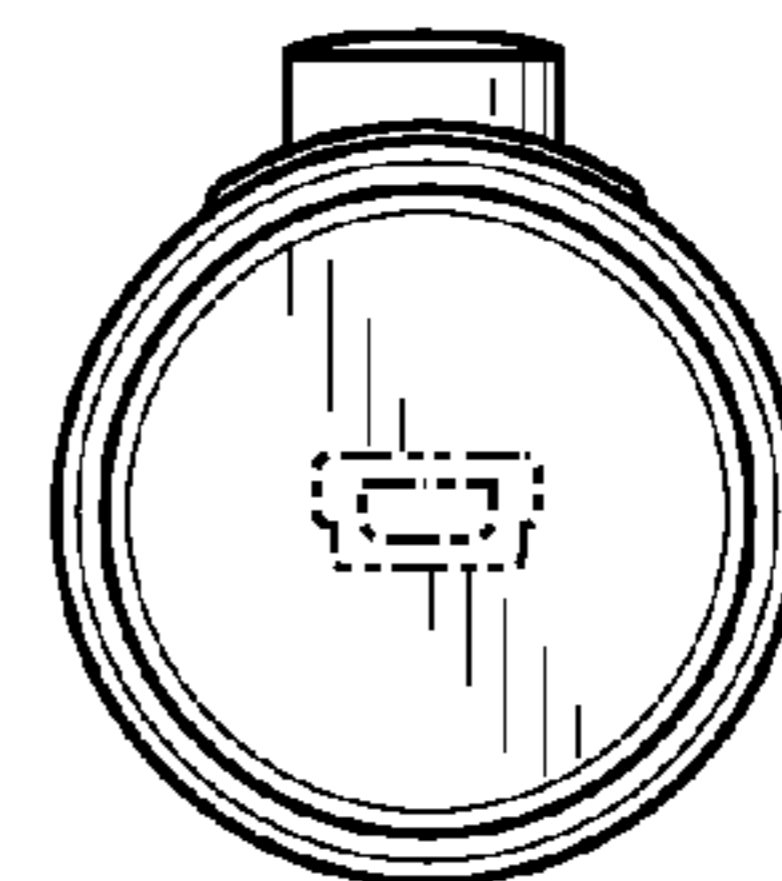
**FIG. 4**



**FIG. 5**



**FIG. 6**



**FIG. 7**