



US00D599784S

(12) **United States Design Patent**
Hansen et al.

(10) **Patent No.:** **US D599,784 S**

(45) **Date of Patent:** **** Sep. 8, 2009**

(54) **DOCK FOR AN ELECTRONIC DEVICE**

(75) Inventors: **Eskild Timme Hansen**, Copenhagen OE (DK); **Nicola Girotti**, Copenhagen (DK)

(73) Assignee: **Cisco Technology, Inc.**, San Jose, CA (US)

(**) Term: **14 Years**

(21) Appl. No.: **29/325,409**

(22) Filed: **Sep. 30, 2008**

(51) **LOC (9) Cl.** **14-03**

(52) **U.S. Cl.** **D14/217**

(58) **Field of Classification Search** D14/142, D14/149, 155, 157, 188, 191-193, 203.1-203.8, D14/217, 251, 253, 432-435.1, 447, 451, D14/474, 480.1-480.7, 496; D13/107, 108, D13/118; D3/218; 248/221.11, 309.1; 320/107, 320/110, 113-115; 361/600, 679, 683, 686; 439/529, 534; 455/556.1-556.2, 557

See application file for complete search history.

(56) **References Cited**

U.S. PATENT DOCUMENTS

D350,540 S *	9/1994	Hyvonen	D14/149
D495,336 S *	8/2004	Andre et al.	D14/434
D532,005 S *	11/2006	Leith	D14/253
D551,214 S *	9/2007	Hussaini et al.	D14/217
D551,658 S *	9/2007	Hussaini et al.	D14/217
D553,122 S *	10/2007	Solland	D14/217

D558,739 S *	1/2008	Andre et al.	D14/217
D578,110 S *	10/2008	Andre et al.	D14/217
D578,512 S *	10/2008	Andre et al.	D14/217
D580,855 S *	11/2008	Haspil et al.	D13/108
D589,876 S *	4/2009	Hong et al.	D13/108
D590,770 S *	4/2009	Moss	D13/108
2006/0250764 A1 *	11/2006	Howarth et al.	361/683
2009/0009957 A1 *	1/2009	Crooijmans et al.	361/686

* cited by examiner

Primary Examiner—Ian Simmons

Assistant Examiner—Keli L Hill

(74) *Attorney, Agent, or Firm*—Haynes and Boone, LLP.

(57) **CLAIM**

The ornamental design for an dock for an electronic device, as shown and described.

DESCRIPTION

FIG. 1 is a perspective view showing our new dock for an electronic device design;

FIG. 2 is a side view thereof;

FIG. 3 is a top view thereof;

FIG. 4 is a front view thereof;

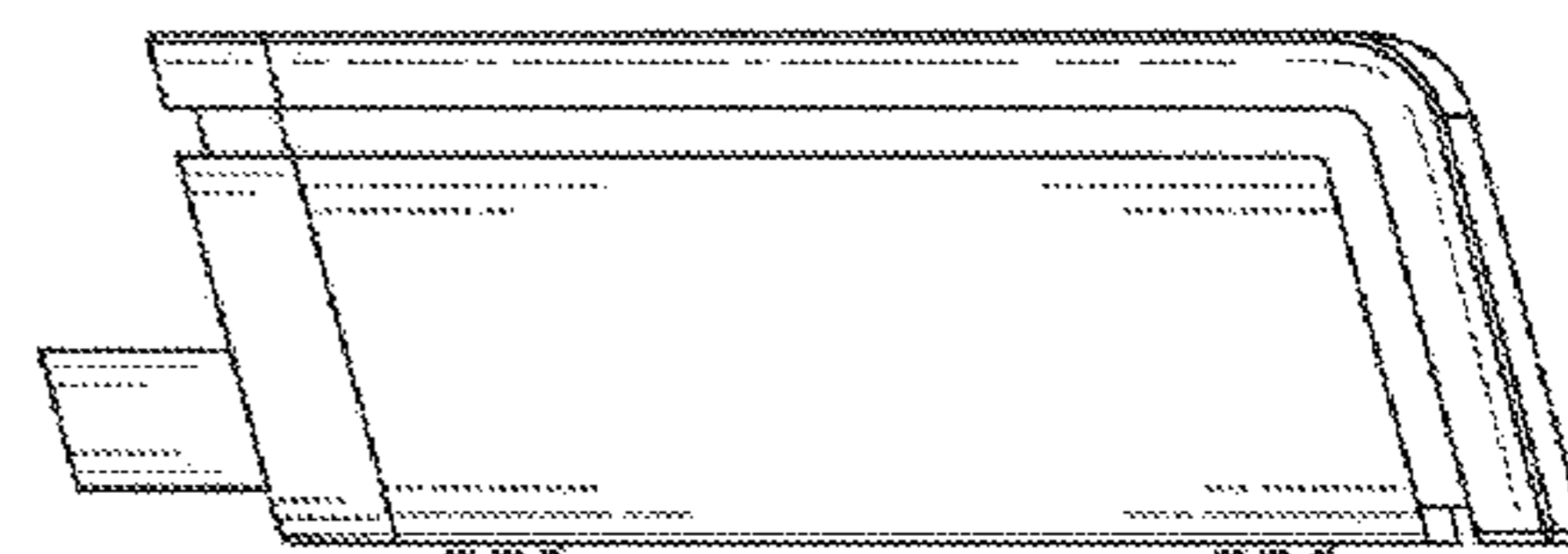
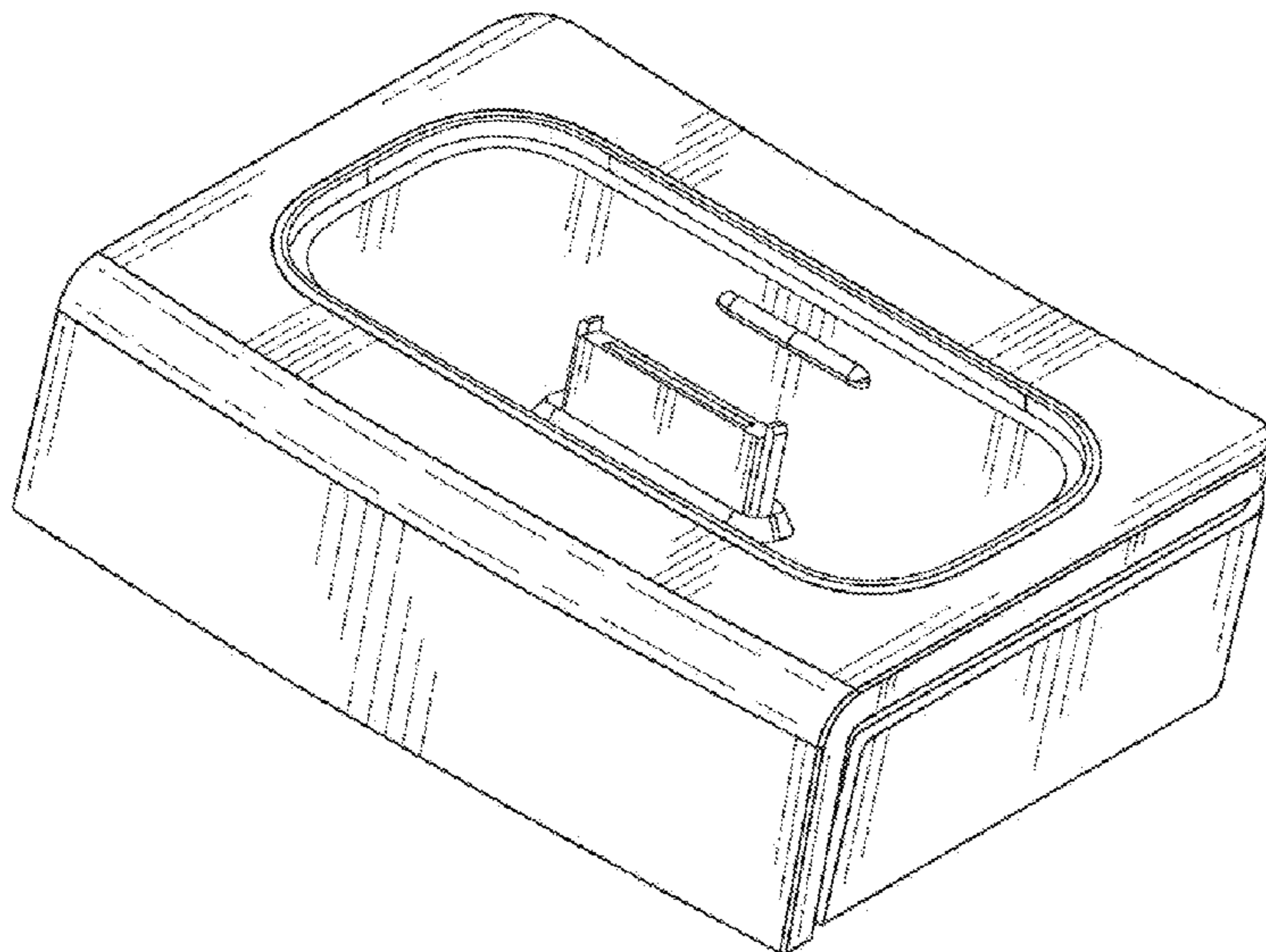
FIG. 5 is another side view thereof;

FIG. 6 is a back view thereof; and,

FIG. 7 is a bottom view thereof.

The broken lines represent the portions of the design that form no part of the claim.

1 Claim, 4 Drawing Sheets



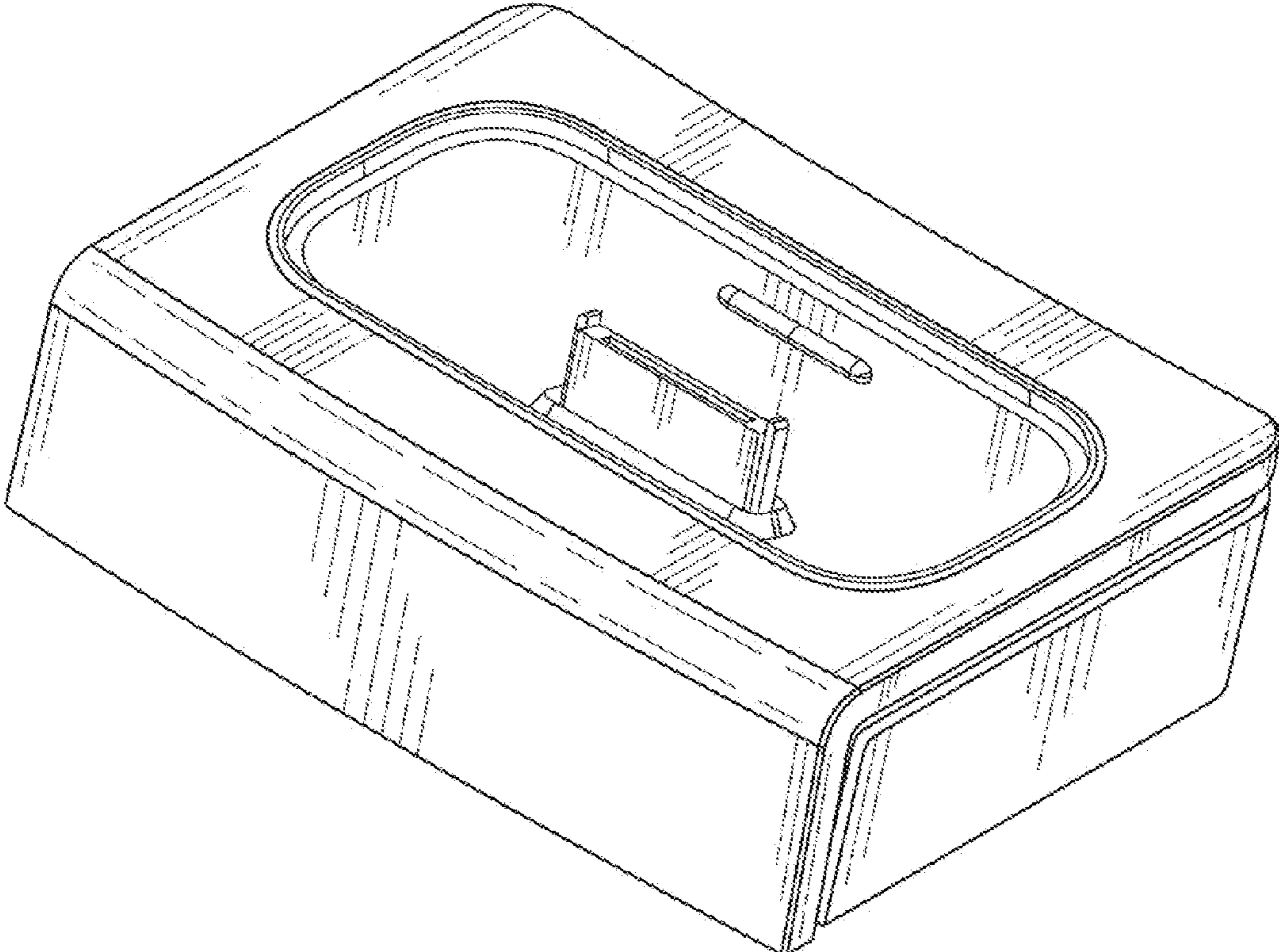


FIG. 1

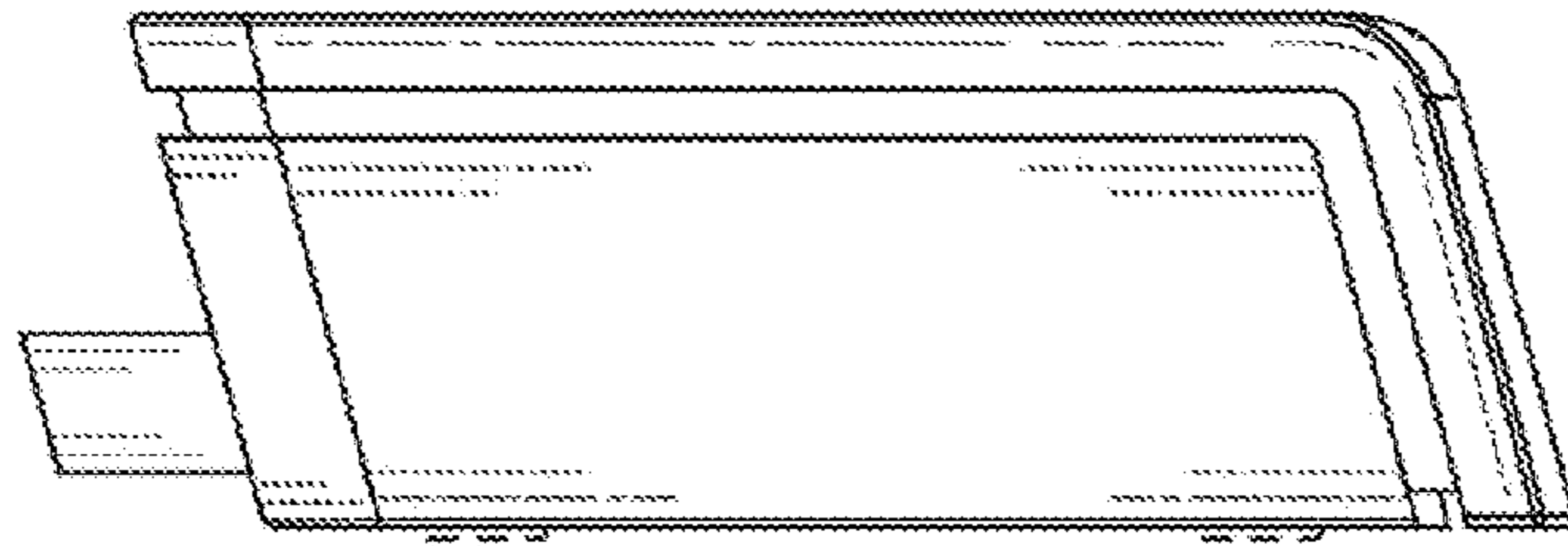


FIG. 2

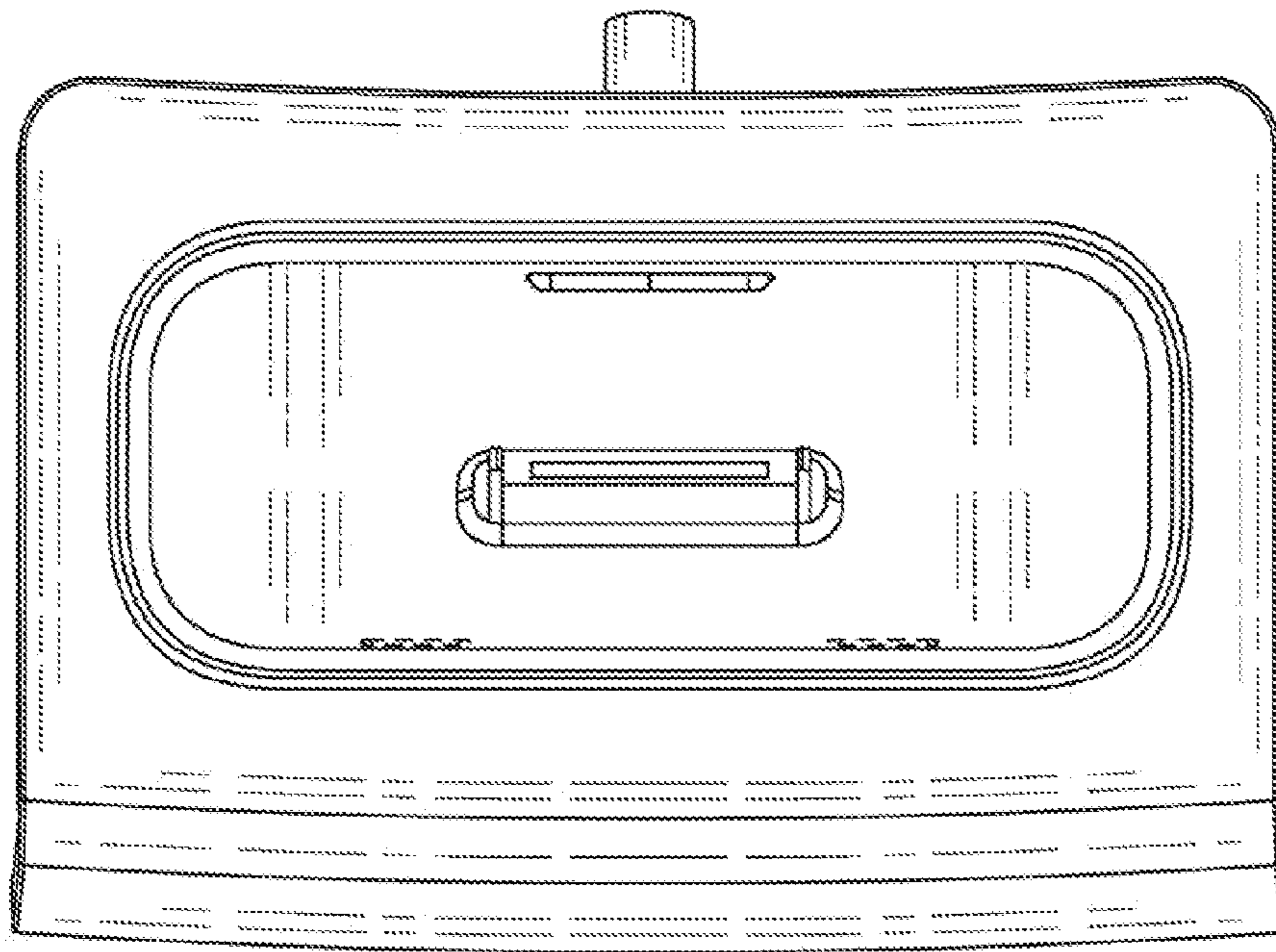


FIG. 3

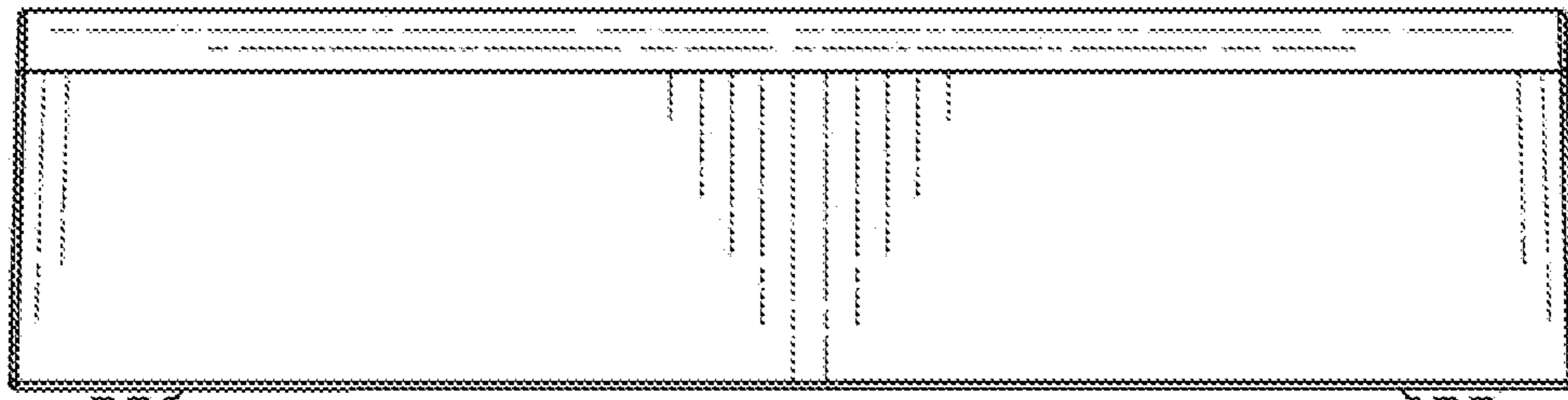


FIG. 4

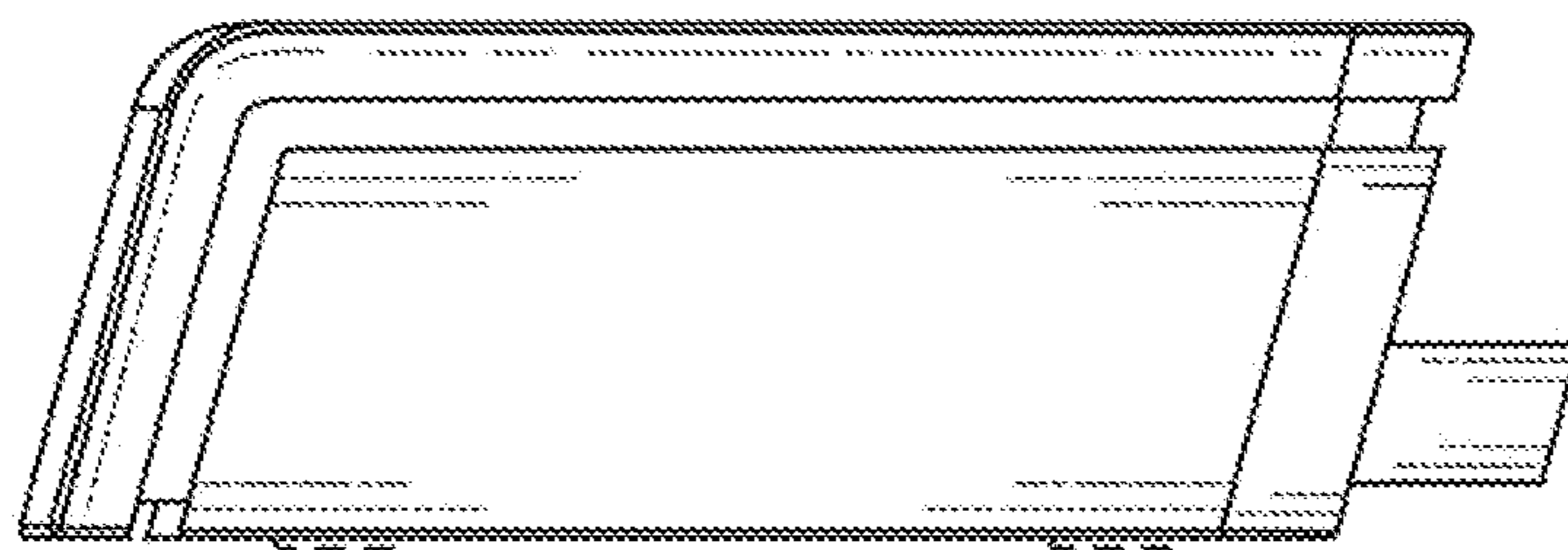


FIG. 5

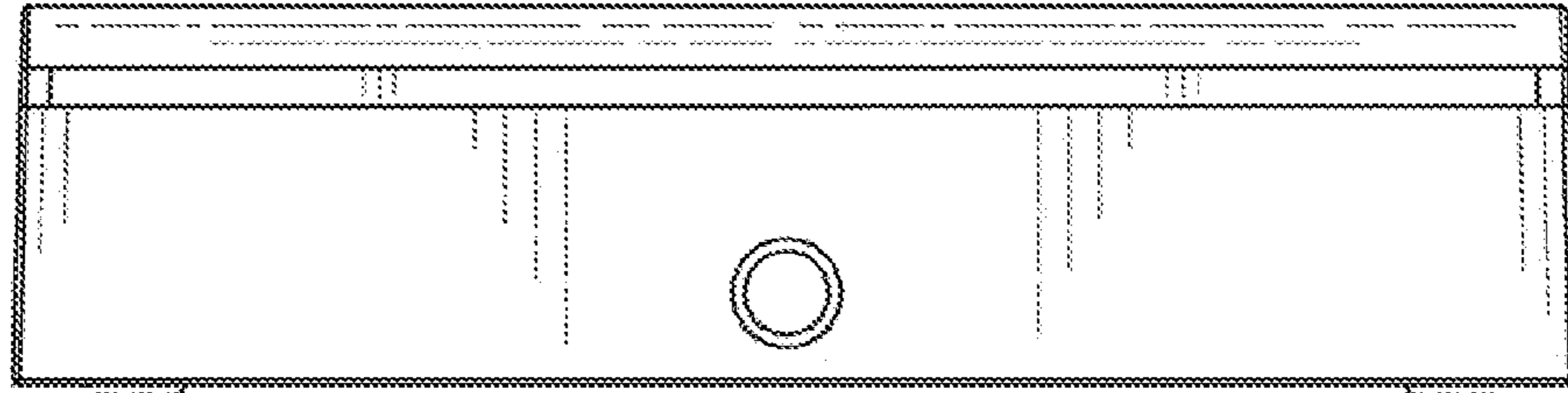


FIG. 6

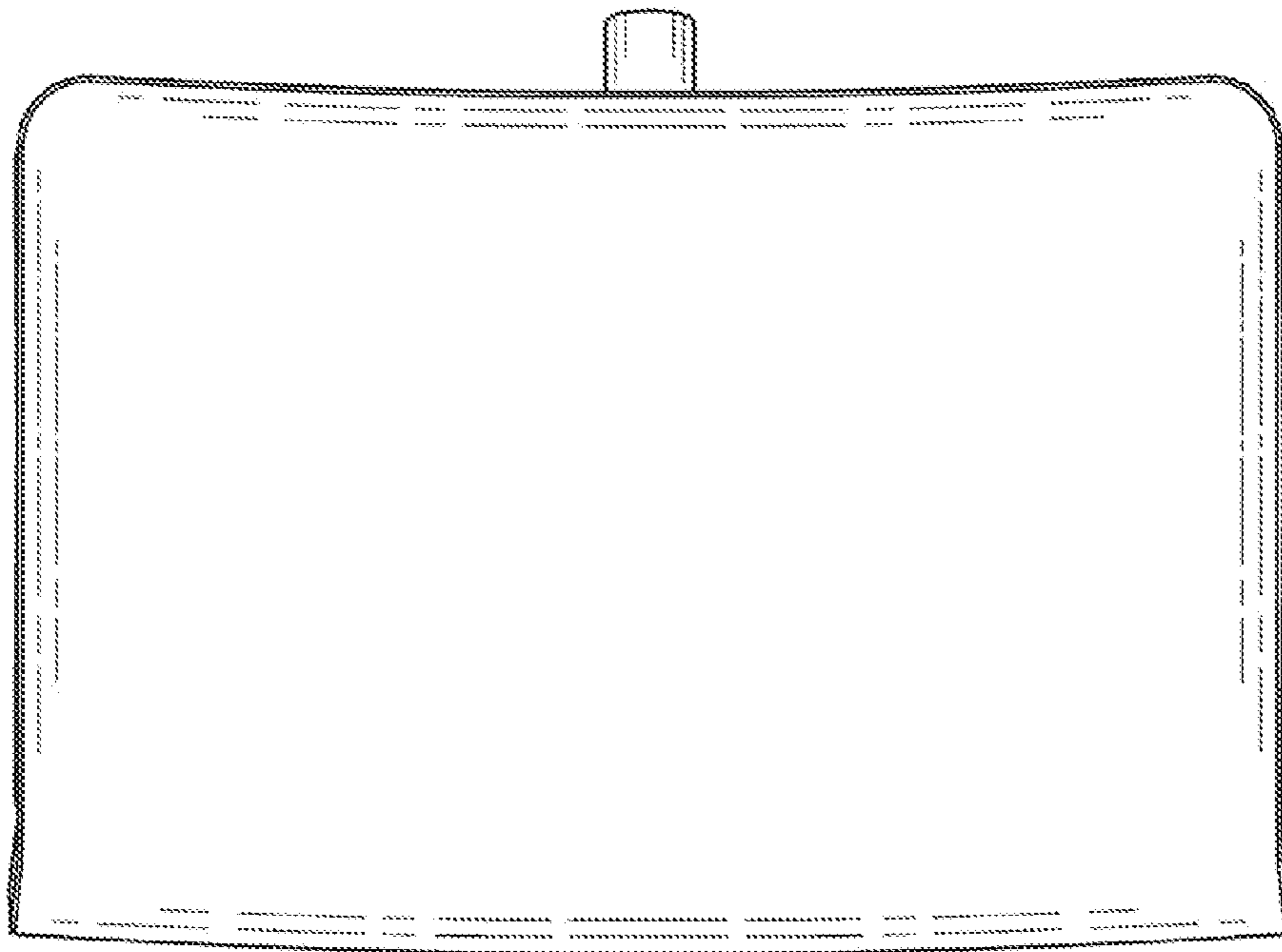


FIG. 7