

US00D599783S

(12) **United States Design Patent**
Andre et al.

(10) **Patent No.:** **US D599,783 S**

(45) **Date of Patent:** **** *Sep. 8, 2009**

(54) **DOCKING STATION**

(75) Inventors: **Bartley K. Andre**, Menlo Park, CA (US); **Daniel J. Coster**, San Francisco, CA (US); **Daniele De Iuliis**, San Francisco, CA (US); **Richard P. Howarth**, San Francisco, CA (US); **Jonathan P. Ive**, San Francisco, CA (US); **Duncan Robert Kerr**, San Francisco, CA (US); **Shin Nishibori**, San Francisco, CA (US); **Matthew Dean Rohrbach**, San Francisco, CA (US); **Douglas B. Satzger**, Menlo Park, CA (US); **Calvin Q. Seid**, Palo Alto, CA (US); **Vincent Keane Seid**, legal representative, Los Gatos, CA (US); **Christopher J. Stringer**, Portola Valley, CA (US); **Eugene Antony Whang**, San Francisco, CA (US); **Rico Zorkendorfer**, San Francisco, CA (US)

(73) Assignee: **Apple Inc.**, Cupertino, CA (US)

(*) Notice: This patent is subject to a terminal disclaimer.

(**) Term: **14 Years**

(21) Appl. No.: **29/296,895**

(22) Filed: **Oct. 30, 2007**

Related U.S. Application Data

(63) Continuation of application No. 29/237,084, filed on Aug. 24, 2005, now Pat. No. Des. 558,738.

(51) **LOC (9) Cl.** **14-03**

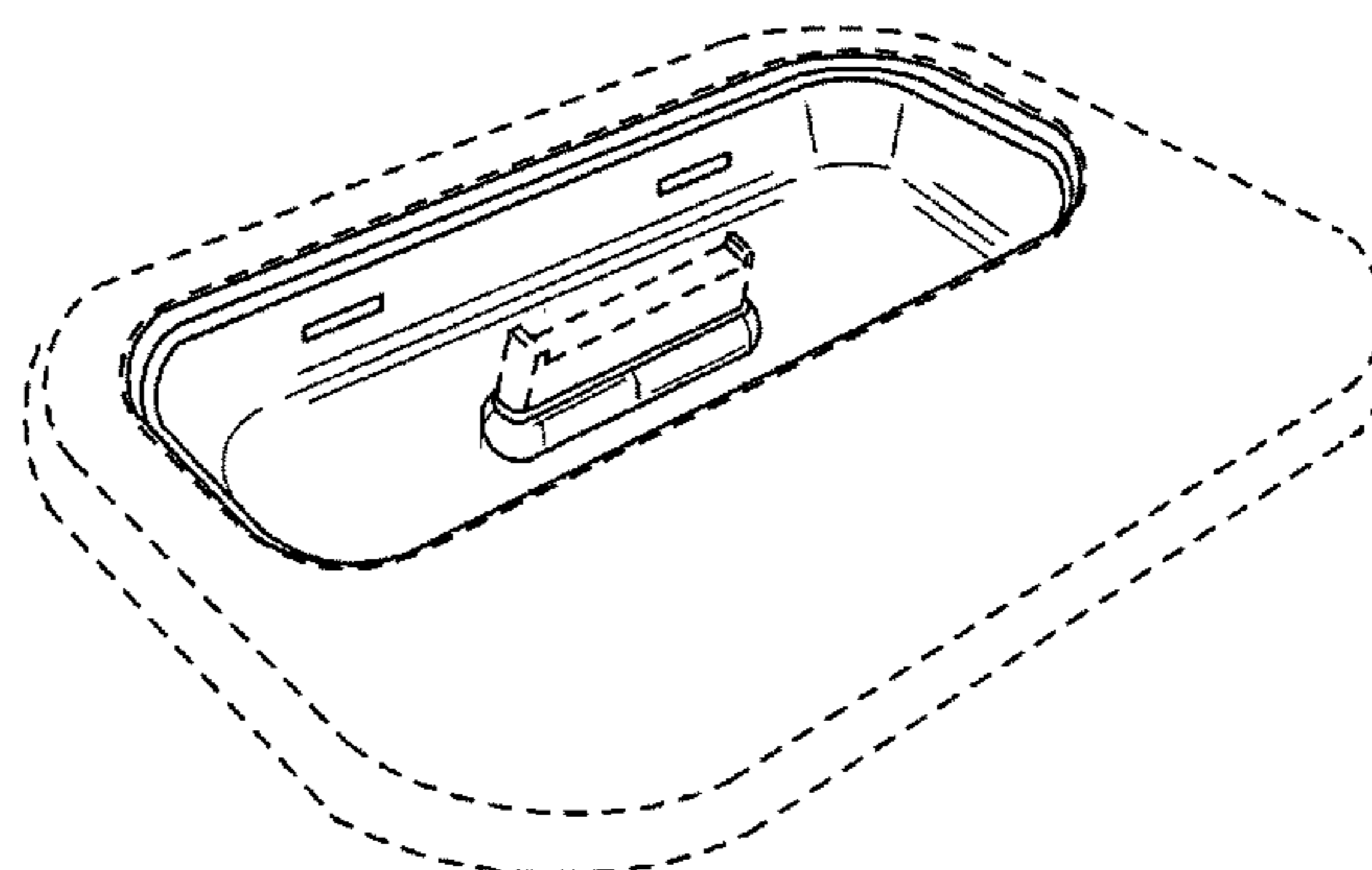
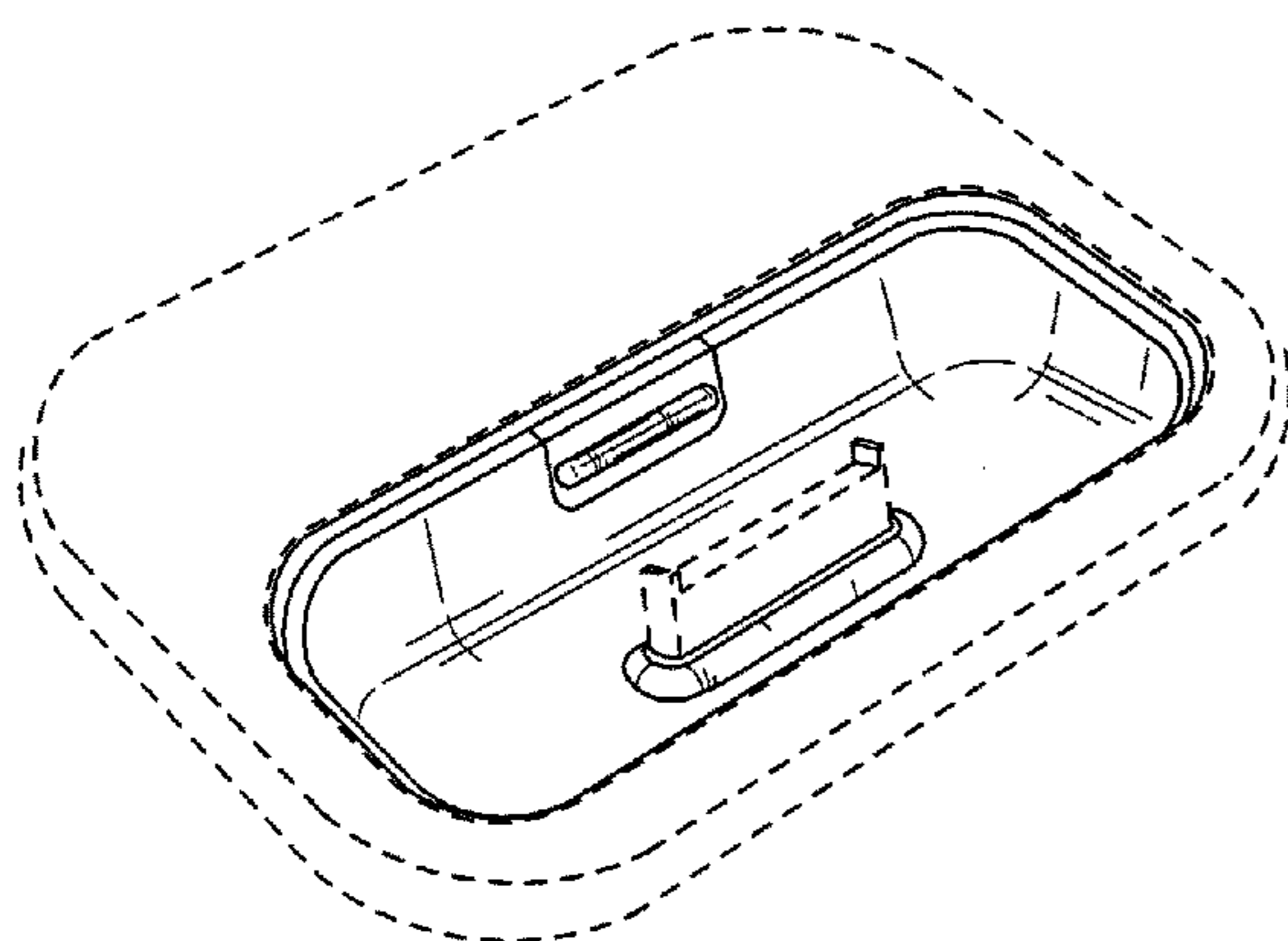
(52) **U.S. Cl.** **D14/217**

(58) **Field of Classification Search** D14/142, D14/149, 155, 157, 188, 191-193, 230.1-203.8, D14/217, 251, 253, 432-435.1, 447, 451, D14/496, 474, 480.1-480.7; D13/107, 108, D13/118; D3/218; 248/221.11, 309.1; 320/107, 320/110, 113-115; 361/600, 679, 683, 686; 439/529, 534; 455/556.1-556.2, 557
See application file for complete search history.

(56) **References Cited**

U.S. PATENT DOCUMENTS

D358,821	S	5/1995	Hellier et al.	
5,602,458	A	2/1997	Dowe	
D385,530	S	10/1997	Hames et al.	
D390,824	S	2/1998	Foster et al.	
6,042,414	A	3/2000	Kunert	
D442,939	S	5/2001	Goldenburg	
D444,124	S	6/2001	Casey et al.	
D463,361	S	9/2002	Ruohonen	
D477,823	S	7/2003	Lavello, Sr.	
D495,336	S *	8/2004	Andre et al.	D14/434
7,075,579	B2 *	7/2006	Whitby et al.	348/375
D532,005	S *	11/2006	Leith	D14/253
D532,369	S *	11/2006	Shimizu	D13/108
7,145,603	B2 *	12/2006	Whitby et al.	348/375
D535,614	S	1/2007	Majanen et al.	
D540,327	S	4/2007	Wong et al.	
D544,899	S	6/2007	Li et al.	
D551,214	S	9/2007	Hussaini et al.	
D551,658	S	9/2007	Hussaini et al.	
D553,106	S	10/2007	Griffin	
D558,208	S	12/2007	Ikeda et al.	
D558,738	S *	1/2008	Andre et al.	D14/217
D558,739	S *	1/2008	Andre et al.	D14/217
D575,275	S *	8/2008	Andre et al.	D14/217
D578,110	S *	10/2008	Andre et al.	D14/217
D578,512	S *	10/2008	Andre et al.	D14/217
2006/0250764	A1	11/2006	Howarth et al.	



2007/0047198 A1* 3/2007 Crooijmans et al. 361/686
2008/0164845 A1* 7/2008 Choi 320/115

OTHER PUBLICATIONS

U.S. Appl. No. 29/237,687 entitled "Docking Station" filed Sep. 2, 2005.
U.S. Appl. No. 29/319,154 entitled "Stand" filed Jun. 4, 2008.
U.S. Appl. No. 29/304,900 entitled "Stand" filed Mar. 10, 2008.
U.S. Appl. No. 29/319,238 entitled "Stand" filed Jun. 5, 2008.
U.S. Appl. No. 29/326,229 entitled "Docking Station" filed Oct. 14, 2008.
U.S. Appl. No. 29/317,435 entitled "Stand" filed Apr. 29, 2008.

* cited by examiner

Primary Examiner—Stella M Reid
Assistant Examiner—Keli L Hill
(74) *Attorney, Agent, or Firm*—Sterne Kessler Goldstein & Fox PLLC

(57) CLAIM

We claim the ornamental design for a docking station, substantially as shown and described.

DESCRIPTION

This application is related to: U.S. Design patent application Ser. No. 29/237,233, and entitled "Docking Station," filed Aug. 24, 2005 now U.S. Design Pat. No. D558,739 which is hereby incorporated herein by reference.

Various examples of dock insert embodiments are shown and described in (i) U.S. Design patent application Ser. No. 29/237,097, filed Aug. 24, 2005 and entitled "Dock Insert," now U.S. Design Pat. No. D552,085; (ii) U.S. Design patent application Ser. No. 29/237,111, filed Aug. 24, 2005 and entitled "Dock Insert," now U.S. Design Pat. No. D551,212; and (iii) U.S. Design patent application Ser. No. 29/237,112, filed Aug. 24, 2005 and entitled "Dock Insert," now U.S. Design Pat. No. D551,231, each of which is hereby incorporated by reference.

FIG. 1 is a front perspective view of a docking station in accordance with the present design.

FIG. 2 is a rear perspective view of the docking station.

FIG. 3 is a top view for the docking station.

FIG. 4 is an exemplary perspective view of how a docking system can incorporate the docking station with a dock insert.

FIGS. 5–8 are exemplary top views of a docking system that incorporates different dock inserts into the docking station; and,

FIG. 9 is an exemplary perspective view of the docking station integrated into an electronic device such as a portable music player (e.g., boom box).

The broken lines represent the portions of the design that form no part of the claim.

1 Claim, 6 Drawing Sheets

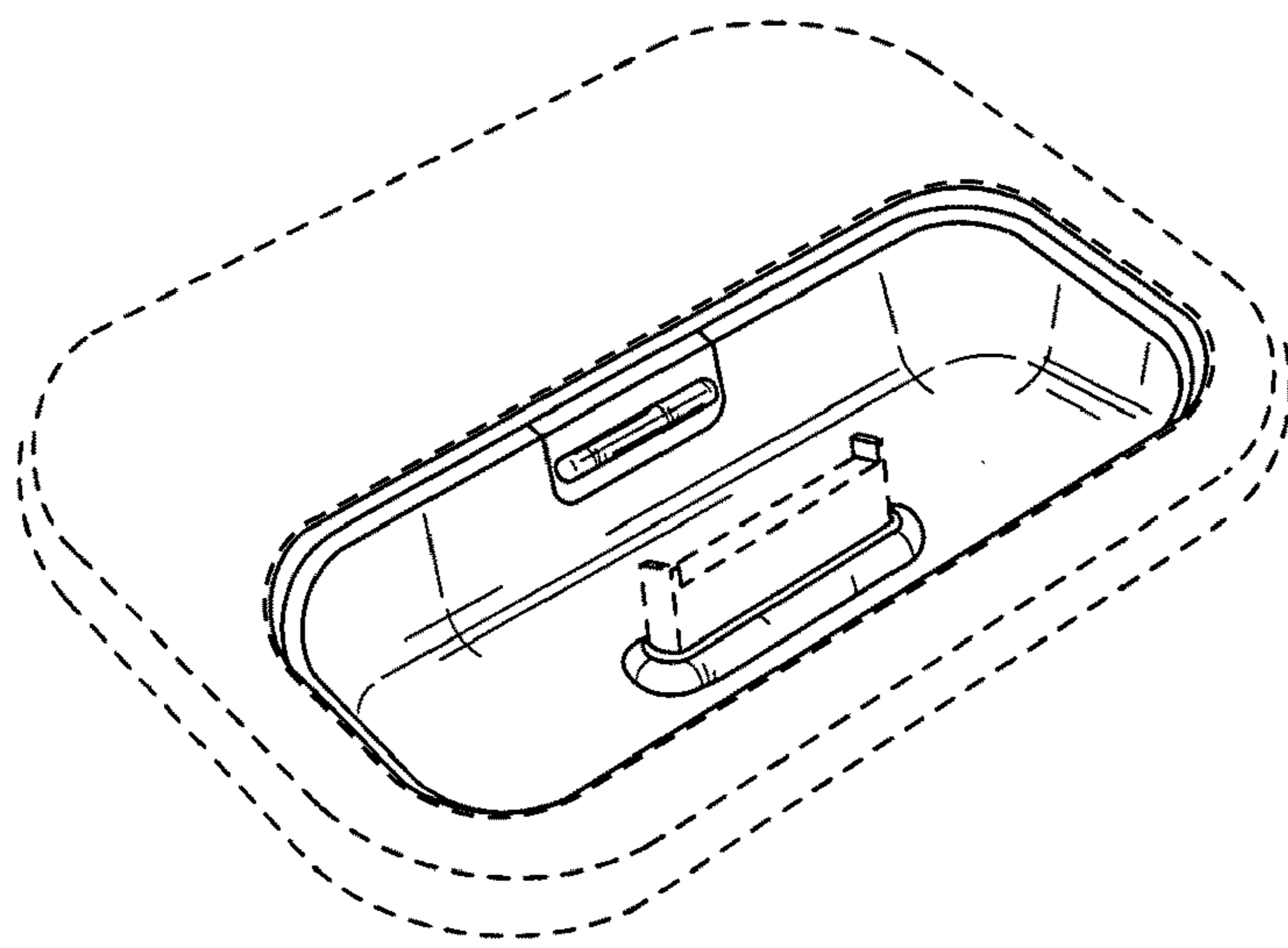


FIG. 1

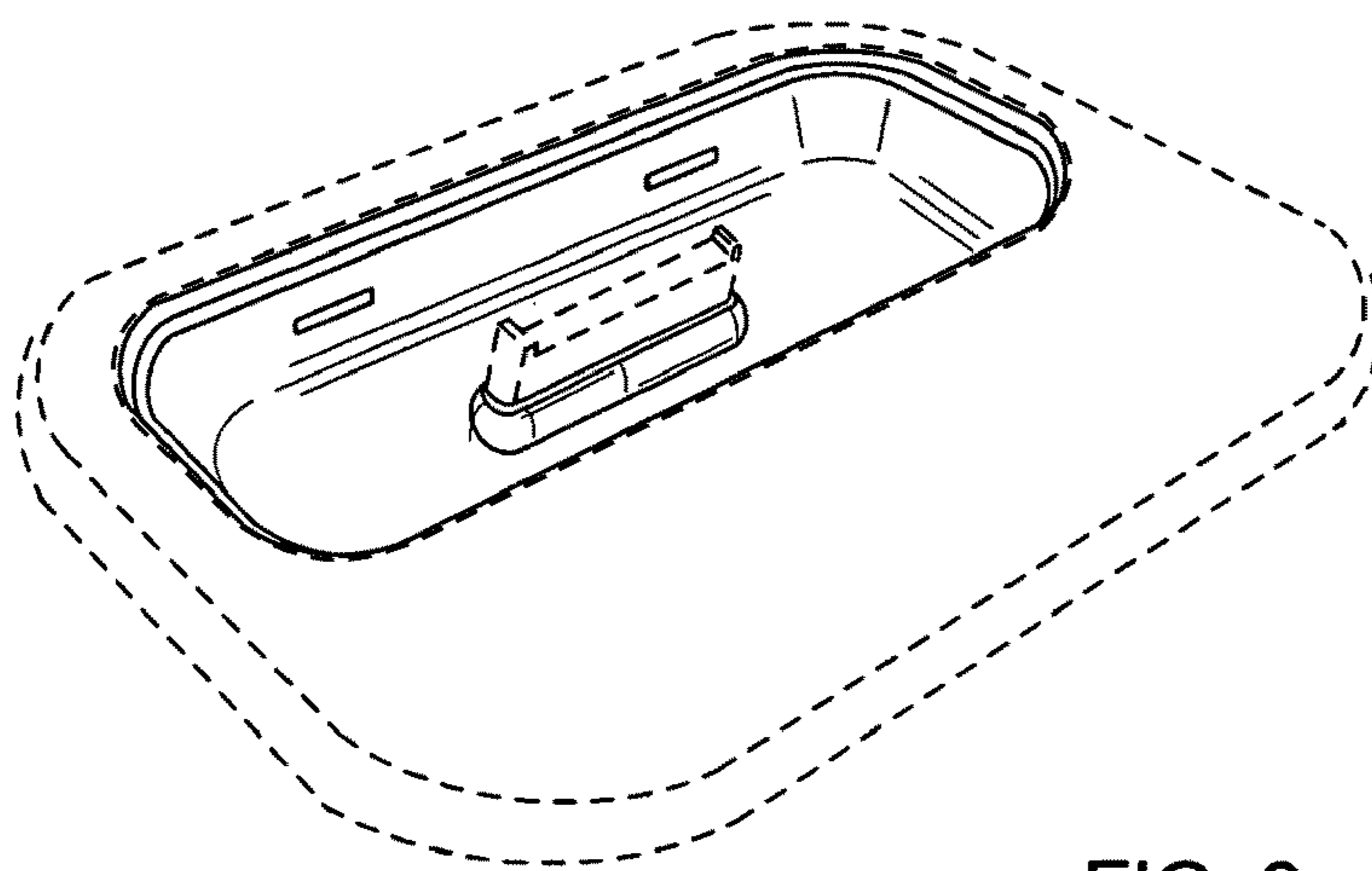


FIG. 2

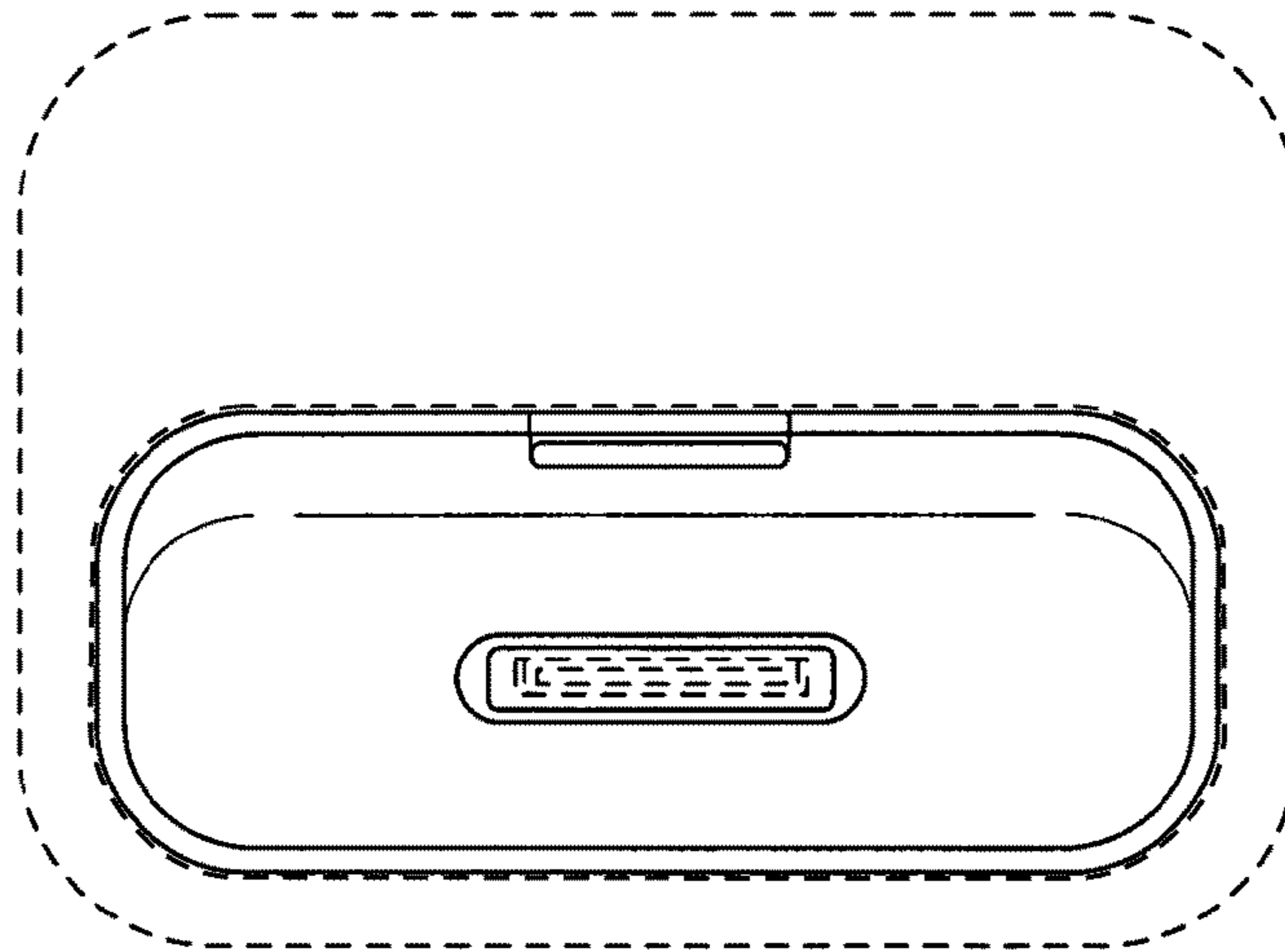


FIG. 3

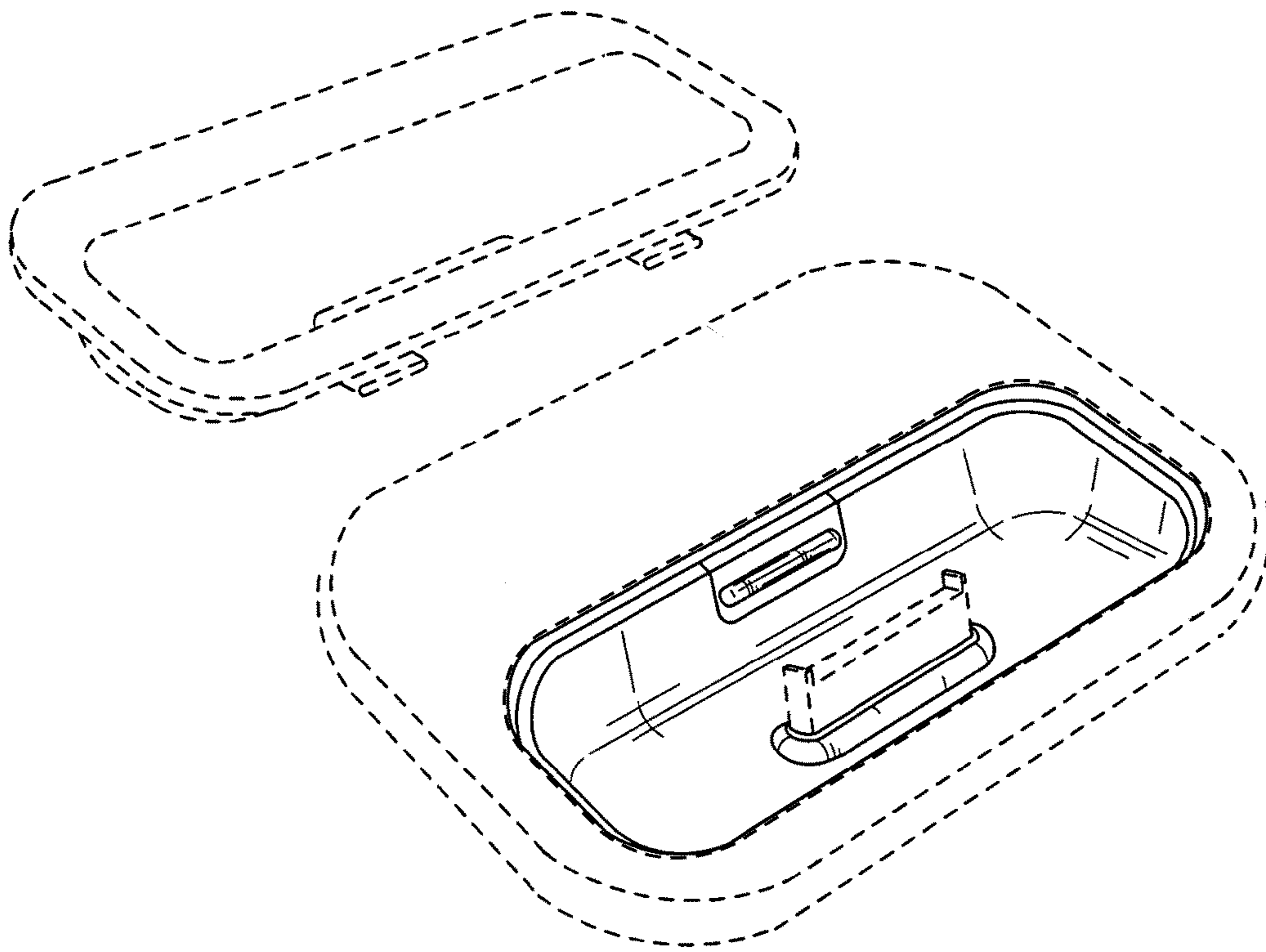


FIG. 4

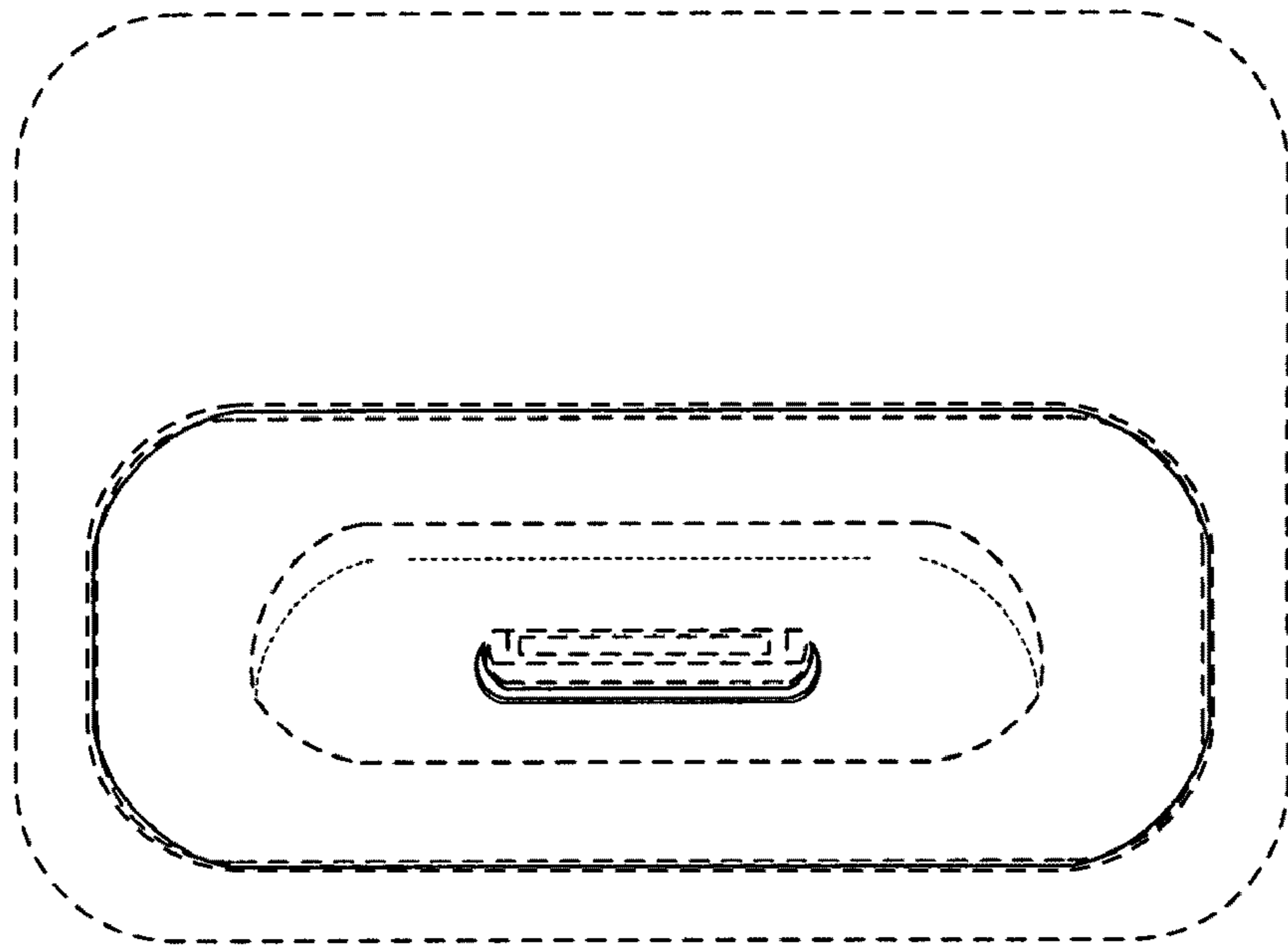


FIG. 5

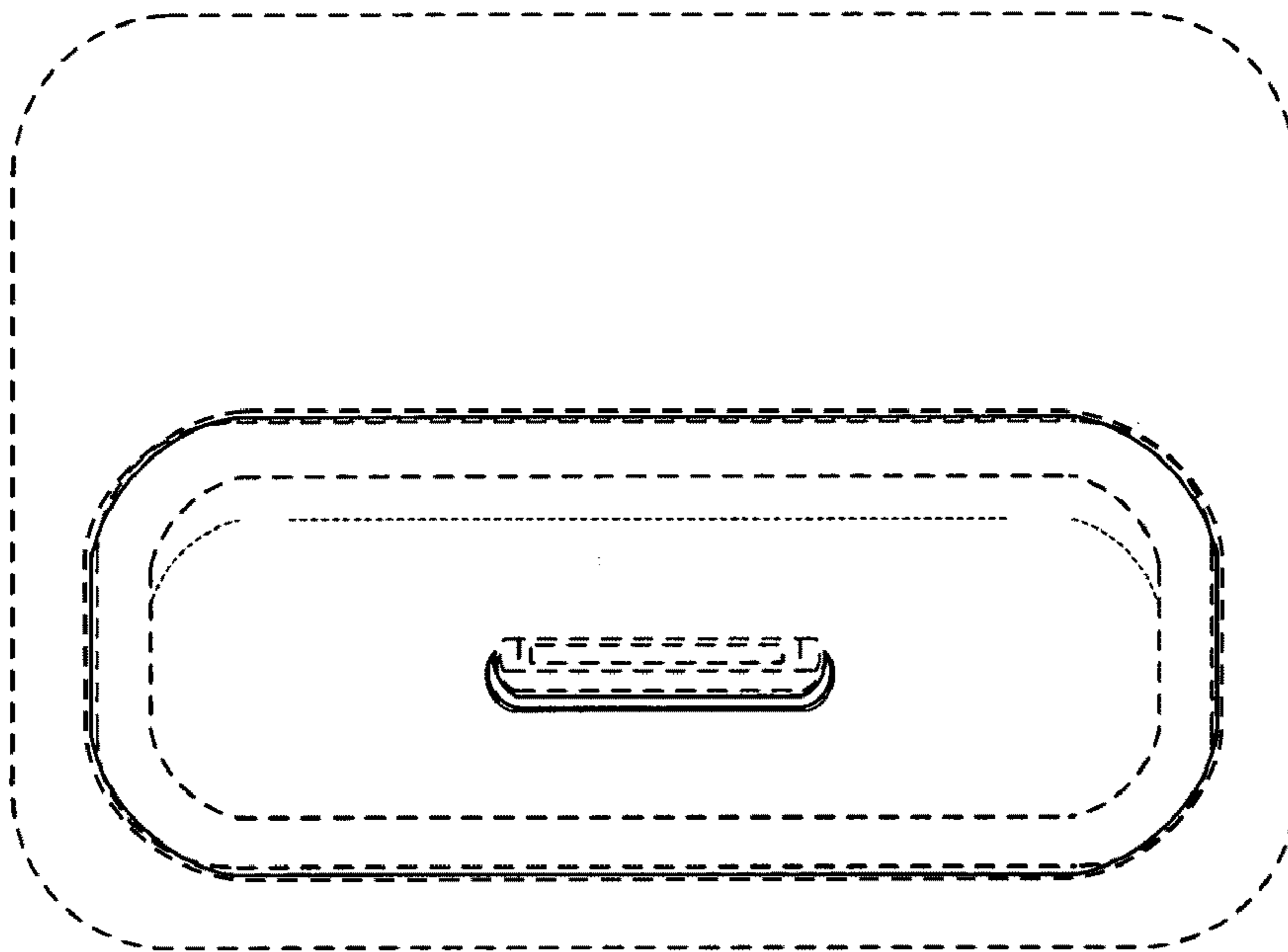


FIG. 6

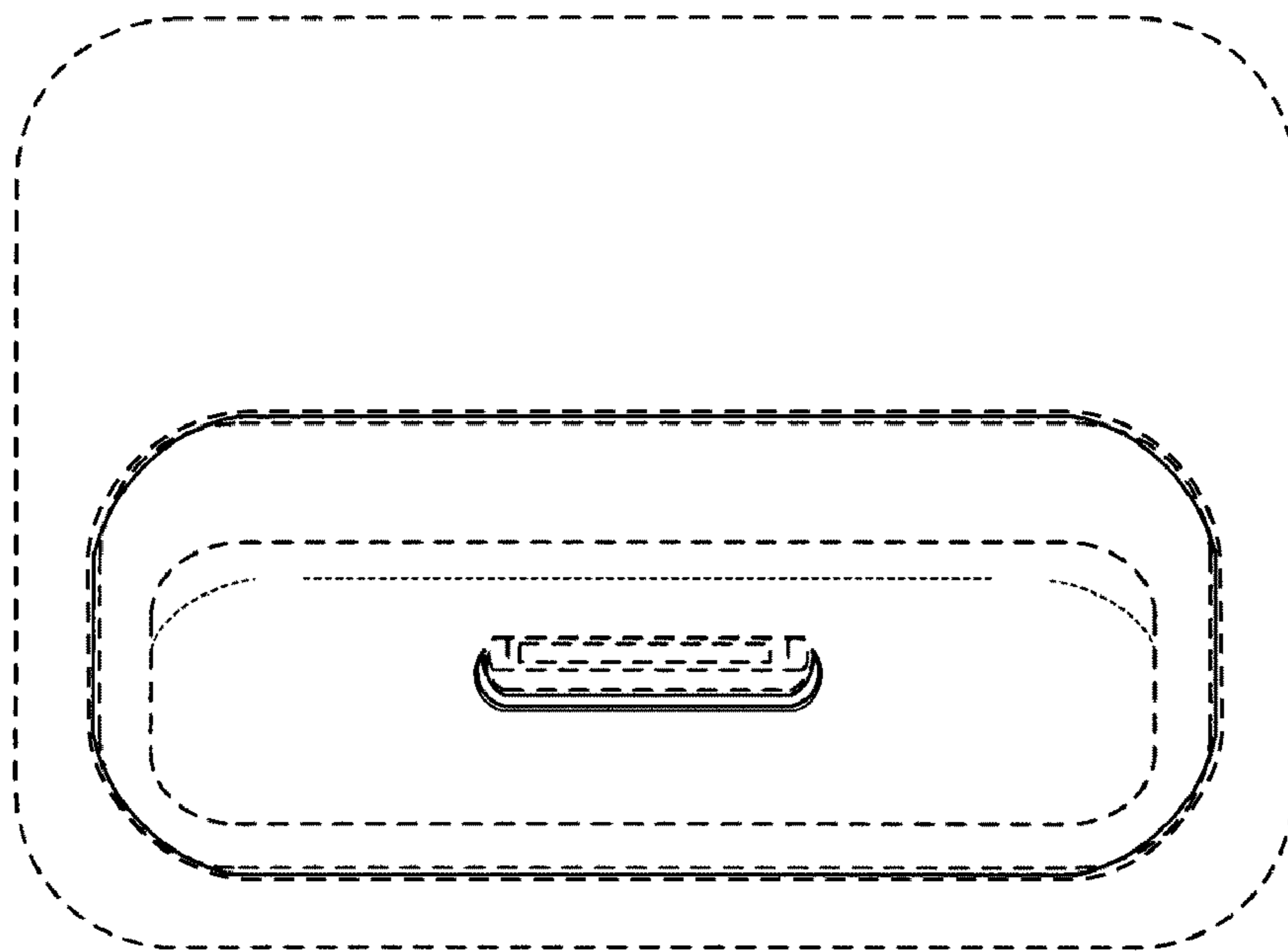


FIG. 7

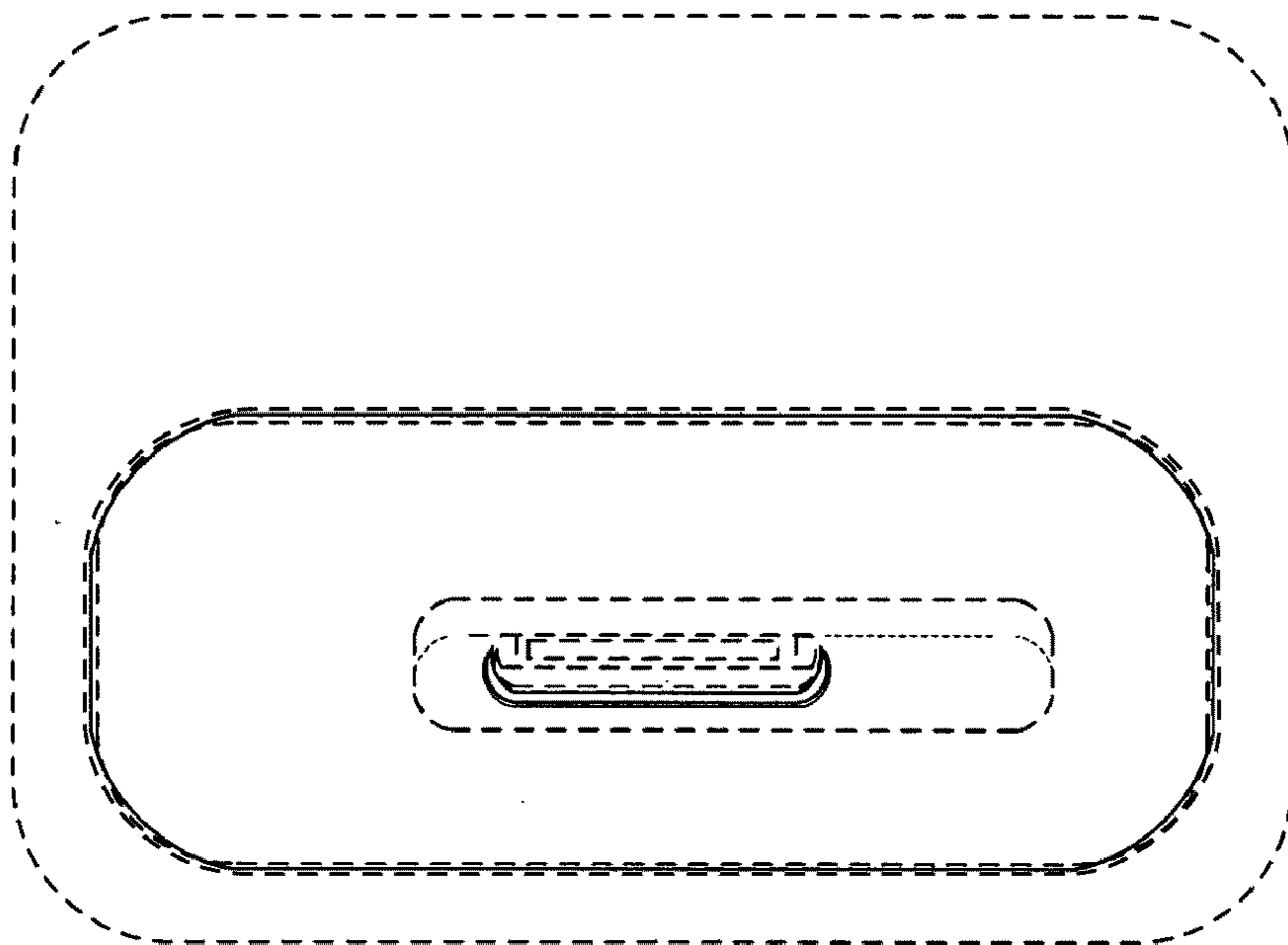


FIG. 8

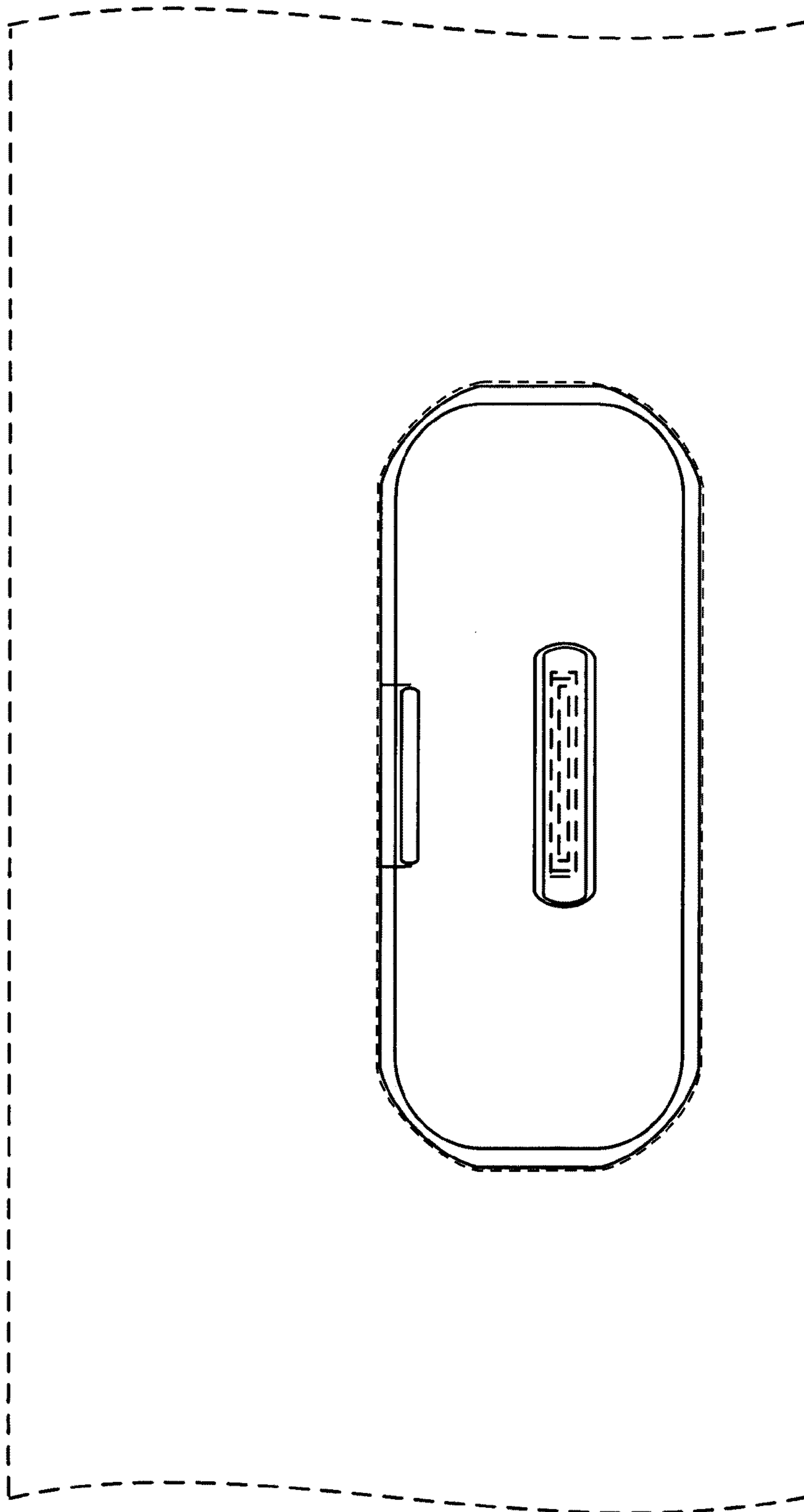


FIG. 9