

US00D599780S

(12) **United States Design Patent**
Nagayama

(10) **Patent No.:** **US D599,780 S**

(45) **Date of Patent:** **** Sep. 8, 2009**

(54) **HEADPHONE**

(75) Inventor: **Yuka Nagayama**, Machida (JP)

(73) Assignee: **Kabushiki Kaisha Audio-Technica**,
Machida-Shi, Tokyo (JP)

(**) Term: **14 Years**

(21) Appl. No.: **29/309,991**

(22) Filed: **Nov. 28, 2008**

(30) **Foreign Application Priority Data**

Jun. 10, 2008 (JP) 2008-014721

(51) **LOC (9) Cl.** **14-01**

(52) **U.S. Cl.** **D14/205**

(58) **Field of Classification Search** D14/205,
D14/206, 223, 168, 188, 192, 249; 181/129,
181/130; 381/380, 381, 383, 374, 379; 379/430,
379/431, 433.01; 2/209; D29/112; D11/222;
24/113 R; 455/575.2

See application file for complete search history.

(56) **References Cited**

U.S. PATENT DOCUMENTS

1,719,904	A *	7/1929	Sauer	24/113 R
3,085,253	A *	4/1963	Ulrich et al.	2/209
D247,433	S *	3/1978	Fixler	D14/205
D288,141	S *	2/1987	Pozzini	D29/112
D291,197	S *	8/1987	LaLanne	D14/205
D324,386	S *	3/1992	Oblinger	D14/205
D324,523	S *	3/1992	Hughes et al.	D14/205
D336,299	S *	6/1993	Darovic	D14/205

D342,071	S *	12/1993	Wright et al.	D14/223
D343,621	S *	1/1994	Fine et al.	D14/205
5,369,857	A *	12/1994	Sacherman et al.	29/594
D357,916	S *	5/1995	Covington	D14/205
D371,639	S *	7/1996	Schmitt	D29/112
D383,136	S *	9/1997	Leifer	D14/223
D493,163	S *	7/2004	Kay	D14/223
D515,073	S *	2/2006	Kay	D14/223
D541,255	S *	4/2007	Taylor et al.	D14/205
D585,871	S *	2/2009	Lee	D14/205
D588,098	S *	3/2009	Kurihara	D14/205
D588,100	S *	3/2009	Densho et al.	D14/205
D591,263	S *	4/2009	Shimizu	D14/205

* cited by examiner

Primary Examiner—Paula Greene

(74) *Attorney, Agent, or Firm*—Manabu Kansesaka

(57) **CLAIM**

The ornamental design for a headphone, as shown and described.

DESCRIPTION

FIG. 1 is a perspective view of a headphone showing my new design;

FIG. 2 is a front view thereof;

FIG. 3 is a rear view thereof;

FIG. 4 is a top plan view thereof;

FIG. 5 is a bottom view thereof;

FIG. 6 is a right side view thereof; and,

FIG. 7 is a left side view thereof.

1 Claim, 7 Drawing Sheets

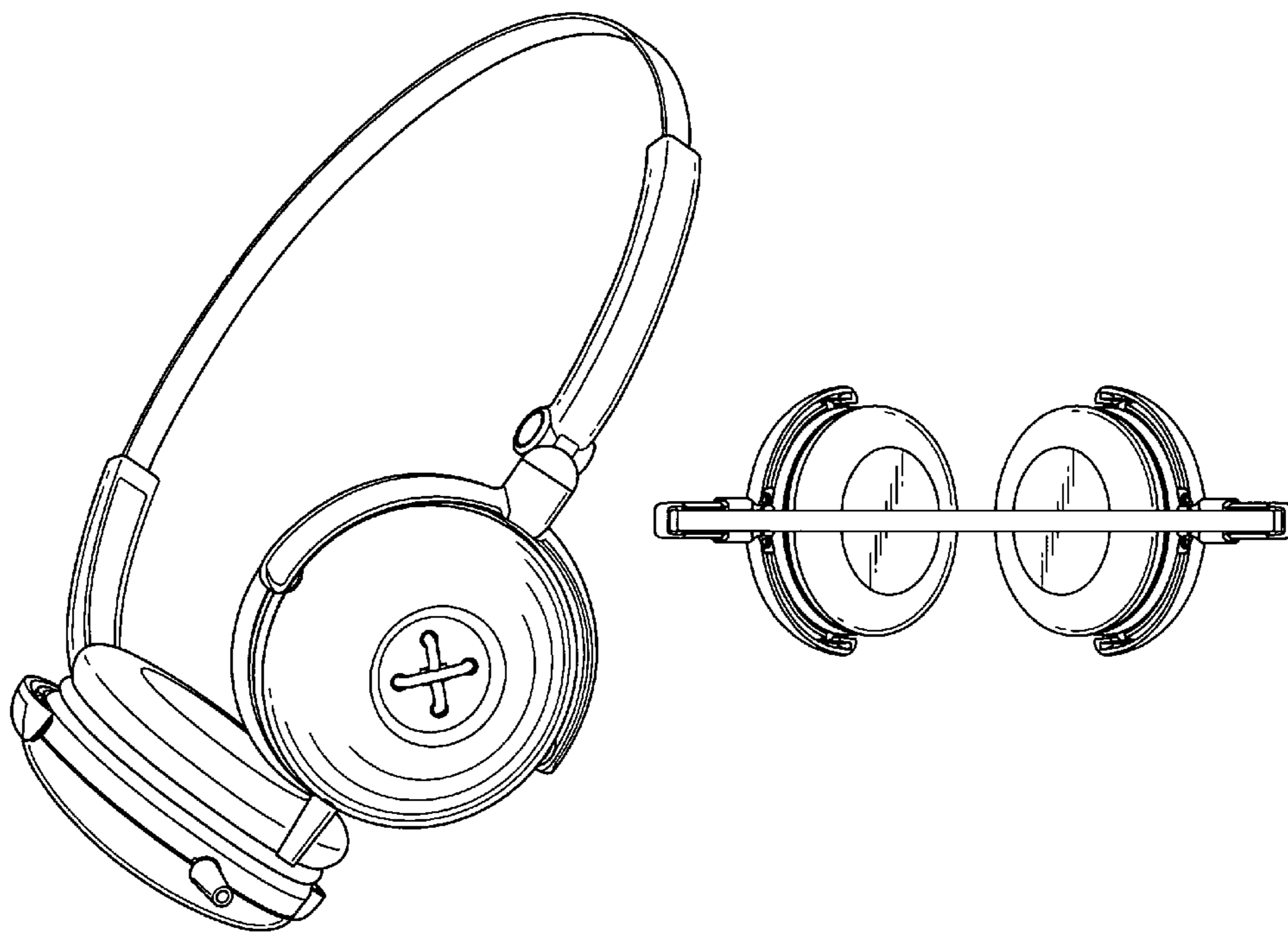


FIG. 1



FIG. 2



FIG. 3



FIG. 4

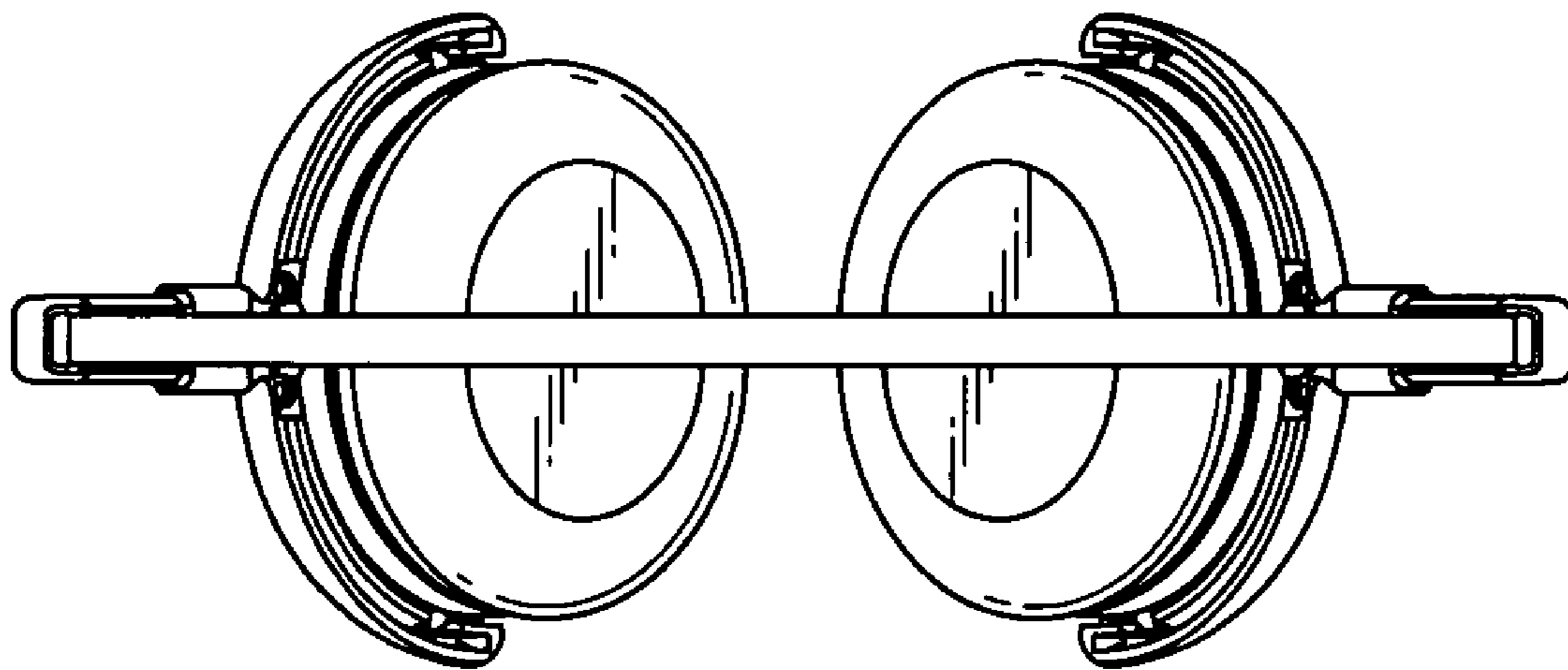


FIG. 5

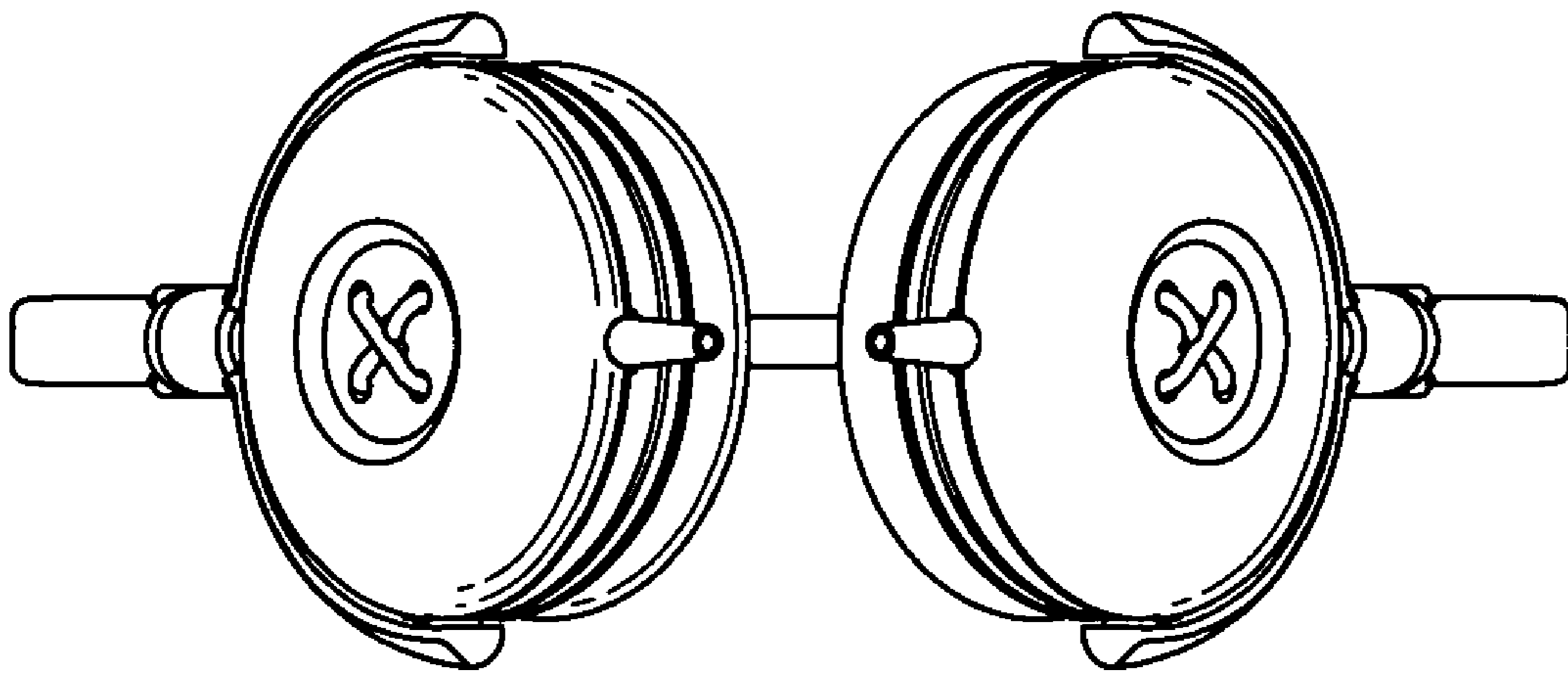


FIG. 6

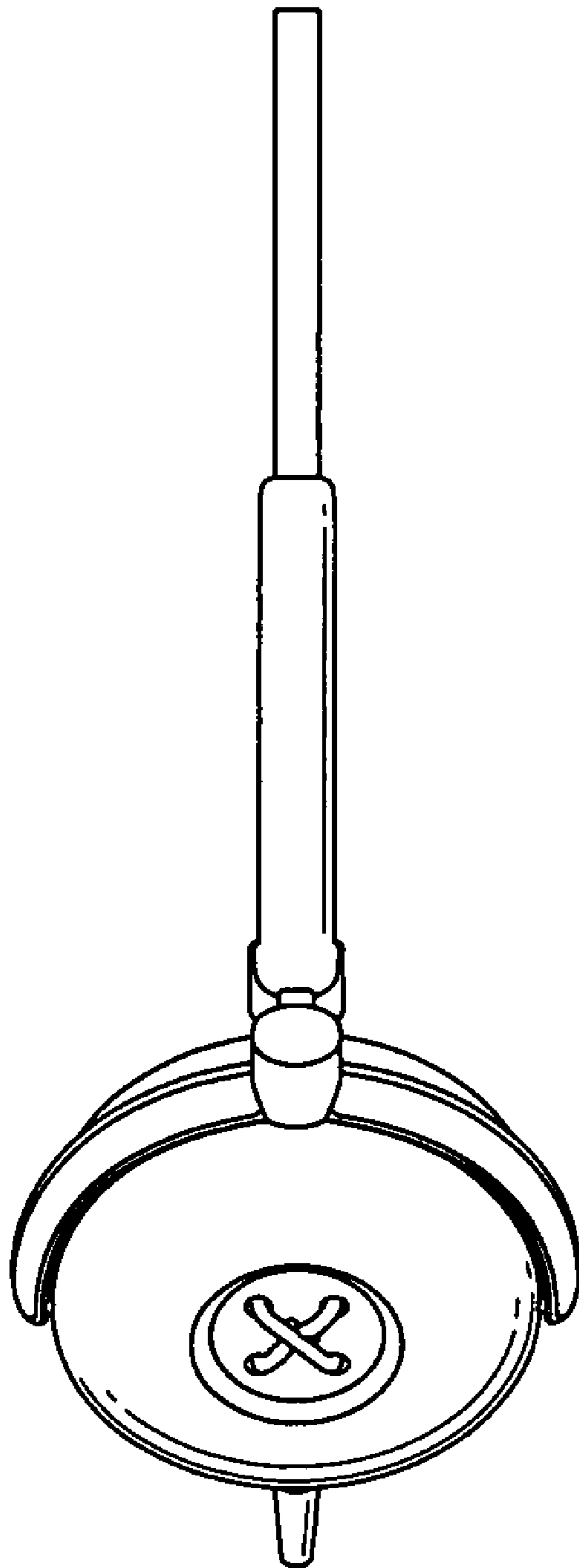


FIG. 7

