



US00D599777S

(12) **United States Design Patent**  
**Yuyama**

(10) **Patent No.:** **US D599,777 S**  
(45) **Date of Patent:** **\*\* Sep. 8, 2009**

(54) **HEADPHONE**

(75) Inventor: **Yasuo Yuyama**, Tokyo (JP)

(73) Assignee: **Sony Corporation**, Tokyo (JP)

(\*\*) Term: **14 Years**

(21) Appl. No.: **29/300,387**

(22) Filed: **Mar. 20, 2008**

(30) **Foreign Application Priority Data**

Nov. 2, 2007 (JP) ..... D2007-030404

(51) **LOC (9) Cl.** ..... **14-01**

(52) **U.S. Cl.** ..... **D14/205**

(58) **Field of Classification Search** ..... D14/205,  
D14/206, 223, 142, 167, 168, 188, 192, 218,  
D14/249, 225; 181/129, 130; 381/322, 374,  
381/380, 381, 385; 379/420.01, 420.02,  
379/420.03, 420.04, 430, 431; D24/174;  
351/158

See application file for complete search history.

(56) **References Cited**

**U.S. PATENT DOCUMENTS**

2,566,313 A \* 9/1951 Cates ..... 181/22  
4,006,321 A \* 2/1977 Carlson ..... 381/346

(Continued)

**FOREIGN PATENT DOCUMENTS**

JP D551683 S 4/1981  
JP D1084542 S 9/2000

(Continued)

**OTHER PUBLICATIONS**

Catalog "Sport line sound is your power, MX 75, PMX 70", 1 sheet,  
Sennheiser (2008).

(Continued)

*Primary Examiner*—Paula Greene

(74) *Attorney, Agent, or Firm*—Rader, Fishman, Grauer,  
PLLC

(57) **CLAIM**

The ornamental design for a headphone, as shown and  
described.

**DESCRIPTION**

FIG. 1 is a perspective view of a headphone showing my new  
design in an open position;

FIG. 2 is a front elevational view thereof;

FIG. 3 is a rear elevational view thereof;

FIG. 4 is a top plan view thereof;

FIG. 5 is a bottom plan view thereof;

FIG. 6 is a right side elevational view thereof; and

FIG. 7 is a left side elevational view thereof.

FIG. 8 is a bottom perspective view of the headphone of FIG.  
1 in a closed position;

FIG. 9 is an opposite side end elevational view of FIG. 8  
thereof;

FIG. 10 is a rear elevational view thereof;

FIG. 11 is a top plan view thereof;

FIG. 12 is a bottom plan view thereof;

FIG. 13 is a right side elevational view thereof;

FIG. 14 is a left side elevational view thereof;

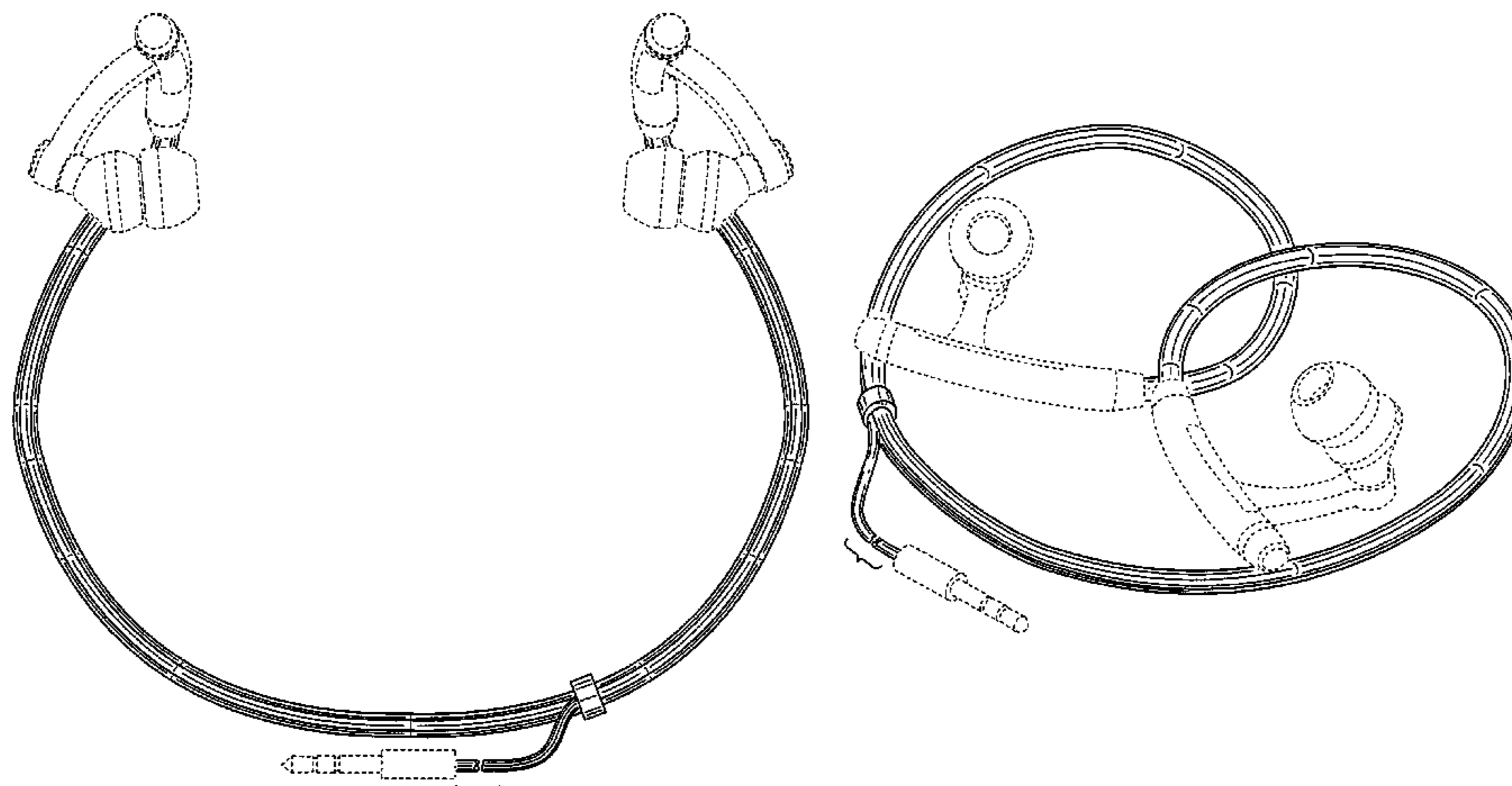
FIG. 15 is a perspective view of the headphone of FIG. 1 in an  
open position, wherein the cord is enclosed from the slit  
formed along the elongated connecting part; and,

FIG. 16 is a perspective view of a headphone of FIG. 1 in an  
open position, wherein the cord is extracted from the slit  
formed along the elongated connecting part.

The portions indicated in broken lines are for illustrative  
purposes only and form no part of the claimed design.

The broken away lines in the drawing disclosure indicate  
indeterminate length of the cable connected to the headphone,  
which is not claimed.

**1 Claim, 16 Drawing Sheets**



# US D599,777 S

Page 2

## U.S. PATENT DOCUMENTS

4,646,872 A \* 3/1987 Kamon et al. .... 181/129  
D311,007 S \* 10/1990 Daido ..... D14/205  
D318,864 S \* 8/1991 Daido et al. .... D14/205  
5,164,987 A \* 11/1992 Raven ..... 381/309  
D350,961 S 9/1994 Nakamura  
D357,921 S 5/1995 Ming-Ching  
D368,716 S 4/1996 Shudo  
5,625,171 A \* 4/1997 Marshall ..... 181/130  
5,761,298 A \* 6/1998 Davis et al. .... 379/430  
D399,206 S 10/1998 Yasutomi et al.  
D443,261 S 6/2001 Yuyama  
D452,491 S 12/2001 Sato  
D453,015 S 1/2002 Yuyama  
6,356,644 B1 \* 3/2002 Pollak ..... 381/371  
D457,515 S 5/2002 Masamitsu et al.  
6,445,799 B1 \* 9/2002 Taenzer et al. .... 381/71.6  
D464,040 S \* 10/2002 Beraut et al. .... D14/225  
D469,753 S \* 2/2003 Andre et al. .... D14/205  
D471,176 S 3/2003 Suzuki  
6,690,808 B2 \* 2/2004 Urwyler ..... 381/381  
D504,672 S 5/2005 Hirano  
D505,411 S 5/2005 Sakai  
D515,069 S 2/2006 Naito  
D517,045 S 3/2006 Komiyama  
7,073,905 B2 \* 7/2006 Da Pra' ..... 351/158  
7,120,268 B2 \* 10/2006 Murozaki et al. .... 381/381  
7,184,565 B2 \* 2/2007 Ohta ..... 381/384  
7,231,056 B2 \* 6/2007 Chen ..... 381/381  
D546,321 S \* 7/2007 Kim ..... D14/223  
D587,678 S \* 3/2009 Yuyama ..... D14/205  
D587,679 S \* 3/2009 Komiyama ..... D14/205

D587,680 S \* 3/2009 Komiyama ..... D14/205  
D588,099 S \* 3/2009 Yuyama ..... D14/205  
D590,810 S \* 4/2009 Komiyama ..... D14/205

## FOREIGN PATENT DOCUMENTS

JP D1135300 S 3/2002  
JP D1183055 S 8/2003  
JP D1194938 S 1/2004  
JP D1231627 S 2/2005  
JP D1293193 S 2/2007

## OTHER PUBLICATIONS

Catalog "Mobile Phone Accessory DR-NX2SF" 1 sheet, Sony (2008).  
Catalog "Accessory MDR-NX3", 2 sheets, Sony (May 2007).  
Catalog "Sennheiser, Headphones for digital 2007 from Germany", 2 sheets, General Trade Co., Ltd. (2007).  
Web page "Condenser Microphone" [http://northern-america.beyerdynamic.com/n\\_c/en/home.html](http://northern-america.beyerdynamic.com/n_c/en/home.html), 2 sheets, Beyerdynamic (Feb. 2008).  
Web page "SX 10" [http://northern-america.beyerdynamic.com/en/consumer-products/products/trendline/mobile-headphones.html?tx-sbproductdatabase\\_pil%5...](http://northern-america.beyerdynamic.com/en/consumer-products/products/trendline/mobile-headphones.html?tx-sbproductdatabase_pil%5...), 2 sheets, Beyerdynamic (Feb. 2008).  
Web page "Stereophones", <http://www.koss.com/>, 2 sheets, Koss Corporation (Feb. 2008).  
Web page "Stereophones SRP", <http://www.koss.com.koss/kossweb.nsf/p?openform&pc bh P16>, 3 sheets, Koss Corporation (Feb. 2008).  
Web page "ASHIDAVOX" <http://www.ashida.co.jp/index.html>, 3 sheets, Ashida Sound Co., Ltd. (1999-2007).

\* cited by examiner

FIG.1

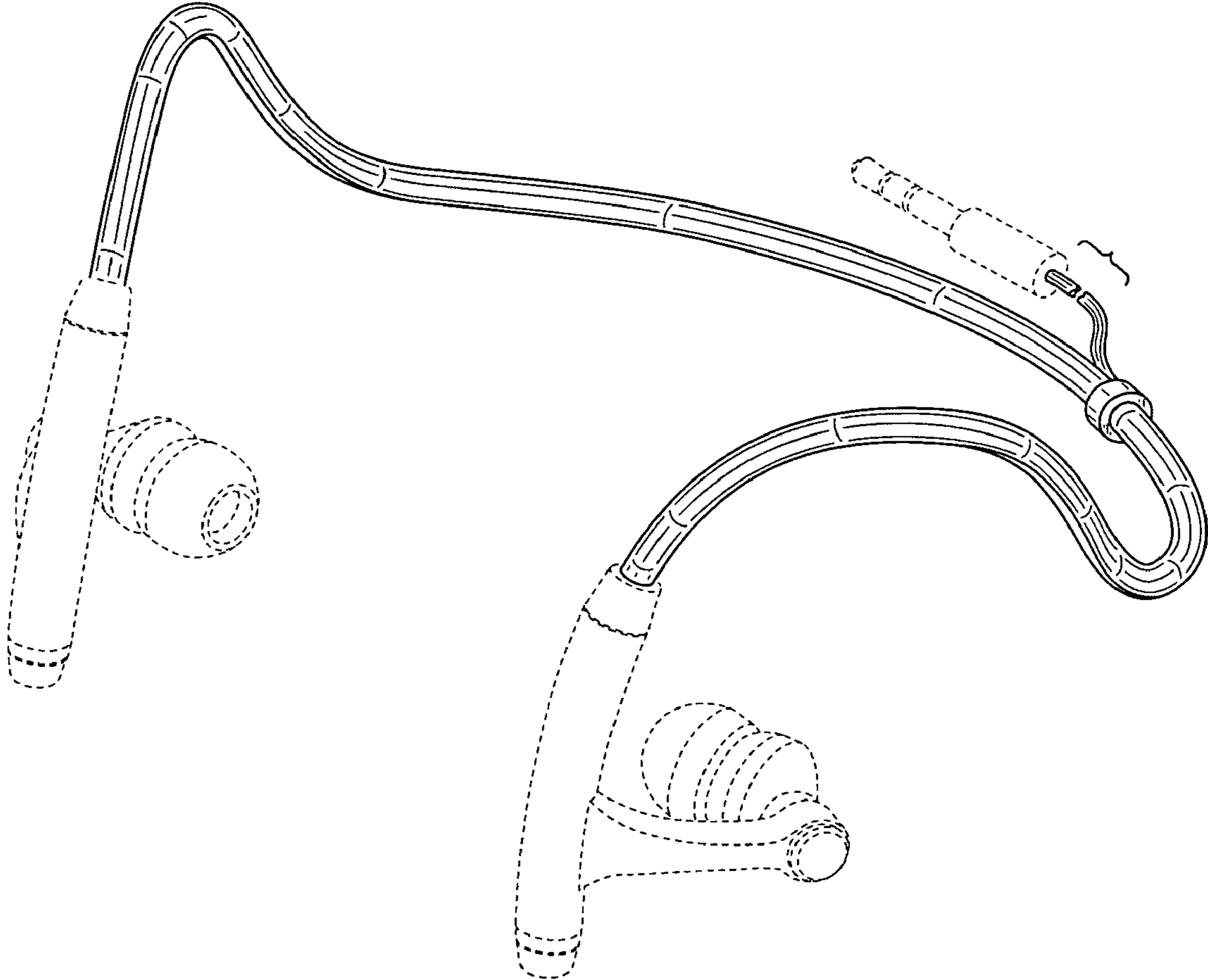


FIG.2

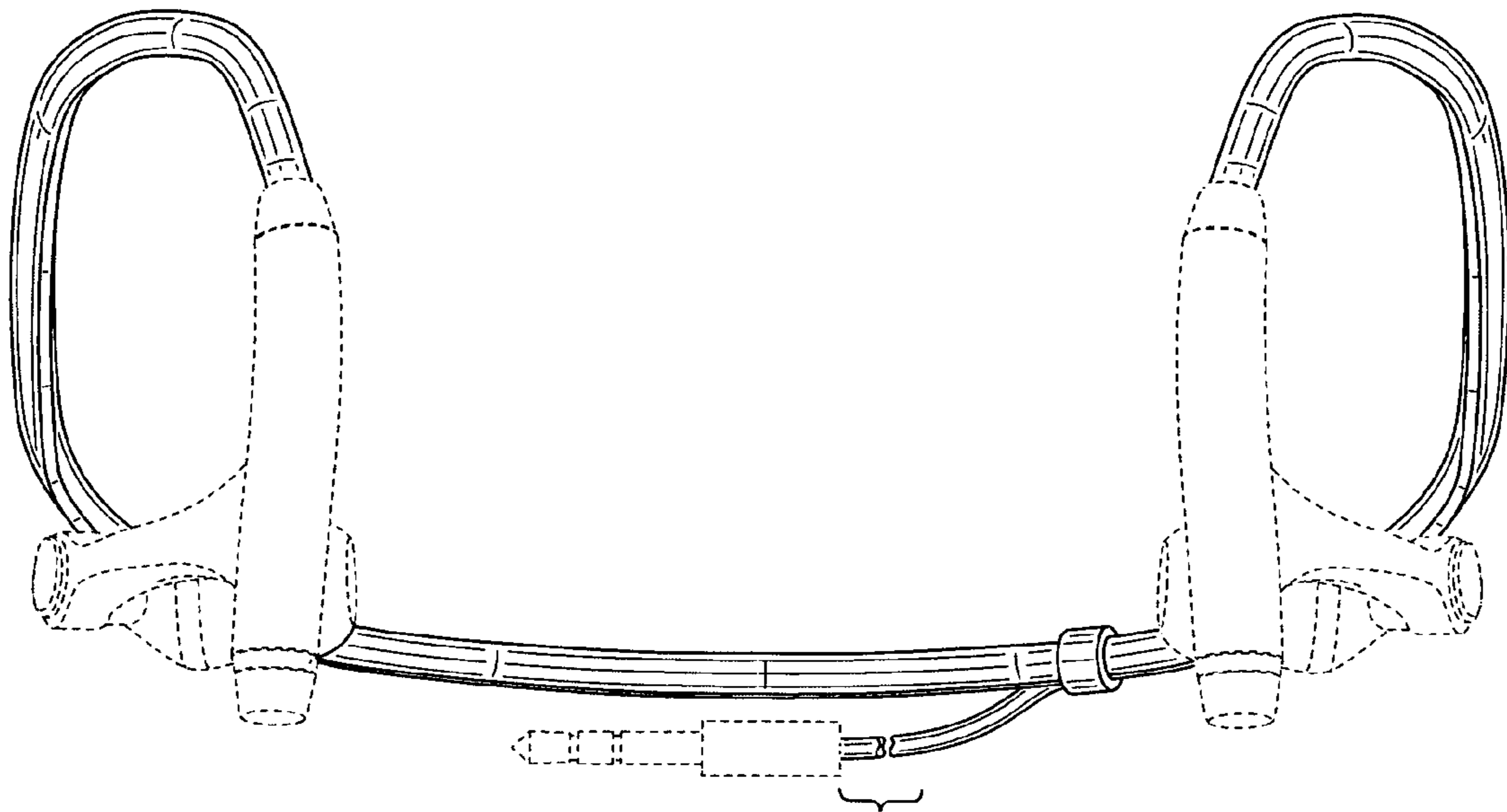




FIG.3

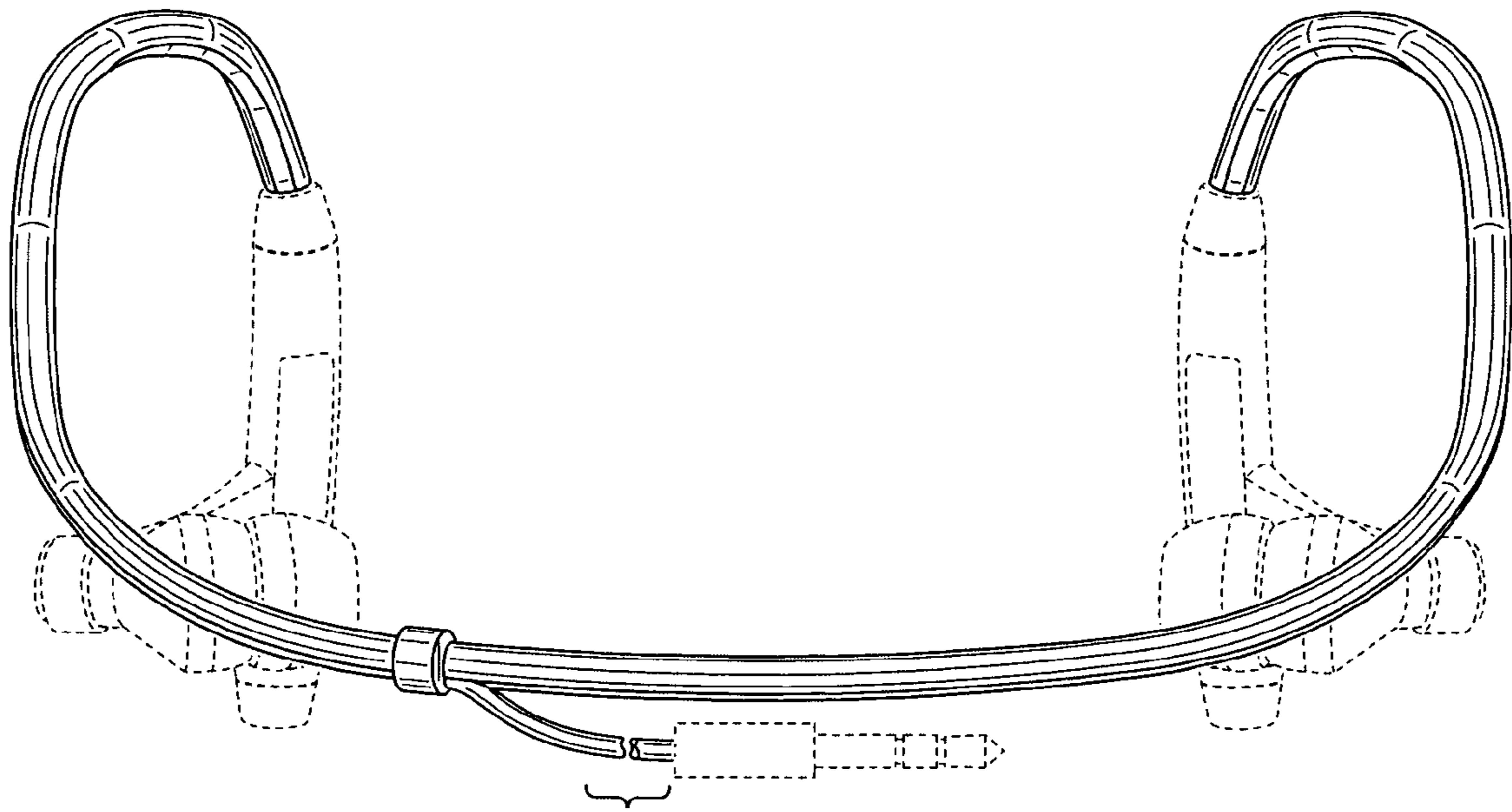


FIG.4

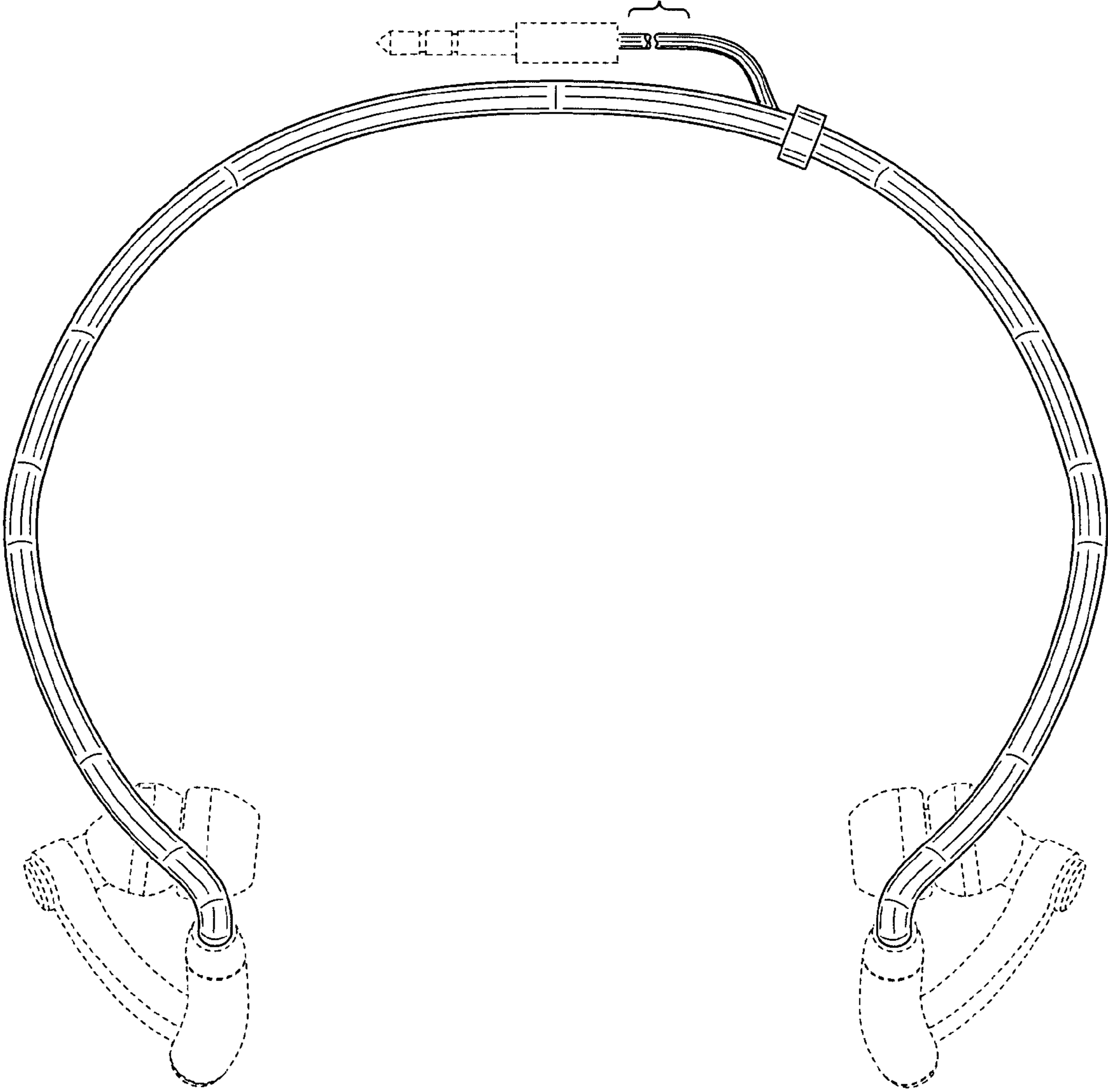


FIG.5

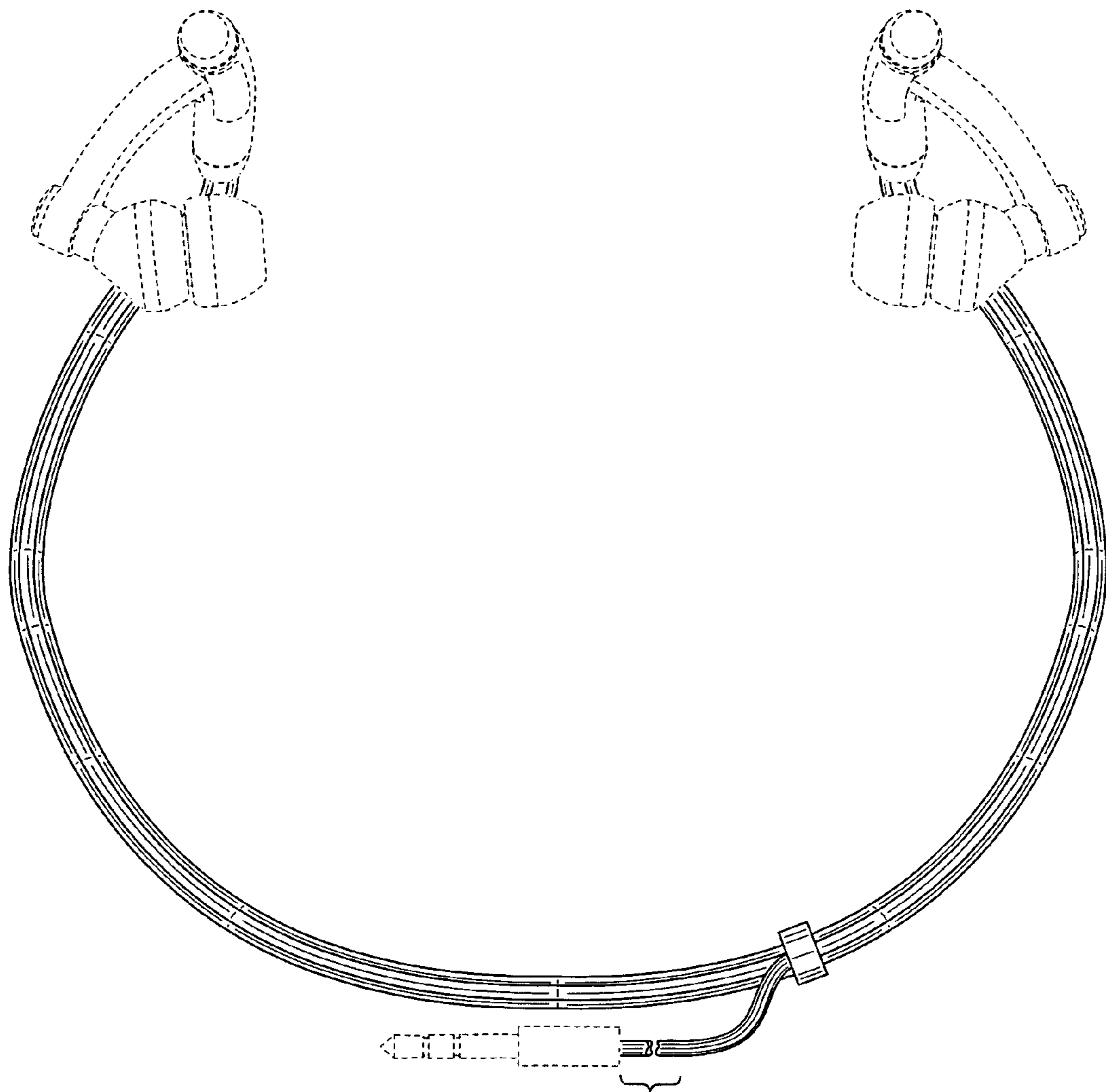


FIG.6

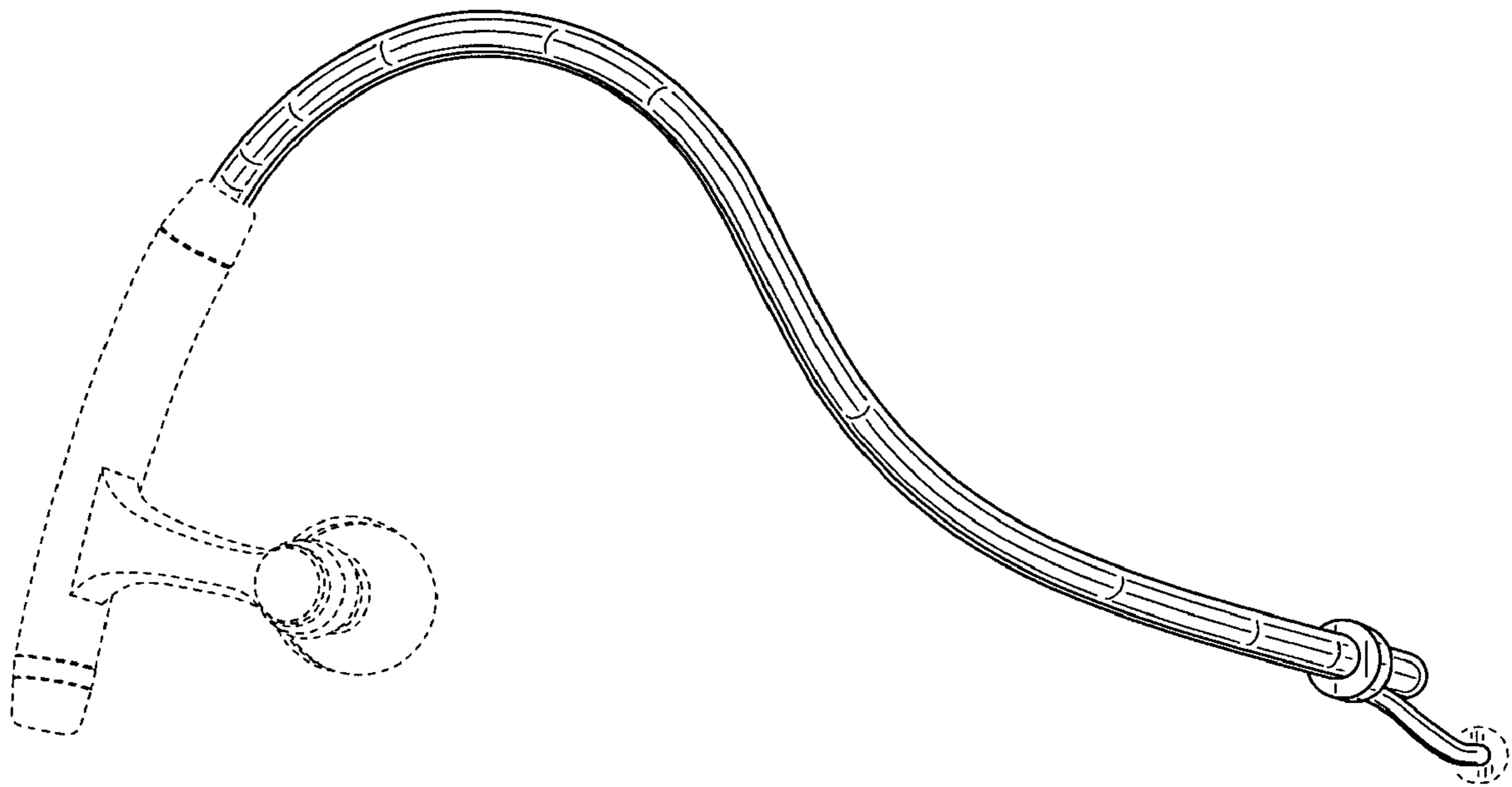




FIG.7

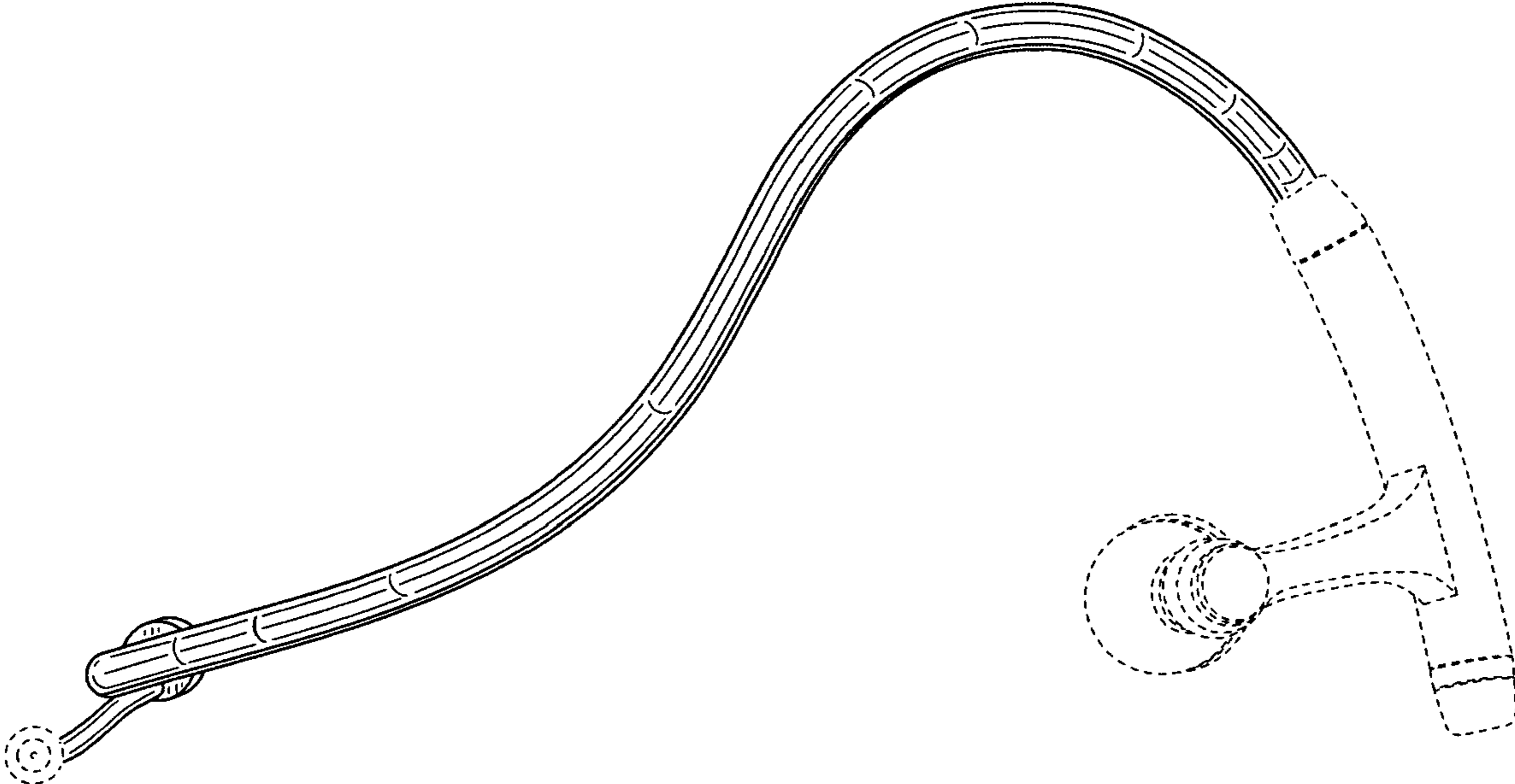


FIG.8

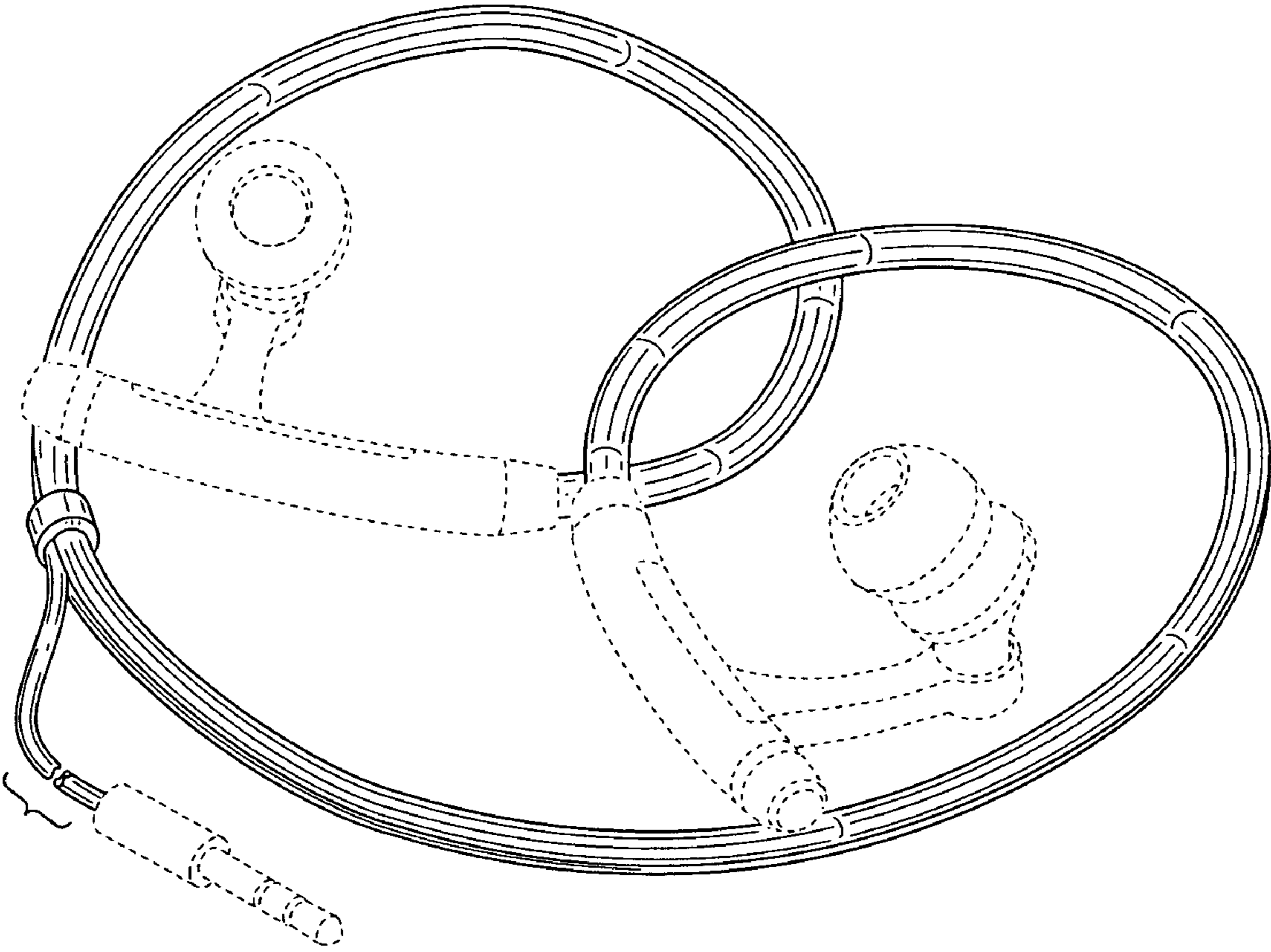


FIG.9

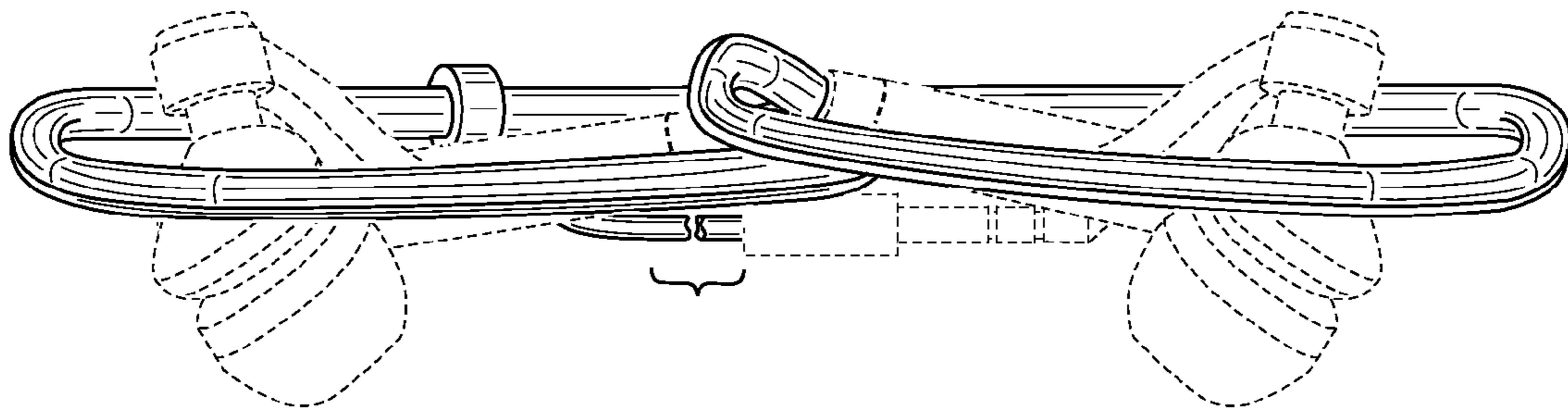


FIG.10

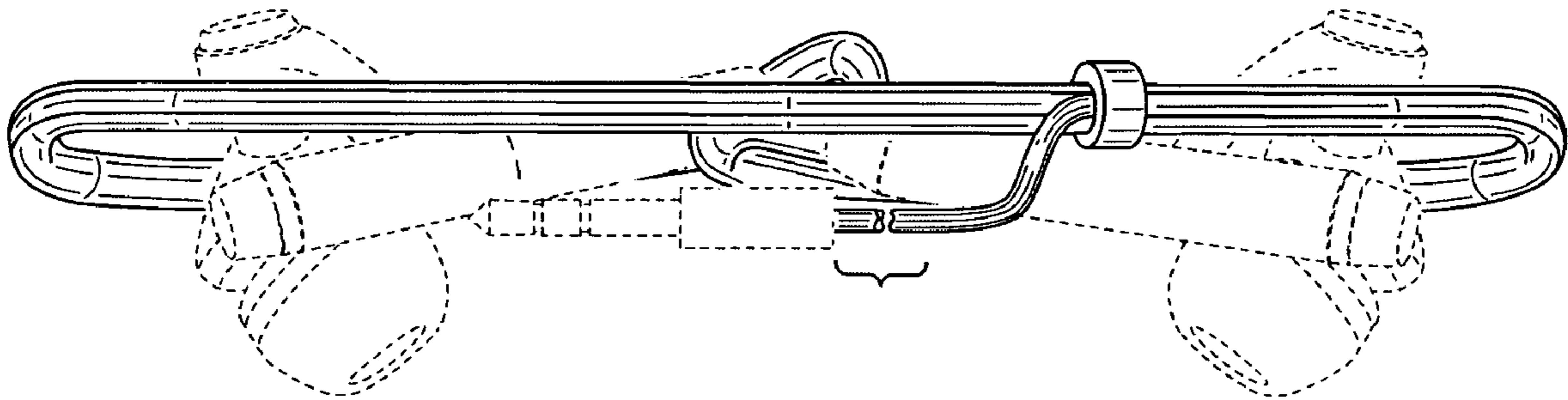


FIG.11

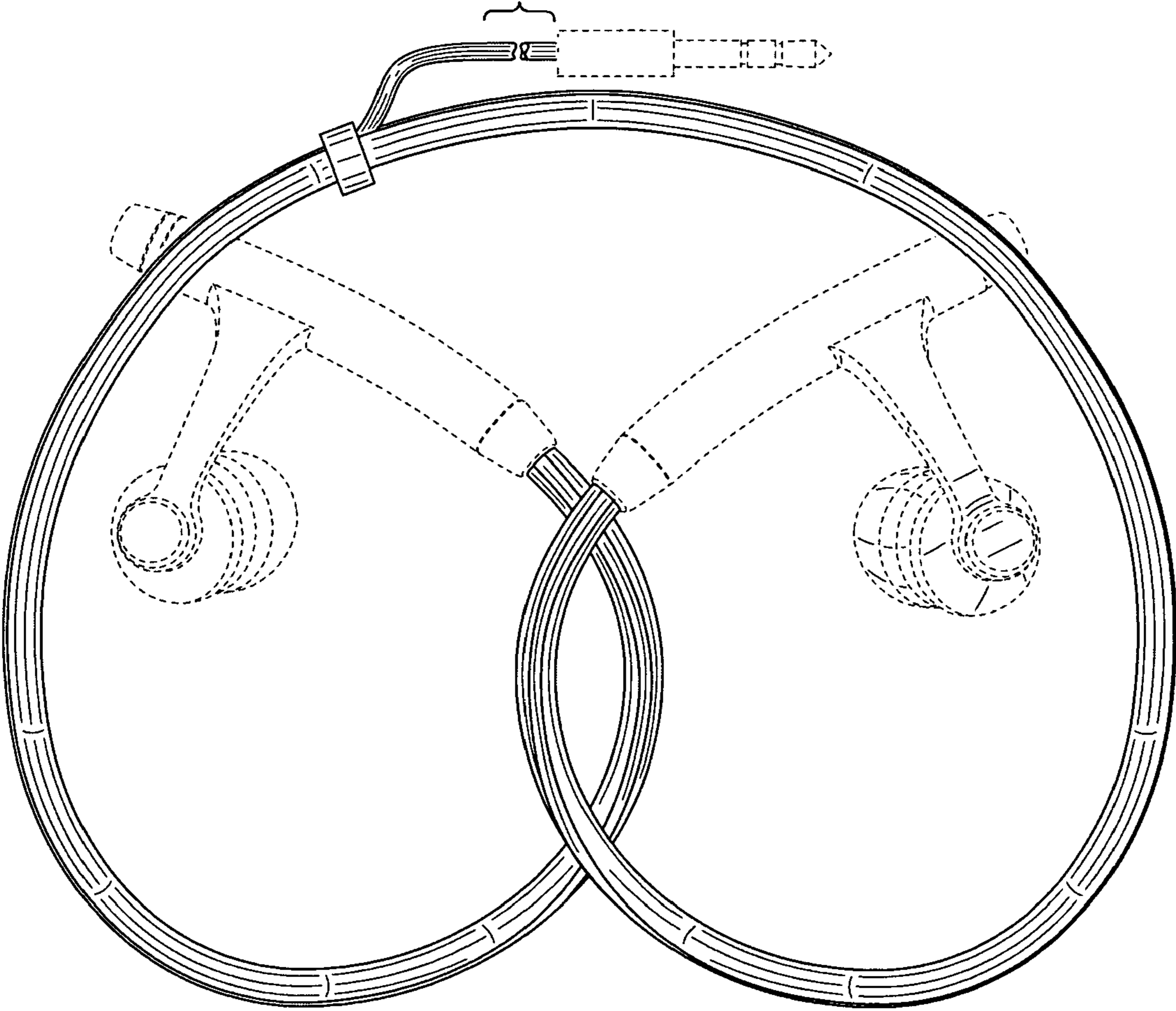




FIG.12

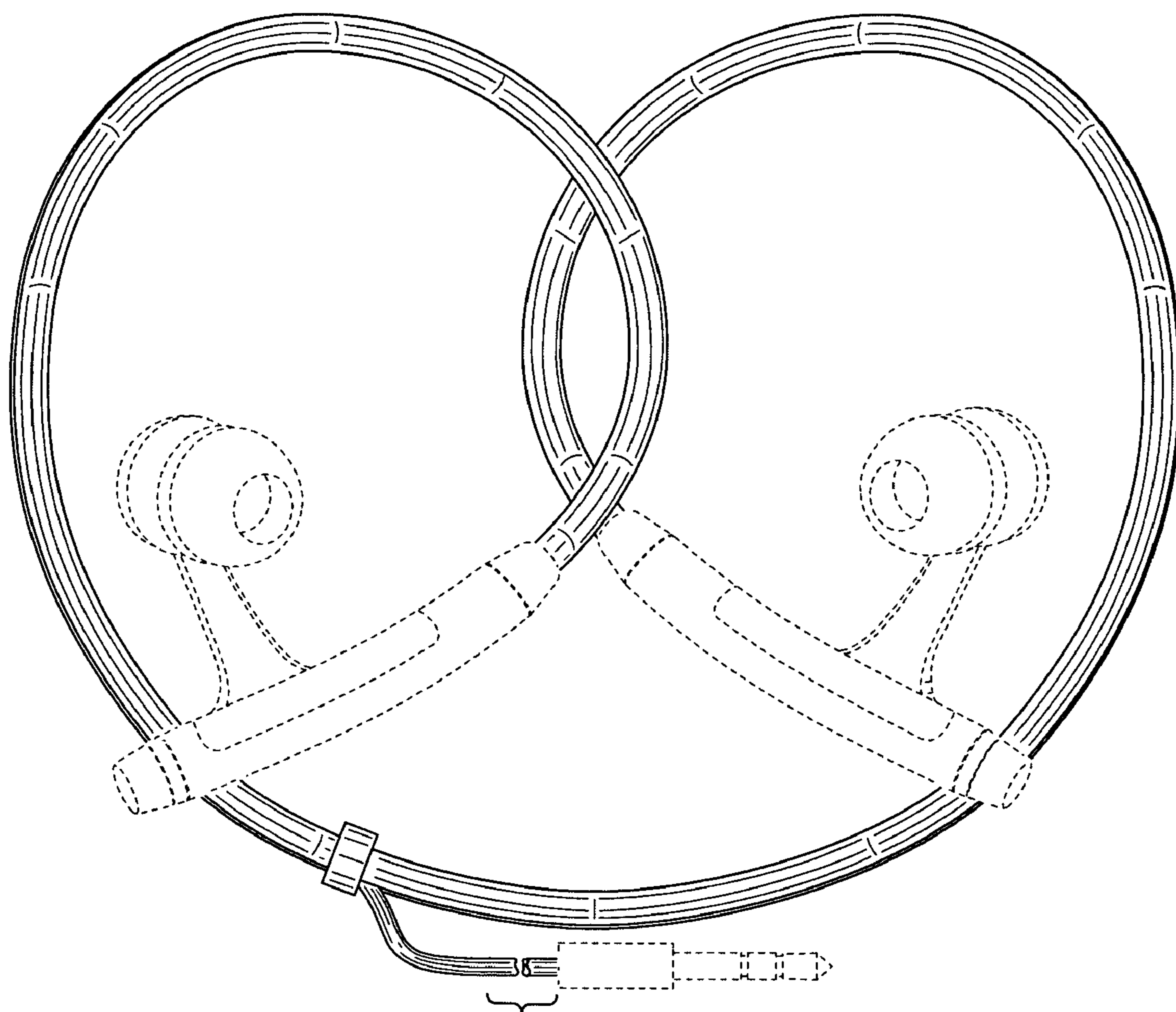


FIG.13

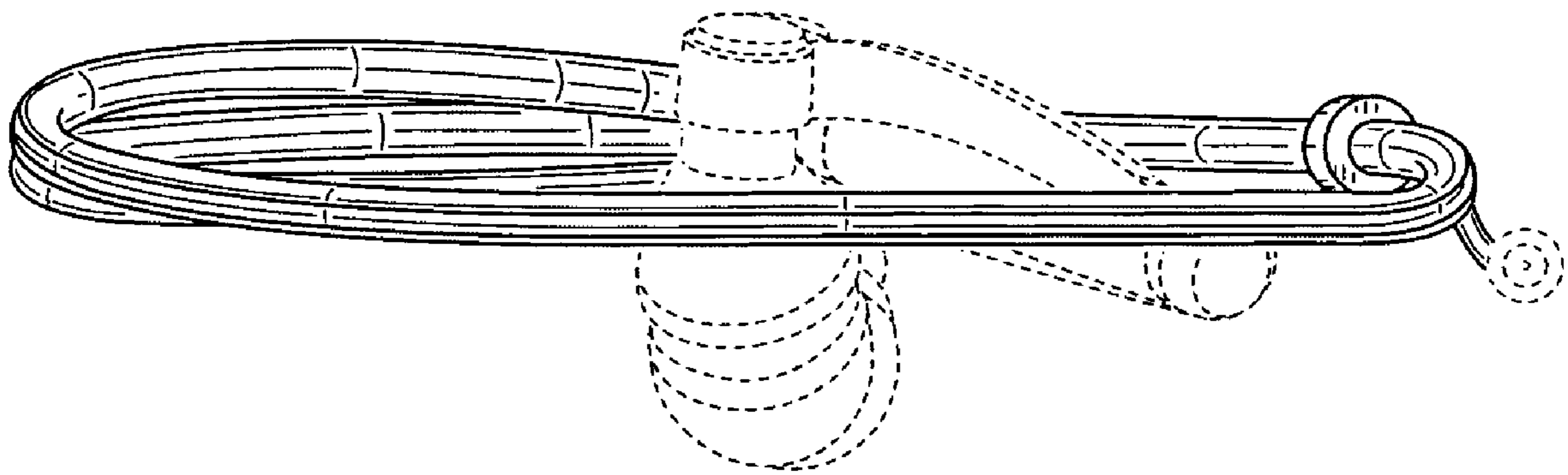


FIG.14

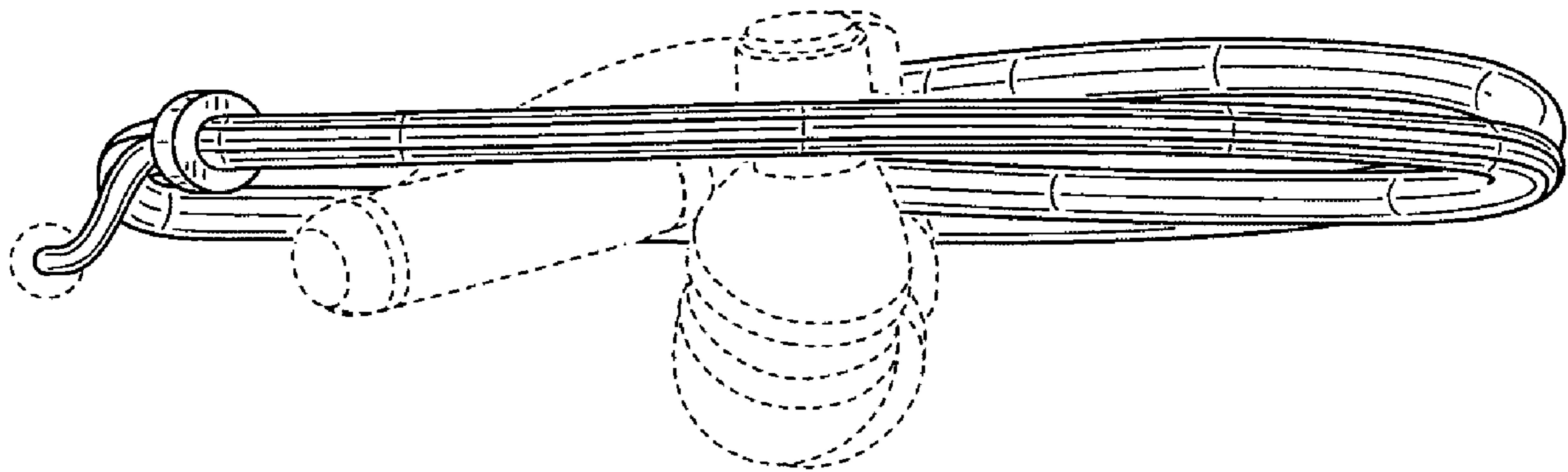
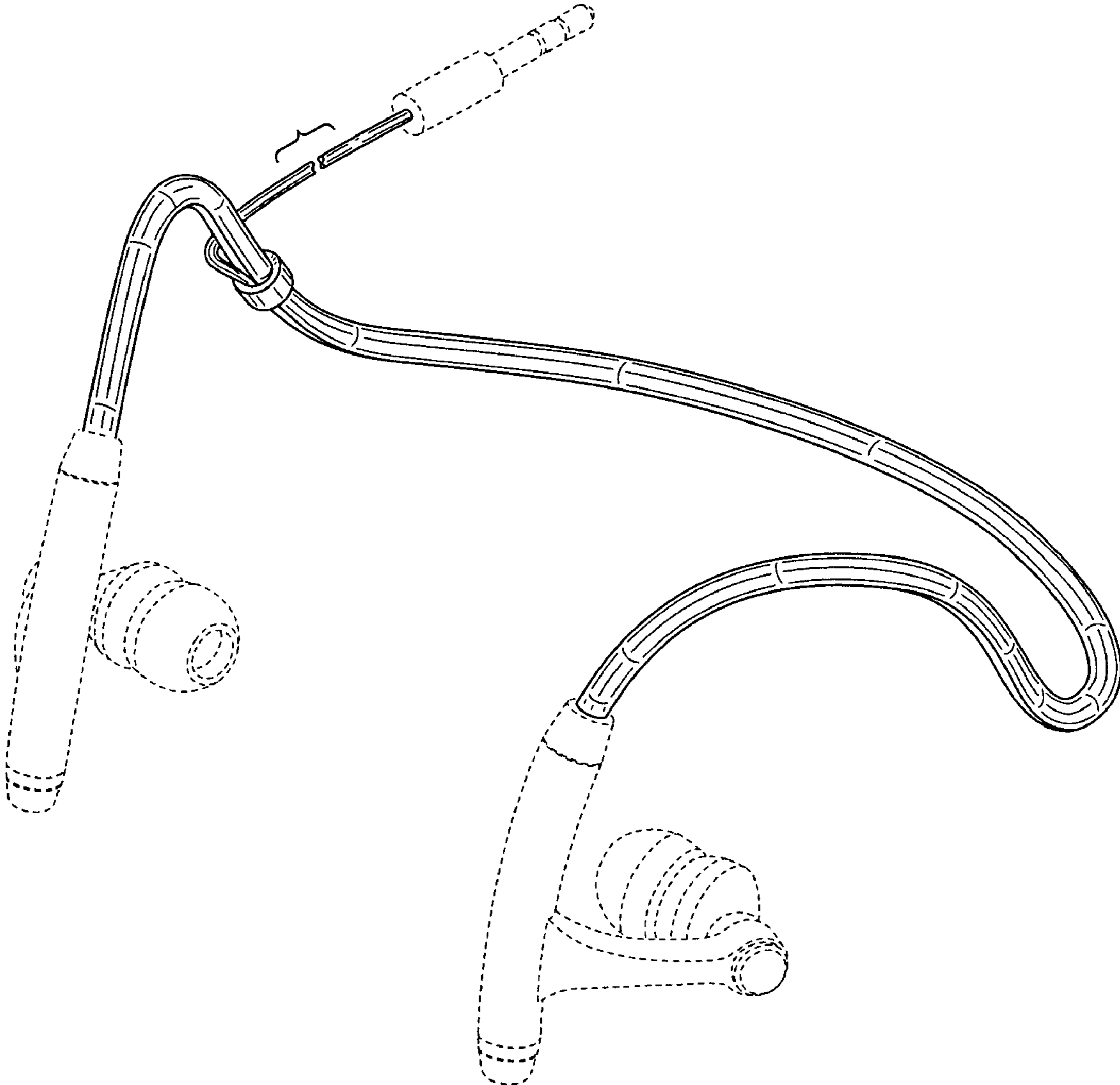


FIG.15



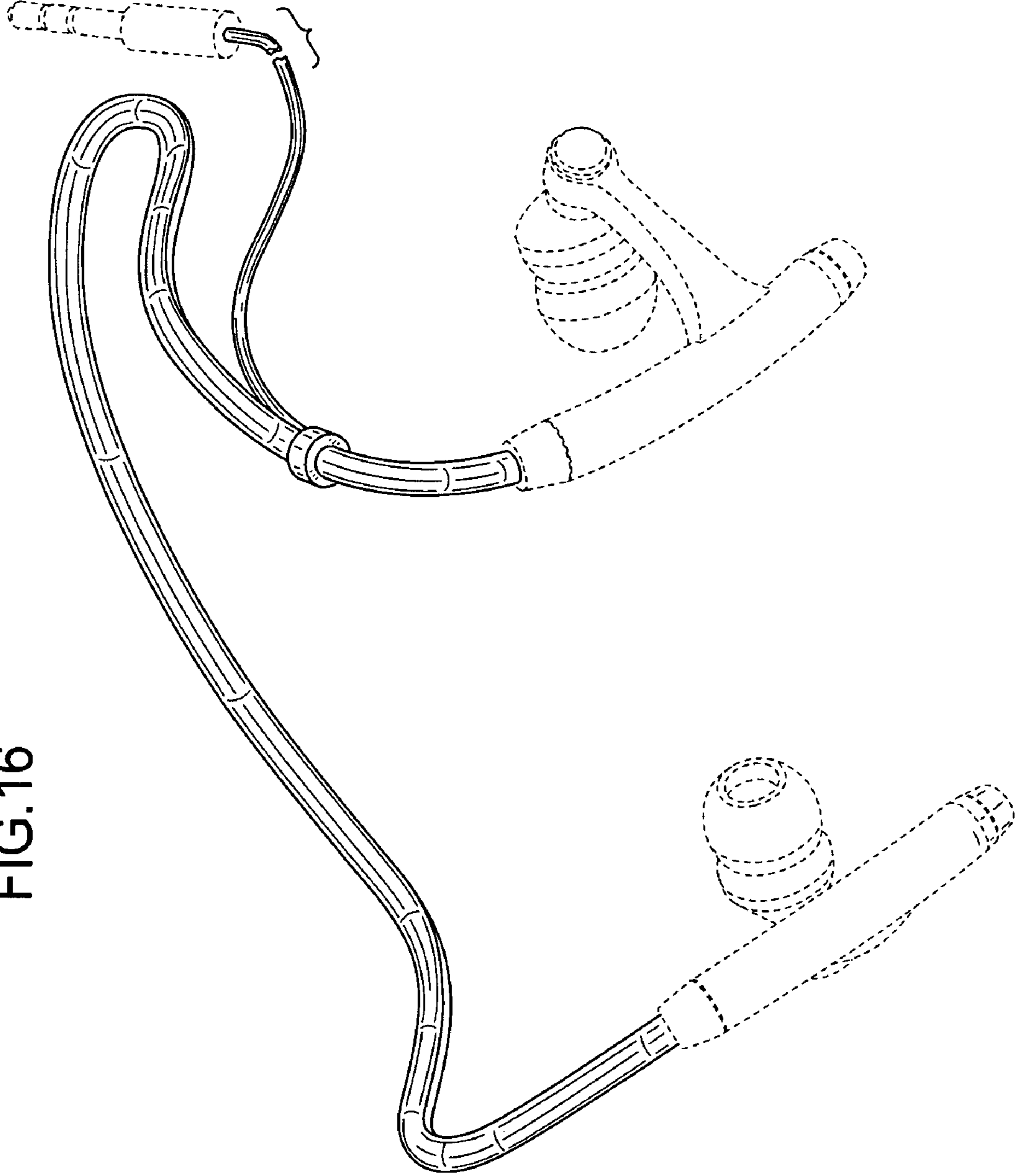


FIG. 16