



US00D599776S

(12) **United States Design Patent**  
**Nakagawa**

(10) **Patent No.:** **US D599,776 S**

(45) **Date of Patent:** **\*\* Sep. 8, 2009**

(54) **RADIO COMMUNICATION DEVICE**

(75) Inventor: **Masashi Nakagawa**, Osaka (JP)

(73) Assignee: **Icom Incorporated**, Osaka (JP)

(\*\*) Term: **14 Years**

(21) Appl. No.: **29/274,627**

(22) Filed: **May 10, 2007**

(30) **Foreign Application Priority Data**

Nov. 30, 2006 (JP) ..... 2006-032973

(51) **LOC (9) Cl.** ..... **14-03**

(52) **U.S. Cl.** ..... **D14/188; D14/137**

(58) **Field of Classification Search** ..... D14/137,  
D14/155, 168, 169, 188, 192-198, 204, 217,  
D14/257, 258, 265, 496; 455/344-351; 369/6-12  
See application file for complete search history.

(56) **References Cited**

**U.S. PATENT DOCUMENTS**

D248,473 S *	7/1978	Hamada	.....	D14/137
D250,815 S *	1/1979	Yanitz	.....	D14/137
D253,889 S *	1/1980	Taguchi et al.	.....	D14/192
D303,802 S *	10/1989	Culbertson	.....	D14/258
D313,993 S *	1/1991	Dickson	.....	D14/137
D314,572 S *	2/1991	Dickson	.....	D14/137
D327,262 S *	6/1992	Goatman	.....	D14/137
D331,406 S *	12/1992	Goatman	.....	D14/137
D361,995 S *	9/1995	Culbertson	.....	D14/137
D364,876 S *	12/1995	Tokiyama	.....	D14/258

D365,568 S *	12/1995	Tokiyama	.....	D14/258
D388,438 S *	12/1997	Tokiyama et al.	.....	D14/258
D391,255 S *	2/1998	Lindeman	.....	D14/157
D417,871 S *	12/1999	Hisatsune	.....	D14/188
D473,855 S *	4/2003	Escorcia et al.	.....	D14/188
D530,305 S *	10/2006	Kaner et al.	.....	D14/188
D531,163 S *	10/2006	Kaner et al.	.....	D14/188
D531,982 S *	11/2006	Akita	.....	D14/188

\* cited by examiner

*Primary Examiner*—Stella M Reid

*Assistant Examiner*—Keli L Hill

(74) *Attorney, Agent, or Firm*—Wenderoth, Lind & Ponack, L.L.P.

(57) **CLAIM**

The ornamental design for a radio communication device, as shown and described.

**DESCRIPTION**

FIG. 1 is a top view of a radio communication device, embodying my new design;

FIG. 2 is a back view thereof;

FIG. 3 is a bottom view thereof;

FIG. 4 is a front view thereof;

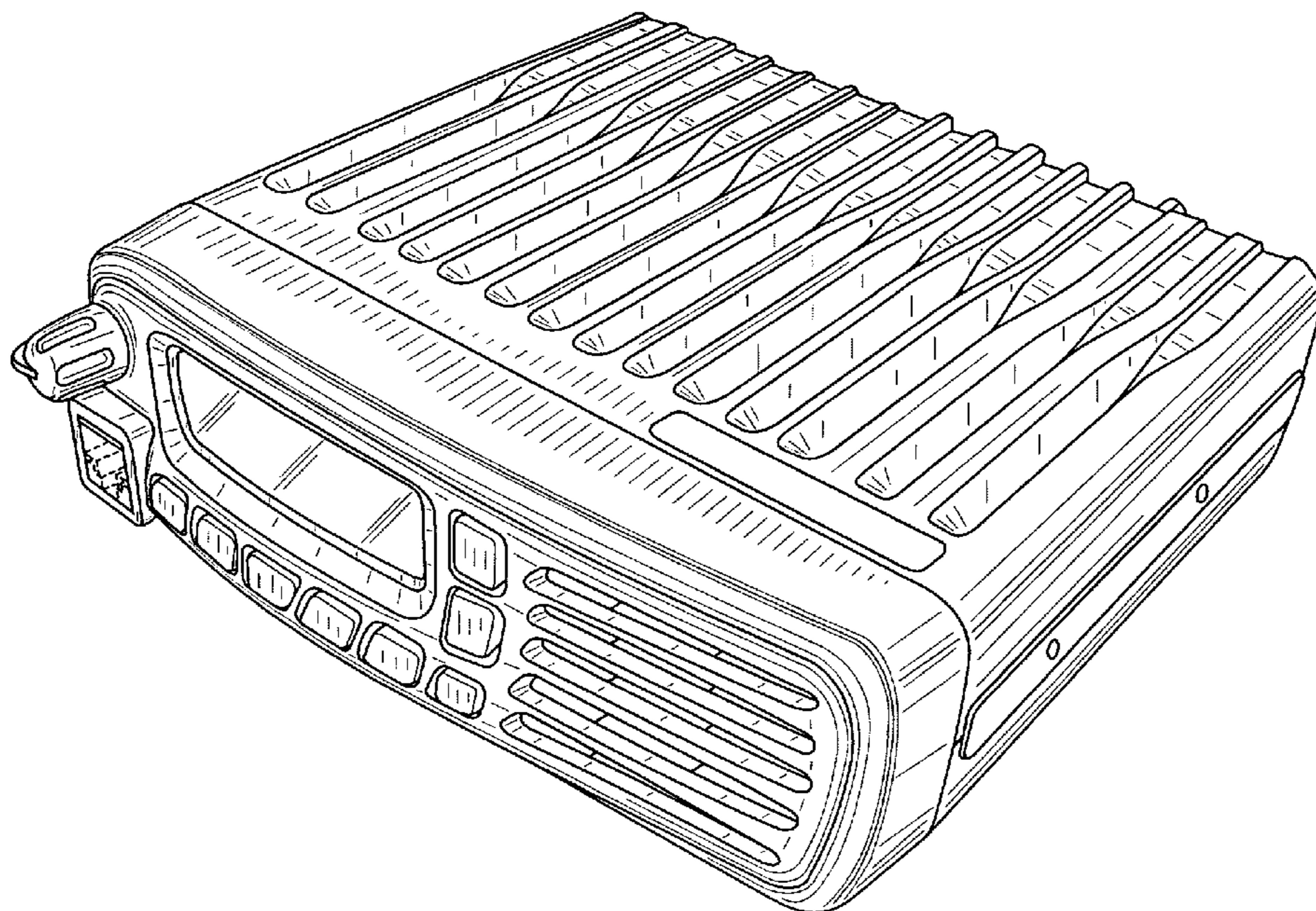
FIG. 5 is a left side view thereof;

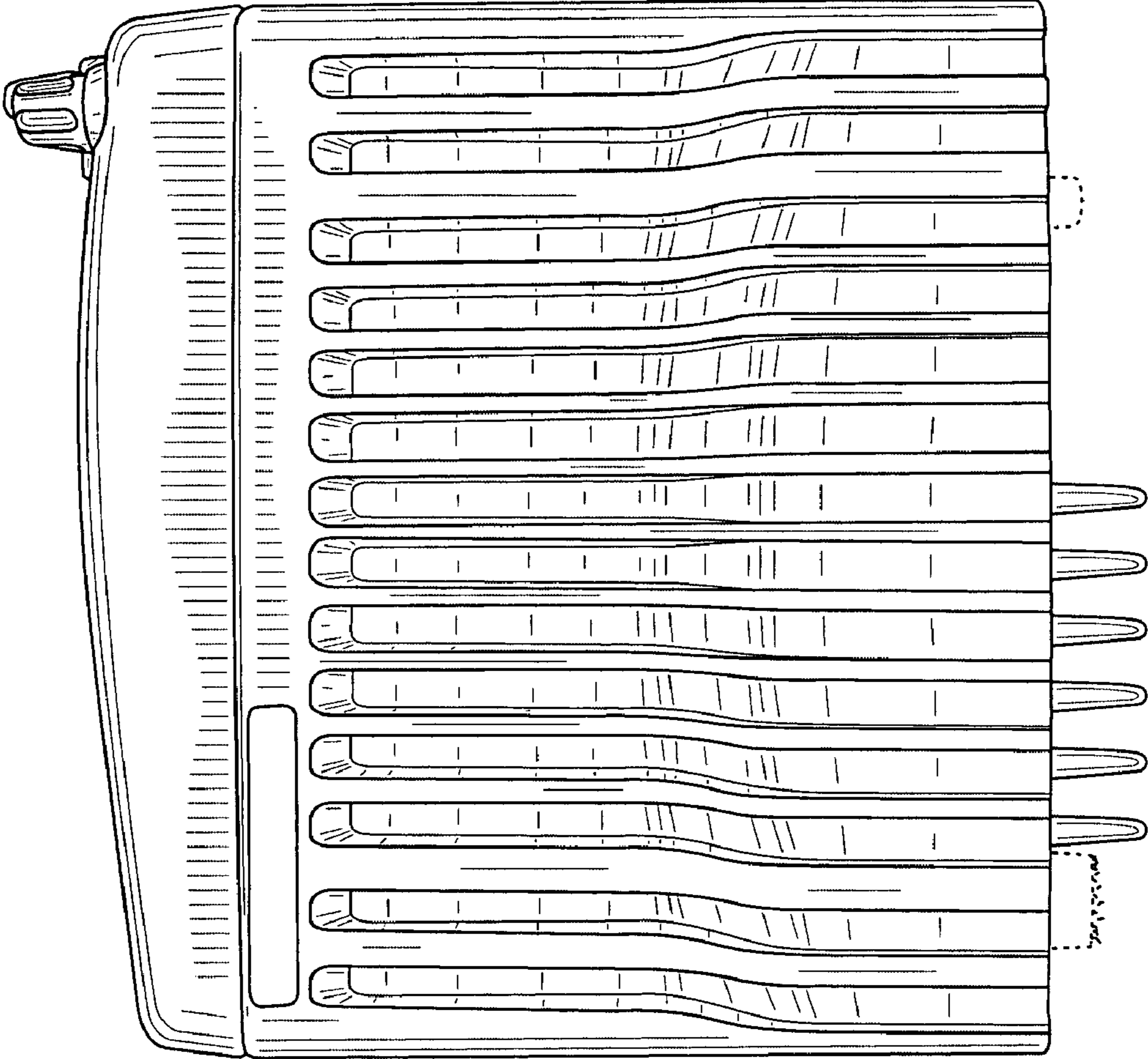
FIG. 6 is a perspective view thereof; and,

FIG. 7 is a right side view thereof.

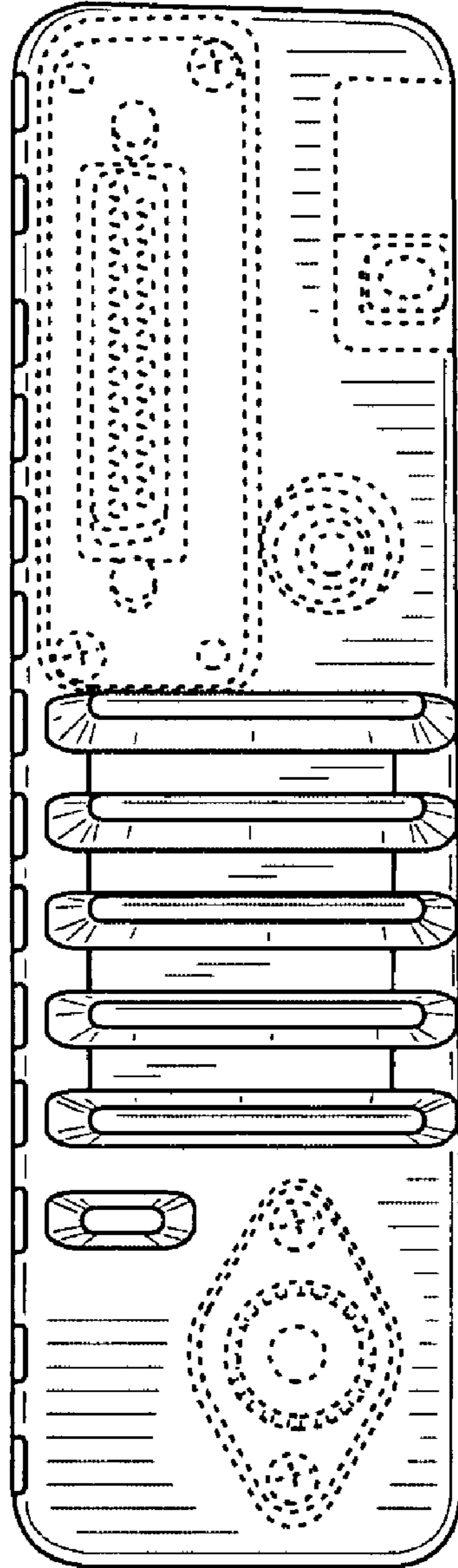
Portions of the radio communication device shown in broken lines form no part of the claimed design.

**1 Claim, 7 Drawing Sheets**

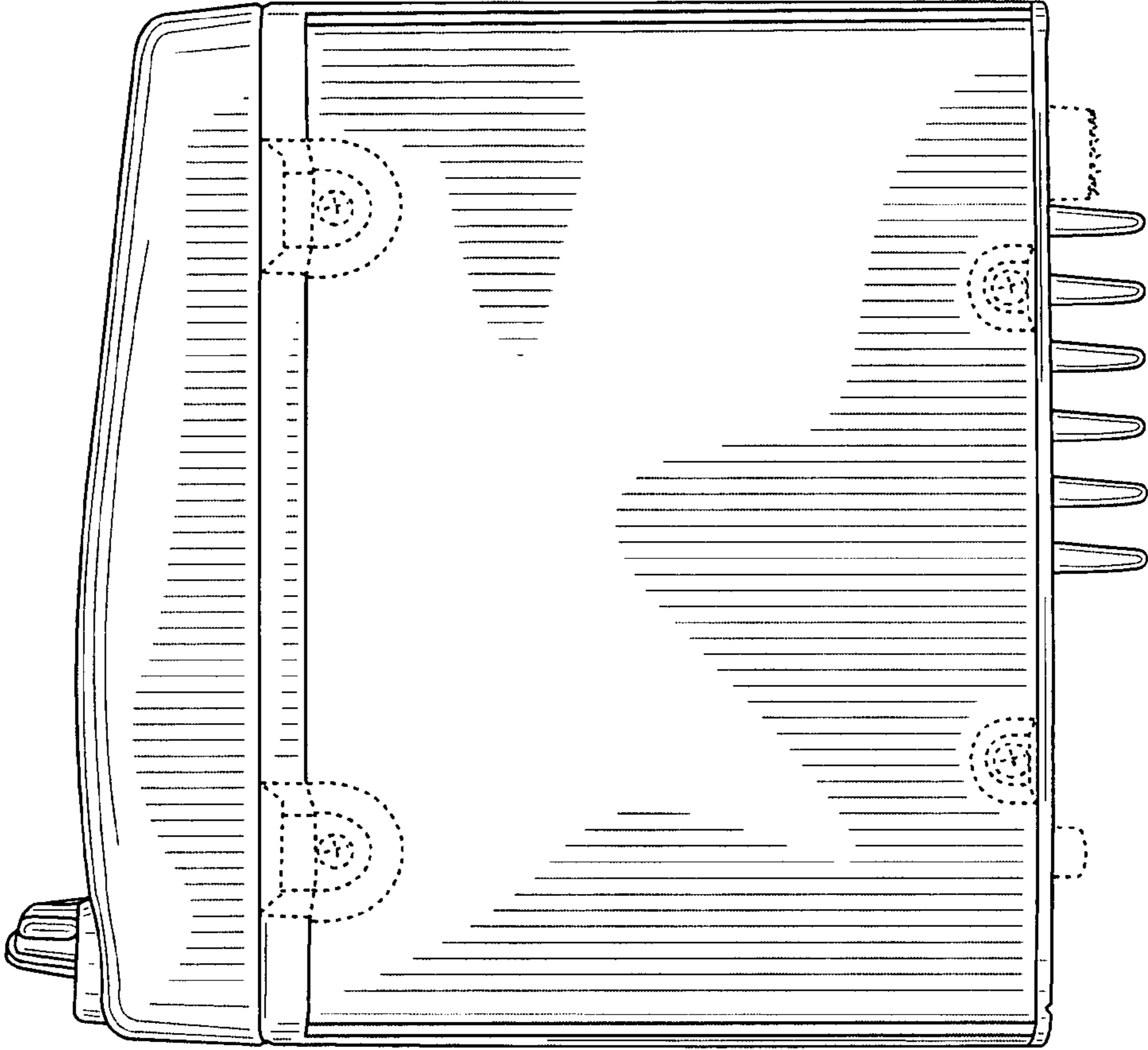




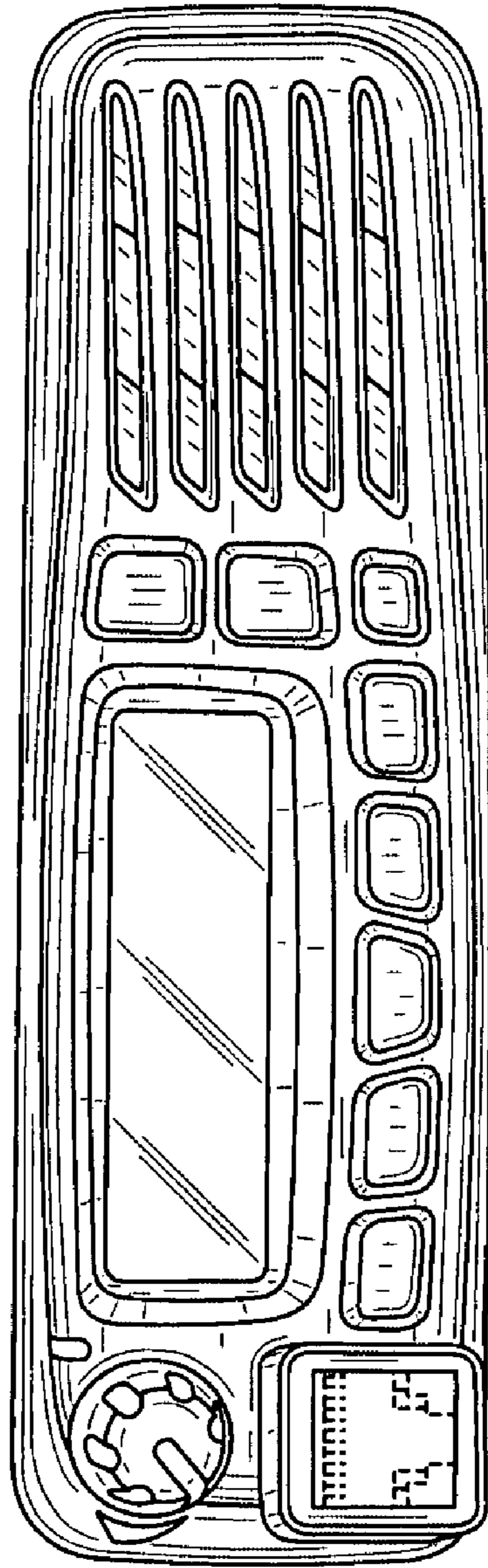
**FIG. 1**



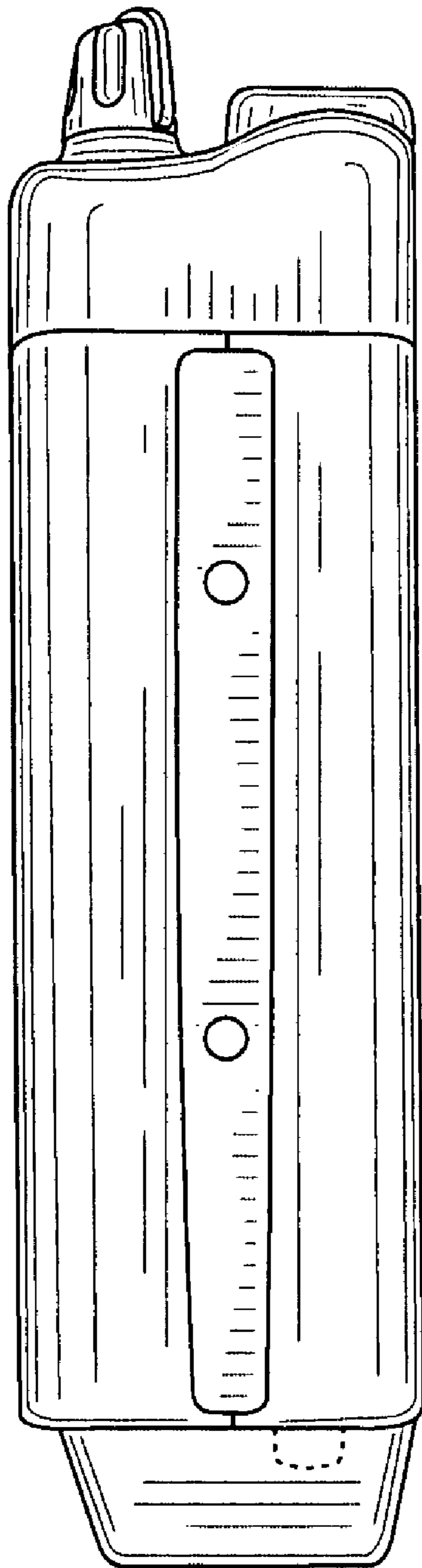
**FIG. 2**



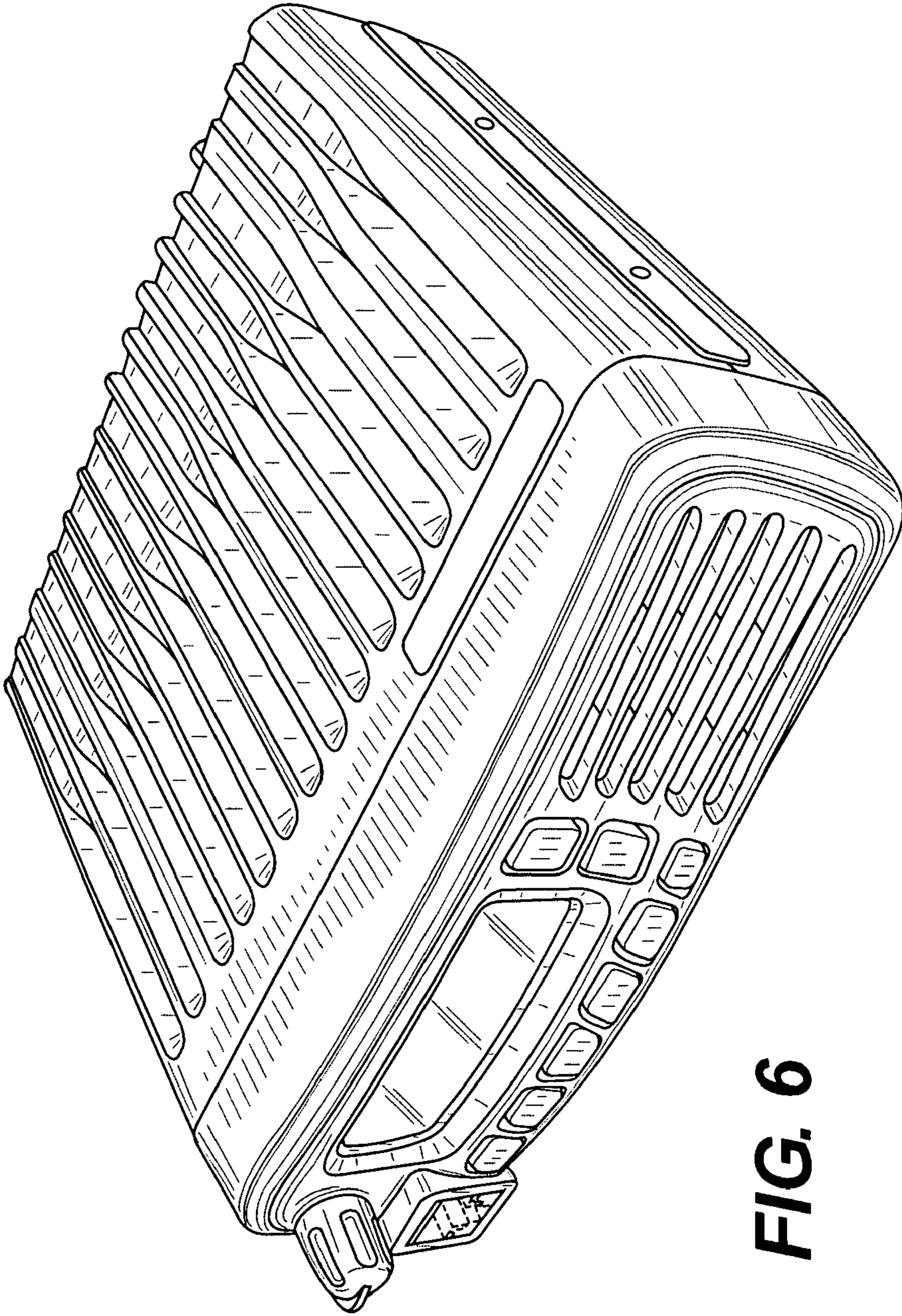
**FIG. 3**



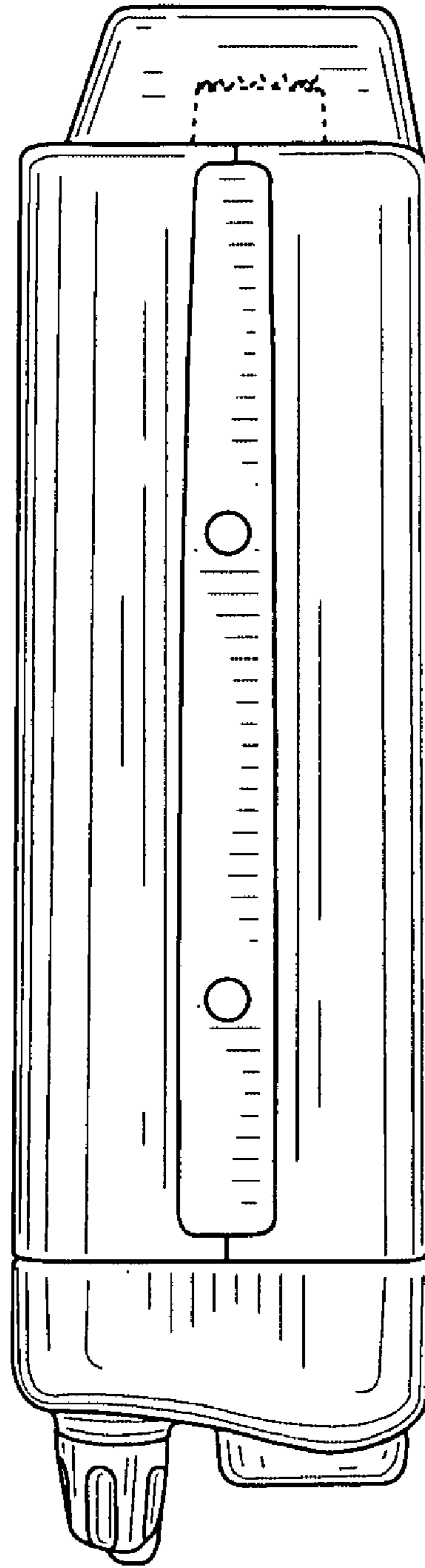
**FIG. 4**



**FIG. 5**



**FIG. 6**



**FIG. 7**