



US00D599773S

(12) **United States Design Patent**  
**Shimizu**

(10) **Patent No.:** **US D599,773 S**  
(45) **Date of Patent:** **\*\* Sep. 8, 2009**

(54) **DIGITAL AUDIO PLAYER**

(75) Inventor: **Akari Shimizu**, Shinjuku-ku (JP)

(73) Assignee: **Clarion Co., Ltd.**, Tokyo (JP)

(\*\*) Term: **14 Years**

(21) Appl. No.: **29/329,975**

(22) Filed: **Dec. 24, 2008**

(51) **LOC (9) Cl.** ..... **14-01**

(52) **U.S. Cl.** ..... **D14/157**

(58) **Field of Classification Search** ..... D14/440-446,  
D14/496, 498-505, 137, 157, 167-168, 188,  
D14/197-198, 257-258; 360/99.02, 99.07;  
369/75.11, 75.21, 77.11, 77.21; 720/601,  
720/612, 619, 649, 655; 455/344, 347-351  
See application file for complete search history.

(56) **References Cited**

**U.S. PATENT DOCUMENTS**

D117,188 S	*	10/1939	McDonald, Jr.	.....	D14/188
D338,198 S	*	8/1993	Ogasawara	.....	D14/502
D373,589 S	*	9/1996	Peterson et al.	.....	D14/257
D402,286 S	*	12/1998	Poole et al.	.....	D14/441
5,859,828 A	*	1/1999	Ishibashi	.....	720/655
D509,199 S	*	9/2005	Haase et al.	.....	D14/137
D561,140 S	*	2/2008	Hatori	.....	D14/505

**FOREIGN PATENT DOCUMENTS**

JP D1338719 8/2008

\* cited by examiner

*Primary Examiner*—Nanda Bondade

(74) *Attorney, Agent, or Firm*—Oliff & Berridge, PLC

(57) **CLAIM**

The ornamental design for a digital audio player, as shown and described.

**DESCRIPTION**

FIG. 1 is a perspective view of a digital audio player;

FIG. 2 is a front view thereof;

FIG. 3 is a rear view thereof;

FIG. 4 is a left-side view thereof;

FIG. 5 is a right-side view thereof;

FIG. 6 is a top view thereof;

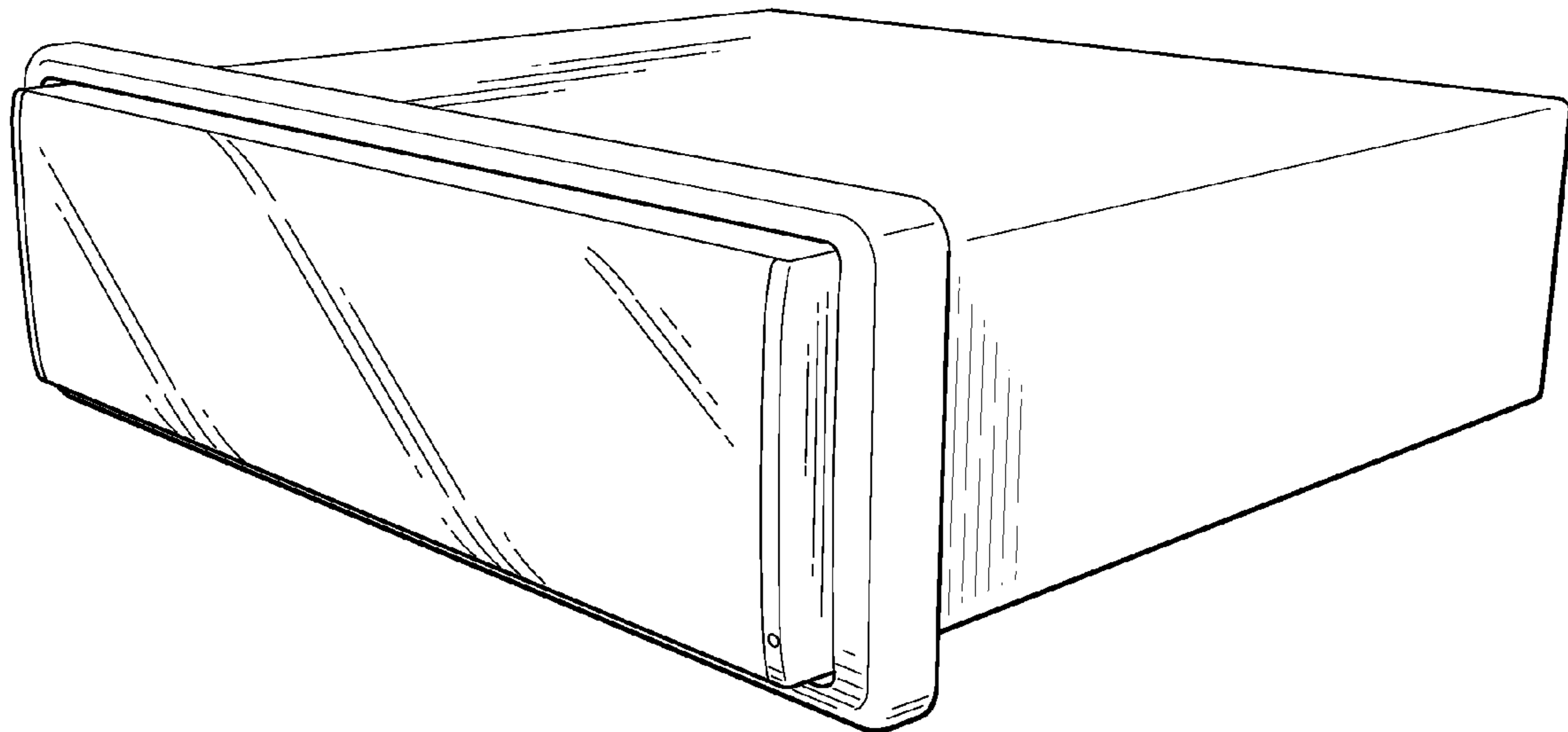
FIG. 7 is a bottom view thereof;

FIG. 8 is a cross-sectional view thereof taken along the line 8—8 of FIG. 2; and,

FIG. 9 is an enlarged cross-sectional view of FIG. 8.

The broken lines depict environmental subject matter only and form no part of the claimed design.

**1 Claim, 6 Drawing Sheets**



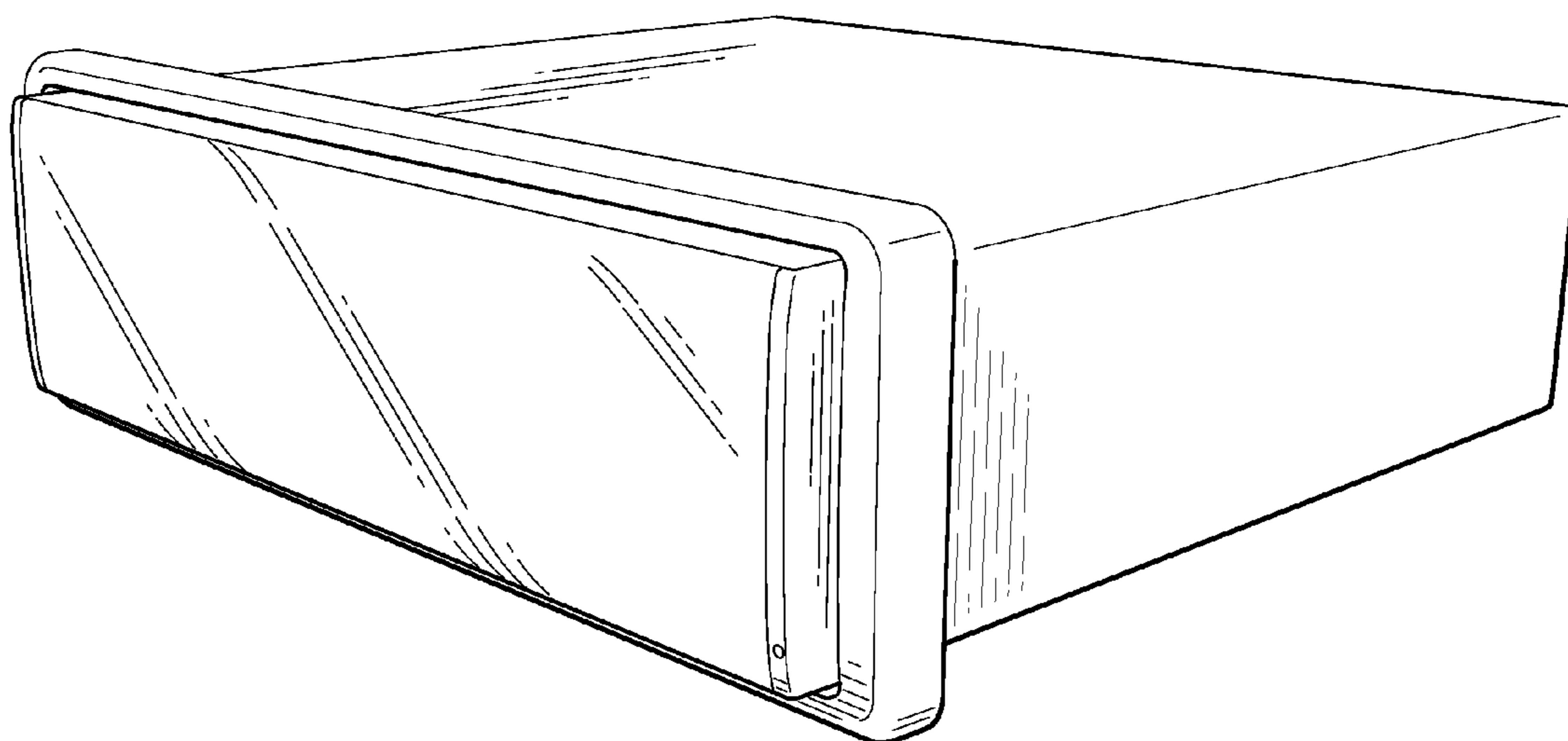


FIG.1

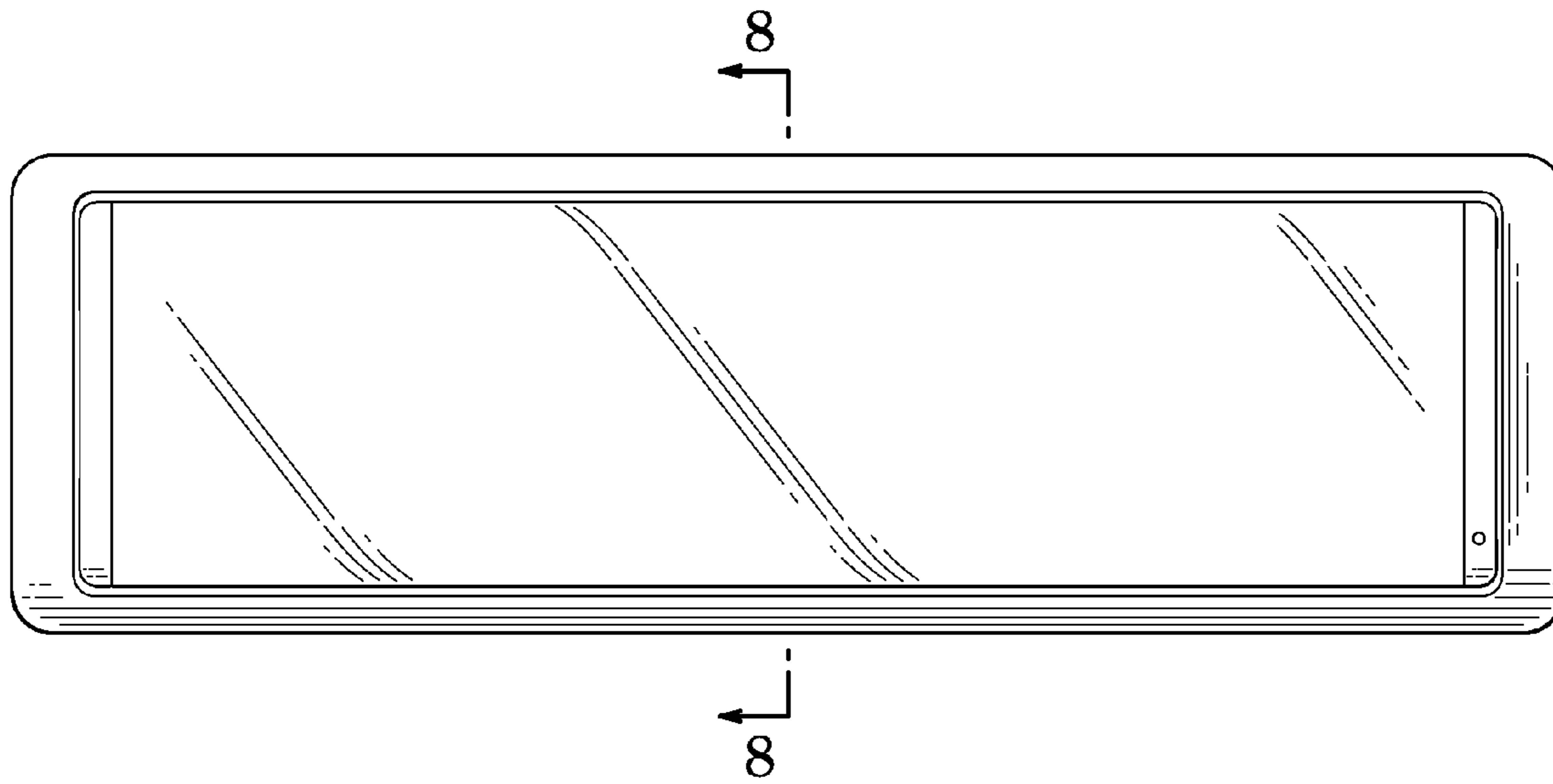


FIG. 2

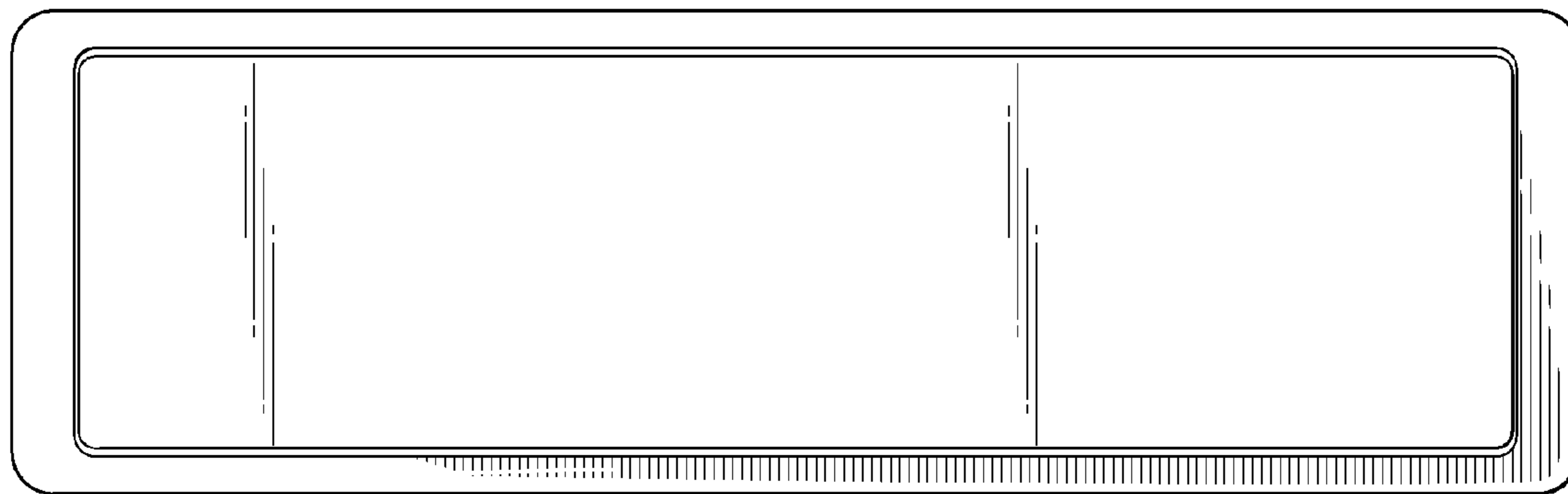


FIG. 3

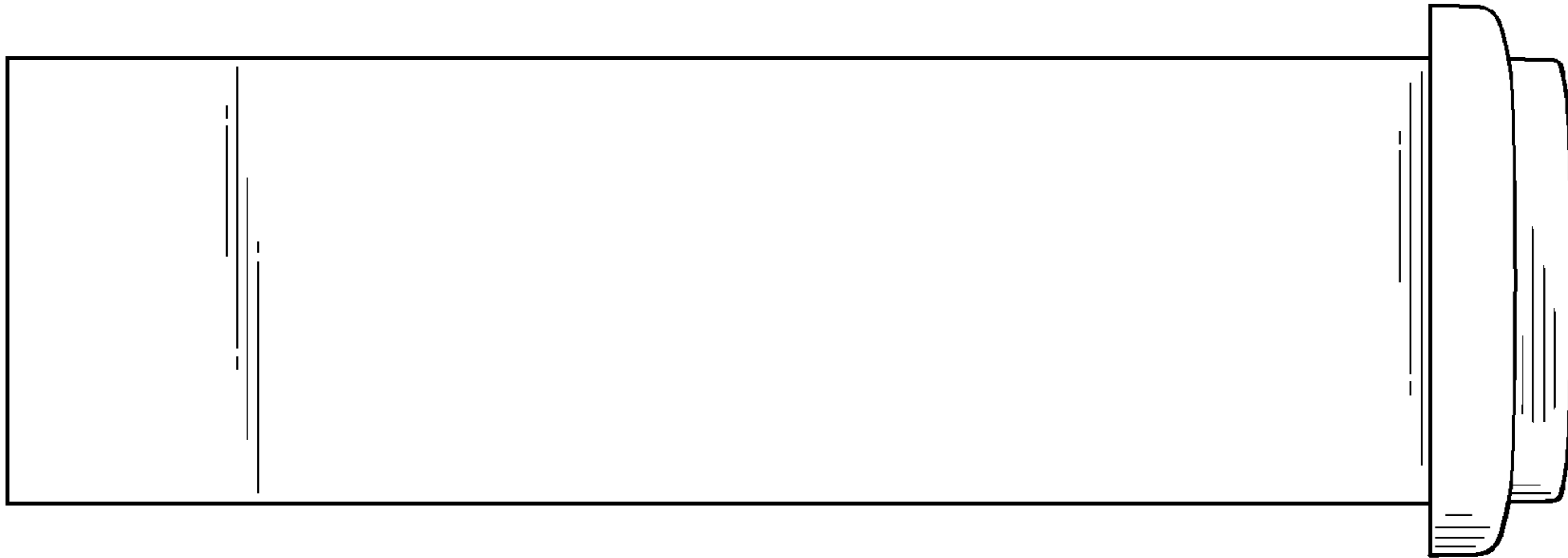


FIG. 4

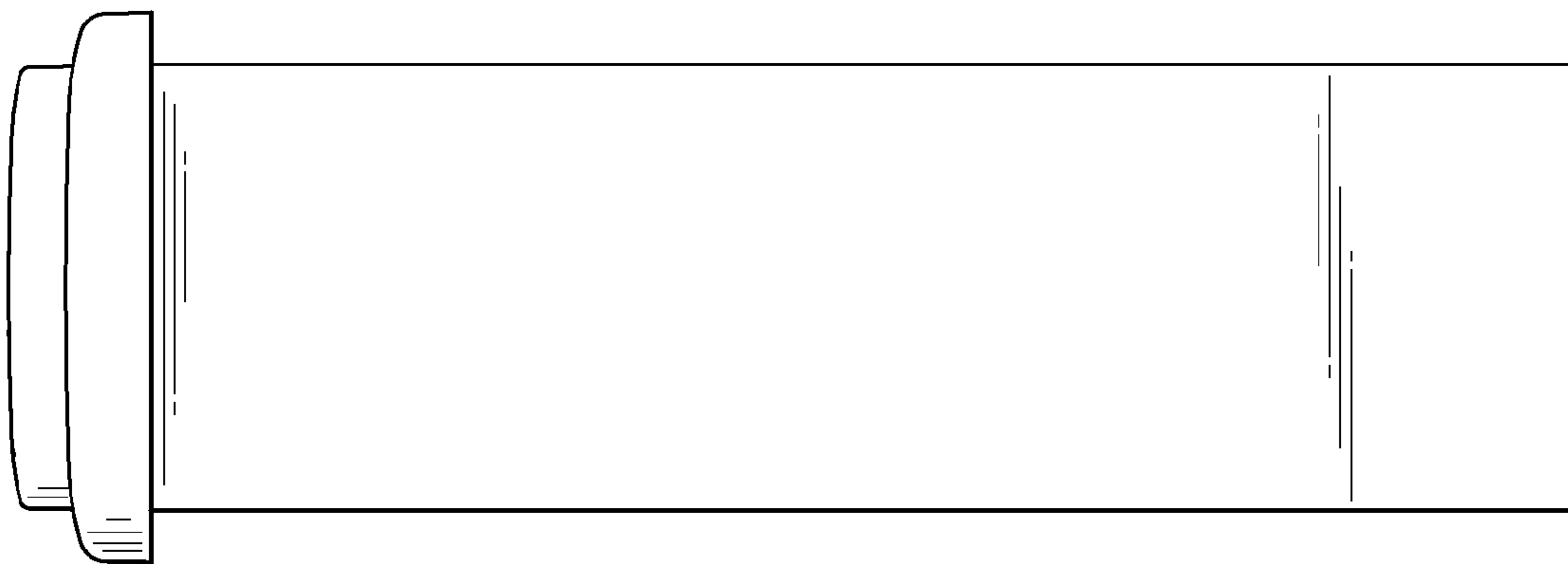


FIG. 5

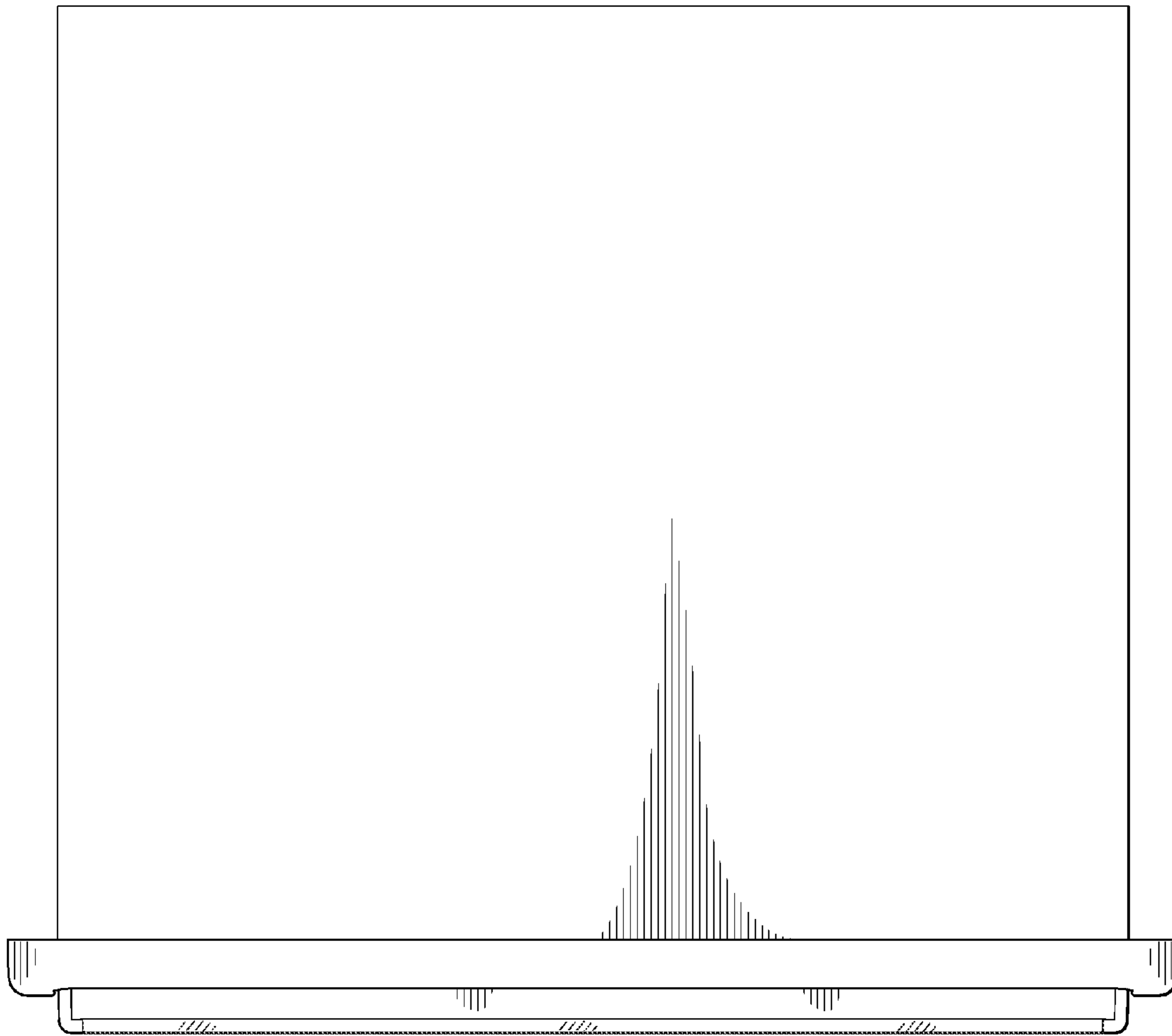


FIG.6

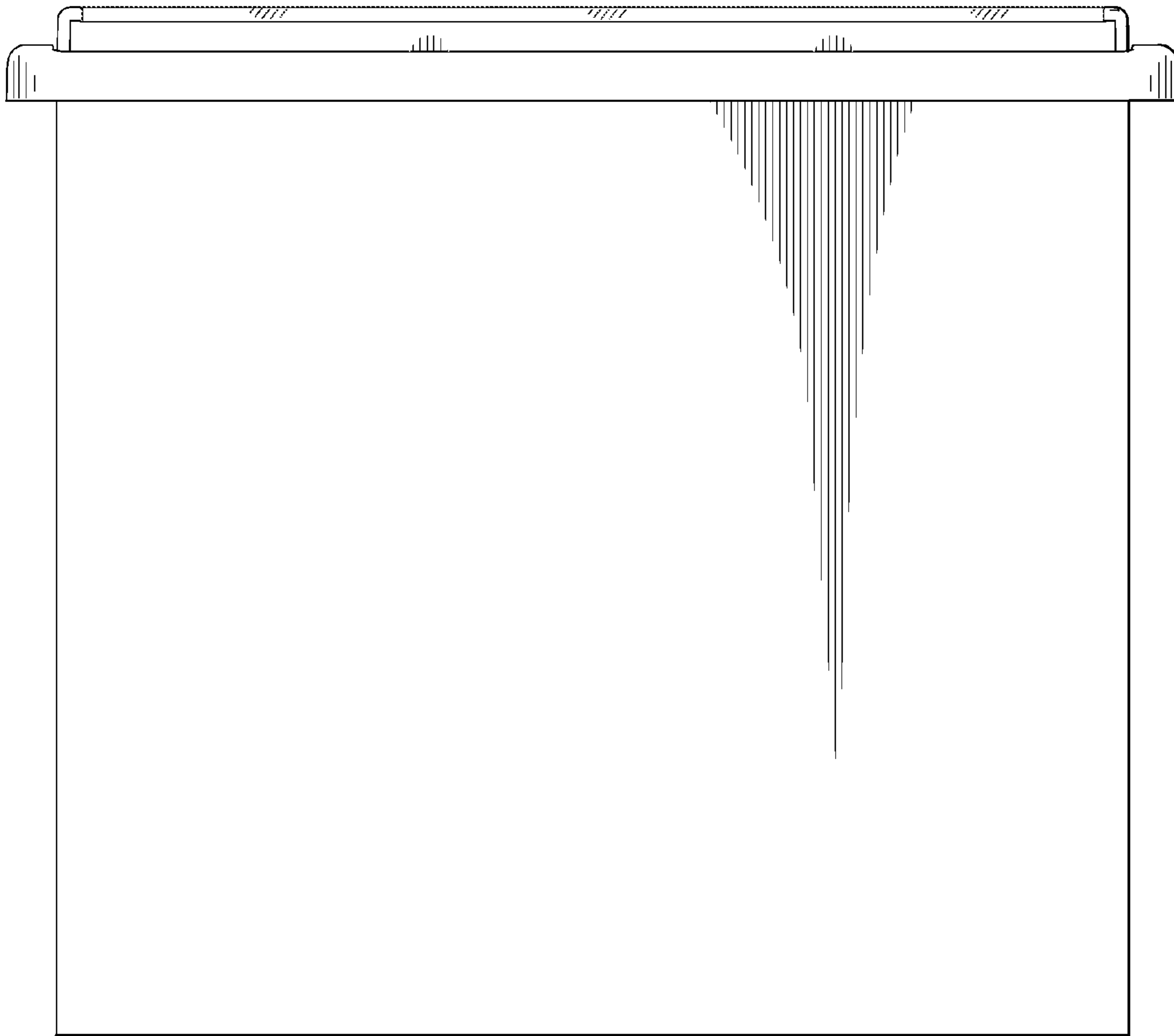


FIG. 7

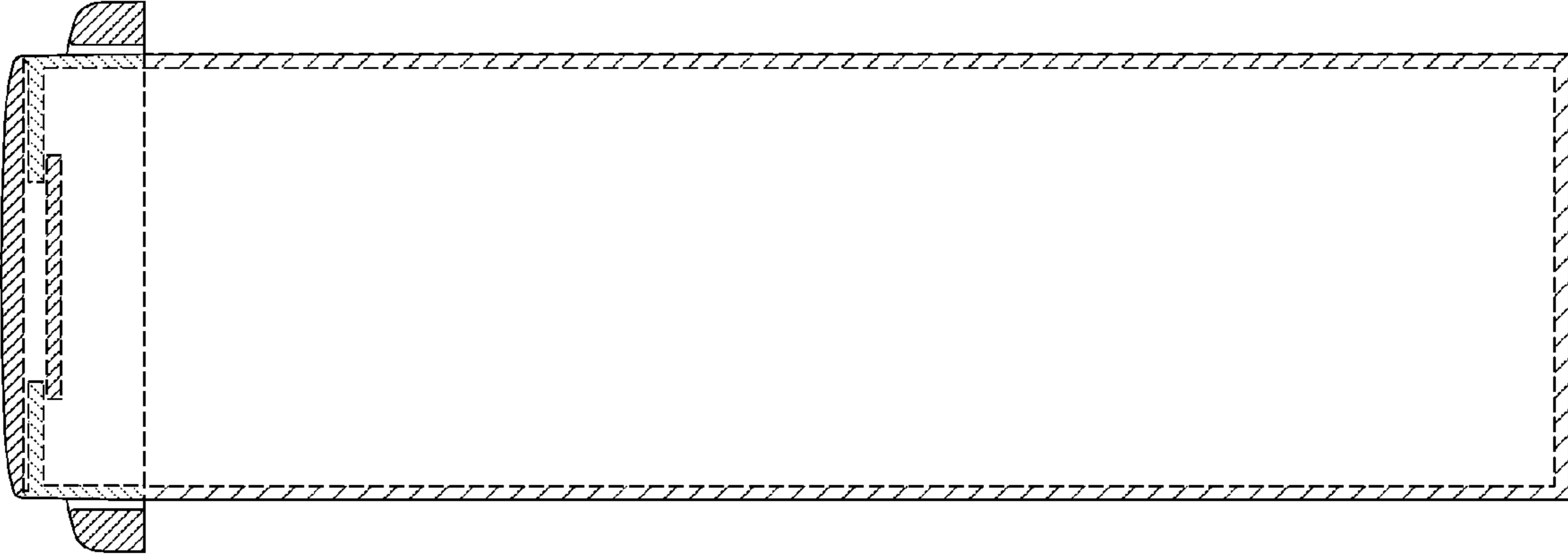


FIG. 8

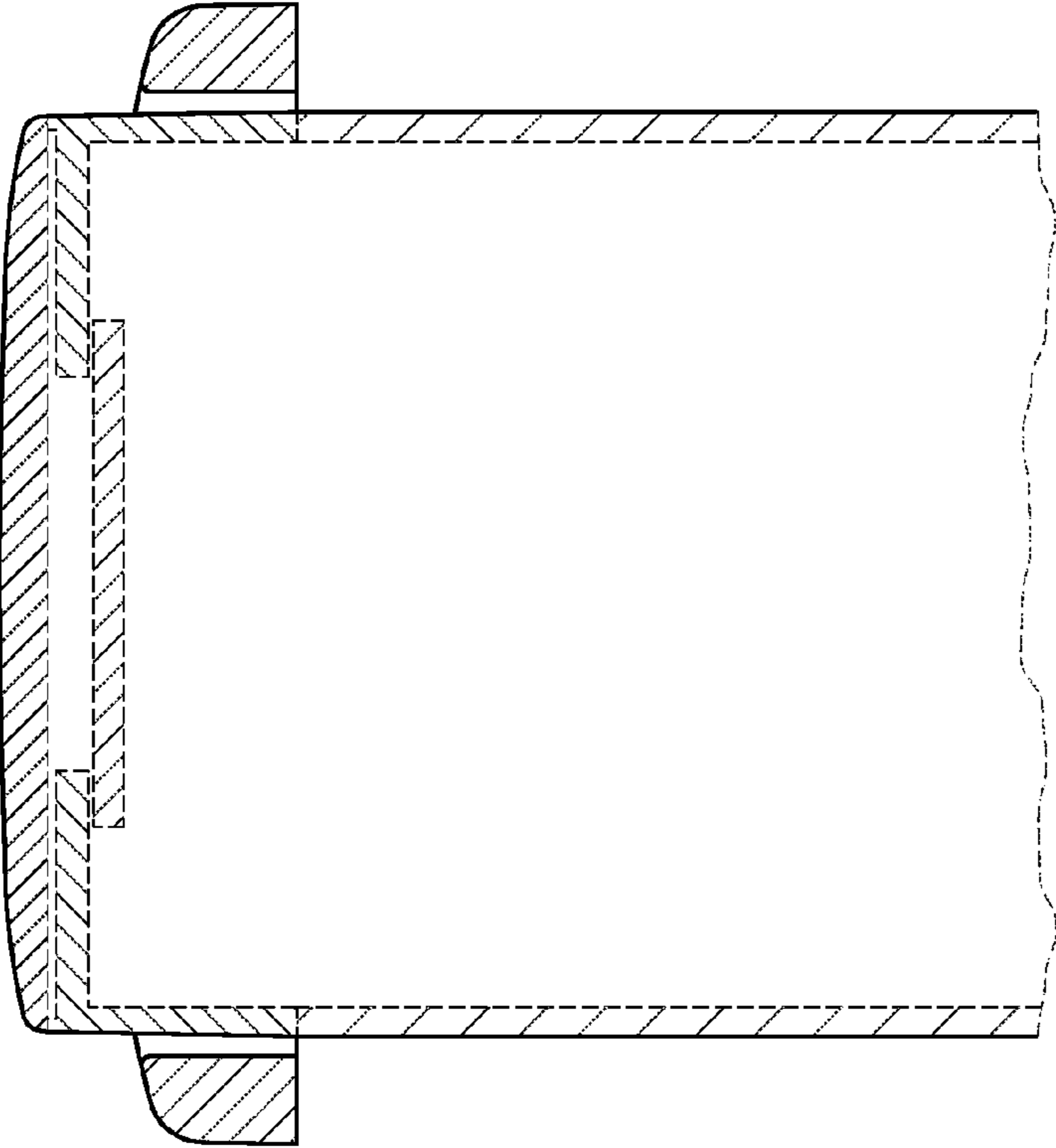


FIG. 9