



US00D599770S

(12) **United States Design Patent**
Salmi et al.

(10) **Patent No.:** **US D599,770 S**

(45) **Date of Patent:** **** Sep. 8, 2009**

(54) **HANDSET**

(75) Inventors: **Pertti Salmi**, Oulu (FI); **Hanna Vuolteenaho**, Oulu (FI)

(73) Assignee: **Nokia Corporation**, Espoo (FI)

(**) Term: **14 Years**

(21) Appl. No.: **29/327,173**

(22) Filed: **Oct. 31, 2008**

(51) **LOC (9) Cl.** **14-03**

(52) **U.S. Cl.** **D14/138 AD**

(58) **Field of Classification Search** D14/138 R,
D14/138 AD, 138 AC, 138 C, 138 G, 191,
D14/203.1–203.8, 496, 138 AA, 138 AB,
D14/247–248, 137, 147, 218, 341–347; D10/65,
D10/78, 104; D13/168; D18/7; 455/566,
455/575.1, 575.3

See application file for complete search history.

(56) **References Cited**

U.S. PATENT DOCUMENTS

D298,243 S	*	10/1988	Watanabe	D14/138 AA
D502,703 S	*	3/2005	Tsujimoto et al.	D14/346
D511,342 S	*	11/2005	Chien	D14/346
D526,222 S	*	8/2006	Uehara	D10/65
D527,366 S	*	8/2006	Lee	D14/138 AD
D528,526 S	*	9/2006	Shin	D14/138 AD
D546,801 S	*	7/2007	Jung	D14/138 AA
D548,213 S	*	8/2007	Lee et al.	D14/138 AC
D555,132 S	*	11/2007	Kim et al.	D14/138 AC
D558,174 S	*	12/2007	Lee	D14/138 AD
D565,533 S	*	4/2008	Kim et al.	D14/138 AD

(Continued)

OTHER PUBLICATIONS

Gigabyte g-Smart MS820, announced Jun. 2008, [online], [retrieved on Jun. 13, 2008]. Retrieved from Internet ,<URL: <http://www.gsmarena.com>>.*

Nokia 6210 Navigator, announced Feb. 2008, [online], [retrieved on Mar. 21, 2008 & Feb. 13, 2009]. Retrieved from Internet ,<URL: <http://www.gsmarena.com>>.*

Nokia 6710 Navigator, announced Feb. 2009, [online], [retrieved on Feb. 20, 2009]. Retrieved from Internet ,<URL: <http://www.gsmarena.com>>.*

Samsung A777, announced Nov. 2008, [online], [retrieved on Nov. 18, 2008]. Retrieved from Internet ,<URL: <http://www.gsmarena.com>>.*

HTC G1, announced Sep. 2008, [online], [retrieved on Oct. 3, 2008]. Retrieved from Internet ,<URL: <http://www.gsmarena.com>>.*

Primary Examiner—Jeffrey D Asch

Assistant Examiner—Bridget L Eland

(74) *Attorney, Agent, or Firm*—Banner & Witcoff, Ltd.

(57) **CLAIM**

The ornamental design for a handset, as shown and described.

DESCRIPTION

FIG. 1 is a front perspective view of a handset showing our new design;

FIG. 2 is a front view thereof;

FIG. 3 is a rear view thereof;

FIG. 4 is a right side view thereof;

FIG. 5 is a left side view thereof;

FIG. 6 is a top view thereof;

FIG. 7 is a bottom view thereof;

FIG. 8 is a rear perspective view thereof;

FIG. 9 is a front perspective view of the handset of FIG. 1 in an open, in-use position;

FIG. 10 is a front view thereof;

FIG. 11 is a rear view thereof;

FIG. 12 is a right side view thereof;

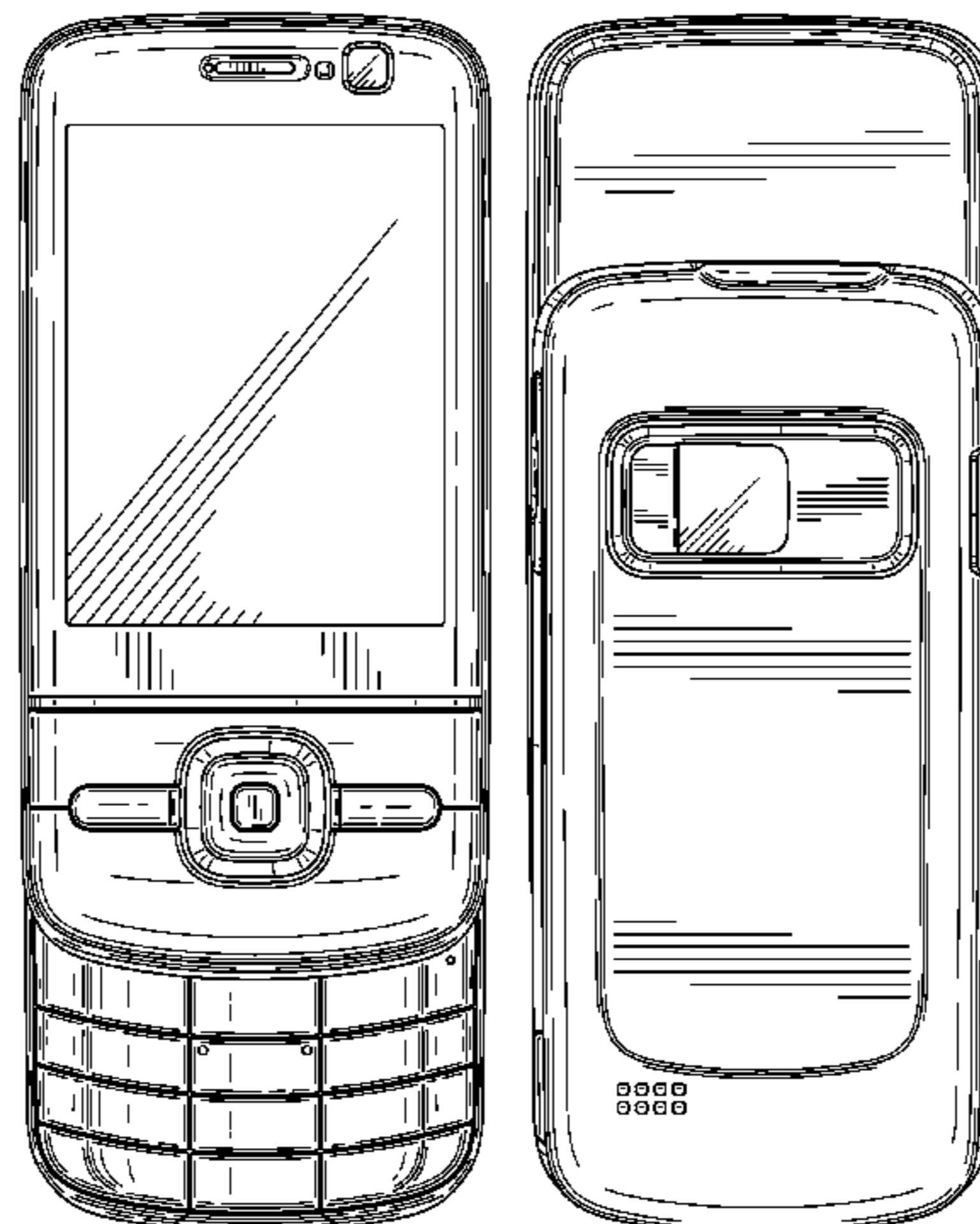
FIG. 13 is a left side view thereof;

FIG. 14 is a top view thereof;

FIG. 15 is a bottom view thereof; and,

FIG. 16 is a rear perspective view thereof.

1 Claim, 12 Drawing Sheets



US D599,770 S

Page 2

U.S. PATENT DOCUMENTS

D568,850 S	5/2008	Lyles		D585,417 S	1/2009	Mitchell	
D569,366 S *	5/2008	Hsu	D14/138 AD	D585,418 S *	1/2009	Laine	D14/138 AD
D571,765 S *	6/2008	Hsu	D14/138 AD	D590,798 S *	4/2009	McPhail	D14/138 AD
D574,817 S *	8/2008	Eroma et al.	D14/247	D590,799 S *	4/2009	Laine	D14/138 AD
D576,595 S *	9/2008	Han et al.	D14/138 AD	2005/0070344 A1 *	3/2005	Im et al.	455/575.1
D578,504 S	10/2008	Stillerman		2007/0021160 A1 *	1/2007	Li	455/575.4
D580,403 S *	11/2008	Jung et al.	D14/138 AD	2008/0004083 A1 *	1/2008	Ohki et al.	455/566
D582,878 S *	12/2008	Kimura	D14/138 AD	2008/0074399 A1 *	3/2008	Lee	345/173
D584,713 S *	1/2009	McPhail	D14/138 AD	2008/0119248 A1 *	5/2008	Nissen et al.	455/575.4

* cited by examiner

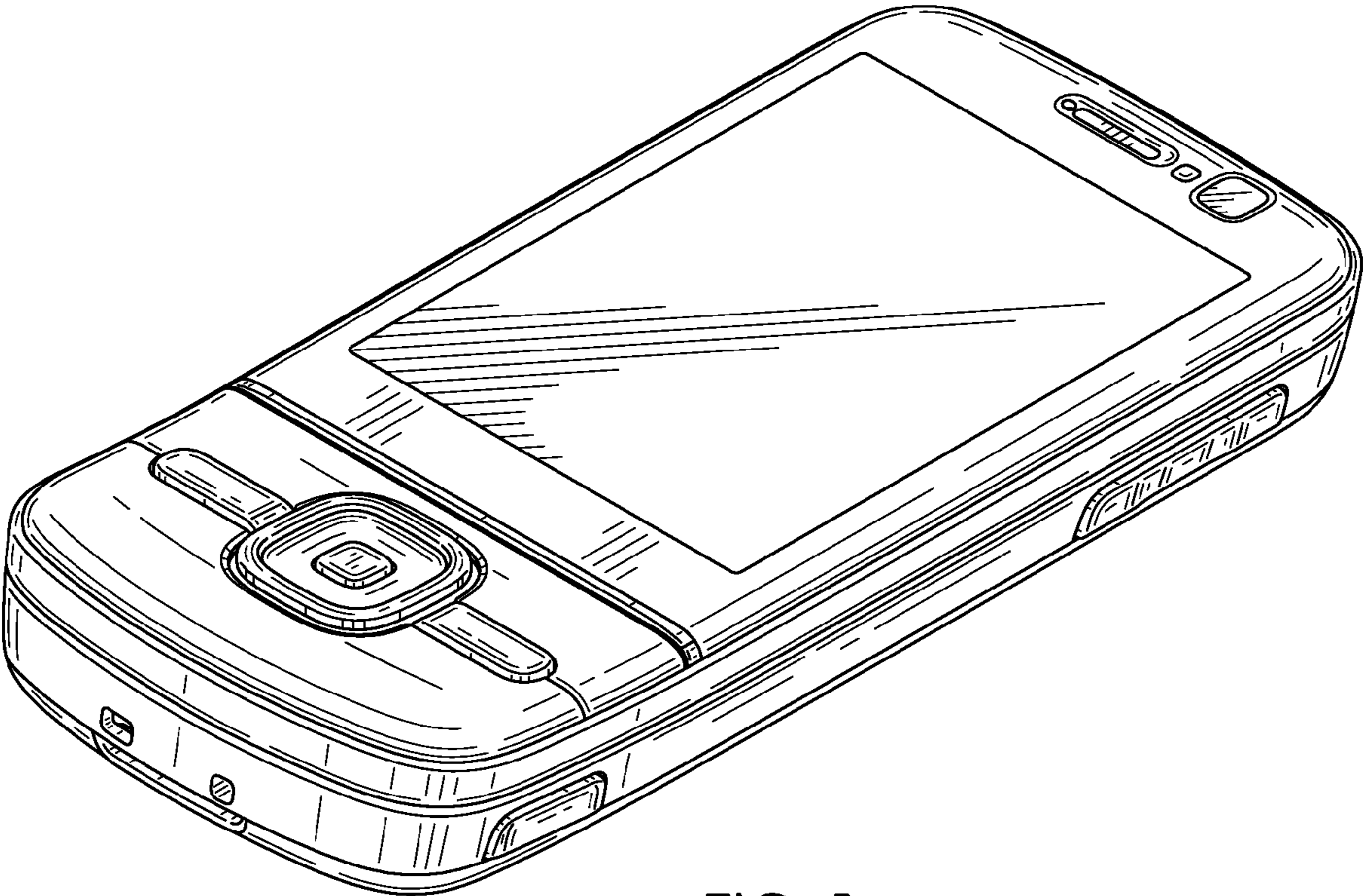


FIG. 1

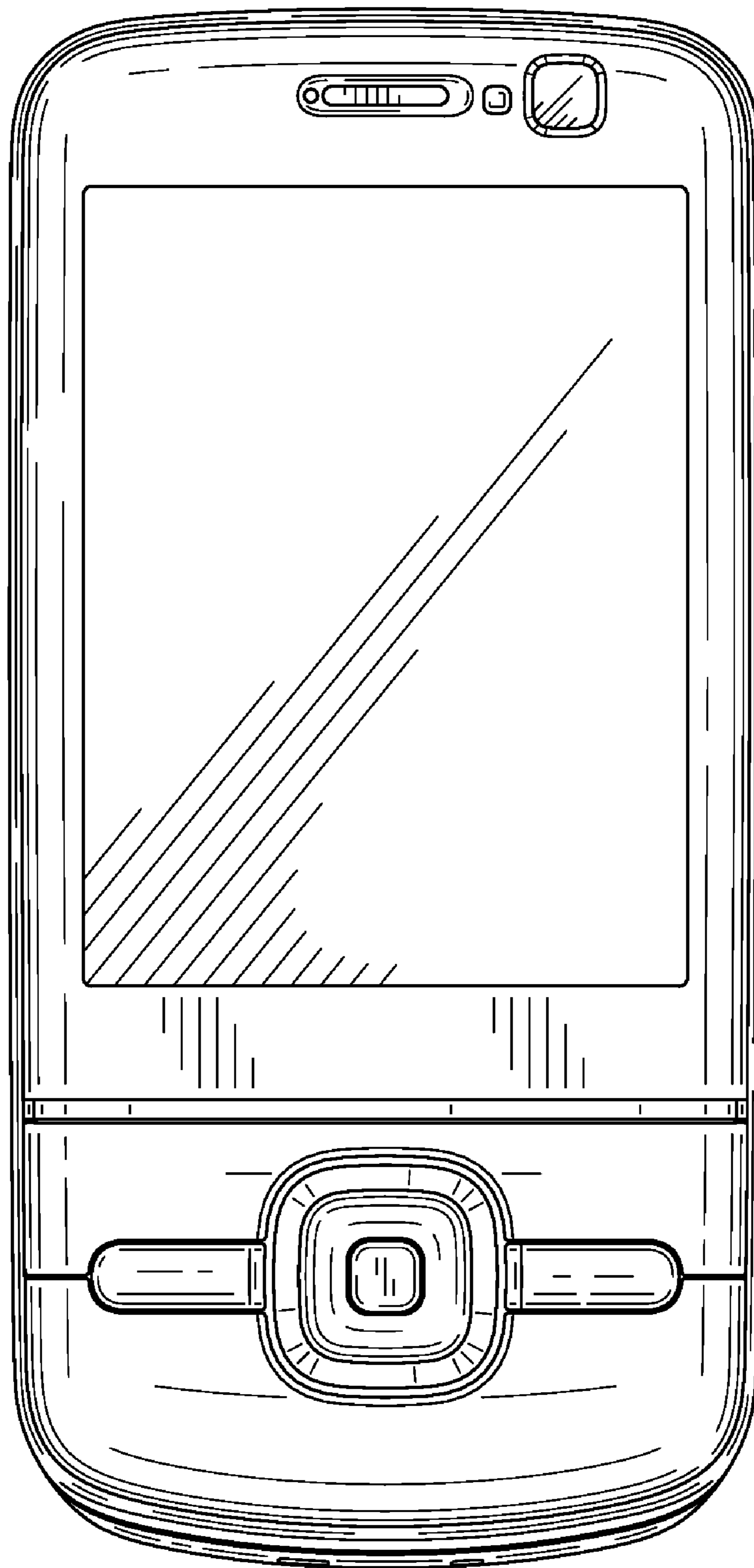


FIG. 2

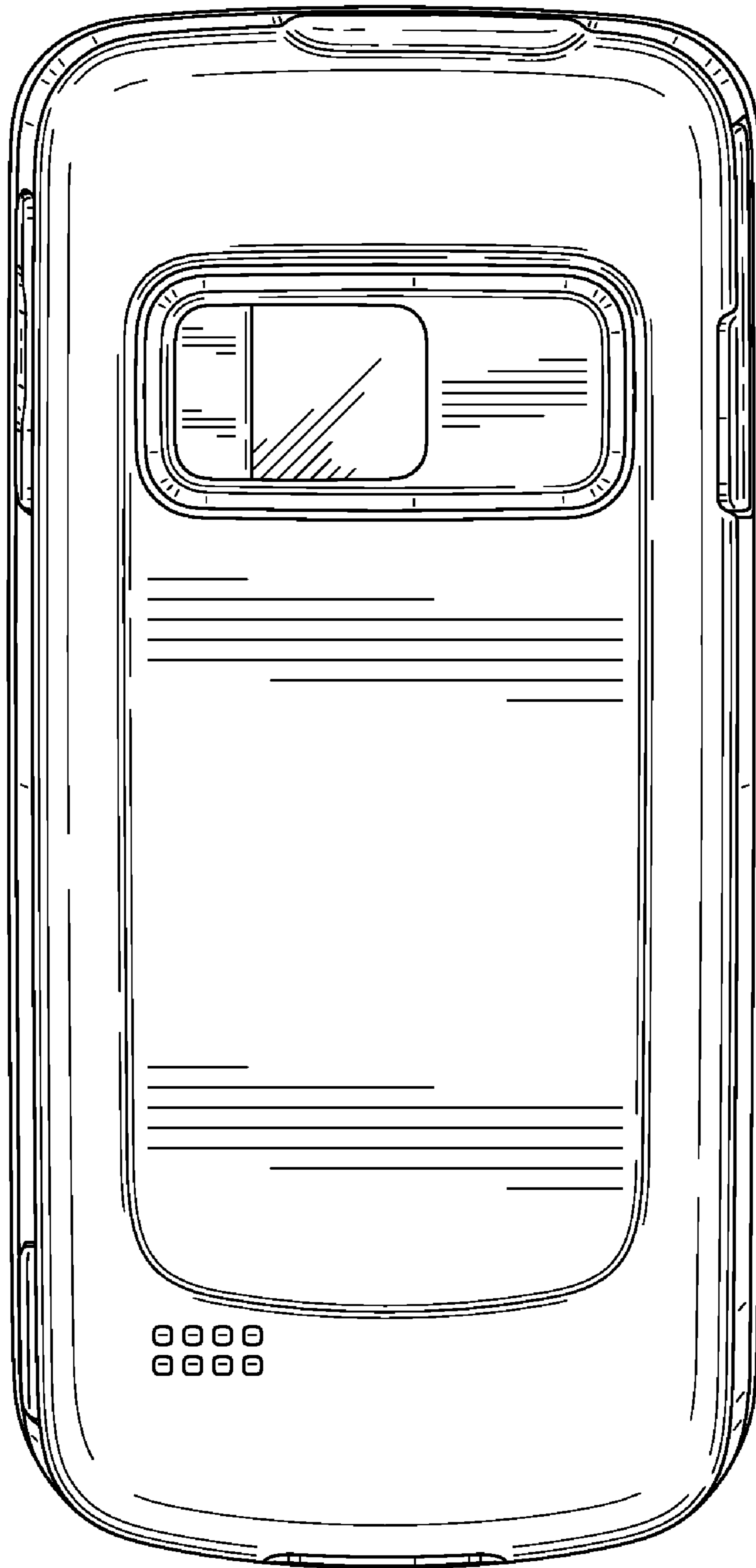


FIG. 3

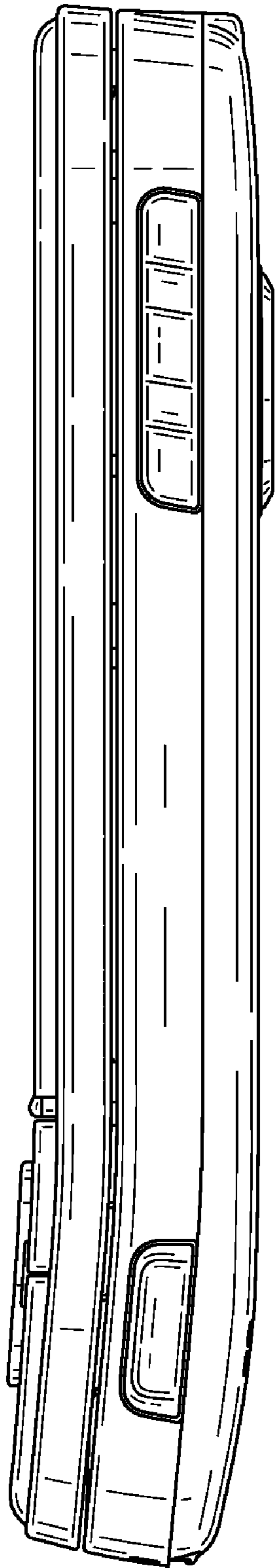


FIG. 4

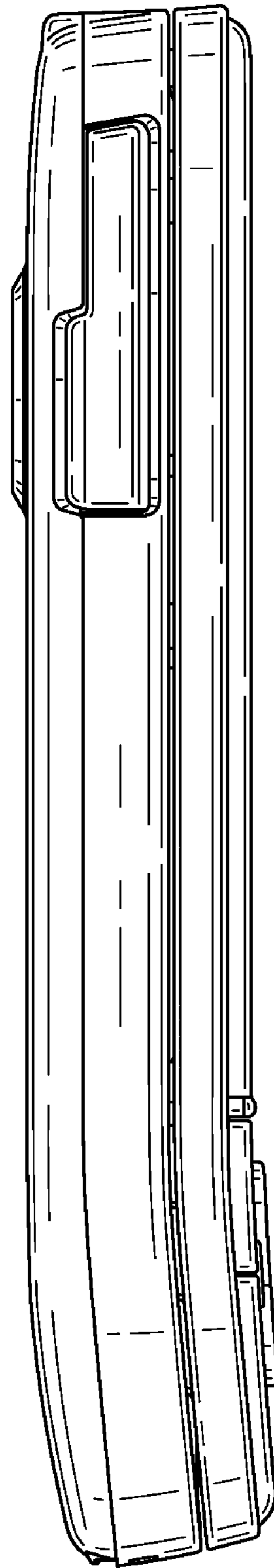


FIG. 5

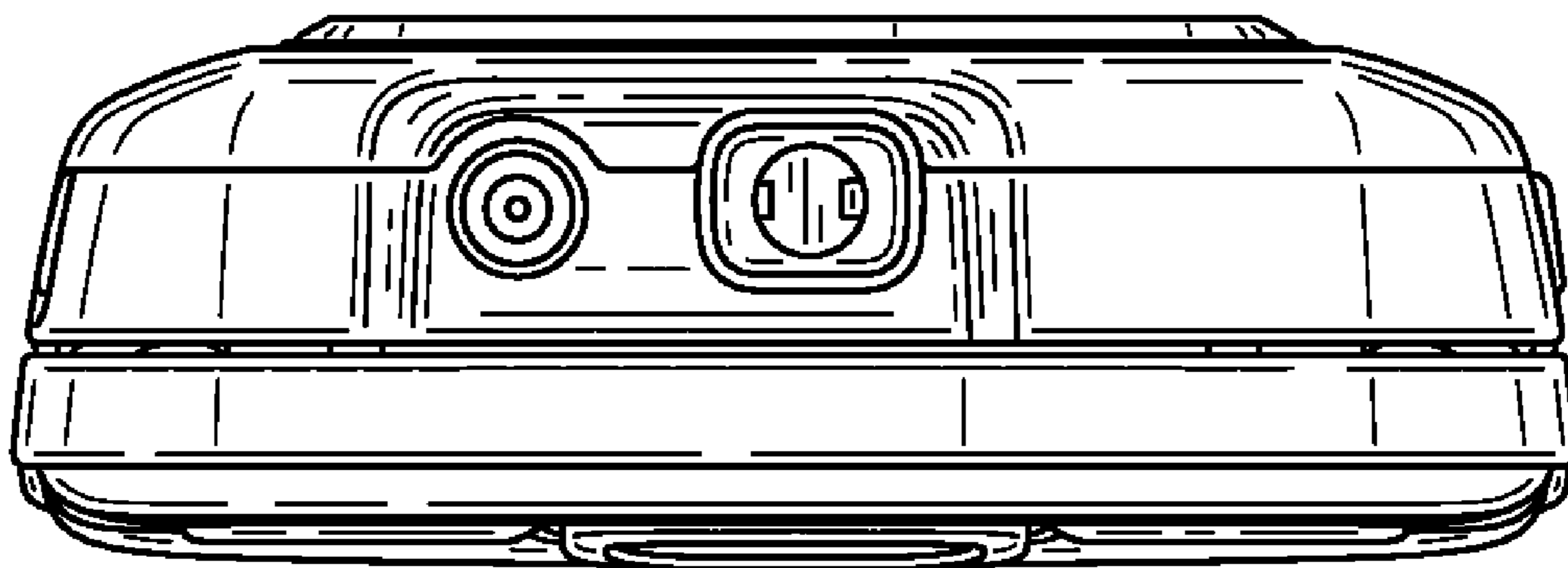


FIG. 6

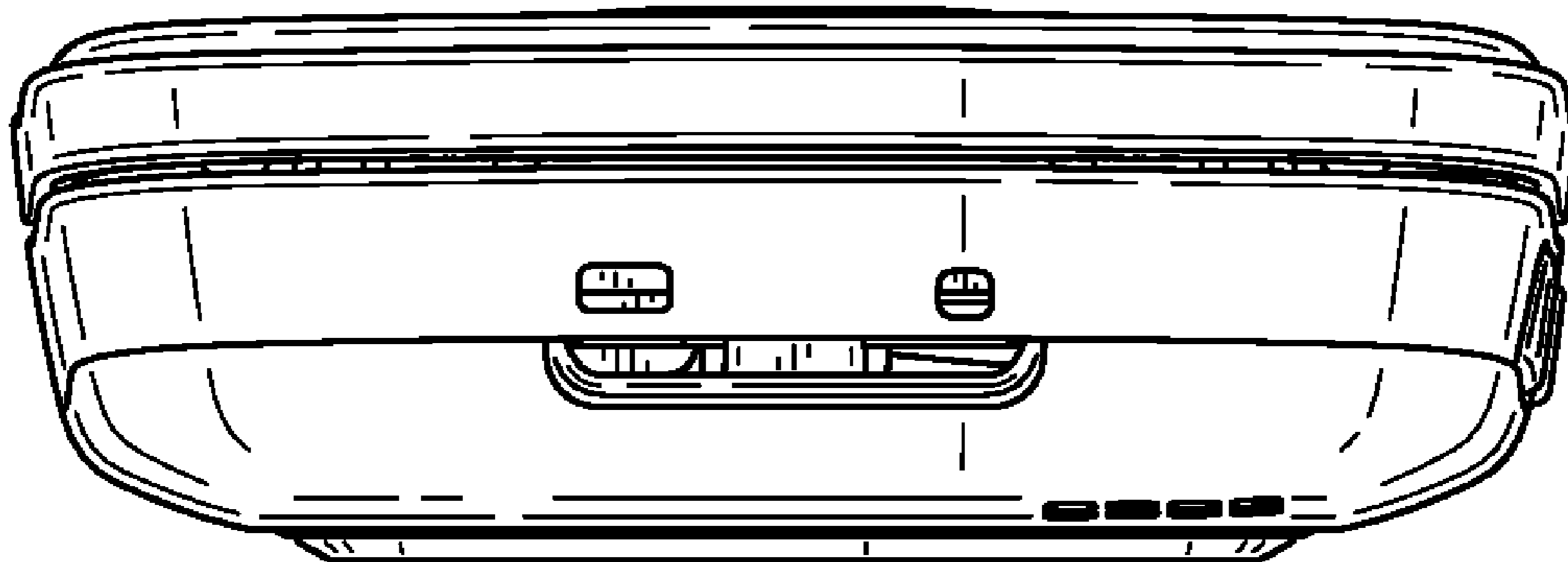


FIG. 7

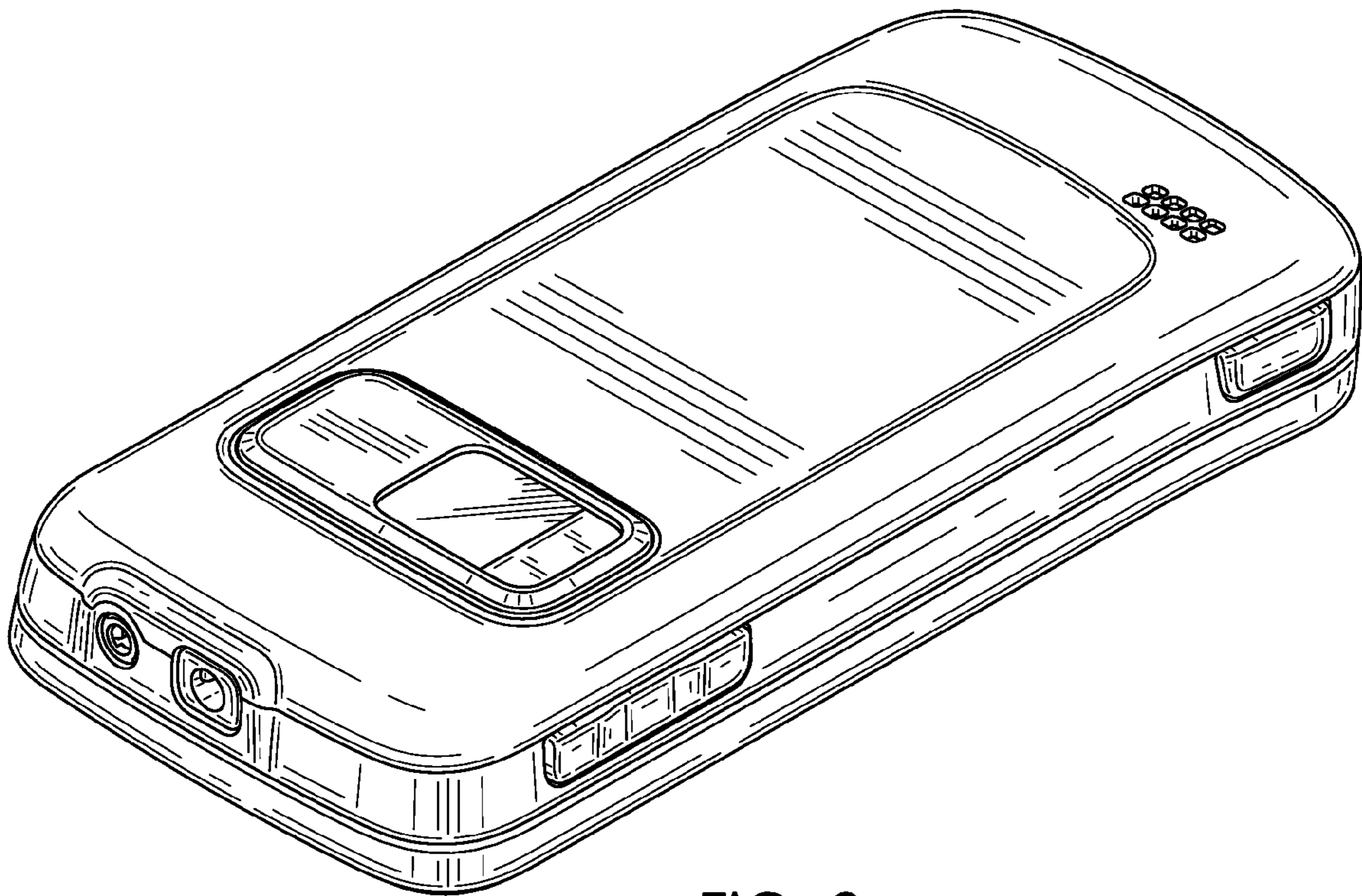


FIG. 8

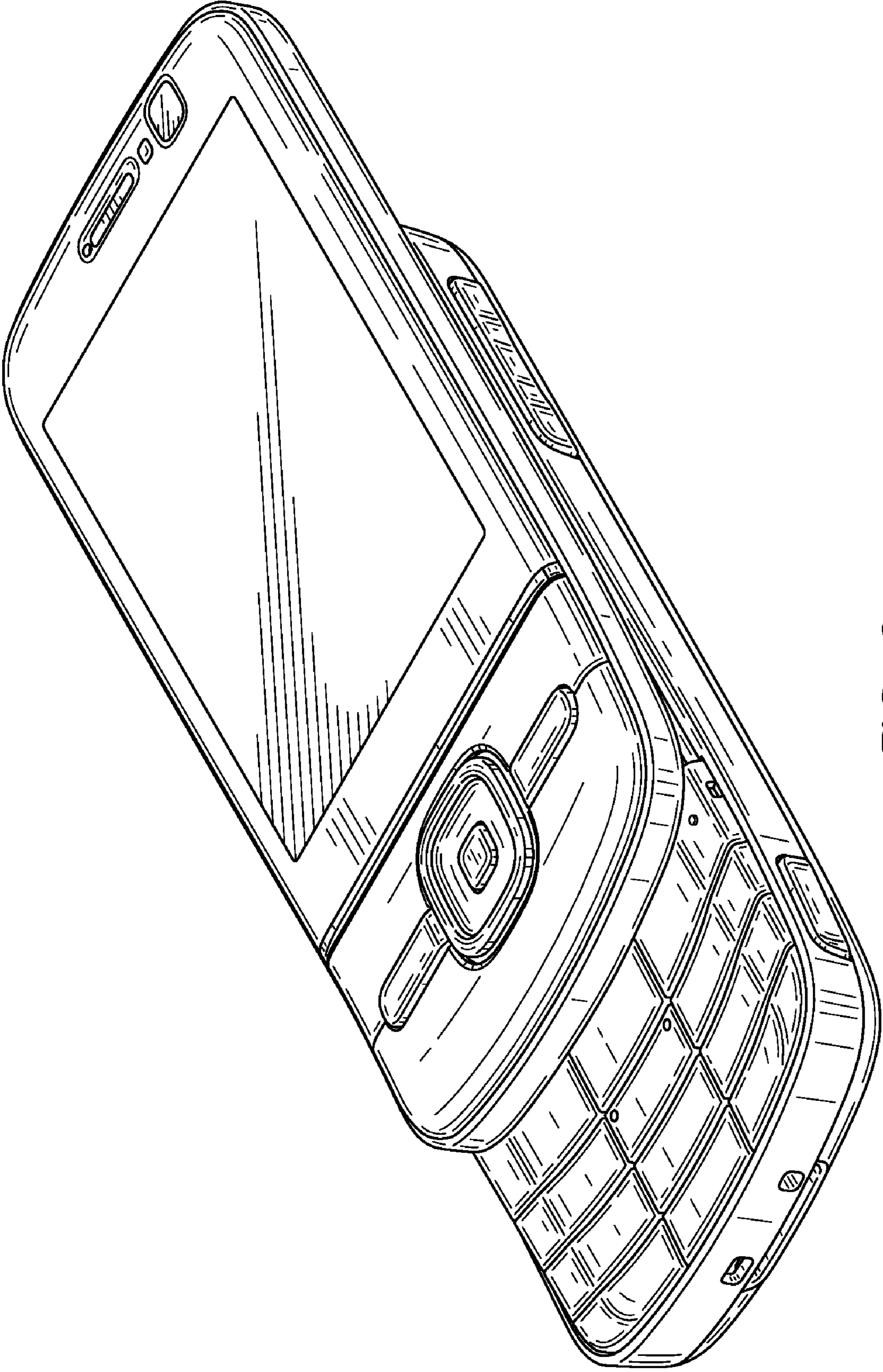


FIG. 9

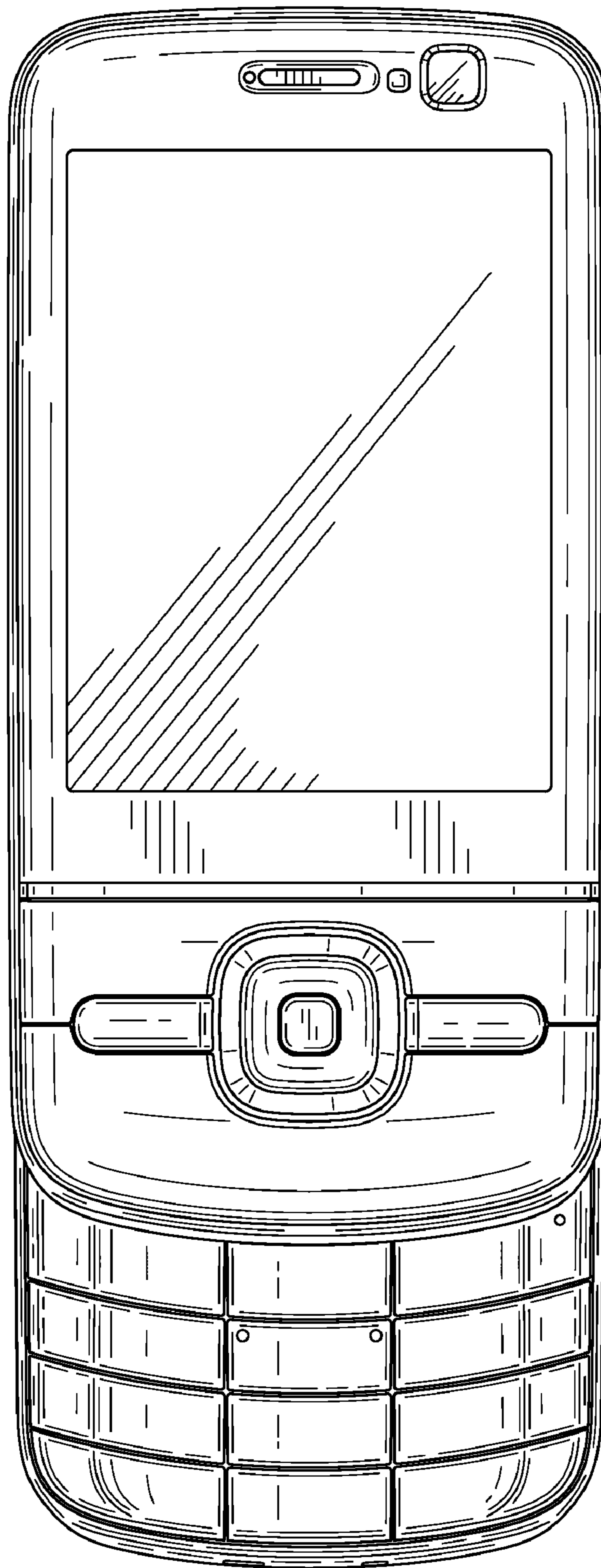


FIG. 10

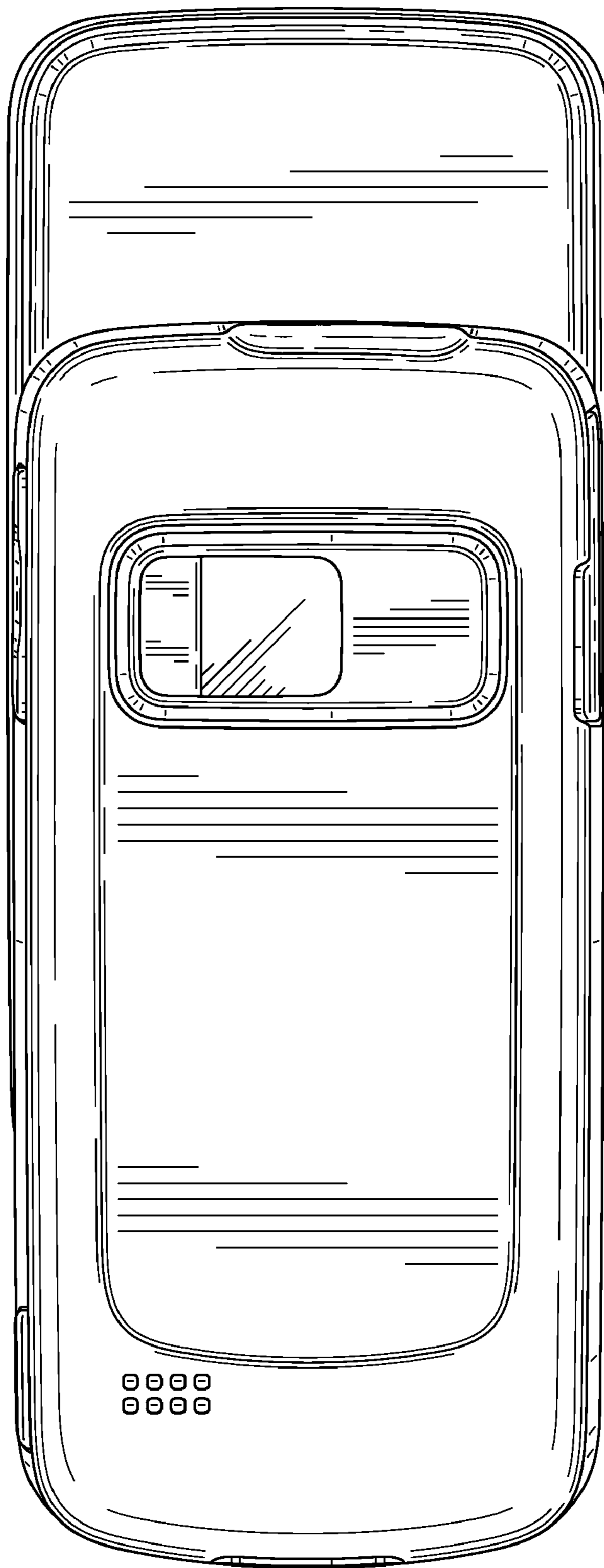


FIG. 11

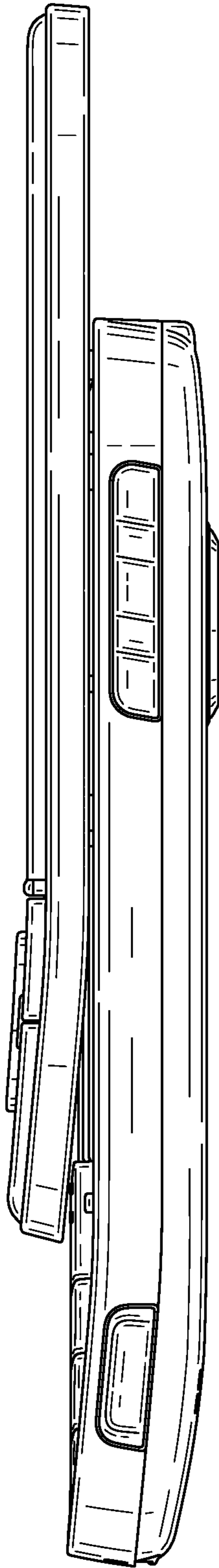


FIG. 12

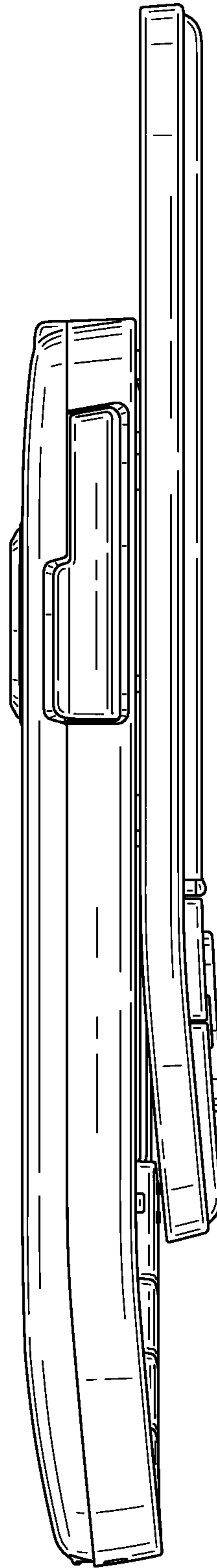


FIG. 13

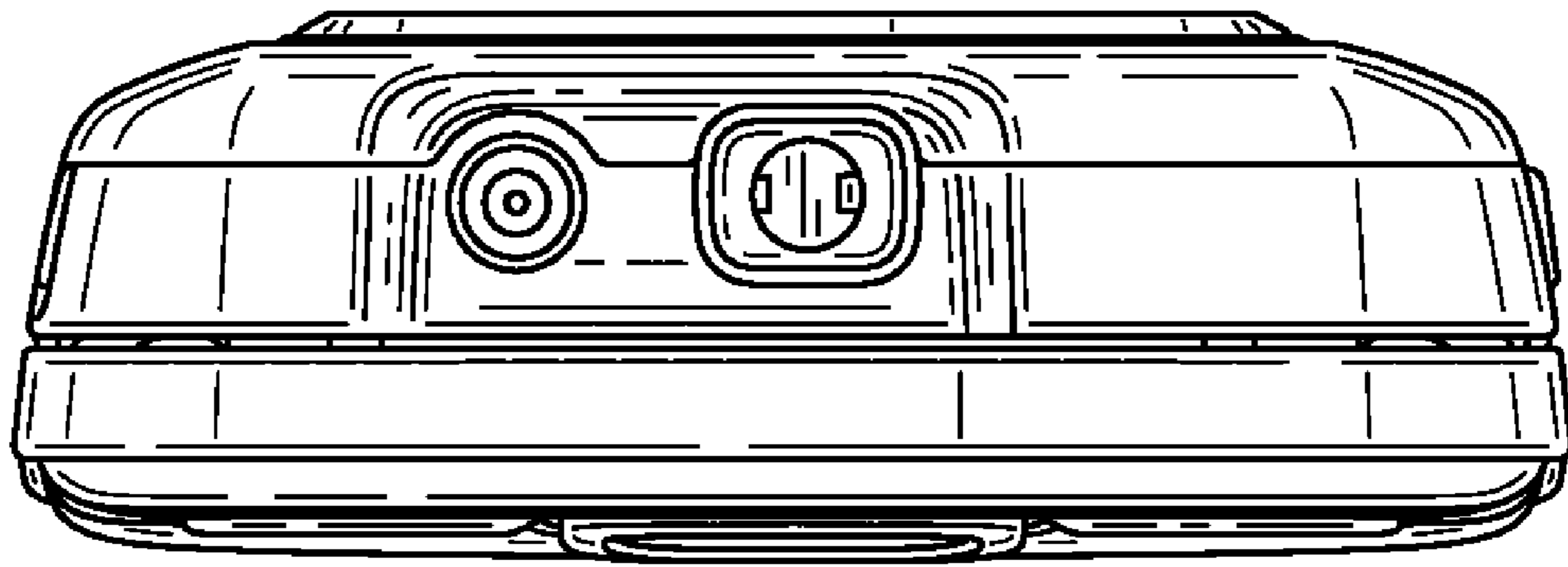


FIG. 14

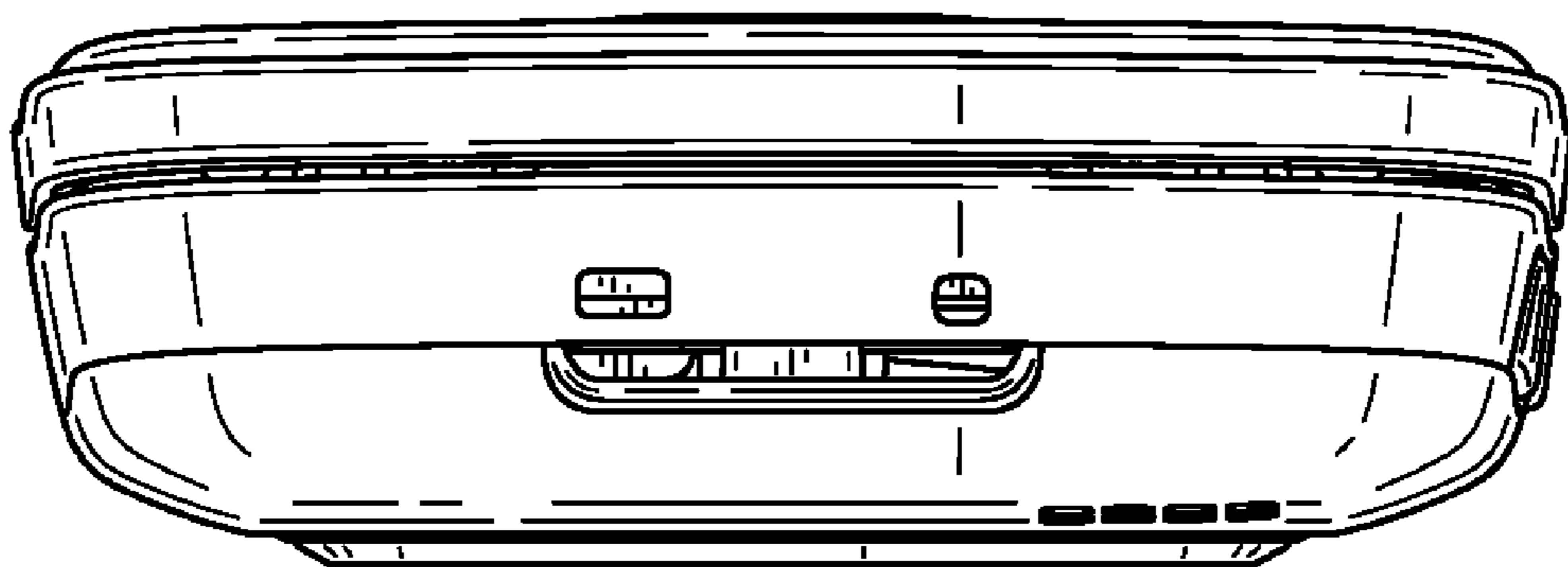


FIG. 15

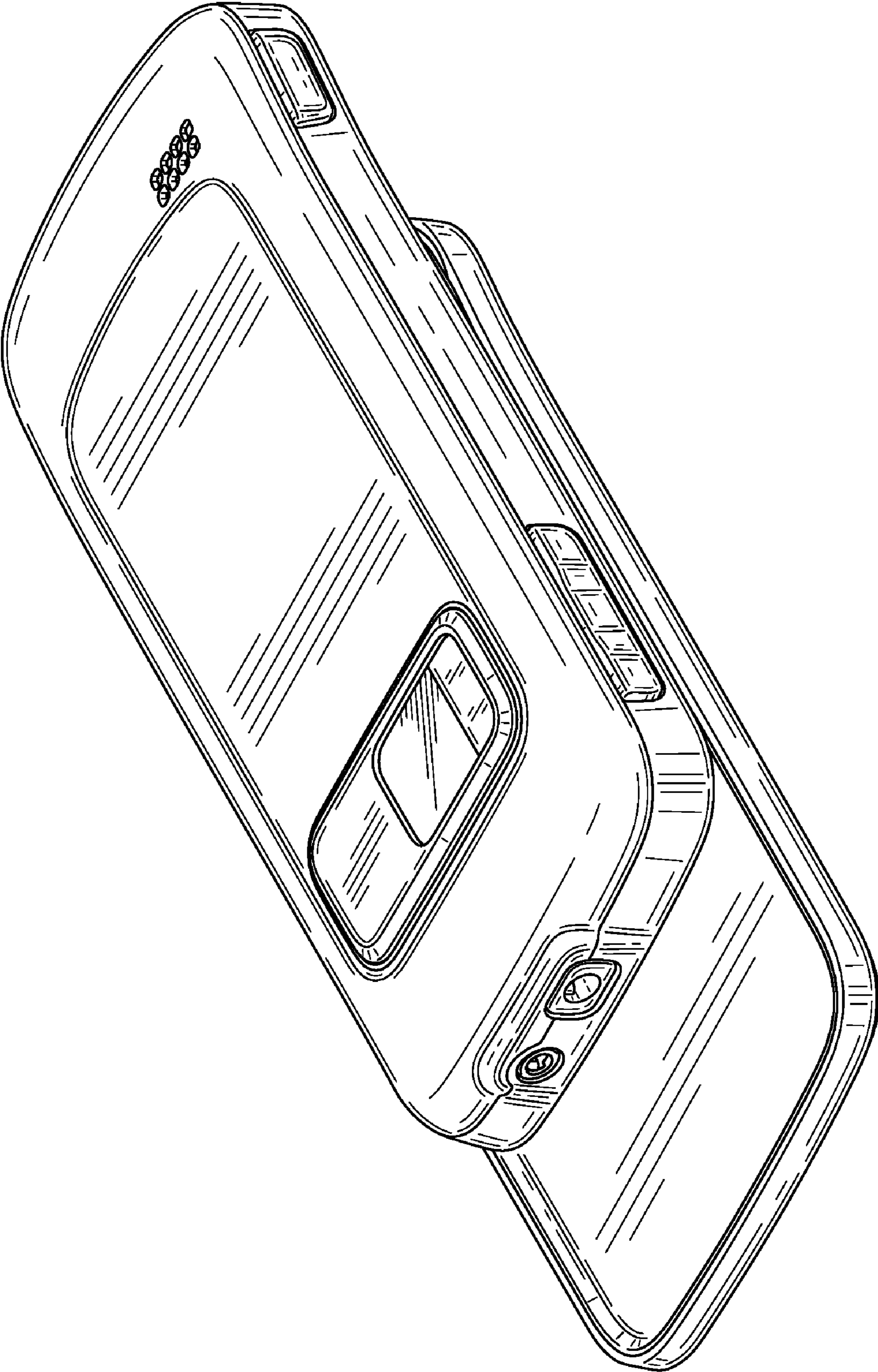


FIG. 16