



US00D599766S

(12) **United States Design Patent**
Page et al.

(10) **Patent No.:** **US D599,766 S**
(45) **Date of Patent:** **** Sep. 8, 2009**

(54) **COMMUNICATION DEVICE**

(75) Inventors: **Michael J. Page**, Cary, NC (US); **David I. Blatt**, Margate, FL (US); **William H. Robertson, Jr.**, Fort Lauderdale, FL (US); **Alina R. Butan**, West Hollywood, CA (US)

(73) Assignee: **Motorola, Inc.**, Schaumburg, IL (US)

(**) Term: **14 Years**

(21) Appl. No.: **29/322,236**

(22) Filed: **Jul. 31, 2008**

(51) **LOC (9) Cl.** **14-03**

(52) **U.S. Cl.** **D14/138 AB**

(58) **Field of Classification Search** D14/138 AB,
D14/496, 341-347; 455/575.3

See application file for complete search history.

(56) **References Cited**

U.S. PATENT DOCUMENTS

- D496,014 S * 9/2004 Lodato et al. D14/138 AB
- D496,016 S * 9/2004 Hoo D14/138 AB
- D504,670 S * 5/2005 Lodato et al. D14/138 AB

(Continued)

OTHER PUBLICATIONS

Motorola V1000 telephone, announced 1st quarter 2004, [online], [site visited Dec. 19, 2008]. Available from Internet ,<URL: http://www.gsmarena.com>.*

O2 X2i telephone, announced 4th quarter 2005, [online], [site visited Dec. 19, 2008]. Available from Internet ,<URL: http://www.gsmarena.com>.*

Sony Ericsson Z710 telephone, announced May 2006, [online], [site visited Dec. 19, 2008]. Available from Internet ,<URL: http://www.gsmarena.com>.*

Motorola EM28 telephone, announced Aug. 2008, [online], [site visited Dec. 19, 2008]. Available from Internet ,<URL: http://www.gsmarena.com>.*

BenQ-Siemens EF91 telephone, announced Feb. 2006, [online], [site visited Dec. 19, 2008]. Available from Internet ,<URL: http://www.gsmarena.com>.*

Motorola A910 telephone, announced Jul. 2005, [online], [site visited Dec. 19, 2008]. Available from Internet ,<URL: http://www.gsmarena.com>.*

Samsung i505 telephone, announced 1st quarter 2004, [online], [site visited Dec. 19, 2008]. Available from Internet ,<URL: http://www.gsmarena.com>.*

Philips Xenium 9@9i telephone, announced 1st quarter 2005, [online], [site visited Dec. 19, 2008]. Available from Internet ,<URL: http://www.gsmarena.com>.*

Primary Examiner—Jeffrey D Asch

(74) *Attorney, Agent, or Firm*—Larry G. Brown

(57) **CLAIM**

The ornamental design for a communication device, as shown and described.

DESCRIPTION

FIG. 1 is a perspective view of an ornamental design for a communication device.

FIG. 2 is a front view thereof;

FIG. 3 is a rear view thereof;

FIG. 4 is a first side view thereof;

FIG. 5 is a second side view thereof;

FIG. 6 is a top view thereof;

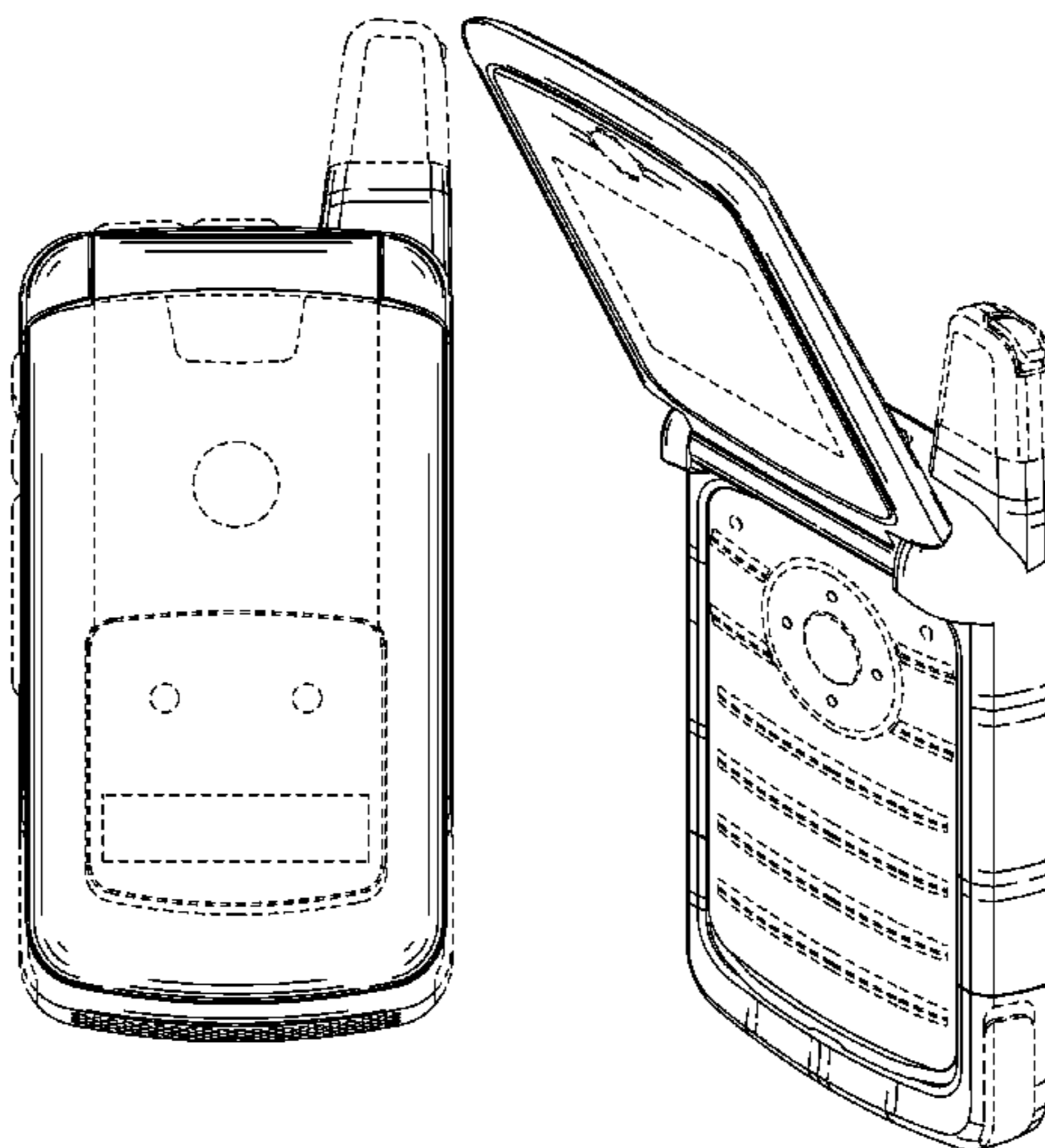
FIG. 7 is a bottom view thereof;

FIG. 8 is an open perspective view thereof; and,

FIG. 9 is an open front view thereof.

The broken lines throughout the views, which are immediately adjacent to the shaded areas and define unshaded regions, represent the bounds of the claimed design, while all other broken lines are directed to environment and are for illustrative purposes only; the broken lines form no part of the claimed design. The large unshaded regions in FIGS. 8 and 9, which are outlined by a solid line and define the keypad area, form no part of the claimed design.

1 Claim, 7 Drawing Sheets



US D599,766 S

Page 2

U.S. PATENT DOCUMENTS

D513,505 S *	1/2006	Lee	D14/138 AB	D571,337 S *	6/2008	Lee et al.	D14/138
D535,635 S *	1/2007	Hwang et al.	D14/138 AB	D571,769 S *	6/2008	Lee et al.	D14/138
D537,061 S *	2/2007	Oh	D14/138 AB	D575,755 S *	8/2008	Kim et al.	D14/138
D554,094 S *	10/2007	Ribeiro et al.	D14/138 AB	D575,758 S *	8/2008	Nilsen et al.	D14/138
D556,164 S *	11/2007	Dry et al.	D14/138 AB	D576,142 S *	9/2008	Park et al.	D14/138 AB
D559,216 S *	1/2008	Sheu	D14/138 AB	D576,982 S *	9/2008	Seo	D14/138 AB
D561,719 S *	2/2008	Cho	D14/138 AB	D578,102 S *	10/2008	Park	D14/138 AB
D563,365 S *	3/2008	Kim	D14/138 AB	D578,979 S *	10/2008	Choi et al.	D14/138 R
D563,376 S *	3/2008	Arnholt et al.	D14/138 AB	D578,981 S *	10/2008	Park et al.	D14/138 R
D565,529 S *	4/2008	Dry et al.	D14/138 AB	D582,874 S *	12/2008	Mezaki	D14/138 AB
					2006/0142053 A1 *	6/2006	Garcia et al.	455/556.1

* cited by examiner

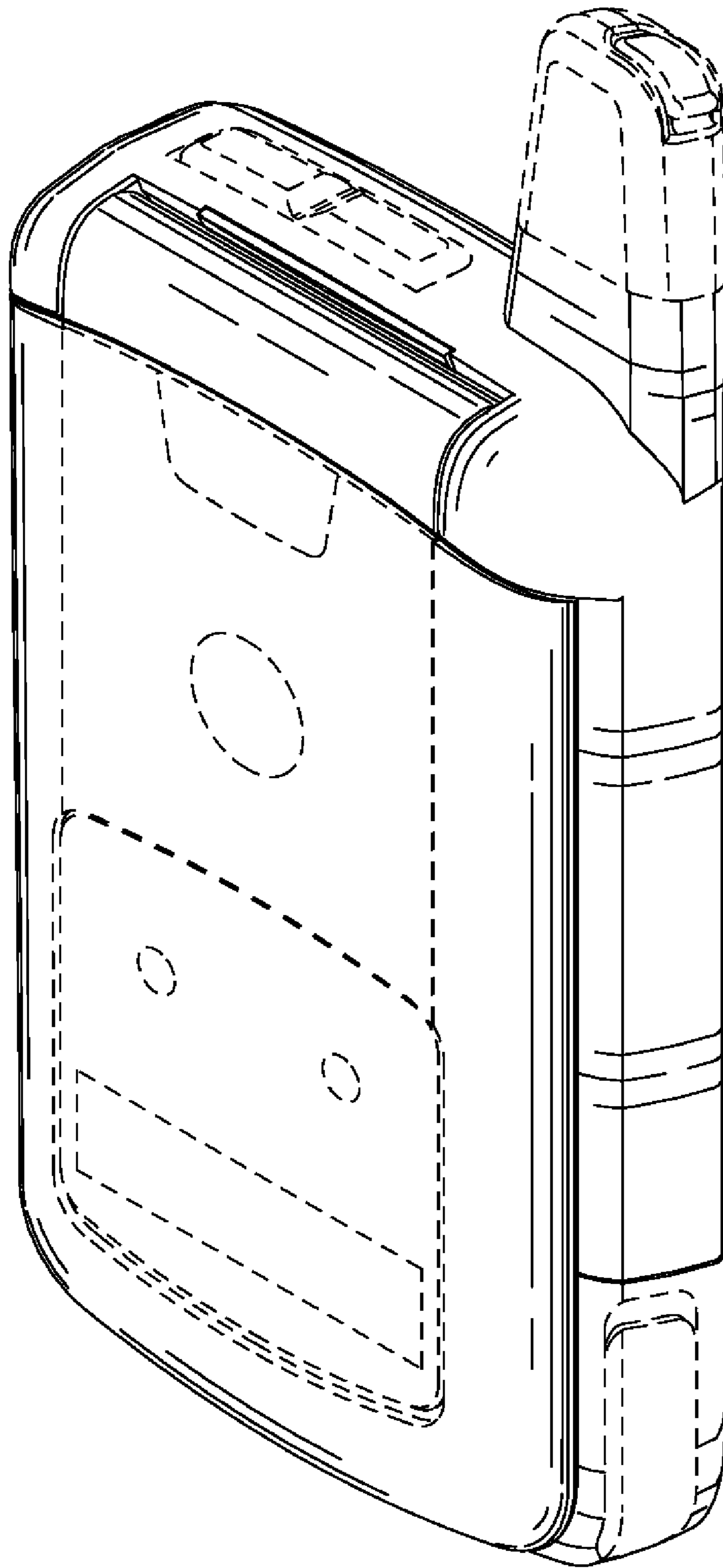


FIG. 1

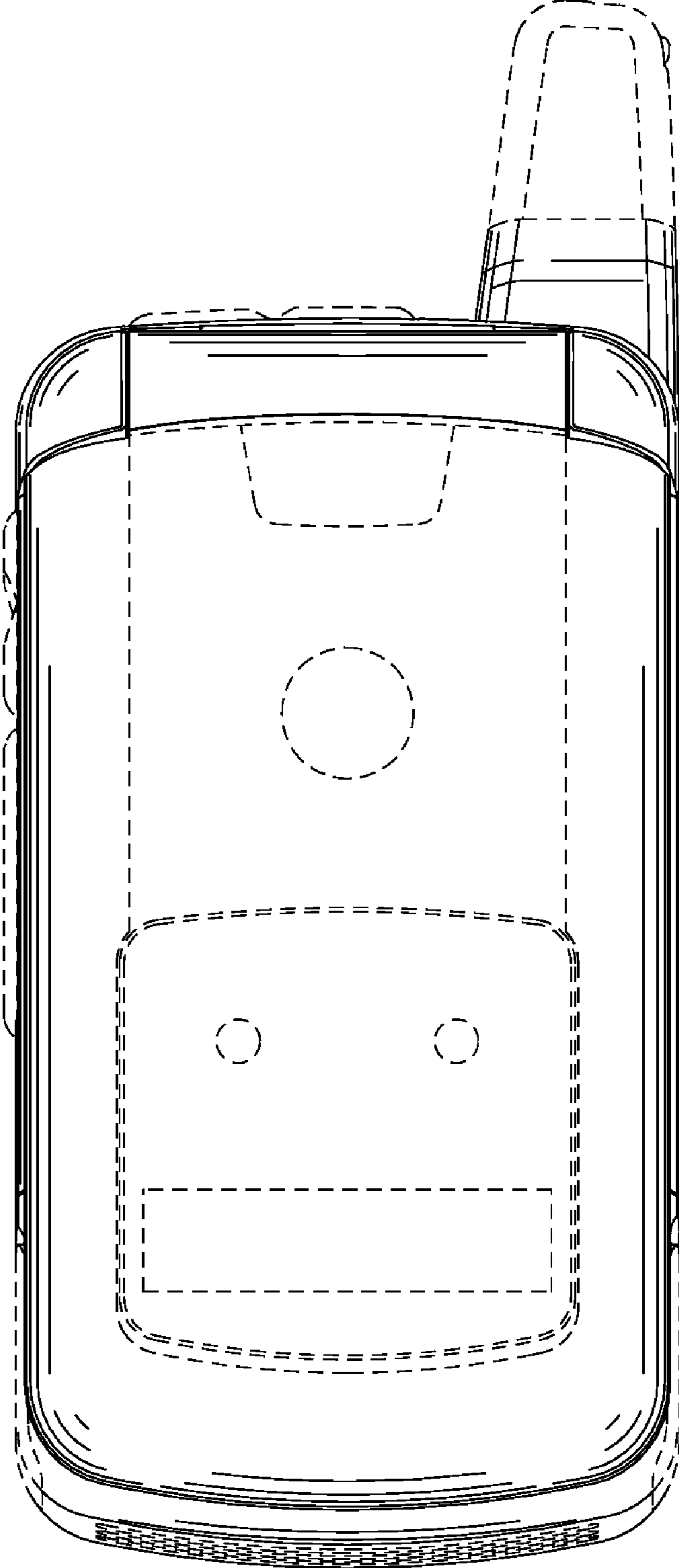


FIG. 2

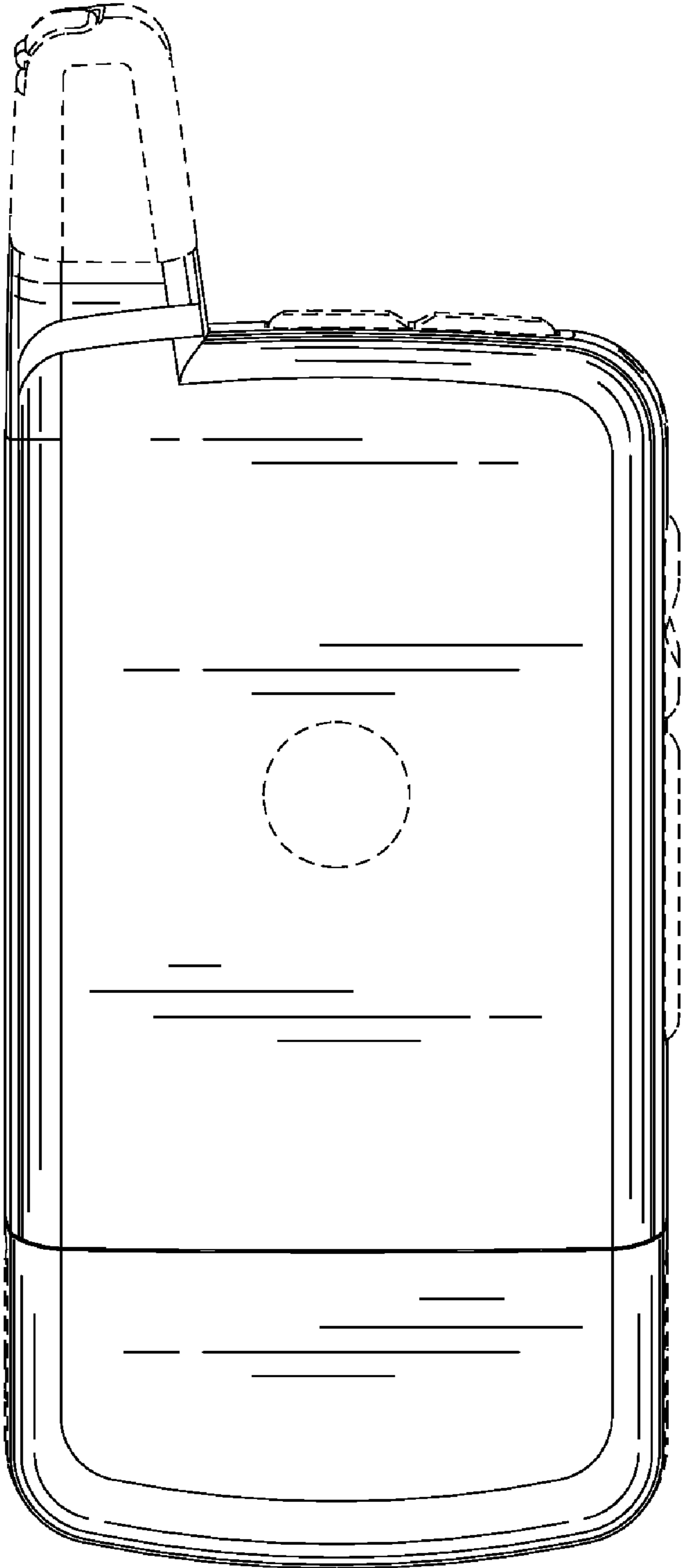


FIG. 3

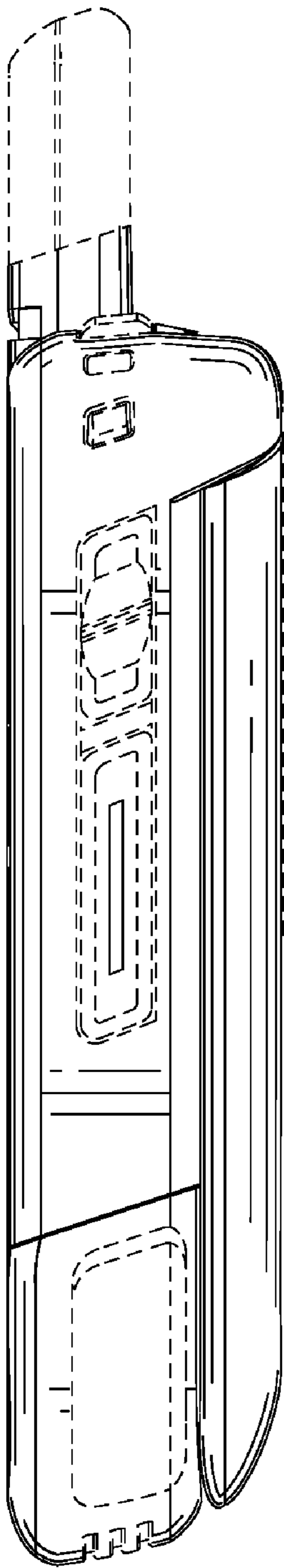


FIG. 4

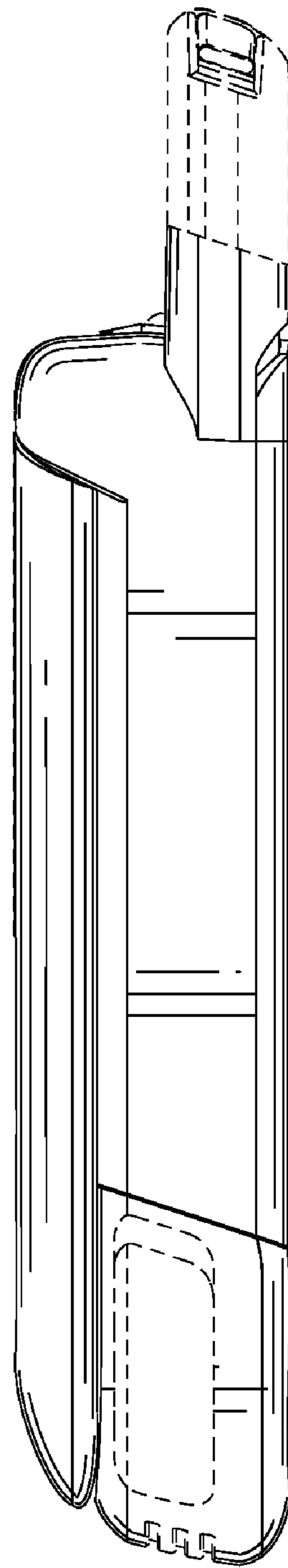


FIG. 5

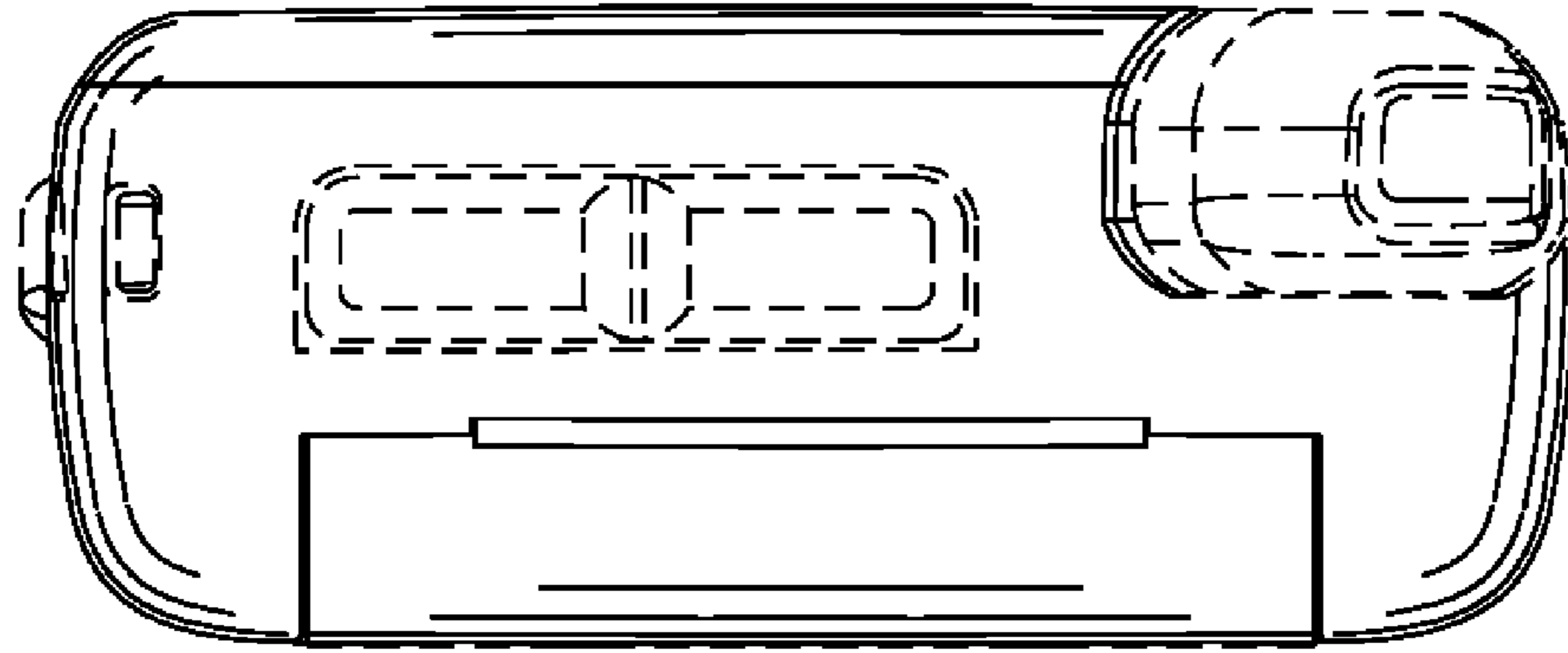


FIG. 6

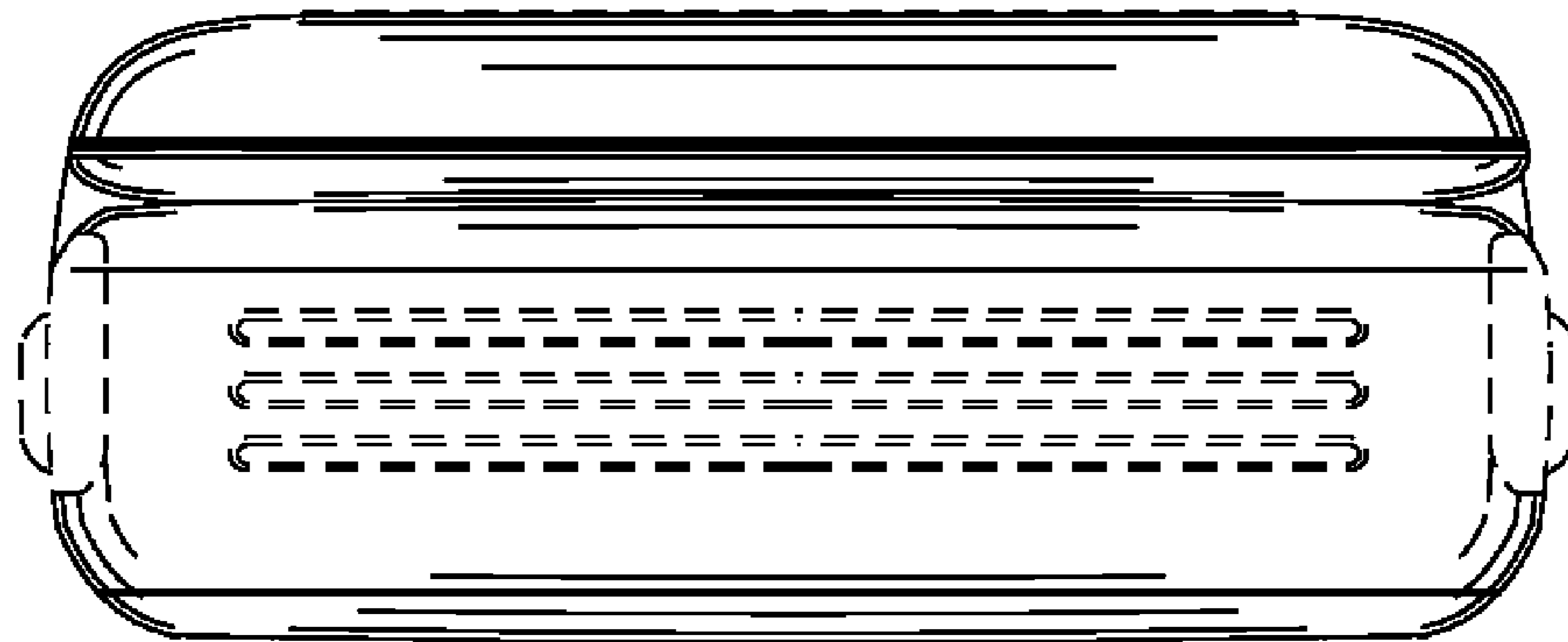


FIG. 7

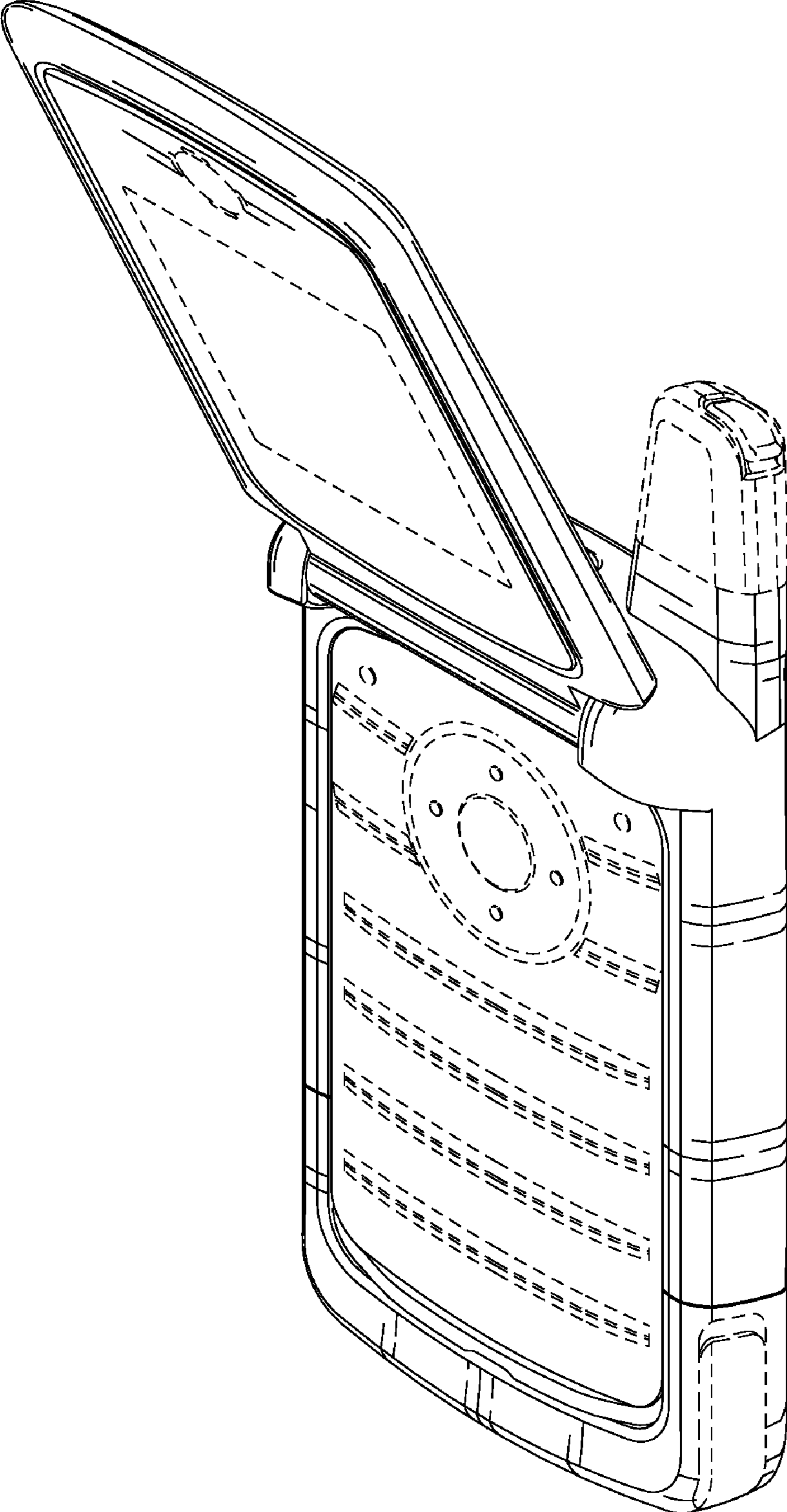


FIG. 8

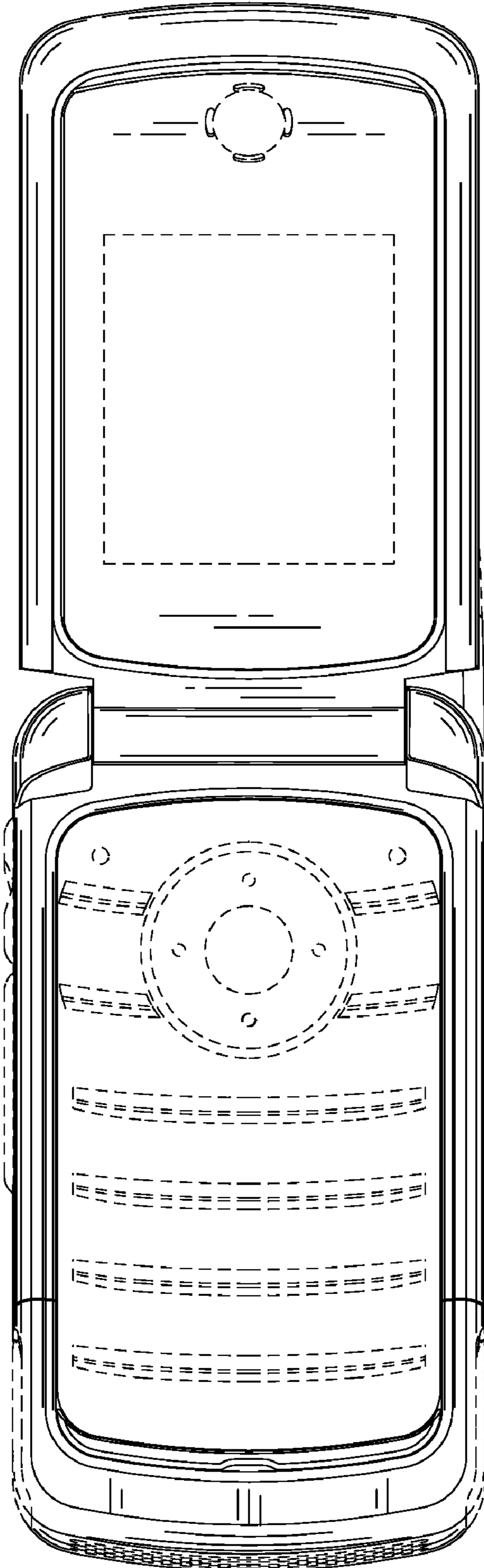


FIG. 9