

US00D599763S

(12) **United States Design Patent**
Vuolteenaho et al.

(10) **Patent No.:** **US D599,763 S**
(45) **Date of Patent:** **** Sep. 8, 2009**

(54) **HANDSET**

D563,933 S * 3/2008 Lee et al. D14/138 AB
D570,815 S * 6/2008 Son et al. D14/138 AD

(75) Inventors: **Hanna Vuolteenaho**, Oulu (FI); **Nora Brelo**, Oulu (FI); **Anna Klemettila**, Oulu (FI)

(Continued)

FOREIGN PATENT DOCUMENTS

(73) Assignee: **Nokia Corporation**, Espoo (FI)

WO DM/069886 * 12/2007

(**) Term: **14 Years**

OTHER PUBLICATIONS

(21) Appl. No.: **29/303,529**

Alcatel OT-C717, announced Feb. 2007, [online], [retrieved on Feb. 16, 2007]. Retrieved from Internet ,<URL: http://www.gsmarena.com>.*

(22) Filed: **Feb. 11, 2008**

(Continued)

(51) **LOC (9) Cl.** **14-03**

Primary Examiner—Jeffrey D Asch

(52) **U.S. Cl.** **D14/138 AD**

Assistant Examiner—Bridget L Eland

(58) **Field of Classification Search** D14/137,
D14/138 R, 138 AA, 138 AB, 138 AC, 138 AD,
D14/138 C, 138 G, 147, 191, 218, 247–248,
D14/341–347, 455, 496; D10/65, 78, 104;
D13/168; D18/7; 455/556.1, 566, 575.1,
455/575.3; 345/169

(74) *Attorney, Agent, or Firm*—Banner & Witcoff, Ltd.

See application file for complete search history.

(57) **CLAIM**

(56) **References Cited**

The ornamental design for a handset, as shown and described.

U.S. PATENT DOCUMENTS

DESCRIPTION

- D503,699 S * 4/2005 Lee et al. D14/138 AD
- D508,473 S * 8/2005 Lee et al. D14/138 AD
- D509,202 S * 9/2005 Lee et al. D14/138 AD
- D511,342 S * 11/2005 Chien D14/346
- D526,222 S * 8/2006 Uehara D10/65
- D526,986 S 8/2006 Kim
- D530,295 S * 10/2006 Chung et al. D14/138 AD
- D534,516 S * 1/2007 Lheem D14/138 AD
- D536,691 S * 2/2007 Park D14/138 AD
- D544,459 S * 6/2007 Wang D14/138 AD
- D548,714 S * 8/2007 Kim et al. D14/138 AD
- D548,715 S * 8/2007 Lee et al. D14/138 AD
- D549,204 S * 8/2007 Cho D14/138 AD
- D549,205 S * 8/2007 Cho D14/138 AD
- D560,193 S * 1/2008 Sung et al. D14/138 AD
- D563,369 S * 3/2008 Kim et al. D14/138 AD
- D563,929 S * 3/2008 Park D14/138 AD

FIG. 1 is a top view of a first embodiment of a handset in a closed configuration showing my new design;

FIG. 2 is a right side view thereof;

FIG. 3 is a front view thereof;

FIG. 4 is a left side view thereof;

FIG. 5 is a bottom view thereof;

FIG. 6 is a rear view thereof;

FIG. 7 is a front perspective view thereof;

FIG. 8 is a rear perspective view thereof;

FIG. 9 is a top view of the handset of FIGS. 1–8 in an open configuration;

FIG. 10 is a right side view thereof;

FIG. 11 is a front view thereof;

FIG. 12 is a left side view thereof;

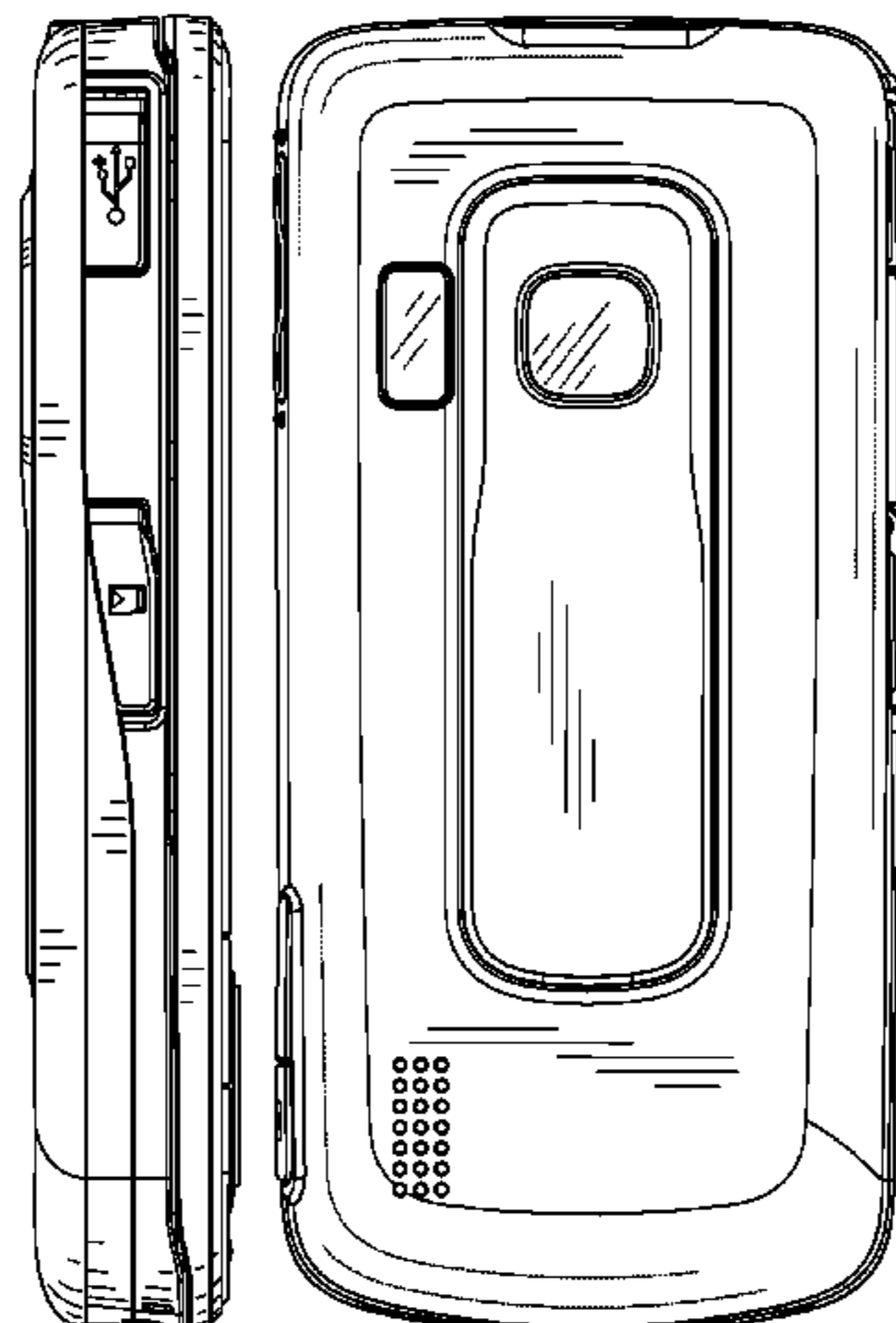
FIG. 13 is a bottom view thereof;

FIG. 14 is a rear view thereof;

FIG. 15 is a front perspective view thereof; and,

FIG. 16 is a rear perspective view thereof.

1 Claim, 8 Drawing Sheets



U.S. PATENT DOCUMENTS

D576,590 S * 9/2008 Benoit D14/138 AD
D576,595 S * 9/2008 Han et al. D14/138 AD
D580,403 S * 11/2008 Jung et al. D14/138 AD
2005/0014538 A1* 1/2005 Hyun et al. 455/575.4
2005/0070344 A1* 3/2005 Im et al. 455/575.1
2005/0124381 A1* 6/2005 Kim et al. 455/556.1
2008/0119248 A1* 5/2008 Nissen et al. 455/575.4
2008/0266378 A1* 10/2008 Ryu 348/14.02

OTHER PUBLICATIONS

BENQ-Siemens CL71, announced Mar. 2006, [online], [retrieved on Feb. 16, 2007]. Retrieved from Internet ,<URL: <http://www.gsmarena.com>>.*

Gigabyte g-Smart MS820, announced Jun. 2008, [online], [retrieved on Jun. 13, 2008]. Retrieved from Internet ,<URL: <http://www.gsmarena.com>>.*

Motorola VE75, announced Jul. 2008, [online], [retrieved on Aug. 15, 2008]. Retrieved from Internet ,<URL: <http://www.gsmarena.com>>.*

Nokia 6210 Navigator, announced Feb. 2008, [online], [retrieved on Mar. 21, 2008]. Retrieved from Internet ,<URL: <http://www.gsmarena.com>>.*

O2 X7, announced Sep. 2005, [online], [retrieved on Dec. 13, 2007]. Retrieved from Internet ,<URL: <http://www.gsmarena.com>>.*

XCute DV80, announced Feb. 2006, [online], [retrieved on Feb. 20, 2007]. Retrieved from Internet ,<URL: <http://www.gsmarena.com>>.*

Samsung Model #F250, Samsung Corporation, 1 color sheet of photographs, disclosed on or about Dec. 6, 2007.

* cited by examiner

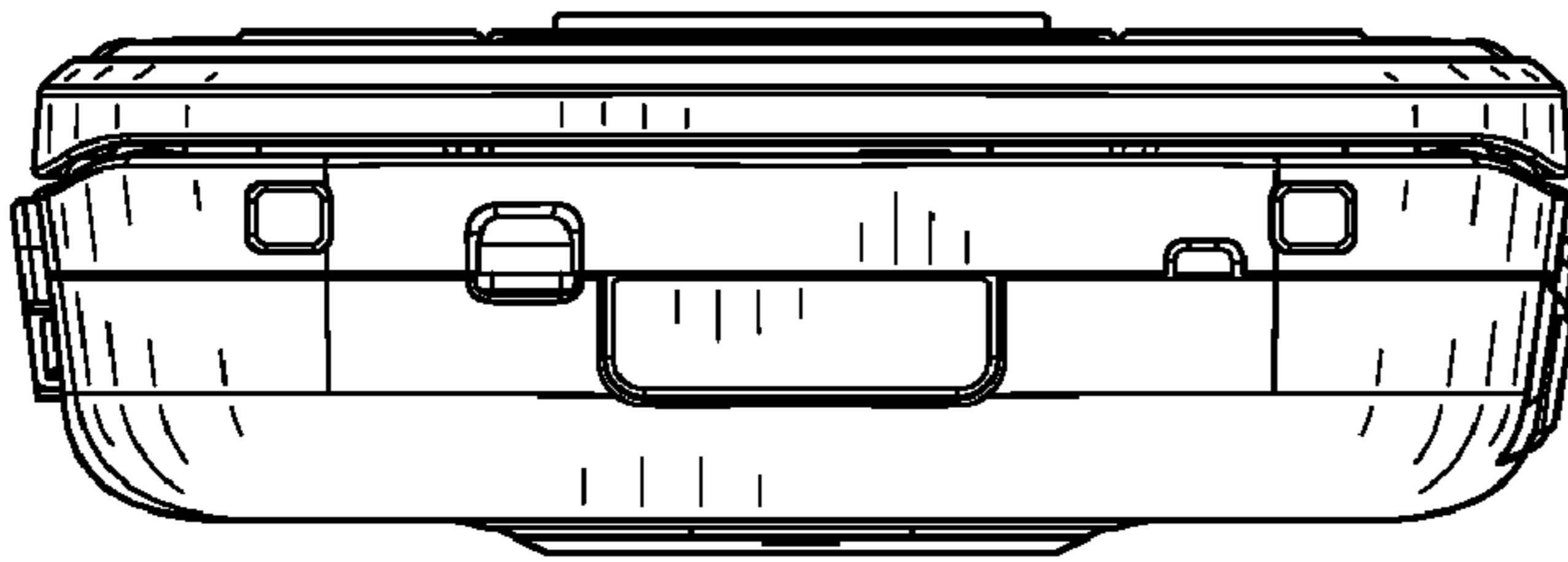


FIG. 1

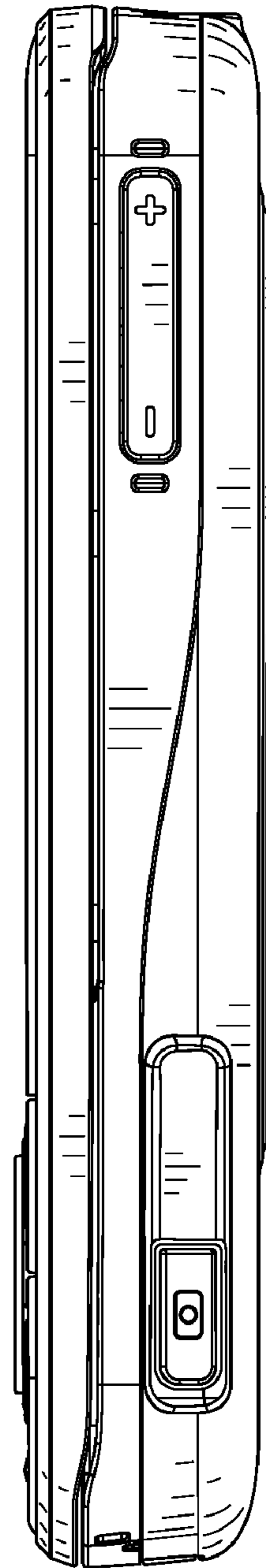


FIG. 2

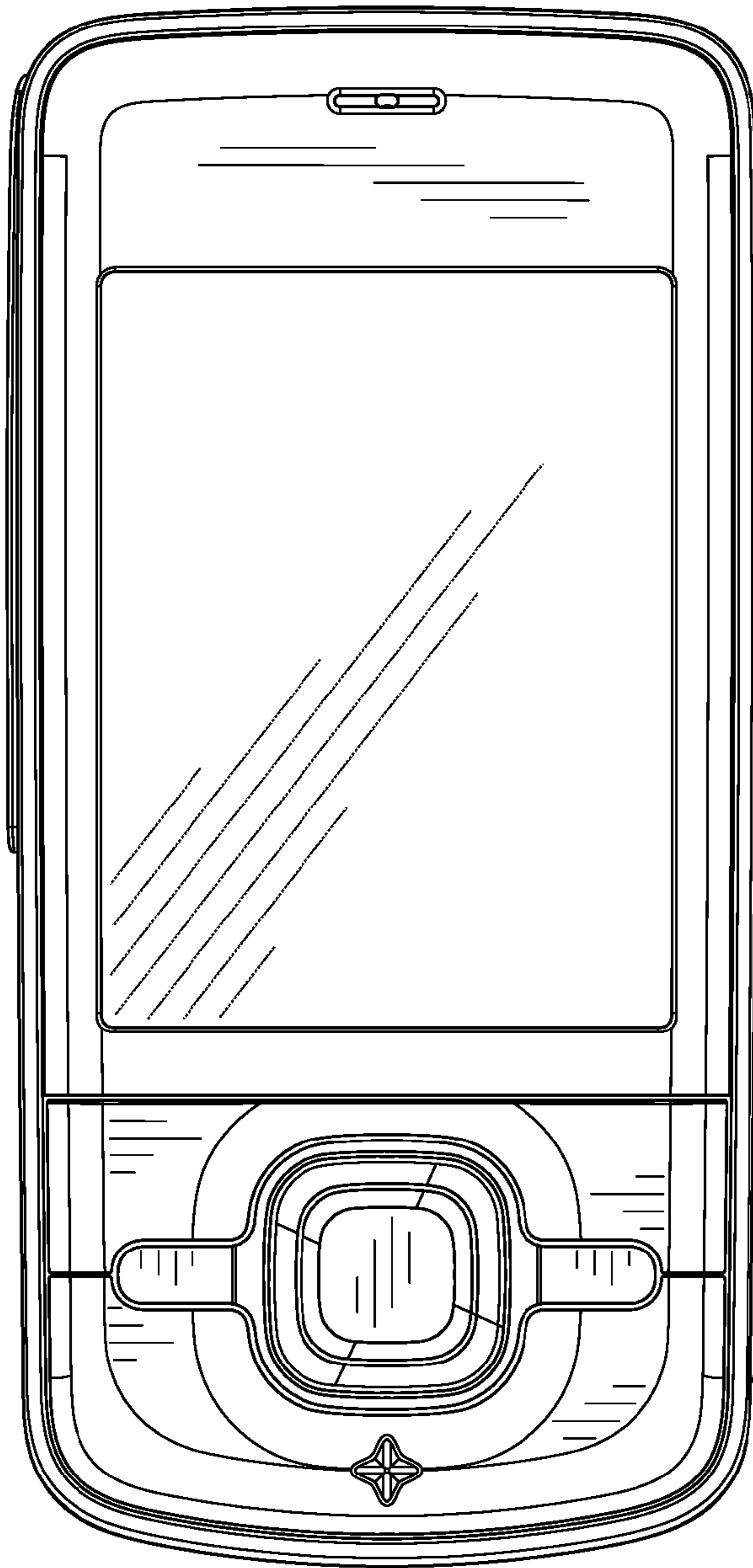


FIG. 3

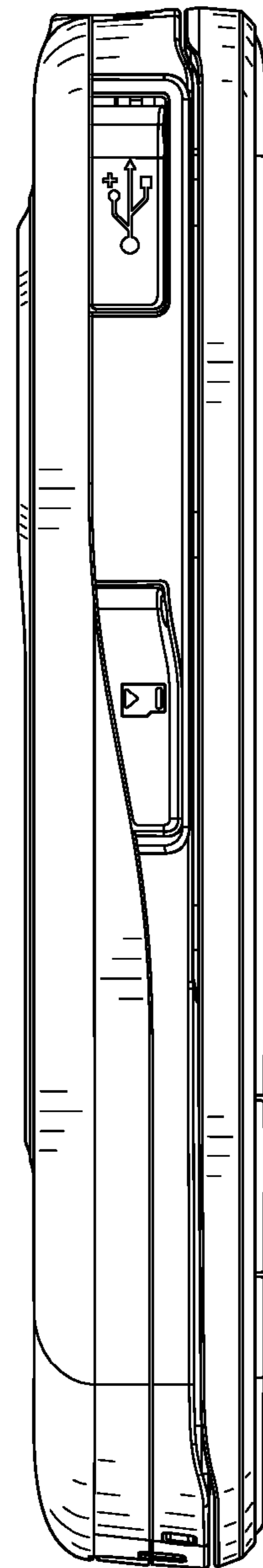


FIG. 4

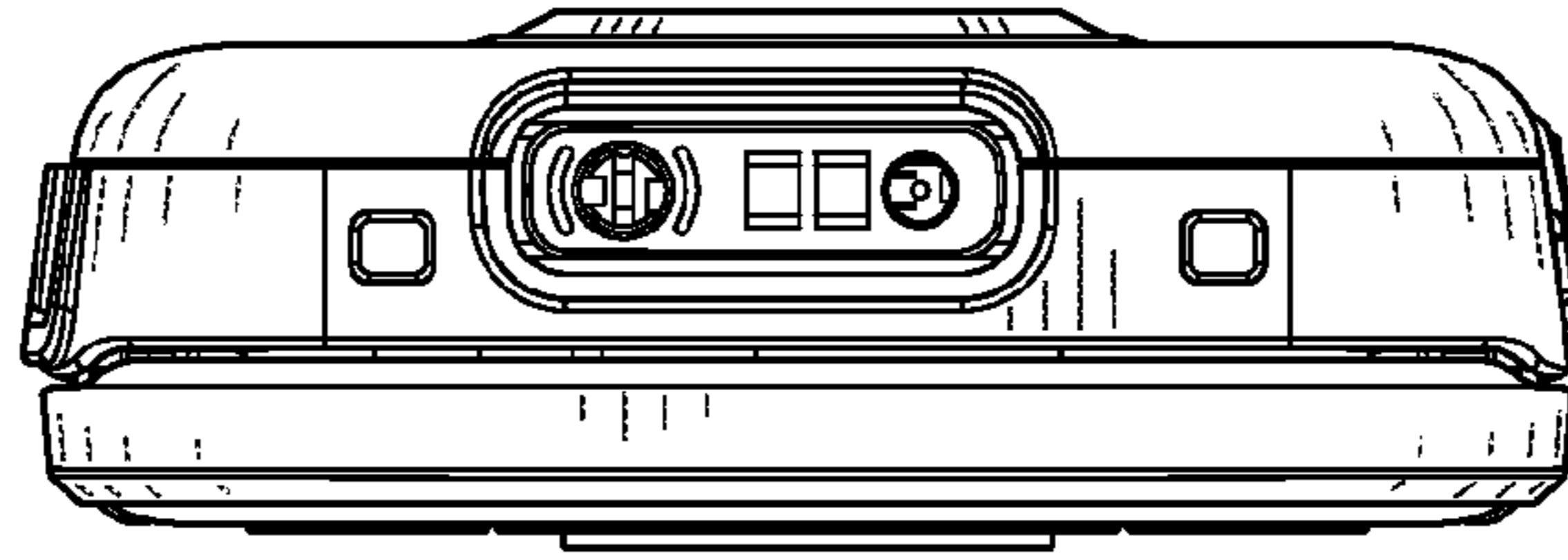


FIG. 5

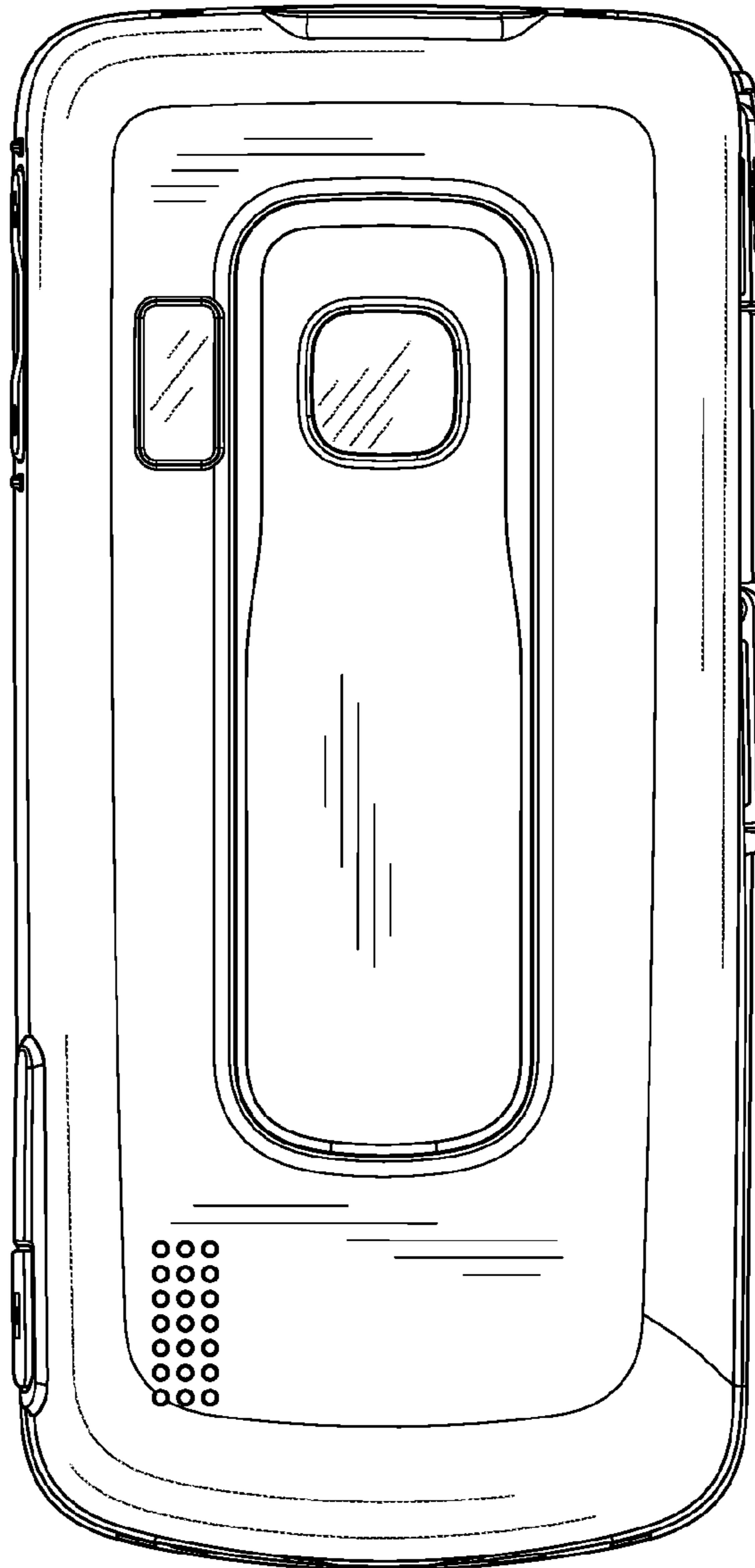


FIG. 6

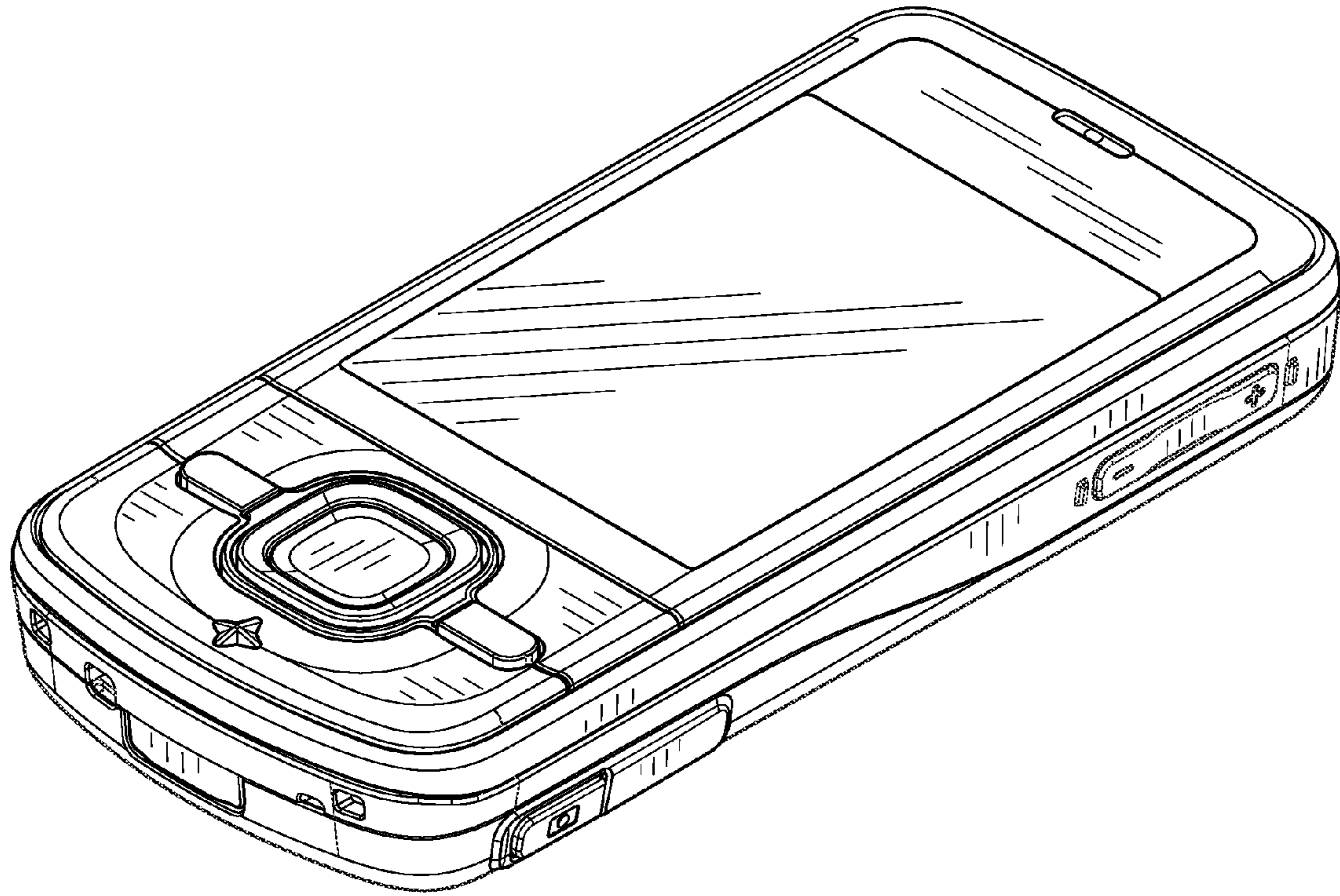


FIG. 7

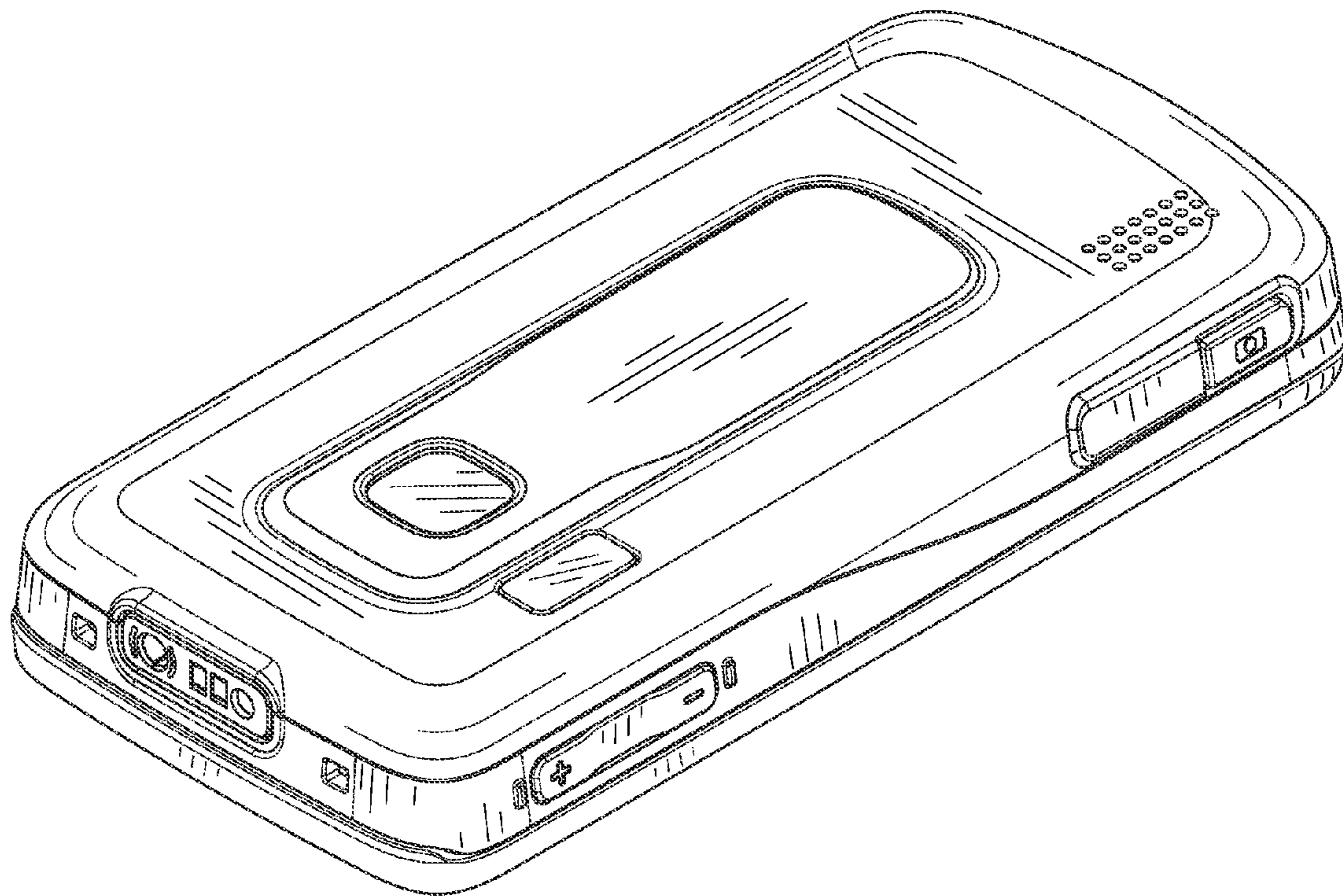


FIG. 8

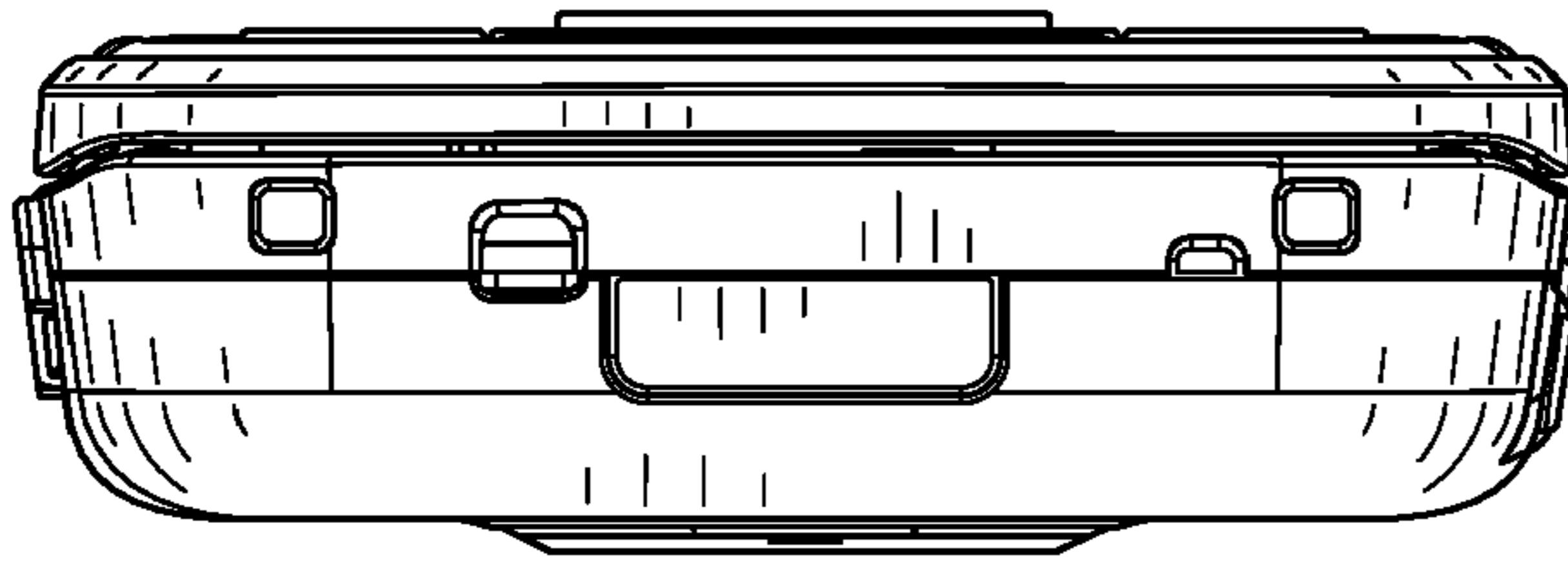


FIG. 9

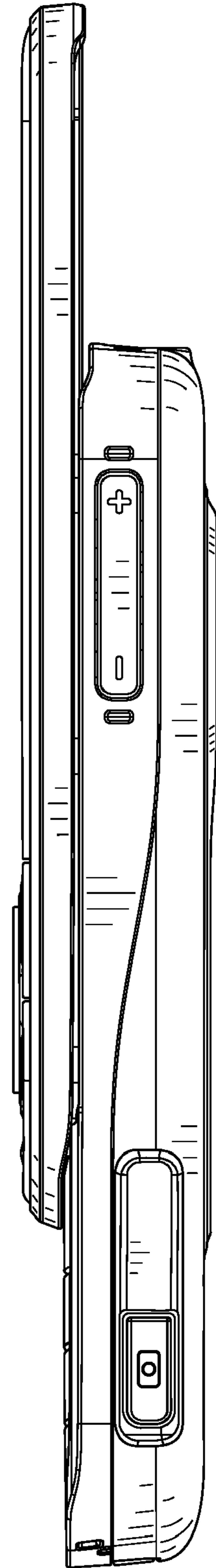


FIG. 10

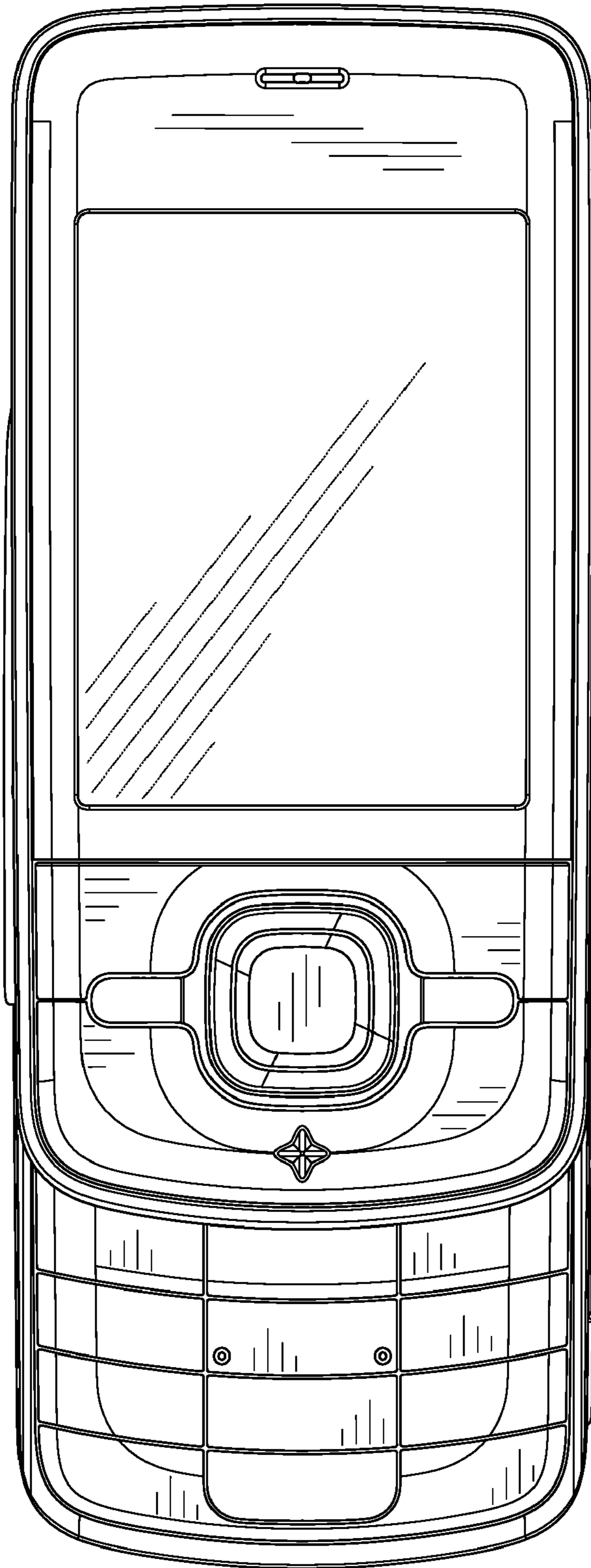


FIG. 11

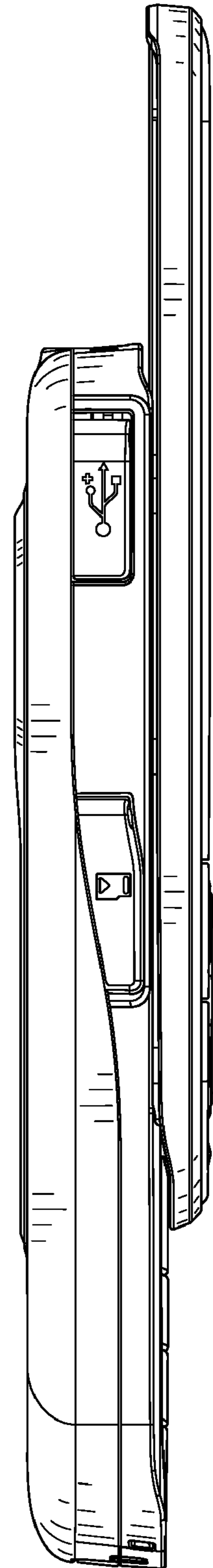


FIG. 12

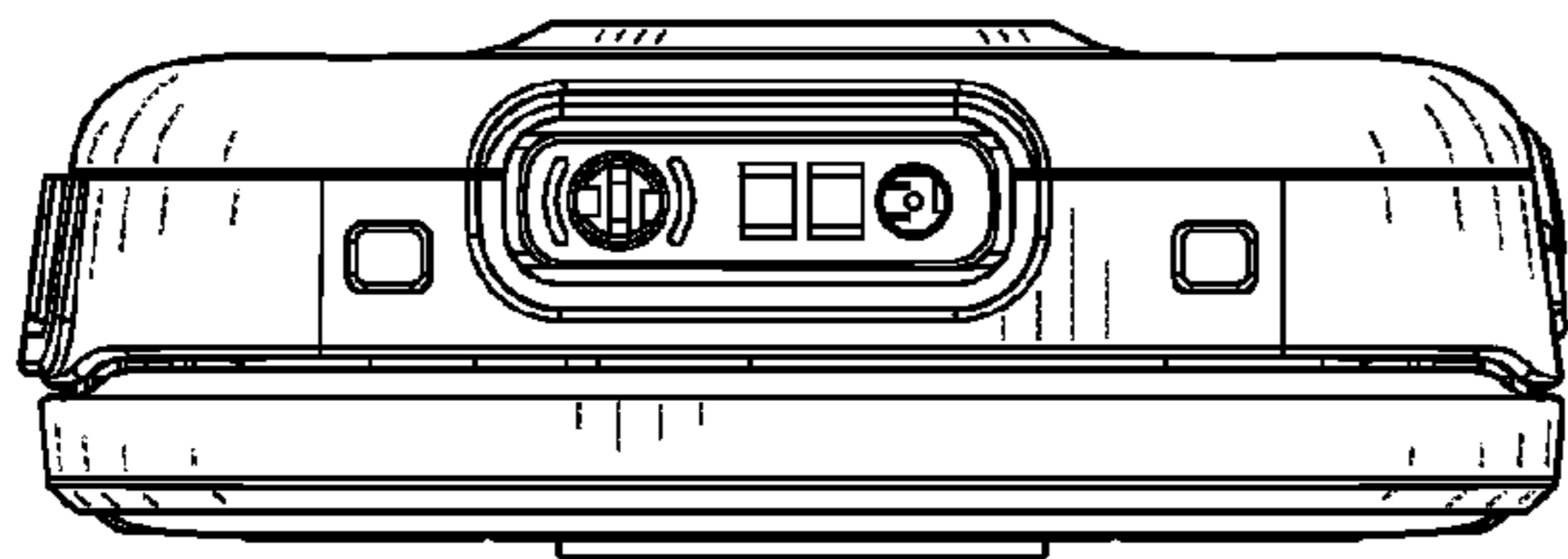


FIG. 13

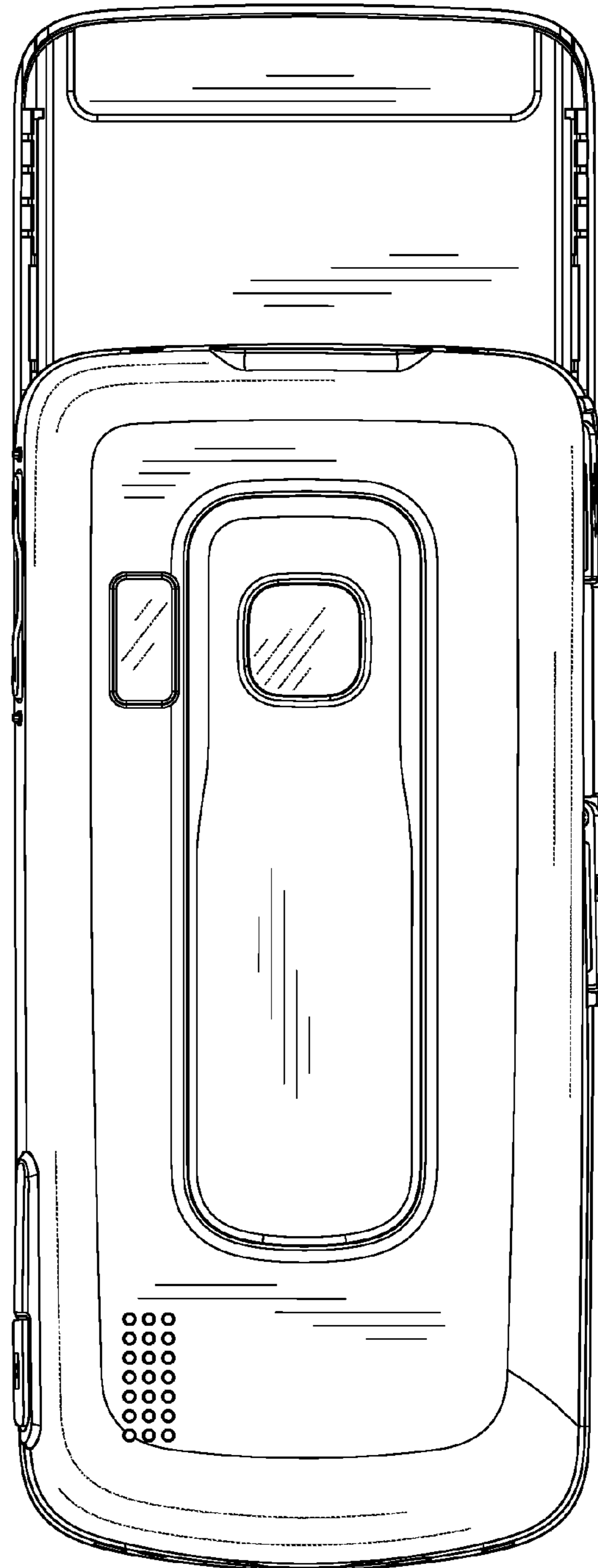


FIG. 14

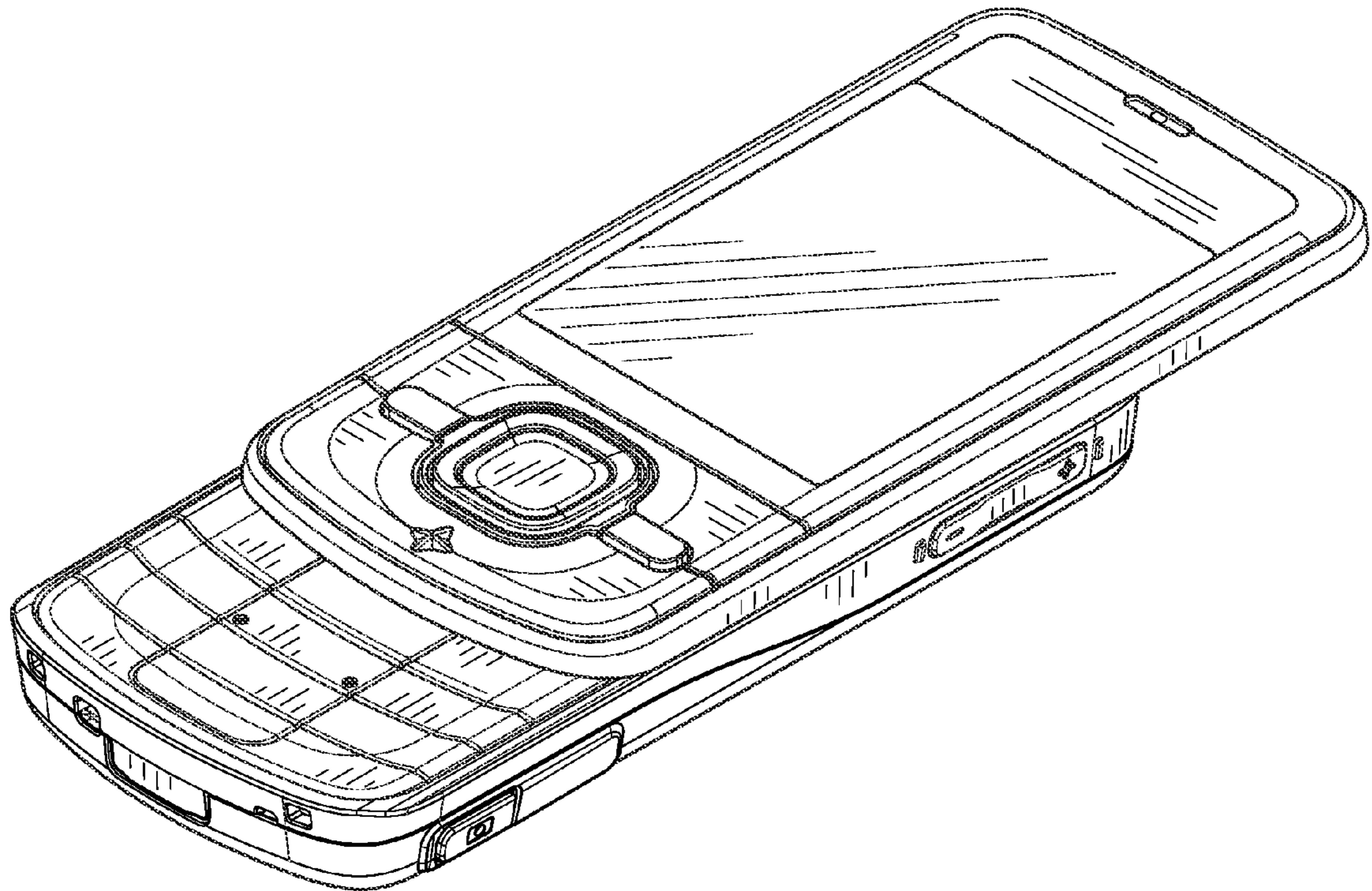


FIG. 15

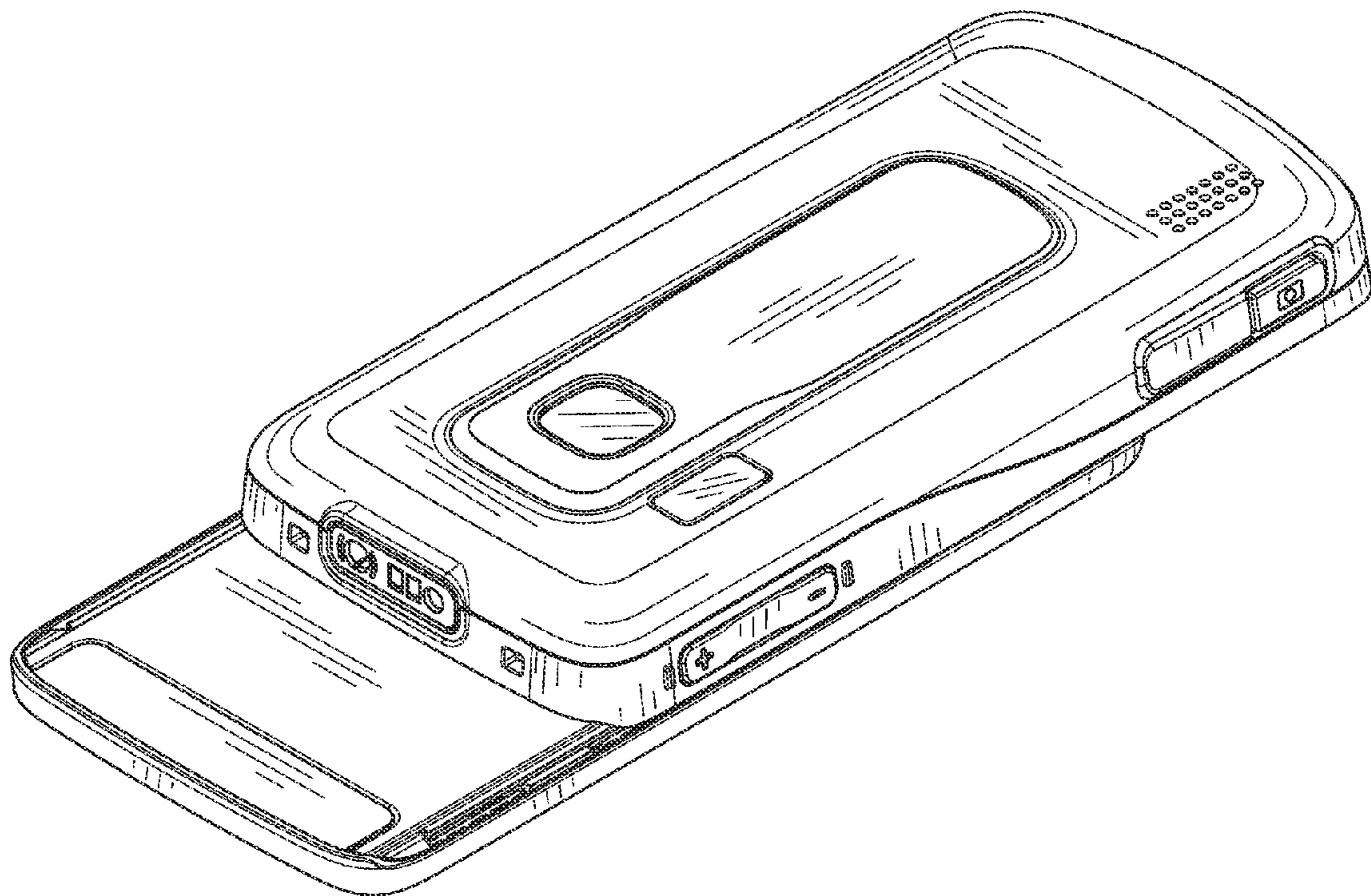


FIG. 16