

US00D599757S

(12) **United States Design Patent**
Chen

(10) **Patent No.:** **US D599,757 S**
(45) **Date of Patent:** **** Sep. 8, 2009**

- (54) **DISPLAY**
- (75) Inventor: **Yi-Cheng Chen**, Taipei County (TW)
- (73) Assignee: **Hannspree, Inc.**, Taipei (TW)
- (**) Term: **14 Years**
- (21) Appl. No.: **29/330,454**
- (22) Filed: **Jan. 7, 2009**
- (51) **LOC (9) Cl.** **14-03**
- (52) **U.S. Cl.** **D14/126**
- (58) **Field of Classification Search** D14/125-134,
D14/239, 371, 136, 374-377, 440, 450, 448,
D14/336, 342; 312/7.2; 348/836, 838, 180,
348/184, 325, 739; 341/12; 248/917-924,
248/465; 345/104, 133, 156, 168, 87, 173;
720/605, 669, 600, 655; 369/99, 197; 455/344,
455/347; D21/329, 515, 577, 622, 333, 433,
D21/448, 452, 450, 331, 604, 605, 616; D6/477,
D6/479; 273/148 B; 446/484, 175, 356;
D10/15, 26

See application file for complete search history.

(56) **References Cited**

U.S. PATENT DOCUMENTS

5,072,998 A * 12/1991 Oh 312/204

- D495,705 S * 9/2004 Borsboom D14/371
- D516,067 S * 2/2006 Hsieh D14/371
- D518,045 S * 3/2006 Tsao D14/371
- D519,955 S * 5/2006 Hoehn et al. D14/126
- D520,469 S * 5/2006 Lin D14/126
- D546,789 S * 7/2007 Lee D14/126

* cited by examiner

Primary Examiner—Raphael Barkai
(74) *Attorney, Agent, or Firm*—Schmeiser, Olsen & Watts,
LLP

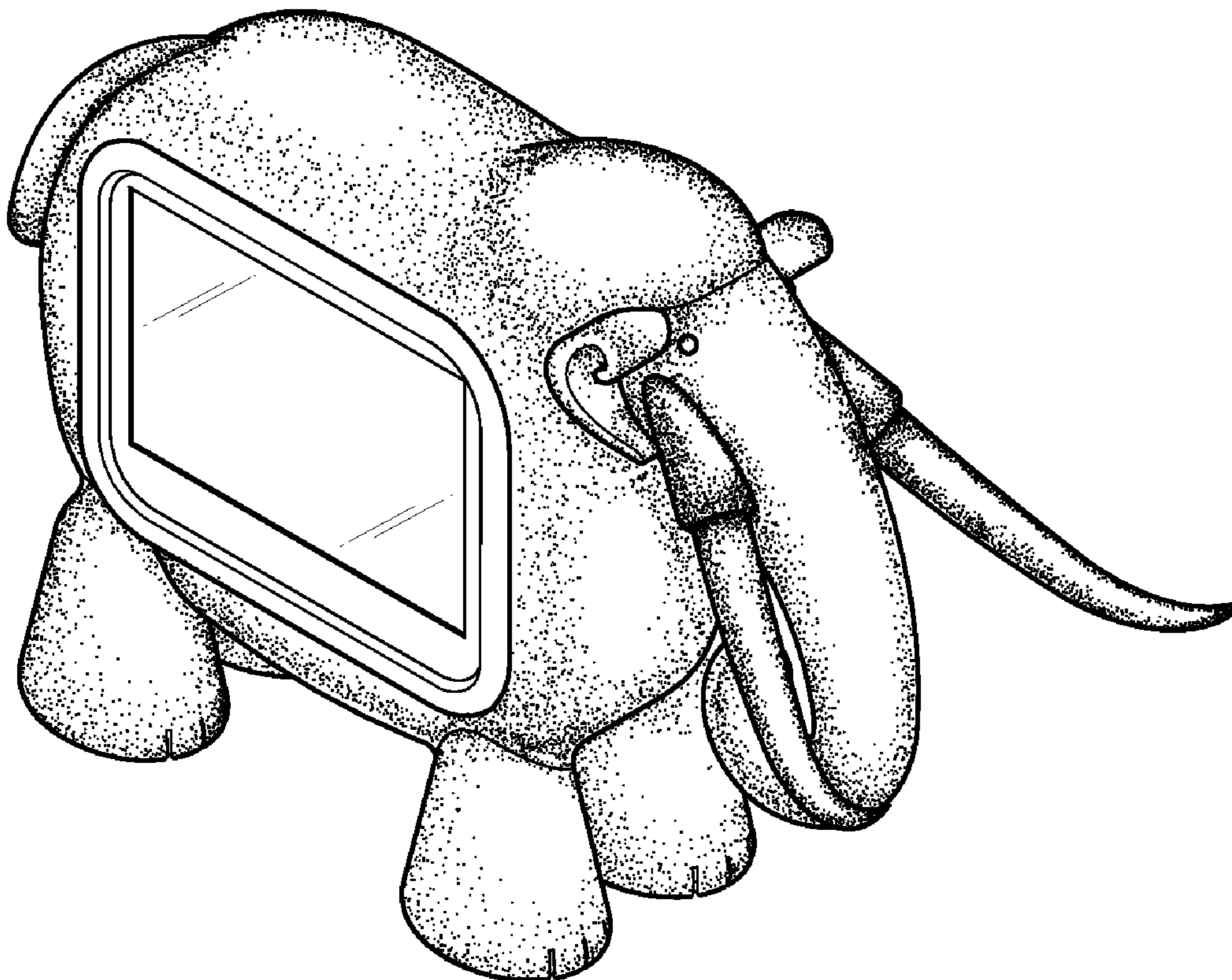
(57) **CLAIM**

The ornamental design for a display, as shown and described.

DESCRIPTION

- FIG. 1 is a front perspective view of display showing my new design;
- FIG. 2 is a front elevational view thereof;
- FIG. 3 is a rear elevational view thereof;
- FIG. 4 is a left side elevational view thereof;
- FIG. 5 is a right side elevational view thereof;
- FIG. 6 is a top plan view thereof; and,
- FIG. 7 is a bottom plan view thereof.

1 Claim, 4 Drawing Sheets



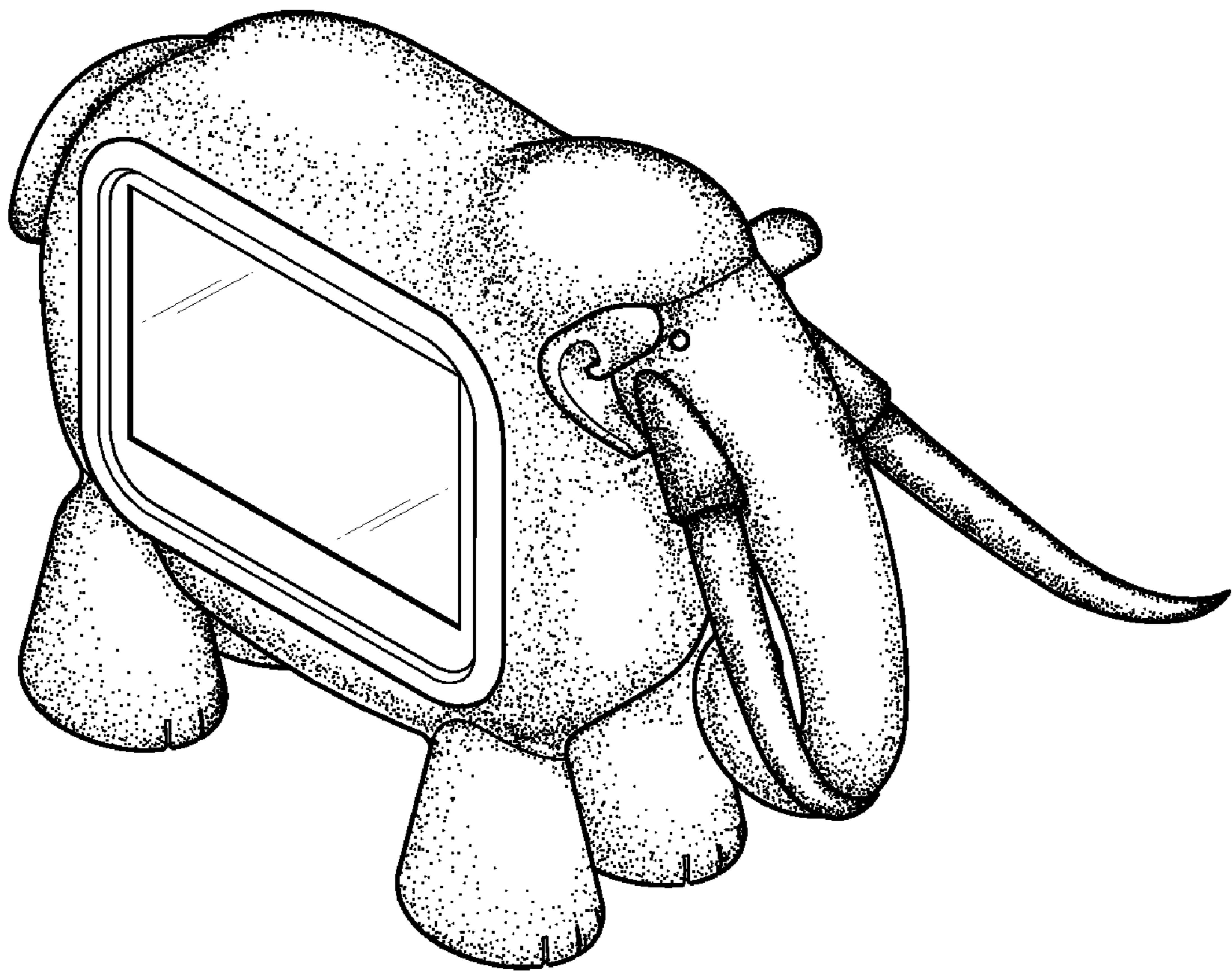


FIG.1

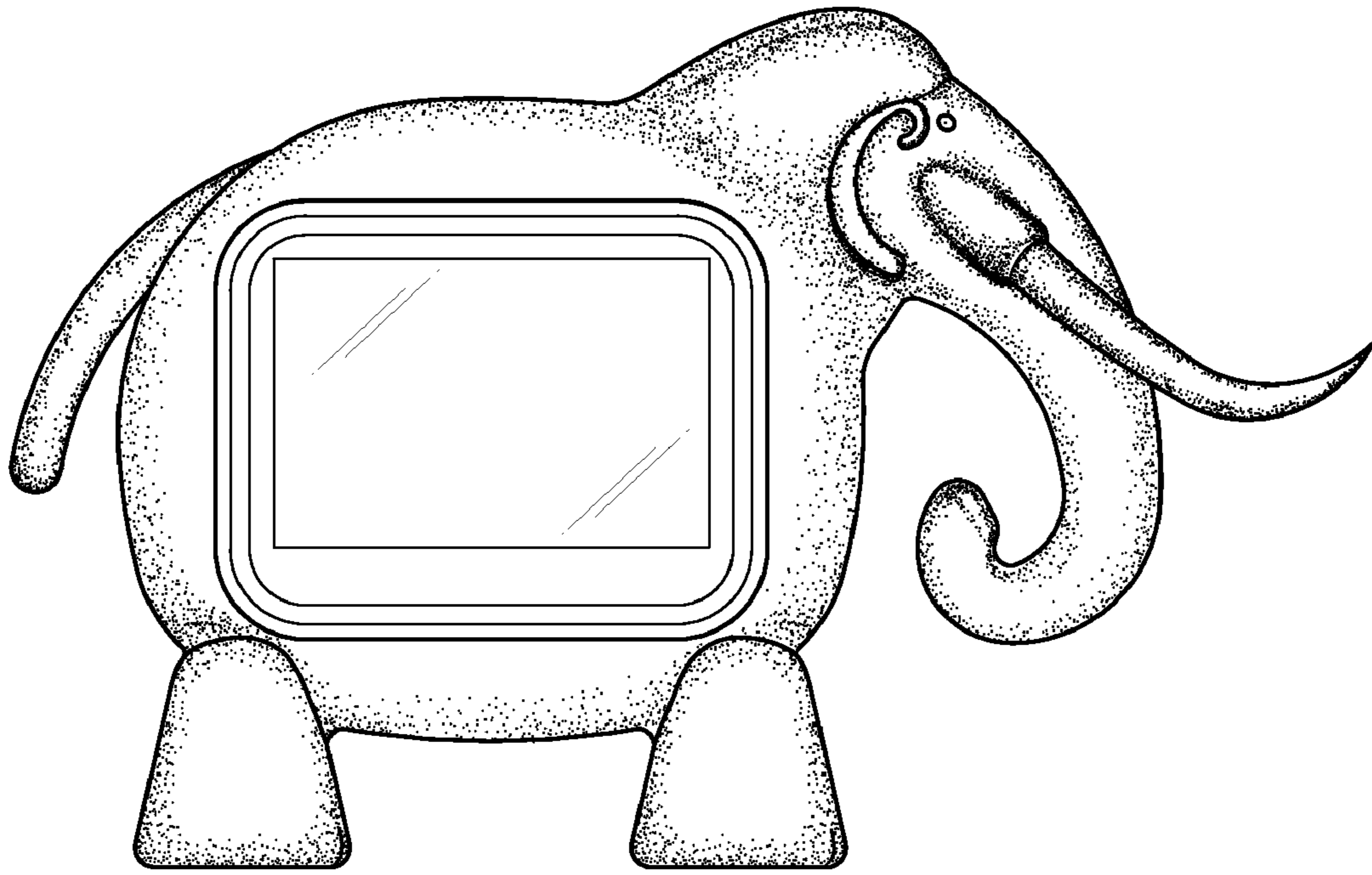


FIG. 2

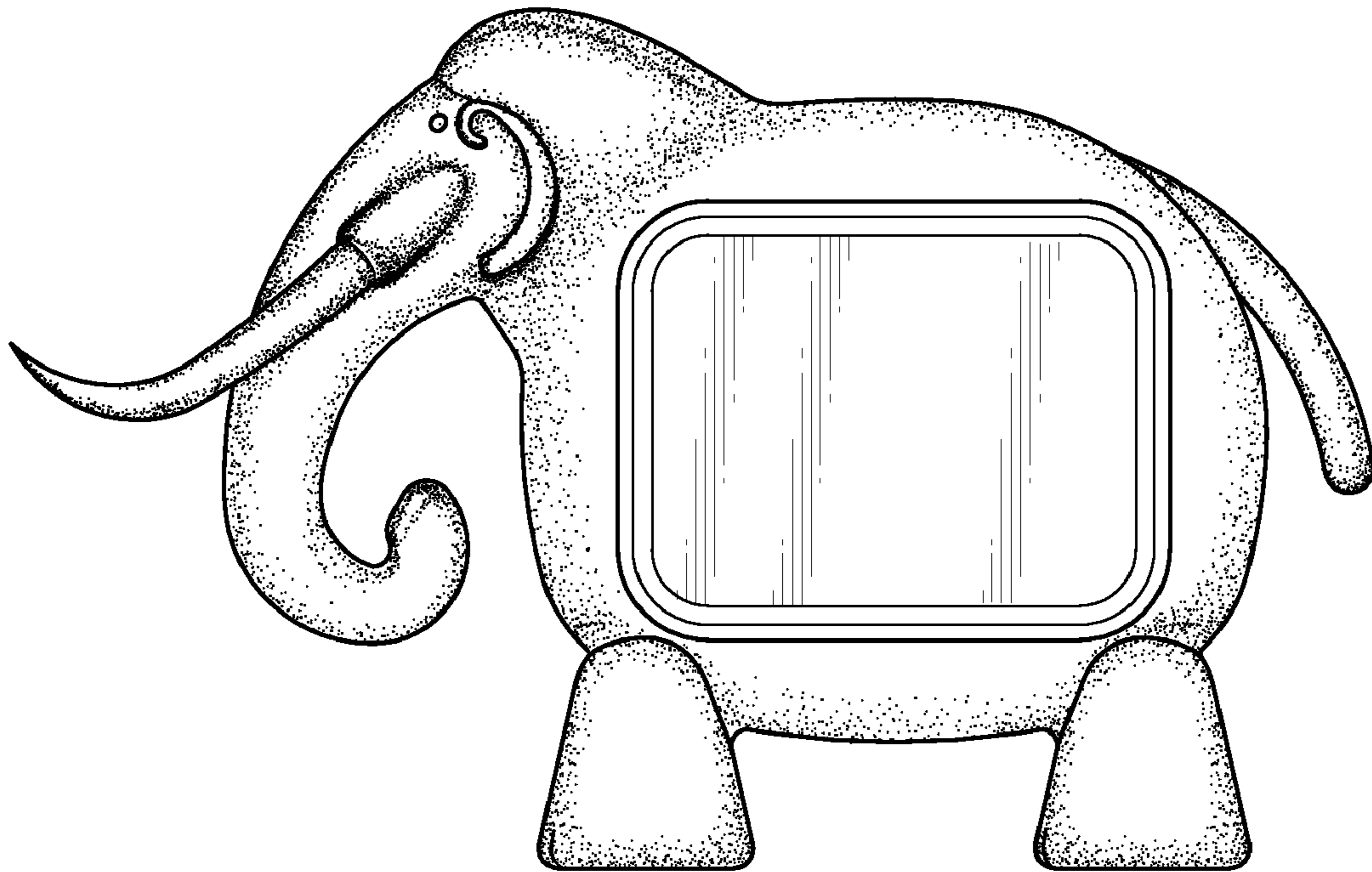


FIG. 3

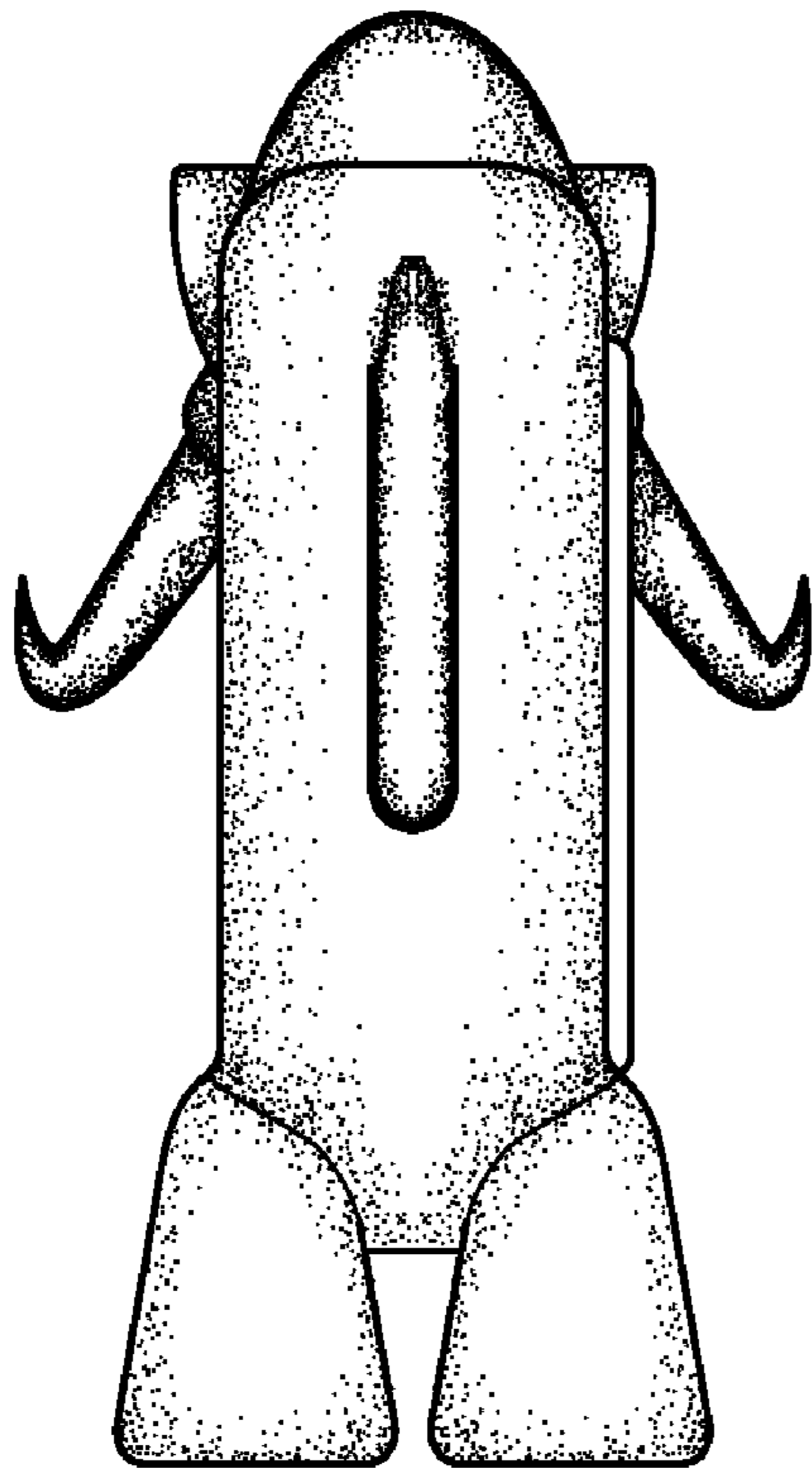


FIG.4

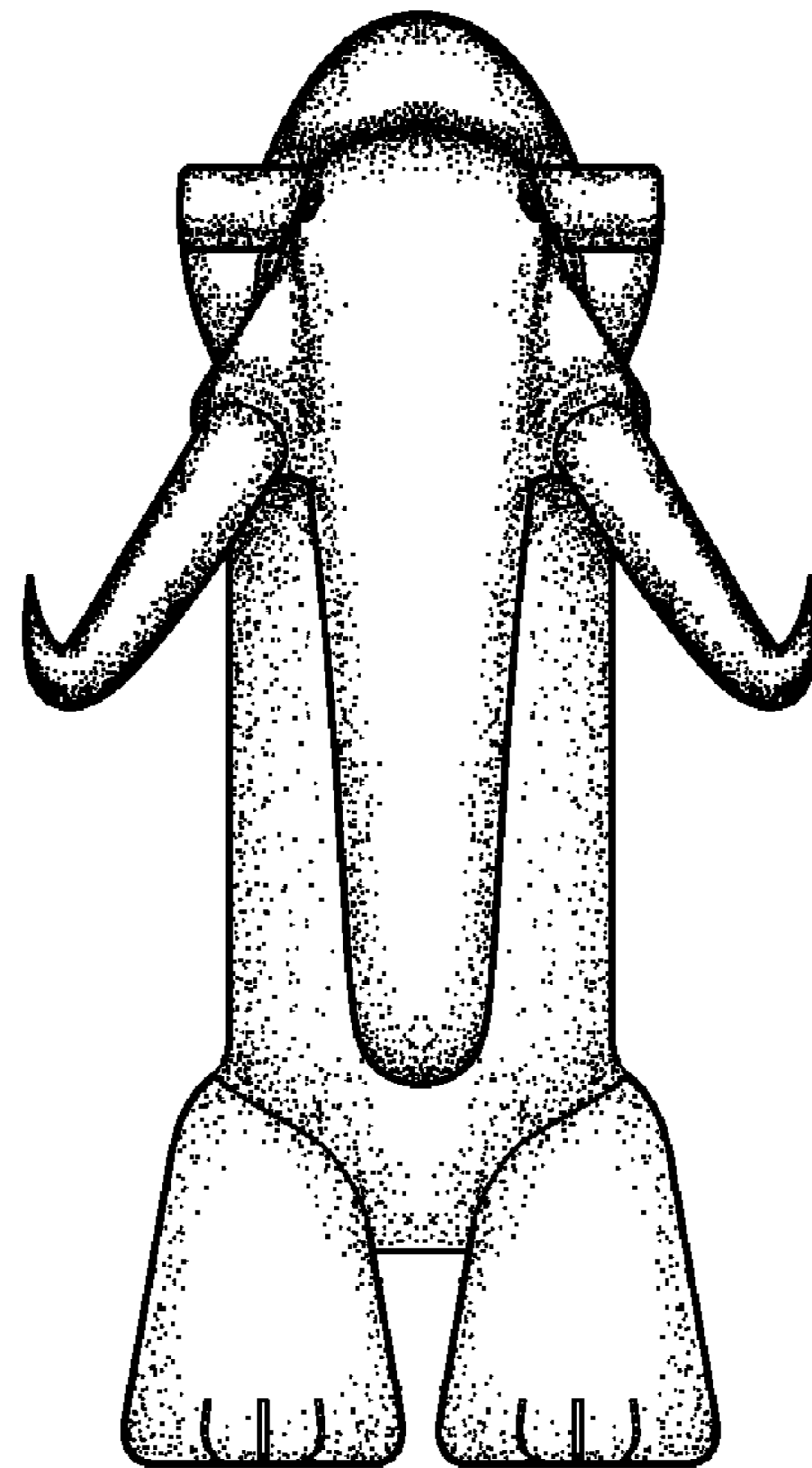


FIG.5

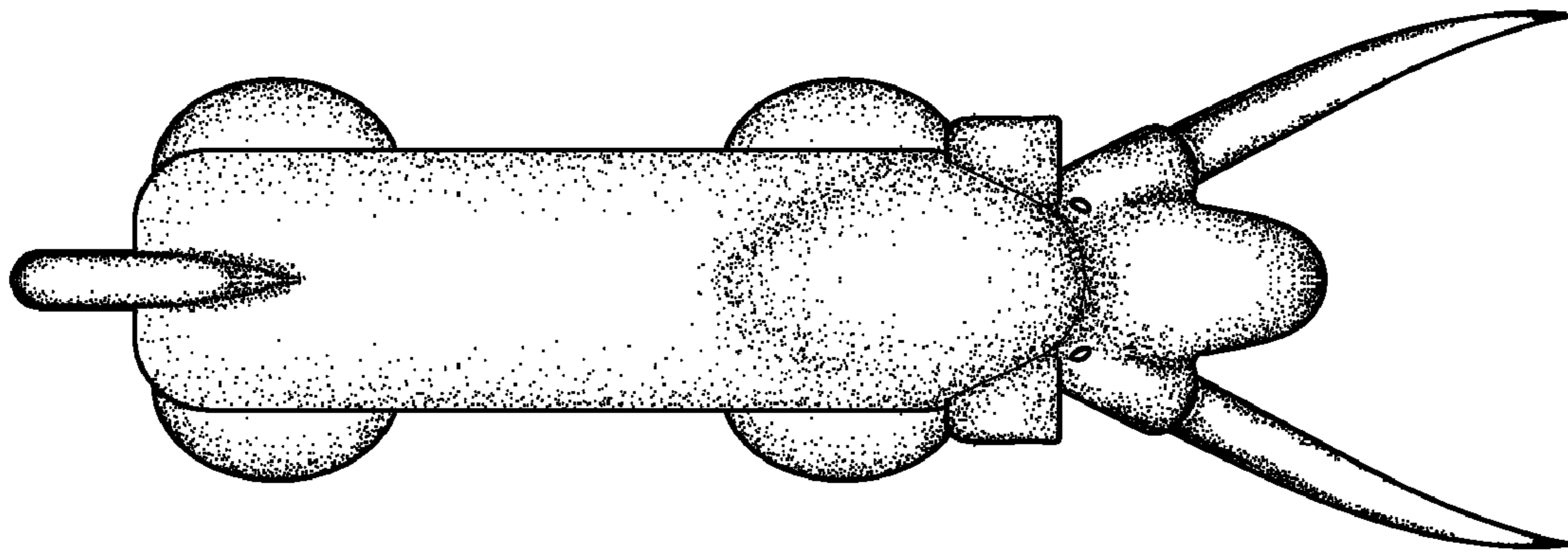


FIG. 6

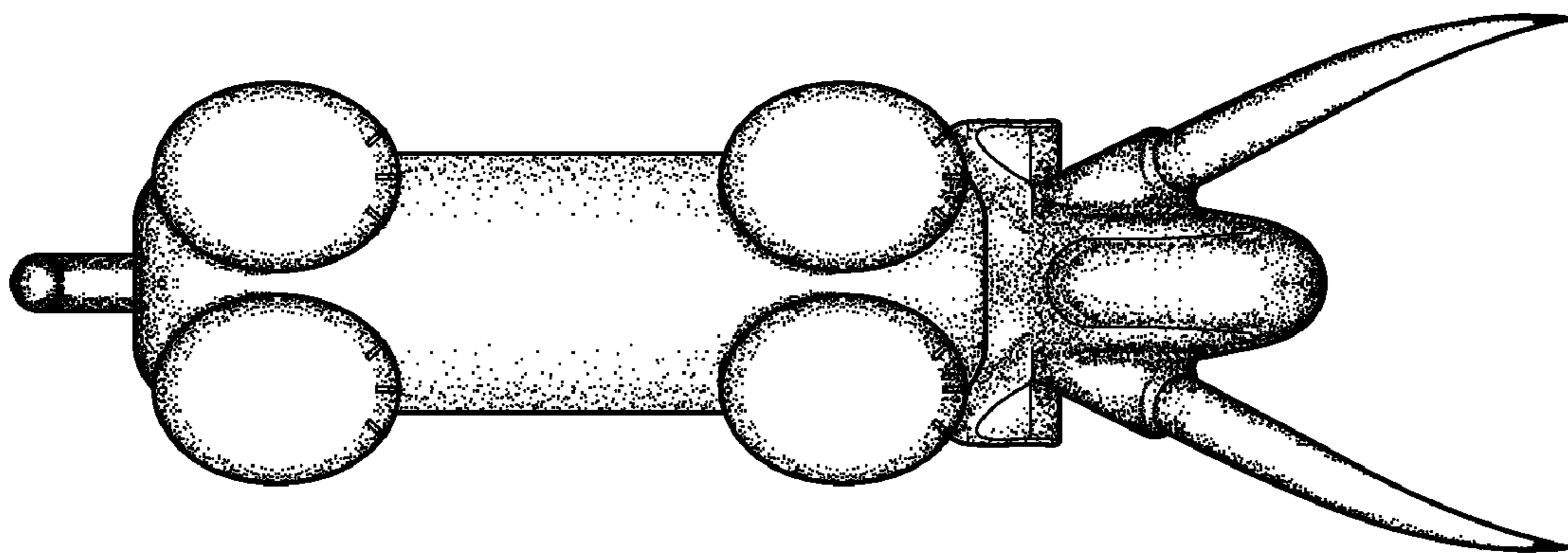


FIG. 7