

US00D599755S

(12) **United States Design Patent**  
**Jin et al.**

(10) **Patent No.:** **US D599,755 S**  
(45) **Date of Patent:** **\*\* Sep. 8, 2009**

(54) **TELEVISION RECEIVER**

D551,184 S \* 9/2007 Kanou et al. .... D14/126  
D555,610 S \* 11/2007 Yang et al. .... D14/126

(75) Inventors: **Chan Jin**, Qingdao (CN); **Difei Wang**,  
Qingdao (CN)

**FOREIGN PATENT DOCUMENTS**

CN 3524785 5/2006

(73) Assignee: **Hisense Electric Co., Ltd.**, Qingdao  
(CN)

\* cited by examiner

(\*\*) Term: **14 Years**

*Primary Examiner*—Raphael Barkai

(21) Appl. No.: **29/286,877**

(74) *Attorney, Agent, or Firm*—Frommer Lawrence & Haug  
LLP; Ronald R Santucci

(22) Filed: **May 21, 2007**

(57) **CLAIM**

(51) **LOC (9) Cl.** ..... **14-03**

The ornamental design for a television receiver, as shown and  
described.

(52) **U.S. Cl.** ..... **D14/126; D14/127**

**DESCRIPTION**

(58) **Field of Classification Search** ..... D14/125–134,  
D14/239, 371, 136, 374–377, 440, 450, 448,  
D14/336, 342; 312/7.2; 348/836, 838, 180,  
348/184, 325, 739; 341/12; 248/917–924,  
248/465; 345/104, 133, 156, 168, 87, 173;  
720/605, 669, 600, 655; 369/99, 197; 455/344,  
455/347; D21/329, 515, 577, 622, 333, 433,  
D21/448, 452, 450, 331; D6/477, 479, 300;  
273/148 B; 446/484, 175, 356; D10/15,  
D10/26

FIG. 1 is a front view of a television receiver showing a  
design;

FIG. 2 is a top view thereof;

FIG. 3 is a rear view thereof;

FIG. 4 is a bottom view thereof;

FIG. 5 is a right side view thereof;

FIG. 6 is a left side view thereof; and,

FIG. 7 is a perspective view thereof.

See application file for complete search history.

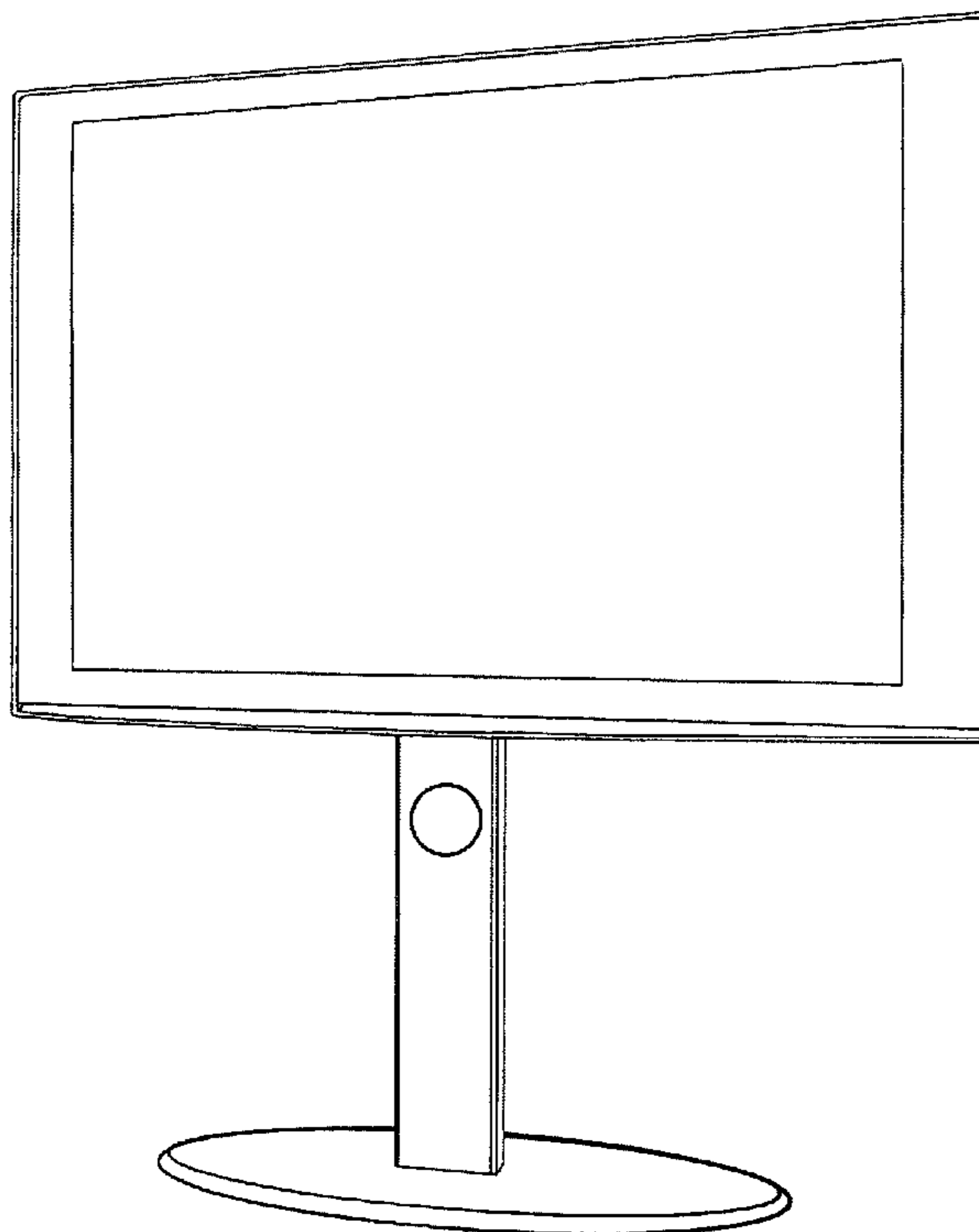
The main design points comprise: (1) arc-shaped decorating  
strip arranged at the lower edge of the display; (2) the shape of  
the vertical support for the display; and (3) the vertical sup-  
port having a front transparent panel which comprises a  
screen able to play caption thereon.

(56) **References Cited**

**U.S. PATENT DOCUMENTS**

D434,738 S 12/2000 Takemasa  
D439,225 S \* 3/2001 Kita ..... D14/126  
D542,243 S \* 5/2007 Lewis ..... D14/126

**1 Claim, 4 Drawing Sheets**



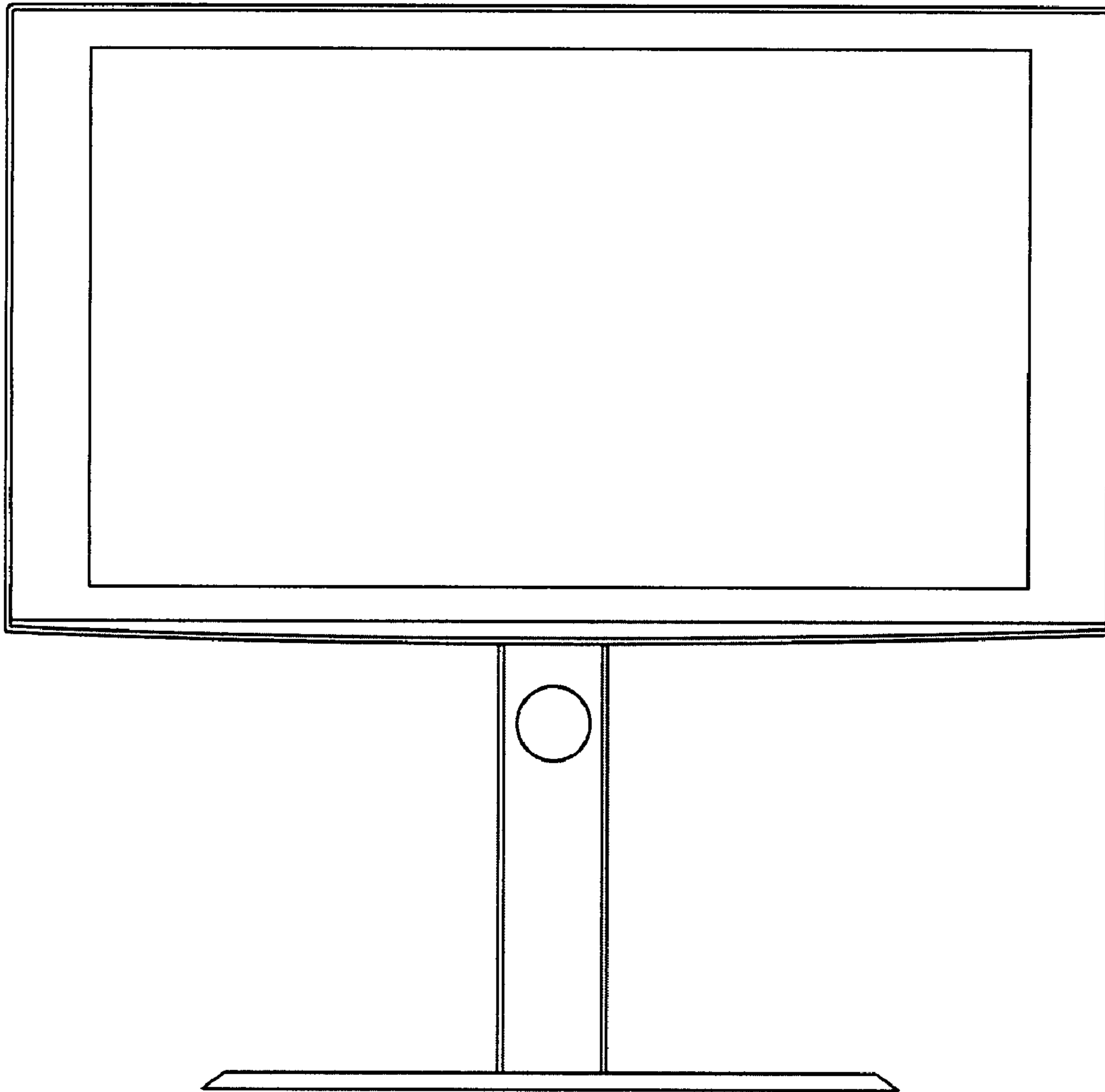


Fig. 1

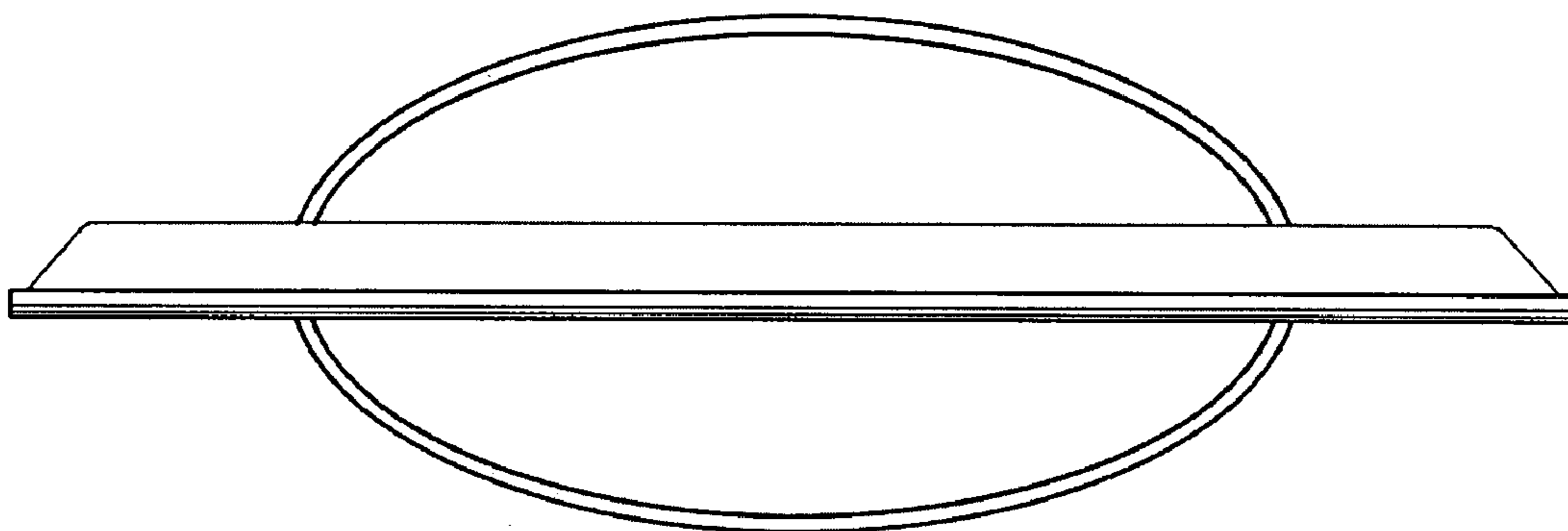


Fig. 2

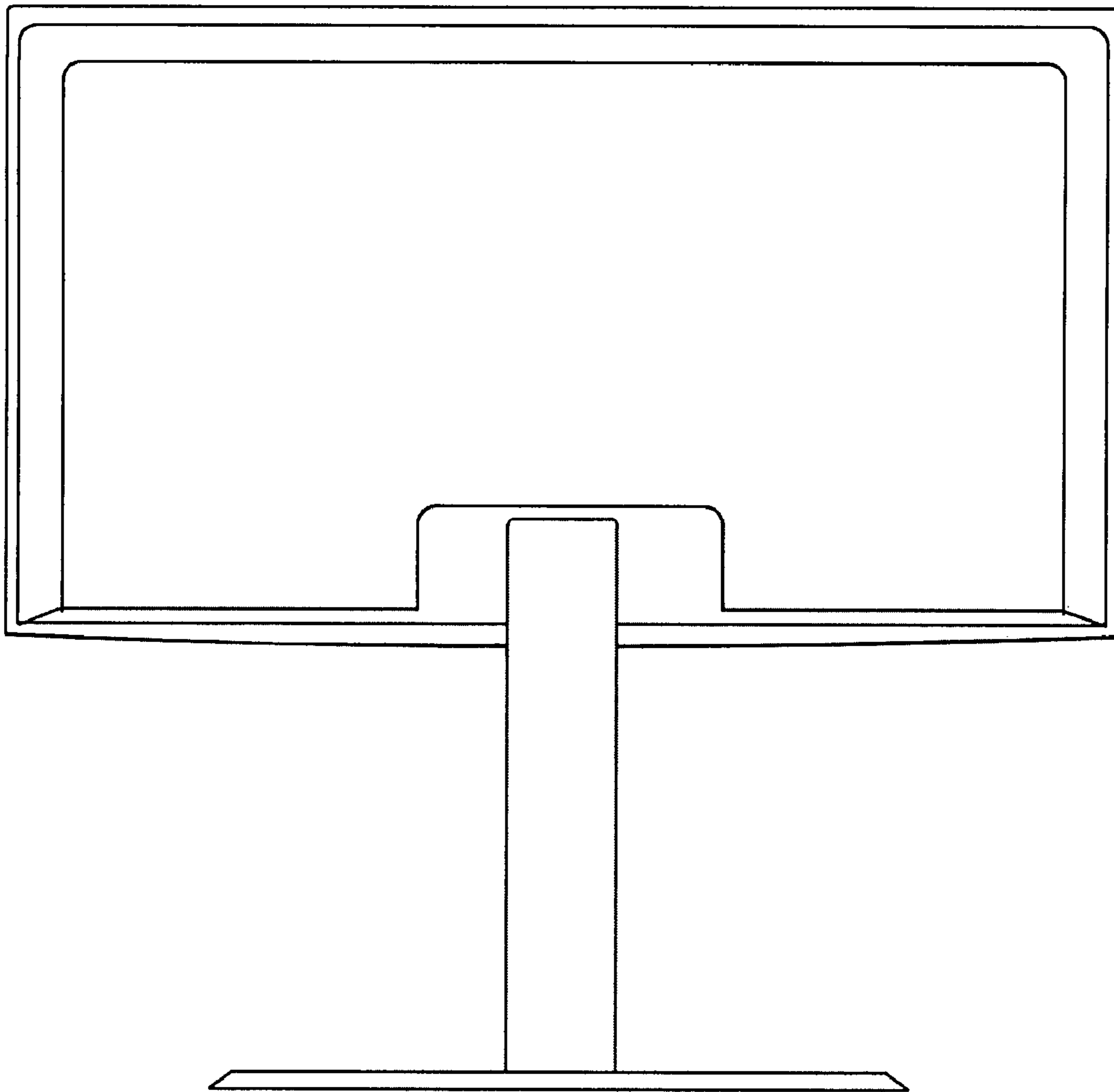


Fig. 3

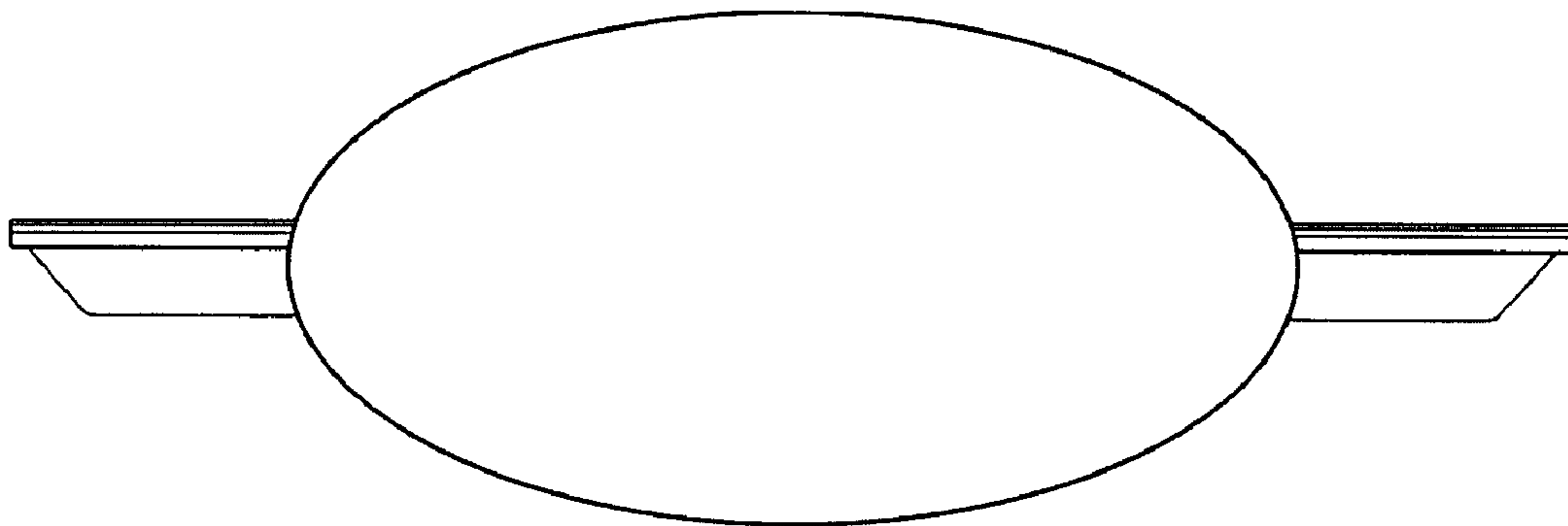


Fig. 4

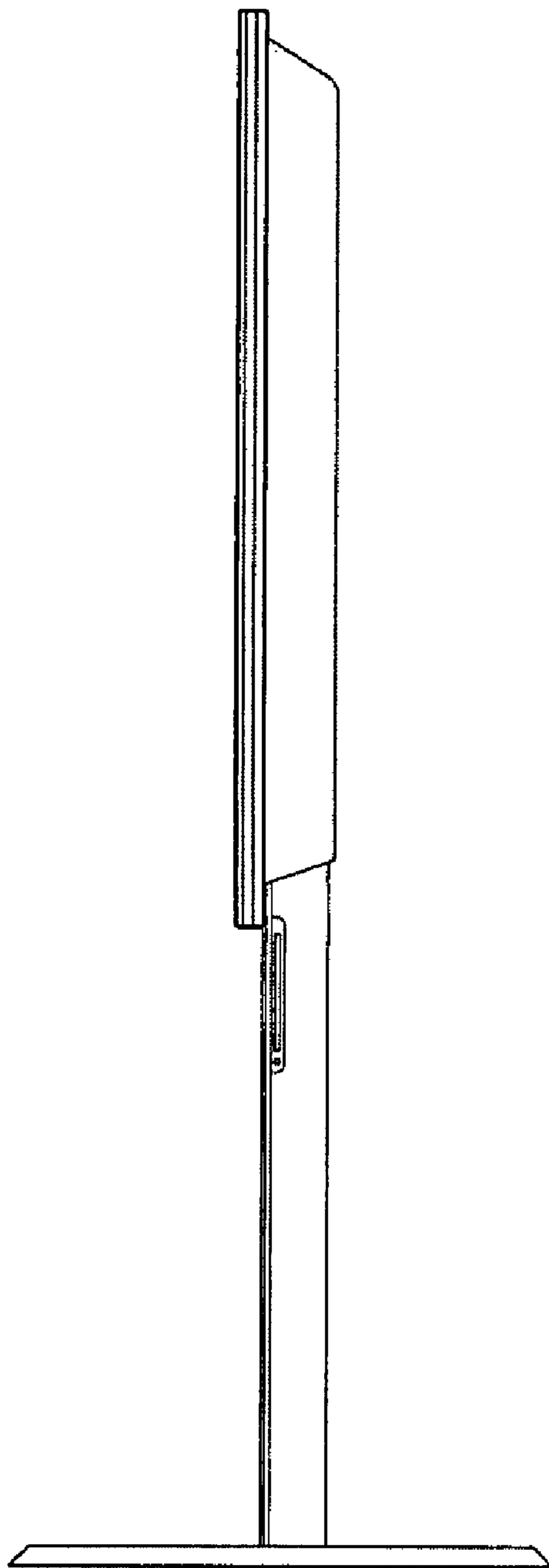


Fig. 5

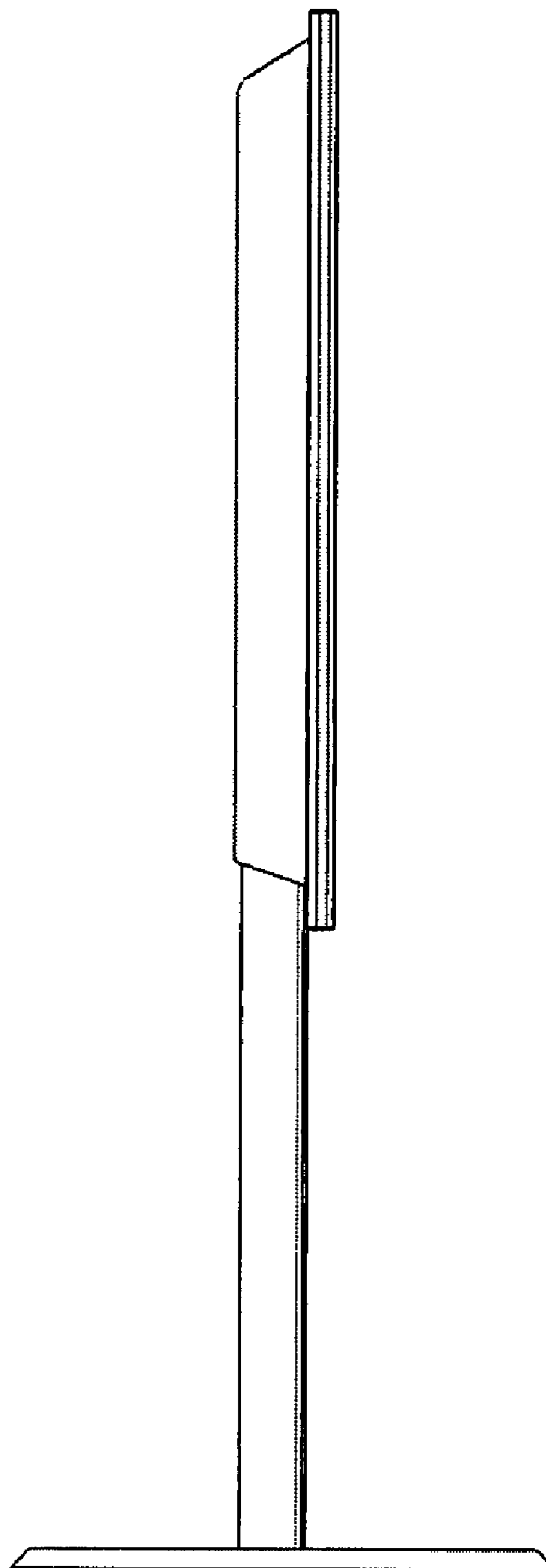


Fig. 6

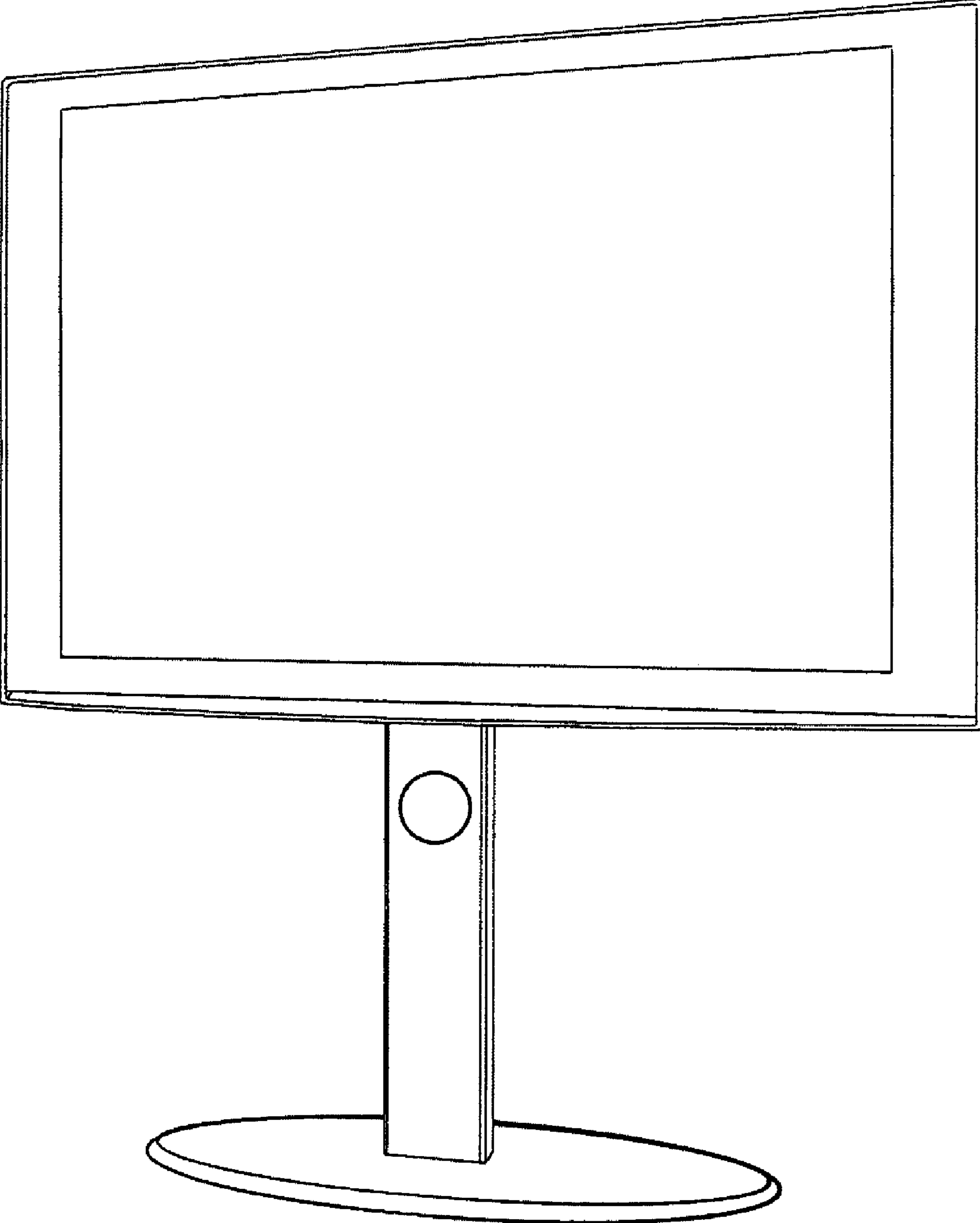


Fig. 7