



US00D599751S

(12) **United States Design Patent**
Zhang et al.

(10) **Patent No.:** **US D599,751 S**
(45) **Date of Patent:** **** Sep. 8, 2009**

(54) **DIGITAL MEDIA ADAPTER**

(75) Inventors: **Zhen Zhang**, Shenzhen (CN); **Hong-Jin Wu**, Shenzhen (CN); **Chun-Wen Wang**, Taipei Hsien (TW)

(73) Assignee: **Hon Hai Precision Industry Co., Ltd.**, Tu-Cheng, Taipei Hsien (TW)

(**) Term: **14 Years**

(21) Appl. No.: **29/320,873**

(22) Filed: **Jul. 7, 2008**

(51) **LOC (9) Cl.** **14-03**

(52) **U.S. Cl.** **D14/125**

(58) **Field of Classification Search** D14/125-134, D14/239, 371, 136, 374-377; 312/7.2; 348/836, 348/838, 180, 184, 325, 739; 341/12; 248/917-924, 248/465, 123.11; 345/104, 133, 156, 168, 345/87, 173, 169; 349/1, 2, 11, 62; 720/605, 720/669, 600, 655, 99, 197; 455/344-347
See application file for complete search history.

(56) **References Cited**

U.S. PATENT DOCUMENTS

D294,262 S * 2/1988 Thies et al. D14/375
D295,862 S * 5/1988 Yonekura et al. D14/125
5,870,367 A * 2/1999 Yamamori 720/669
D515,546 S * 2/2006 Mu D14/203.3

D526,979 S * 8/2006 Lim D14/506
D556,199 S * 11/2007 Song D14/357
D563,334 S * 3/2008 Wang D14/125
D569,354 S * 5/2008 Kellar D14/125
D574,360 S * 8/2008 Matsuoka D14/168

* cited by examiner

Primary Examiner—Raphael Barkai

Assistant Examiner—Randall H Gholson

(74) *Attorney, Agent, or Firm*—D. Austin Bonderer

(57) **CLAIM**

The ornamental design for a digital media adapter, as shown and described.

DESCRIPTION

FIG. 1 is a front perspective view of our design for a digital media adapter;

FIG. 2 is a front elevational view thereof;

FIG. 3 is a left side elevational view thereof;

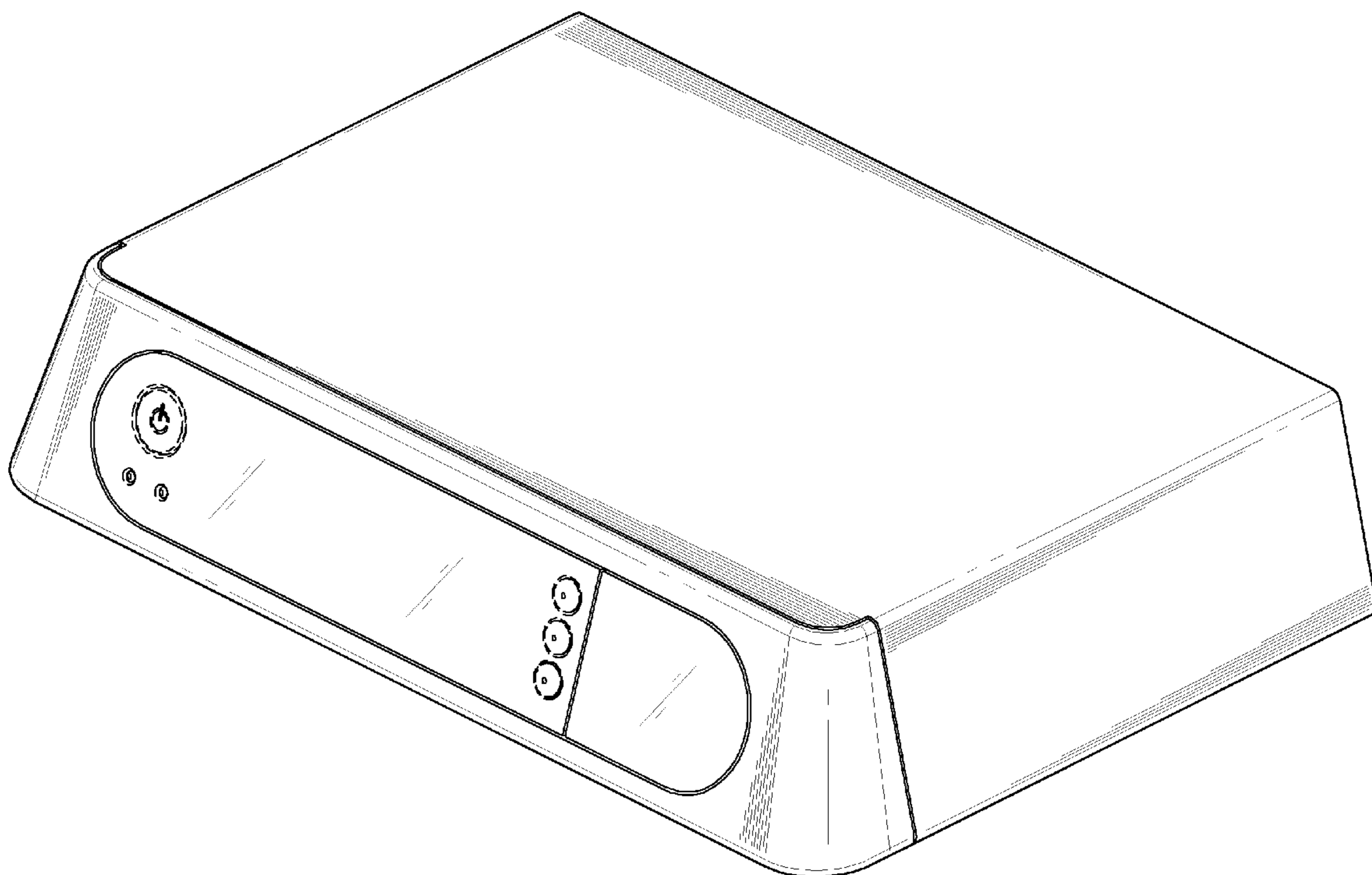
FIG. 4 is a right side elevational view thereof;

FIG. 5 is a top plan view thereof; and,

FIG. 6 is a bottom plan view thereof.

The broken lines shown on the digital media adapter are included for the purpose of illustrating environmental structure and forms no part of the claimed design.

1 Claim, 6 Drawing Sheets



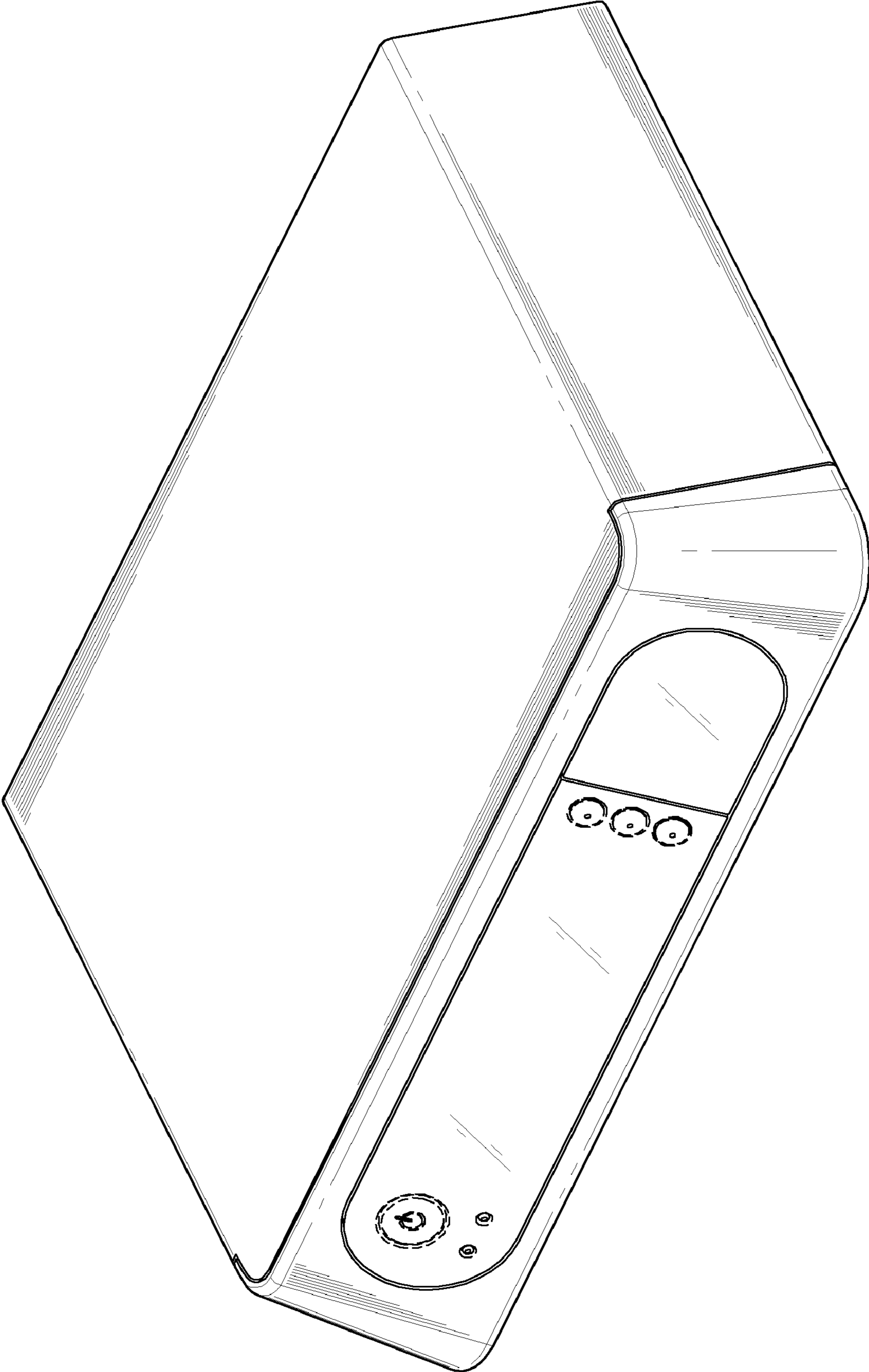


FIG. 1

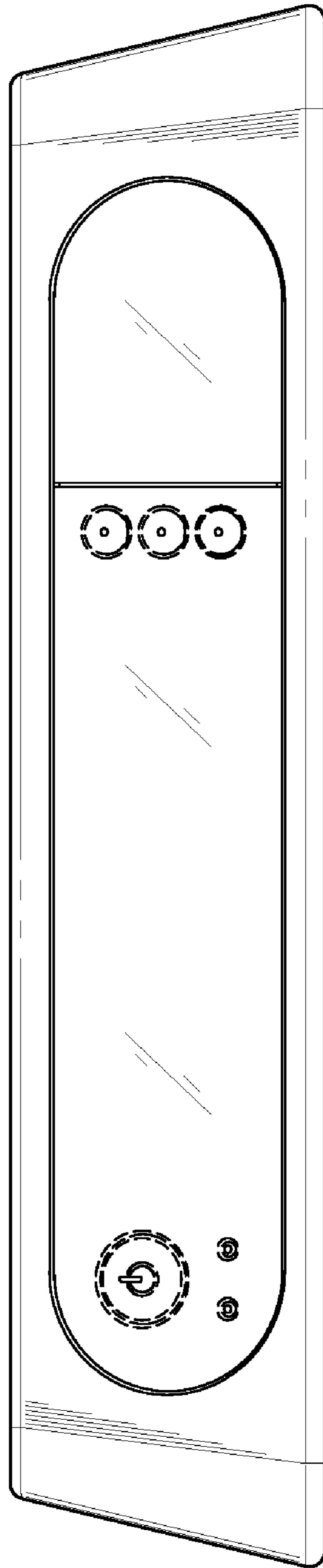


FIG. 2

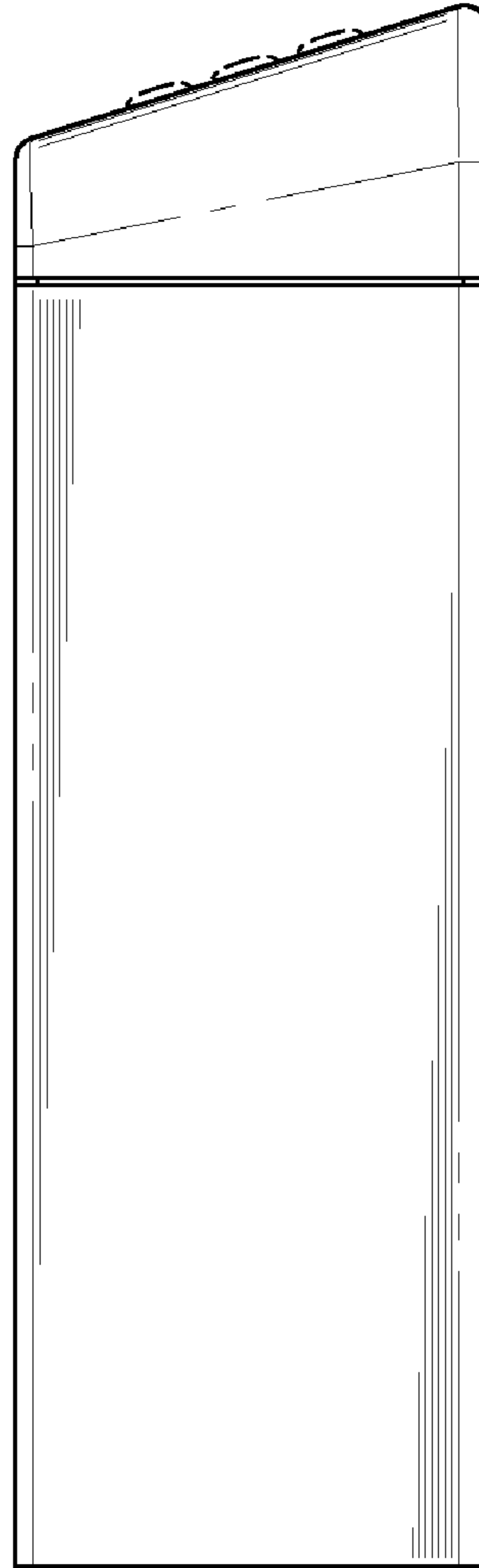


FIG. 3

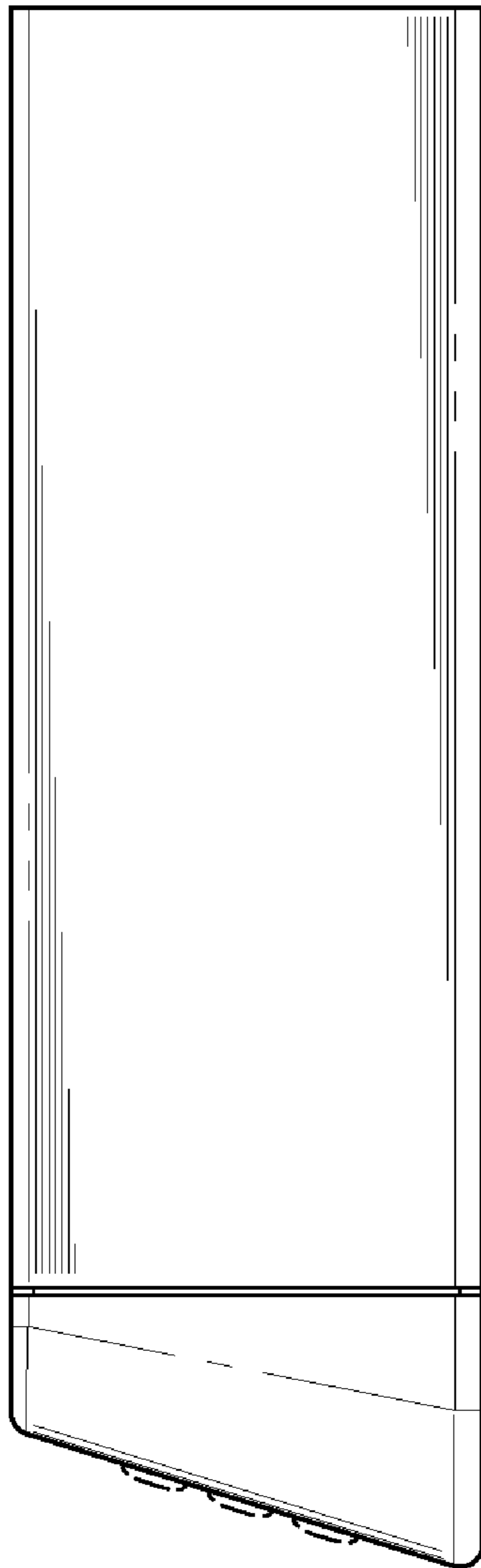


FIG. 4

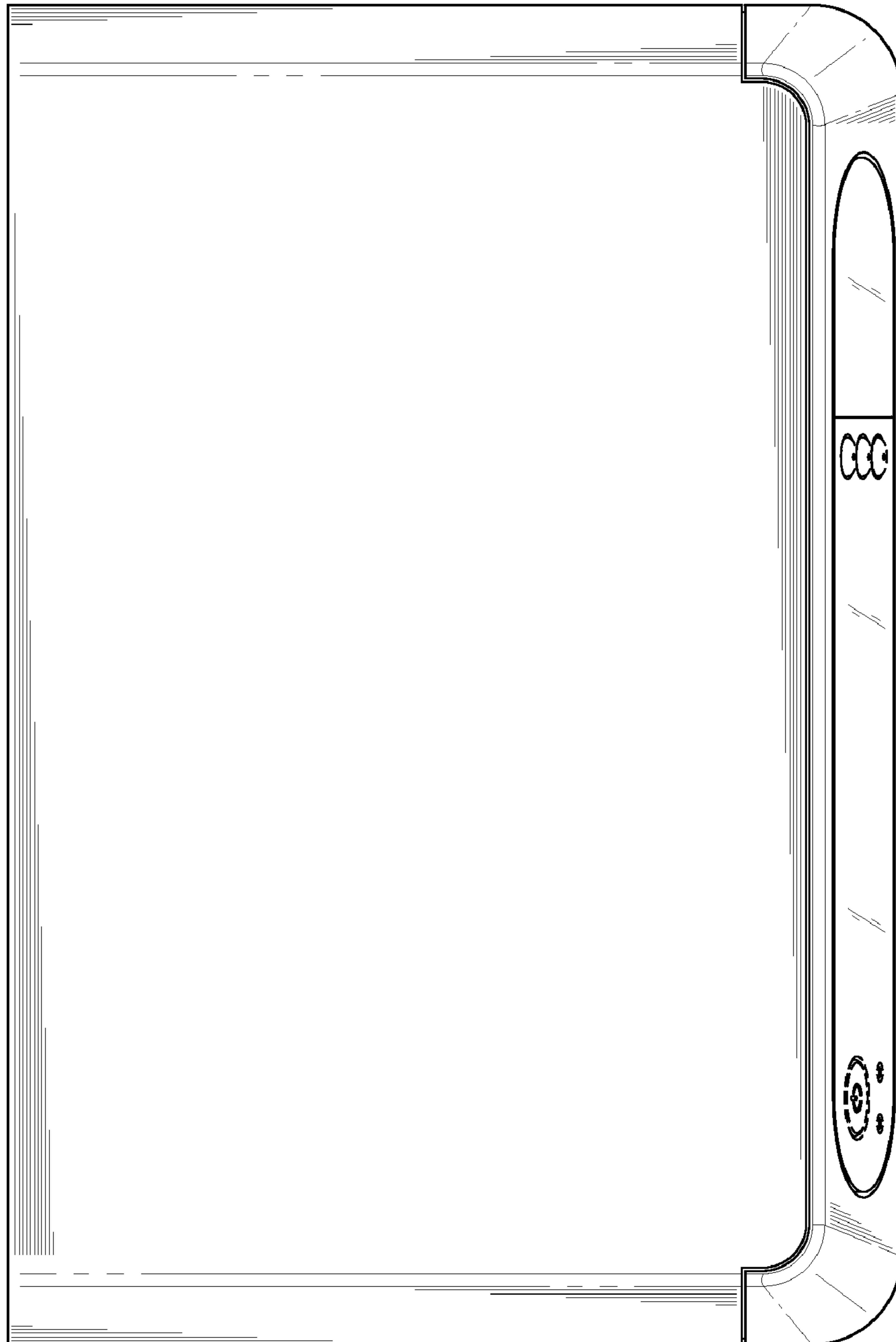


FIG. 5



FIG. 6