



US00D599750S

(12) **United States Design Patent**  
**Kim et al.**

(10) **Patent No.:** **US D599,750 S**  
(45) **Date of Patent:** **\*\* Sep. 8, 2009**

(54) **CASE FOR LIGHT EMITTING DIODE**

D563,333 S \* 3/2008 Kim ..... D13/180  
D570,797 S \* 6/2008 Song ..... D13/180  
D584,246 S \* 1/2009 Low et al. .... D13/180

(75) Inventors: **Dae Hyun Kim**, Ulsan (KR); **Hun Joo Hahm**, Gyunggi-do (KR); **Hyung Suk Kim**, Gyunggi-do (KR); **Dae Yeon Kim**, Gyunggi-do (KR); **Young Sam Park**, Seoul (KR); **Do Hun Kim**, Seoul (KR); **Seong Yeon Han**, Gwangju (KR)

FOREIGN PATENT DOCUMENTS

KR 30-0454626 6/2007

\* cited by examiner

*Primary Examiner*—Selina Sikder

(73) Assignee: **Samsung Electro-Mechanics Co., Ltd.**, Gyunggi-do (KR)

(74) *Attorney, Agent, or Firm*—McDermott Will & Emery LLP

(\*\*) Term: **14 Years**

(57) **CLAIM**

(21) Appl. No.: **29/325,554**

We claim the ornamental design for a case for light-emitting diode, as shown and described.

(22) Filed: **Oct. 2, 2008**

**DESCRIPTION**

(30) **Foreign Application Priority Data**

Jun. 20, 2008 (KR) ..... 30-2008-0026720

FIG. 1 is the perspective view of a case for light-emitting diode

(51) **LOC (9) Cl.** ..... **13-03**

FIG. 2 is the front view thereof

(52) **U.S. Cl.** ..... **D13/180**

FIG. 3 is the rear view thereof

(58) **Field of Classification Search** ..... D13/180;

FIG. 4 is the left side view thereof

D26/2; 257/79, 80, 81, 88, 89, 95, 98, 99,

FIG. 5 is the right side view thereof

257/100; 313/483, 498, 500; 362/555, 800

FIG. 6 is the top plan view thereof; and,

See application file for complete search history.

FIG. 7 is the bottom view thereof, wherein the broken lines showing portions of the LED are for illustrative purpose only and form no part of the claimed design.

(56) **References Cited**

The article is composed of synthetic resin and metal.

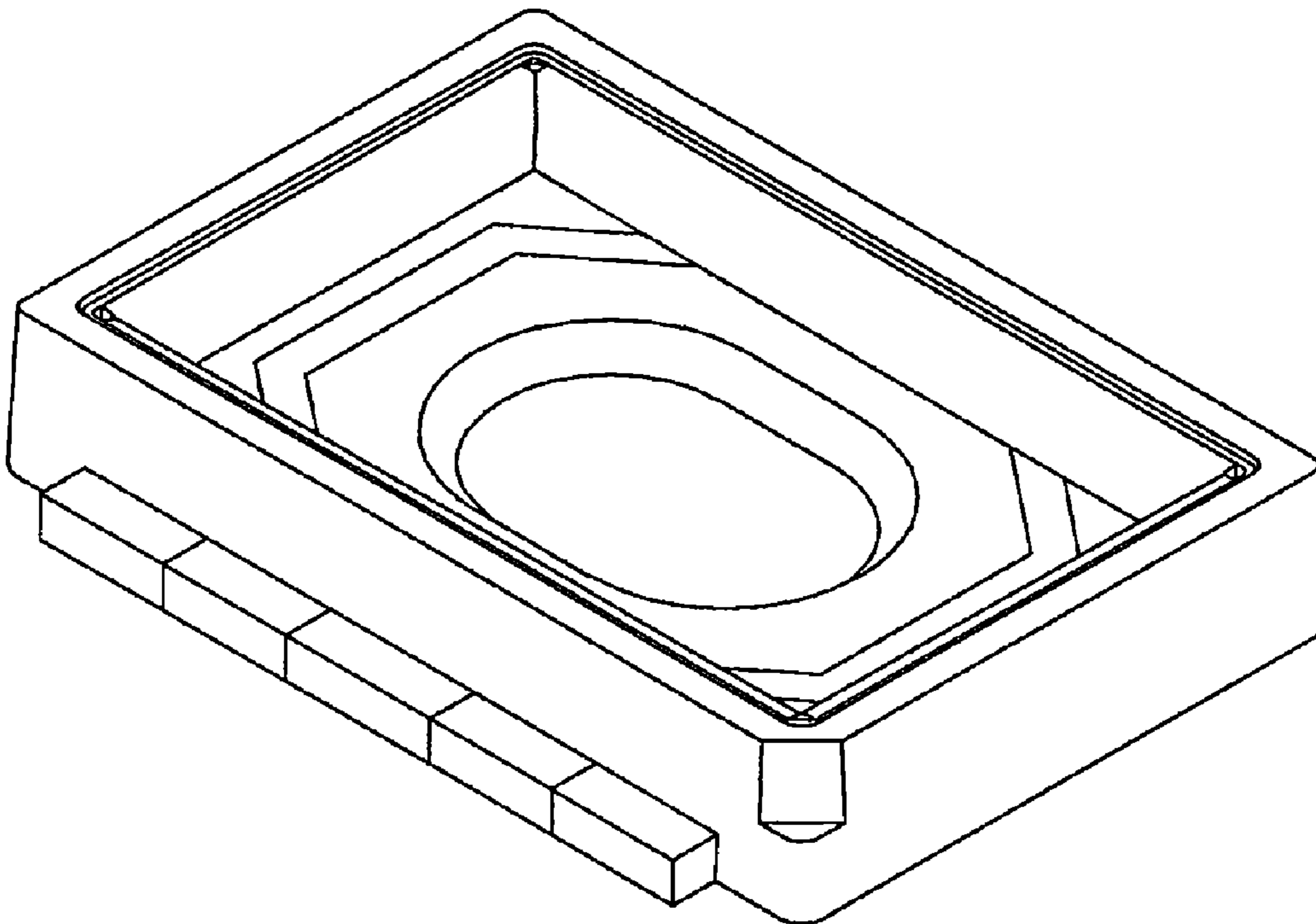
U.S. PATENT DOCUMENTS

D520,965 S \* 5/2006 Omata ..... D13/180

D528,997 S \* 9/2006 Jung et al. .... D13/180

D559,804 S \* 1/2008 Lee ..... D13/180

**1 Claim, 2 Drawing Sheets**



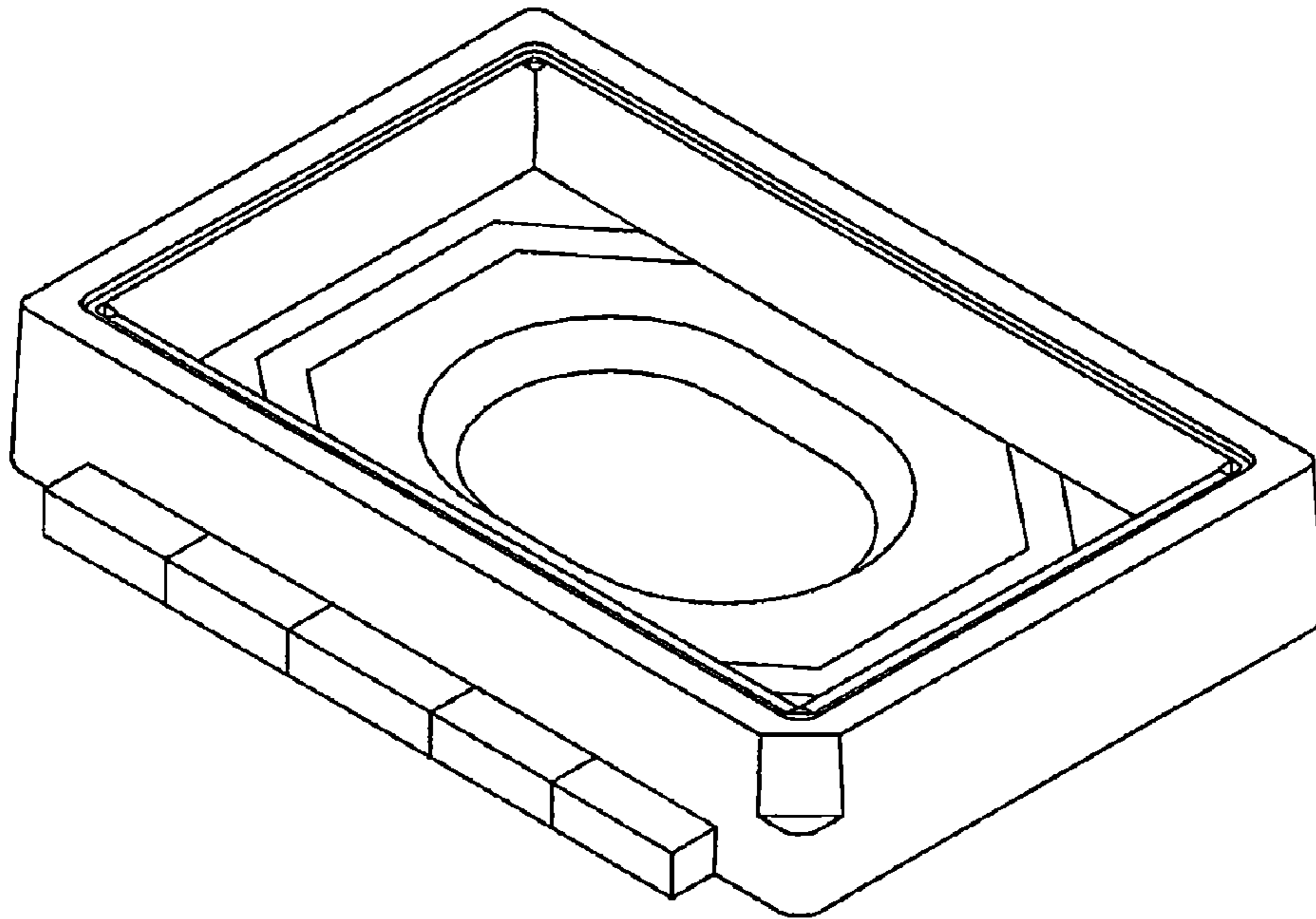


FIG. 1

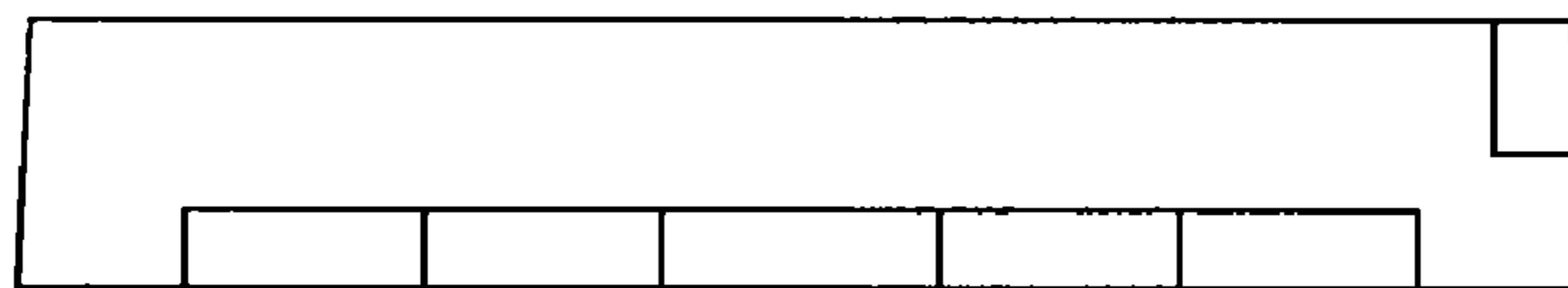


FIG. 2

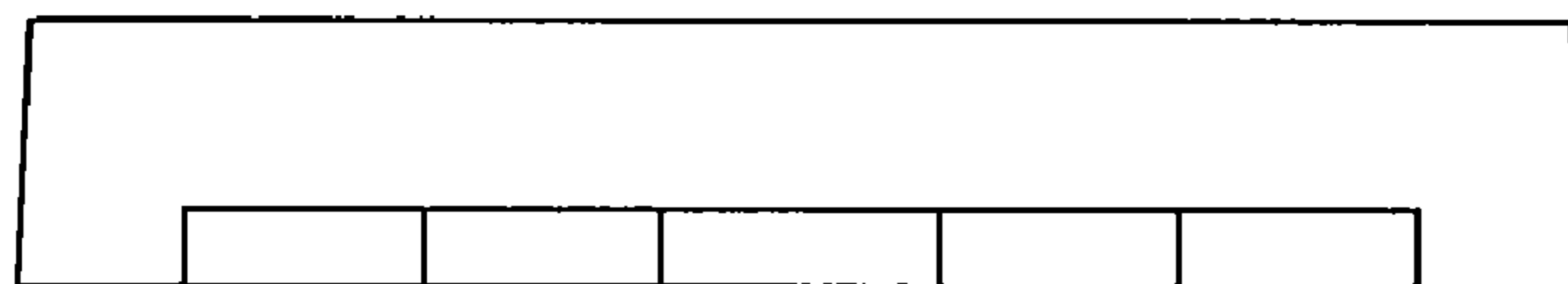


FIG. 3

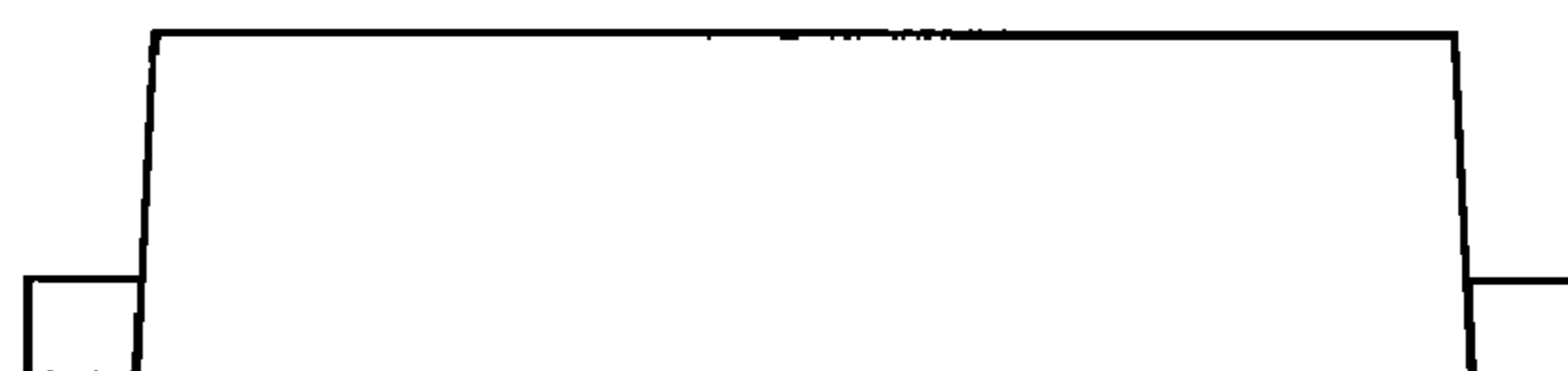


FIG. 4



FIG. 5

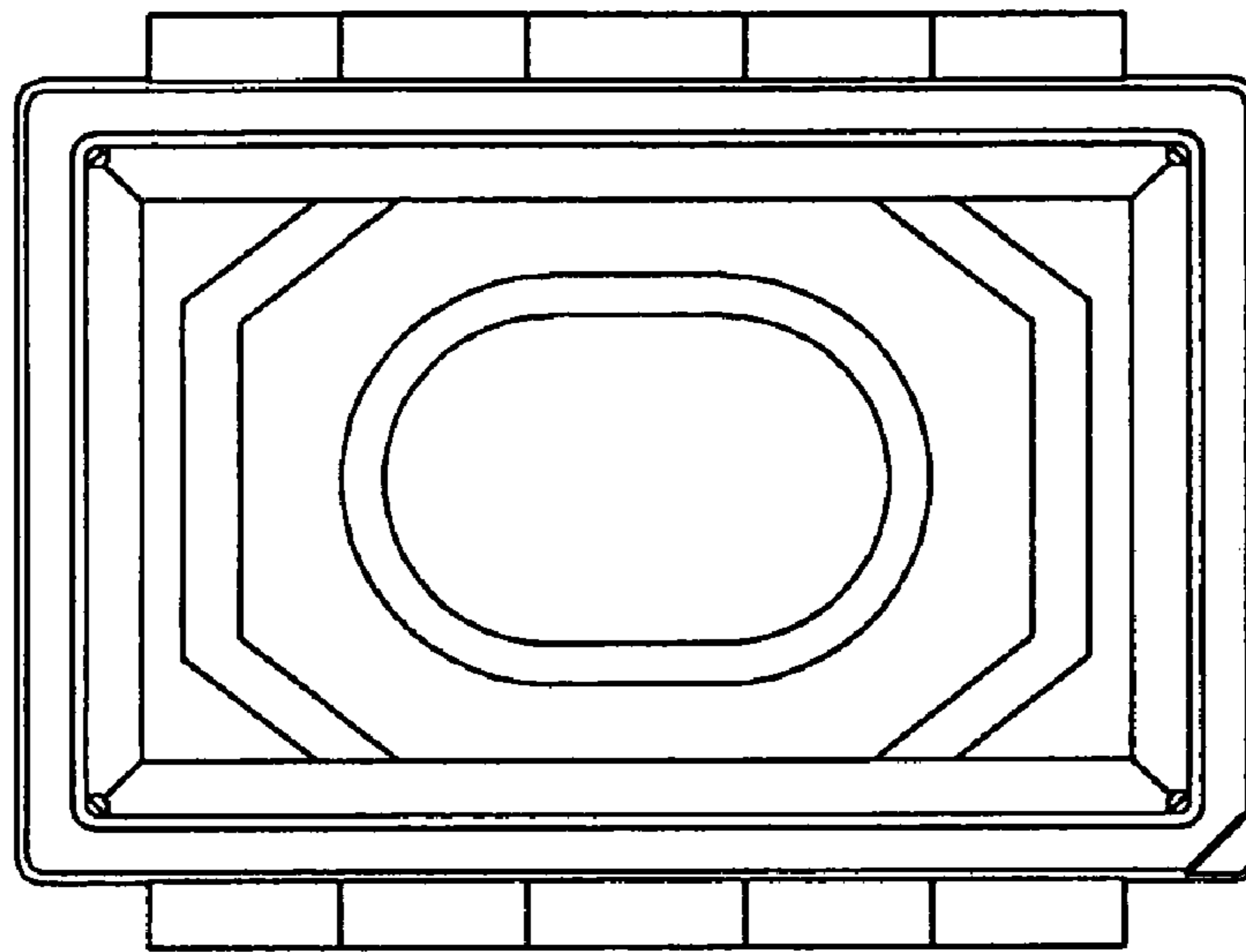


FIG. 6

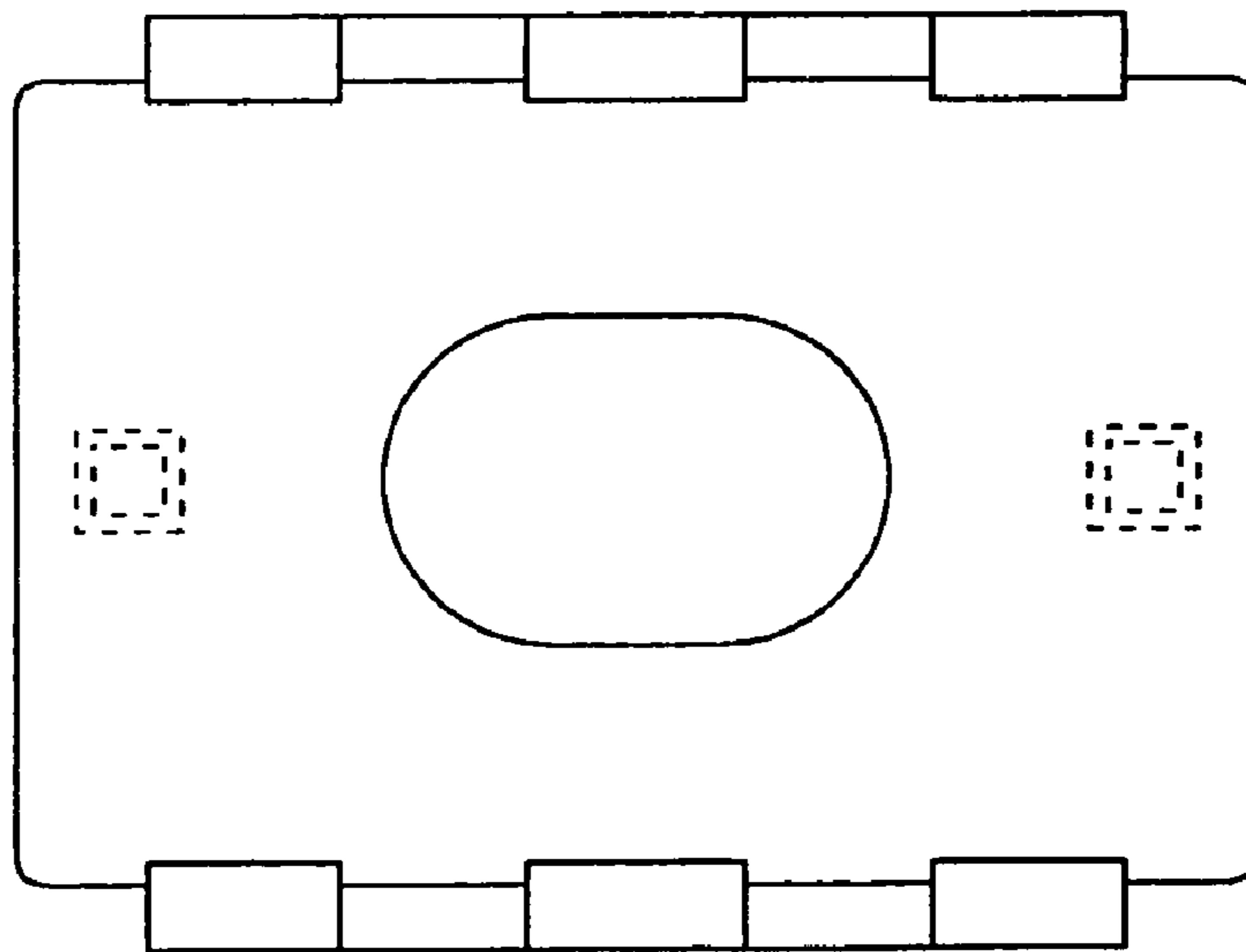


FIG. 7