



US00D599749S

(12) **United States Design Patent**  
**Bando**

(10) **Patent No.:** **US D599,749 S**  
(45) **Date of Patent:** **\*\* Sep. 8, 2009**

(54) **LIGHT EMITTING DIODE**

(75) Inventor: **Yoshitaka Bando**, Tokushima (JP)

(73) Assignee: **Nichia Corporation**, Anan-shi (JP)

(\*\*) Term: **14 Years**

(21) Appl. No.: **29/321,019**

(22) Filed: **Jul. 9, 2008**

6,586,721	B2	7/2003	Estevez-Garcia
D486,801	S	2/2004	Suenaga
D491,899	S	6/2004	Yagi
D505,398	S	5/2005	Nakashima
D512,029	S	11/2005	Kim et al.
D551,180	S	9/2007	Song et al.
D573,113	S *	7/2008	Bando ..... D13/180
D580,381	S *	11/2008	Bando ..... D13/180
2004/0041222	A1	3/2004	Loh
2004/0126913	A1	7/2004	Loh
2005/0127816	A1	6/2005	Sumitani

\* cited by examiner

**Related U.S. Application Data**

(63) Continuation of application No. 29/259,849, filed on May 17, 2006, now Pat. No. Des. 573,113.

*Primary Examiner*—Selina Sikder

(74) *Attorney, Agent, or Firm*—Global IP Counselors, LLP

(30) **Foreign Application Priority Data**

Dec. 9, 2005	(JP)	.....	2005-036420
Dec. 9, 2005	(JP)	.....	2005-036424
Dec. 9, 2005	(JP)	.....	2005-036425
Dec. 9, 2005	(JP)	.....	2005-036426
Dec. 9, 2005	(JP)	.....	2005-036427
Dec. 9, 2005	(JP)	.....	2005-036428
Dec. 9, 2005	(JP)	.....	2005-036429
Dec. 9, 2005	(JP)	.....	2005-036430
Dec. 9, 2005	(JP)	.....	2005-036431

(57) **CLAIM**

The ornamental design for a light emitting diode, as shown and described.

(51) **LOC (9) Cl.** ..... **13-03**

(52) **U.S. Cl.** ..... **D13/180**

(58) **Field of Classification Search** ..... D13/180;  
D26/2; 257/79, 80, 81, 88, 89, 95, 98, 99,  
257/100; 313/483, 498, 500; 362/555, 800  
See application file for complete search history.

**DESCRIPTION**

FIG. 1 is a front elevational view of the light emitting diode in accordance with my new design;

FIG. 2 is a perspective view of the light emitting diode in accordance with my new design;

FIG. 3 is a left side elevational view of the light emitting diode in accordance with my new design; and,

FIG. 4 is a bottom plan view of the light emitting diode in accordance with my new design.

The broken line showing of environment (the remaining structure of the light emitting diode) in FIGS. 1 to 4 is for illustrative purposes only and forms no part of the claimed design.

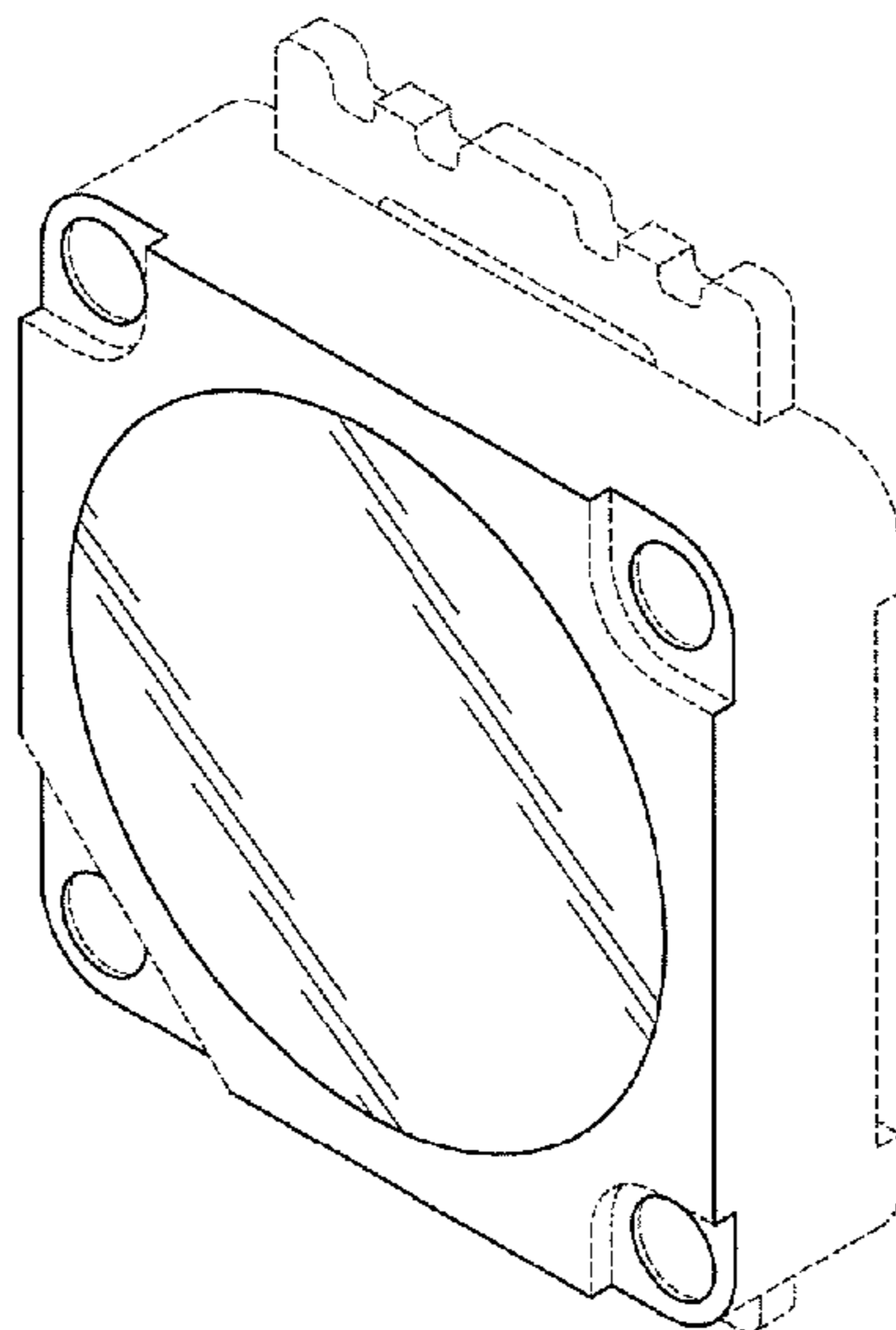
The opaque line shading in FIGS. 1 and 2 illustrate a translucent or transparent portion of the light emitting diode.

(56) **References Cited**

**U.S. PATENT DOCUMENTS**

6,376,902	B1	4/2002	Arndt
D471,166	S	3/2003	Oshio et al.

**1 Claim, 2 Drawing Sheets**



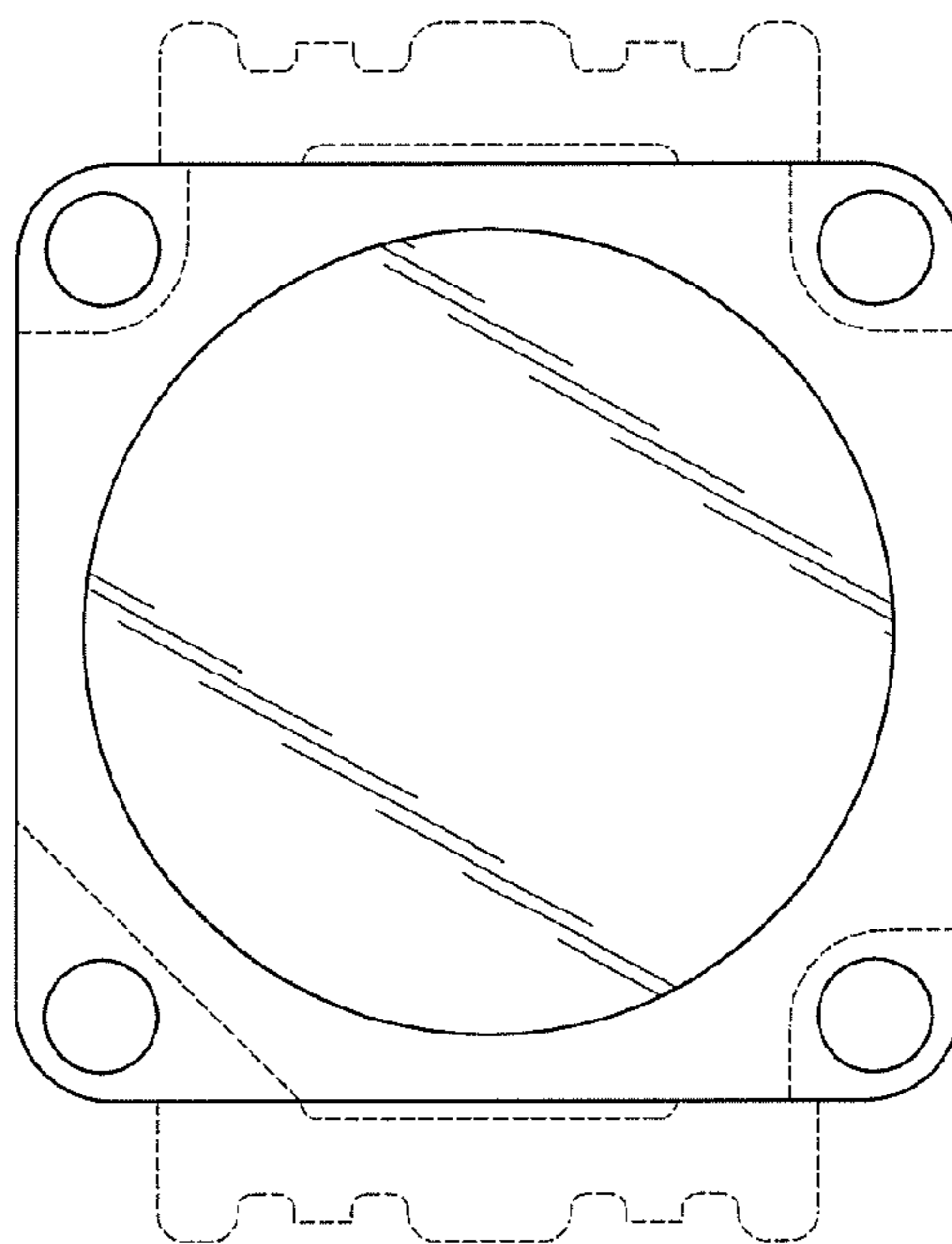


Fig. 1

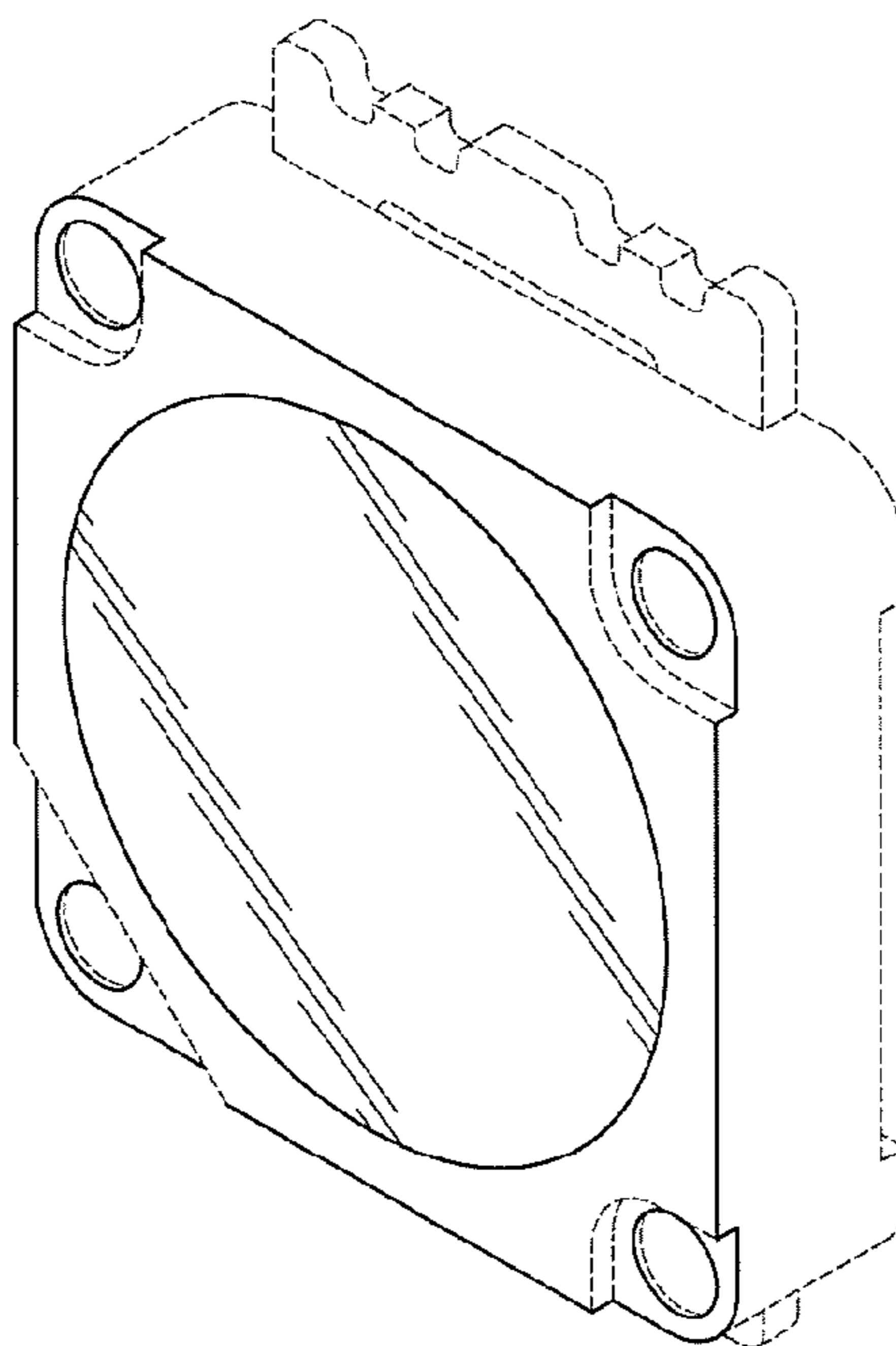


Fig. 2

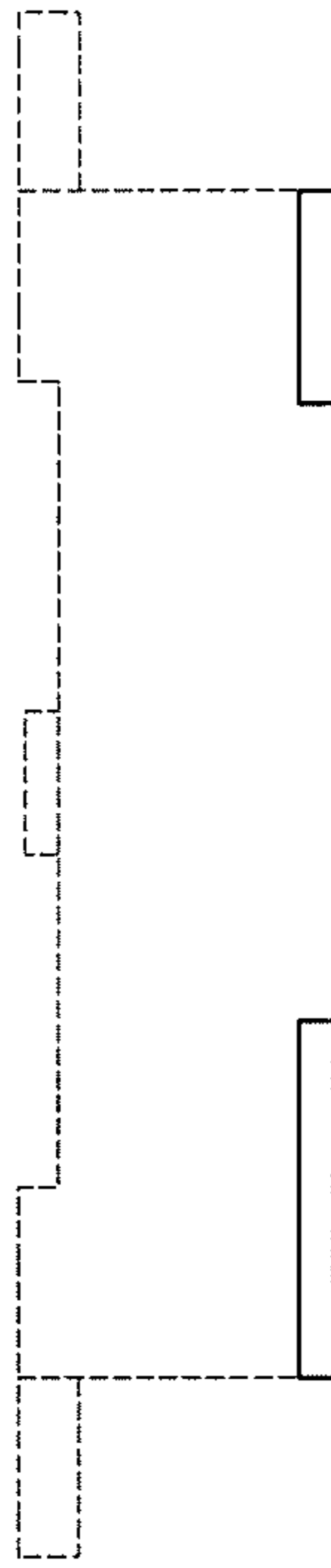


Fig. 3

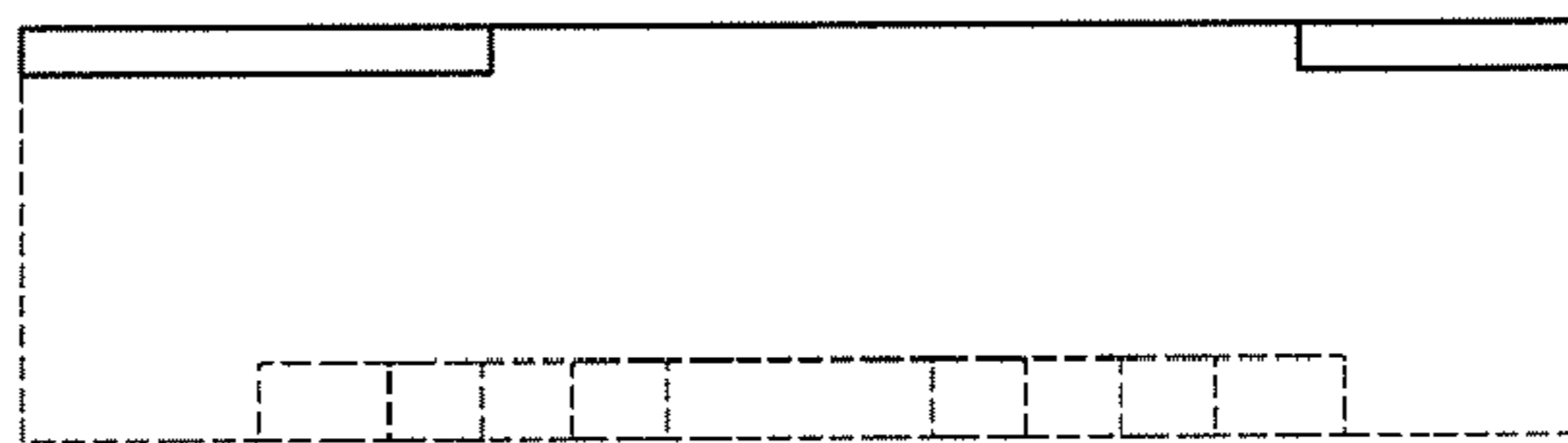


Fig. 4