

US00D599747S

(12) **United States Design Patent**
Vigil

(10) **Patent No.:** **US D599,747 S**
(45) **Date of Patent:** **** Sep. 8, 2009**

(54) **SWITCH PANEL**

(76) **Inventor:** **Aurelio Vigil**, 2200 SW. 27th Way,
Miami, FL (US) 33133

(**) **Term:** **14 Years**

(21) **Appl. No.:** **29/328,887**

(22) **Filed:** **Dec. 3, 2008**

(51) **LOC (9) Cl.** **13-03**

(52) **U.S. Cl.** **D13/177; D13/164**

(58) **Field of Classification Search** D13/137,
D13/154, 162, 164, 173, 177, 184, 199; 174/66,
174/77, 58; 200/339; D8/353; 220/241
See application file for complete search history.

(56) **References Cited**

U.S. PATENT DOCUMENTS

D300,316 S *	3/1989	Ortega	D13/169
D302,546 S *	8/1989	Ellis, Jr.	D13/164
D310,202 S *	8/1990	Suck	D13/171
D421,210 S *	2/2000	Wu	D8/353
D442,561 S *	5/2001	Camarota et al.	D13/164
D555,458 S *	11/2007	Kaufman	D8/353
D564,458 S *	3/2008	Nakabou et al.	D13/164
D583,220 S *	12/2008	Ni	D8/353

* cited by examiner

Primary Examiner—Daniel D Bui

Assistant Examiner—Thomas J Johannes

(74) *Attorney, Agent, or Firm*—James A. Italia; Italia IP

(57) **CLAIM**

The ornamental design for a switch panel, as shown and described.

DESCRIPTION

FIG. 1 is a perspective view of a first embodiment of a switch panel, showing my new design;

FIG. 2 is a front elevational view thereof;

FIG. 3 is a perspective view thereof in a typical usage configuration;

FIG. 4 is a front elevational view thereof;

FIG. 5 is a perspective view of a second embodiment of a switch panel, showing my new design;

FIG. 6 is a front elevational view thereof;

FIG. 7 is a perspective view thereof in a typical usage configuration;

FIG. 8 is a front elevational view thereof;

FIG. 9 is a perspective view of a third embodiment of a switch panel, showing my new design;

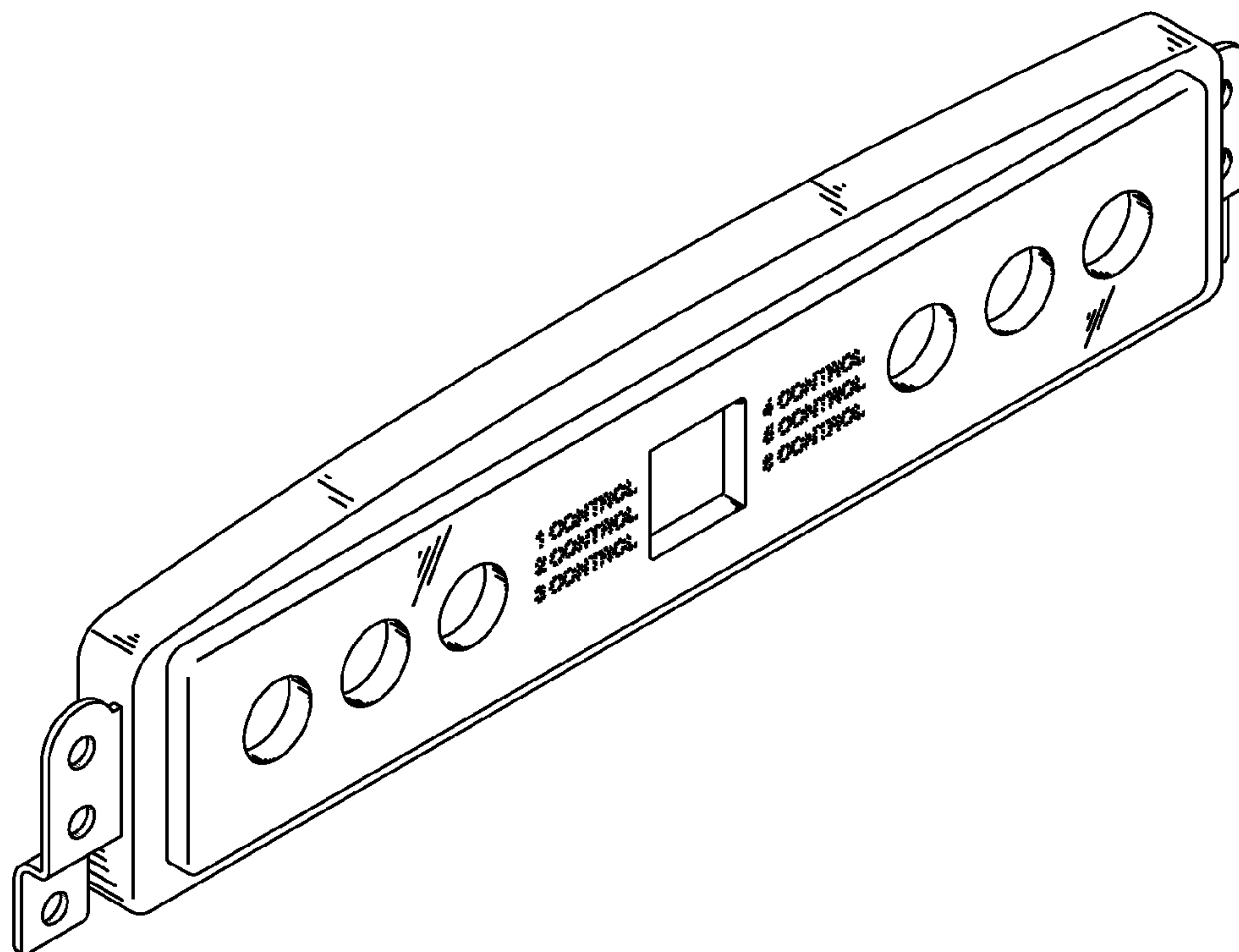
FIG. 10 is a front elevational view thereof;

FIG. 11 is a perspective view thereof in a typical usage configuration; and,

FIG. 12 is a front elevational view thereof.

The broken line showing the environment is for illustrative purposes only and forms no part of the claimed design.

1 Claim, 6 Drawing Sheets



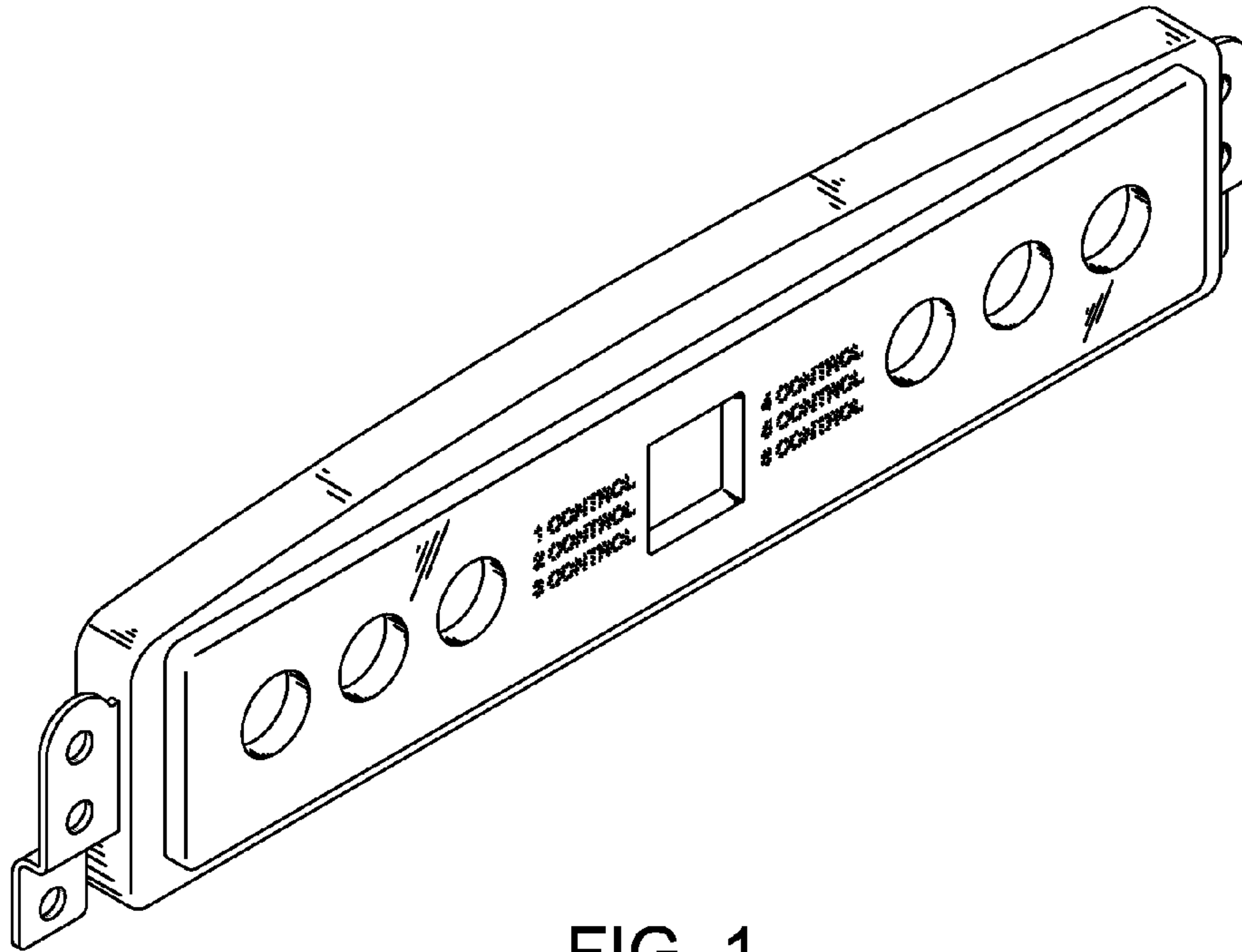


FIG. 1

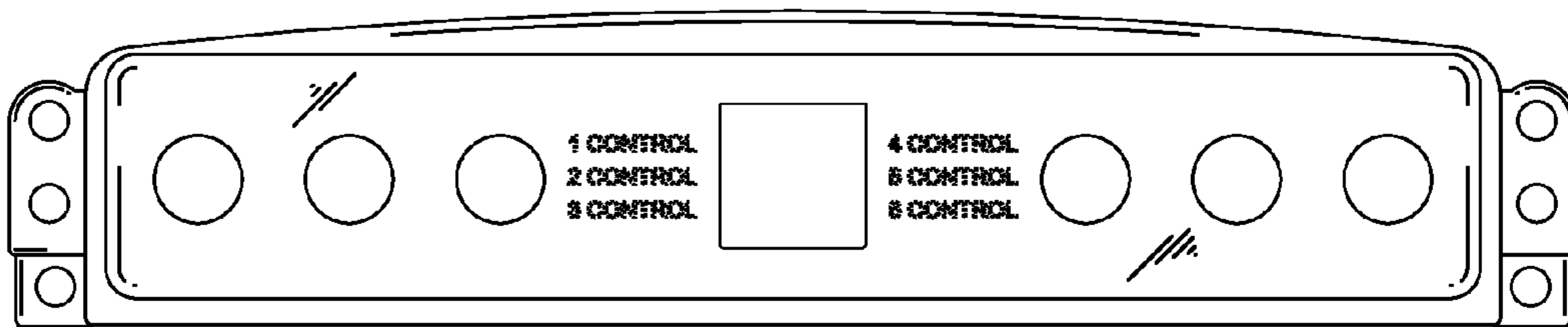


FIG. 2

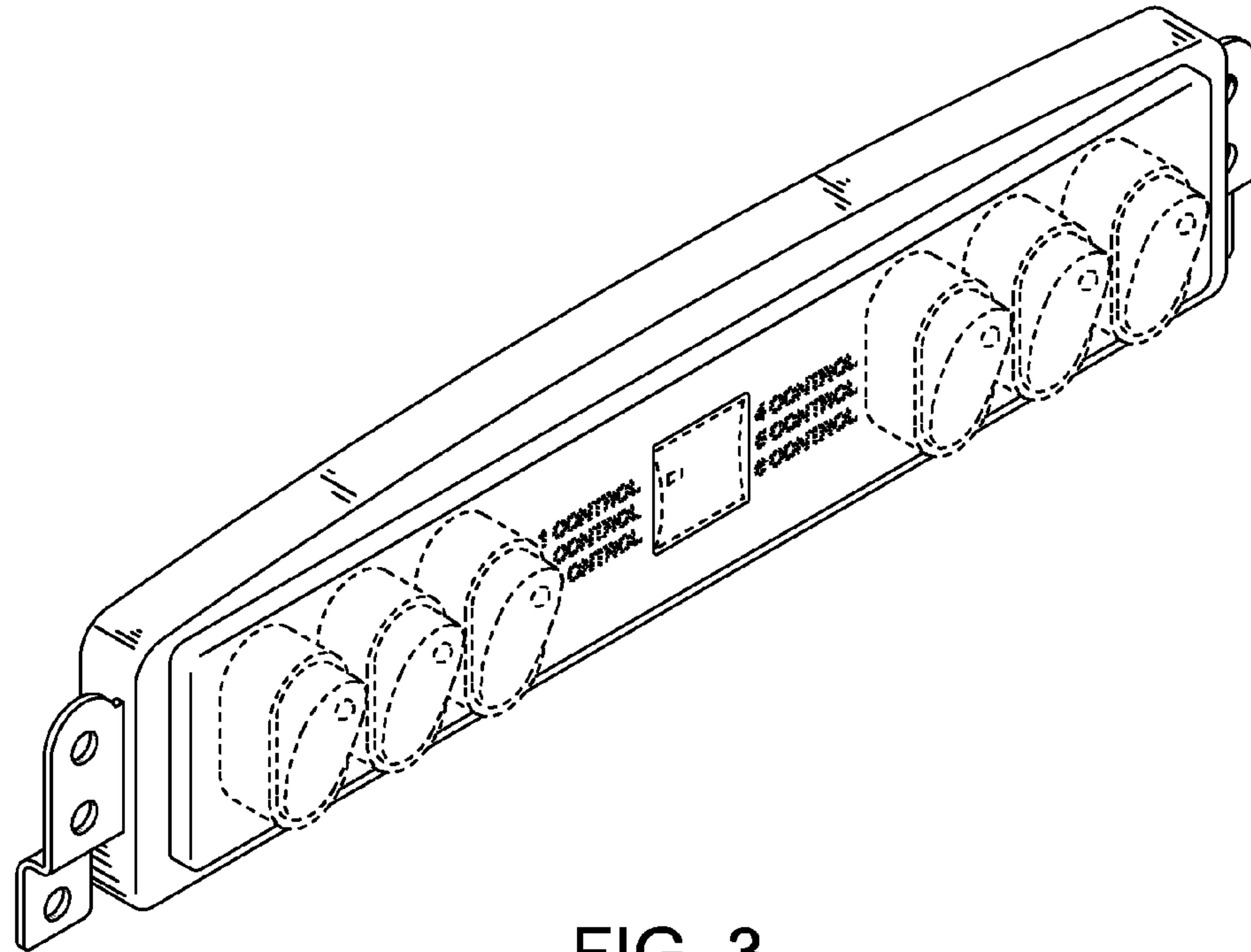


FIG. 3

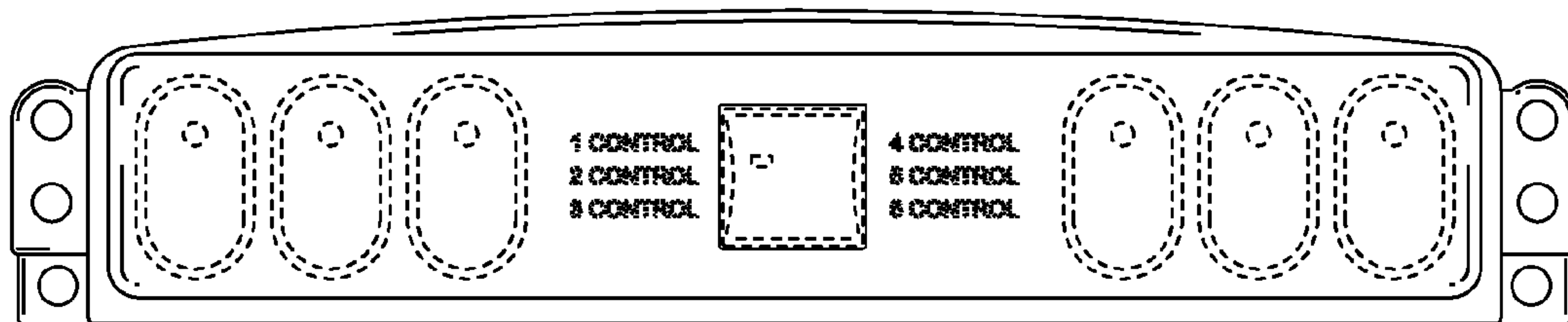


FIG. 4

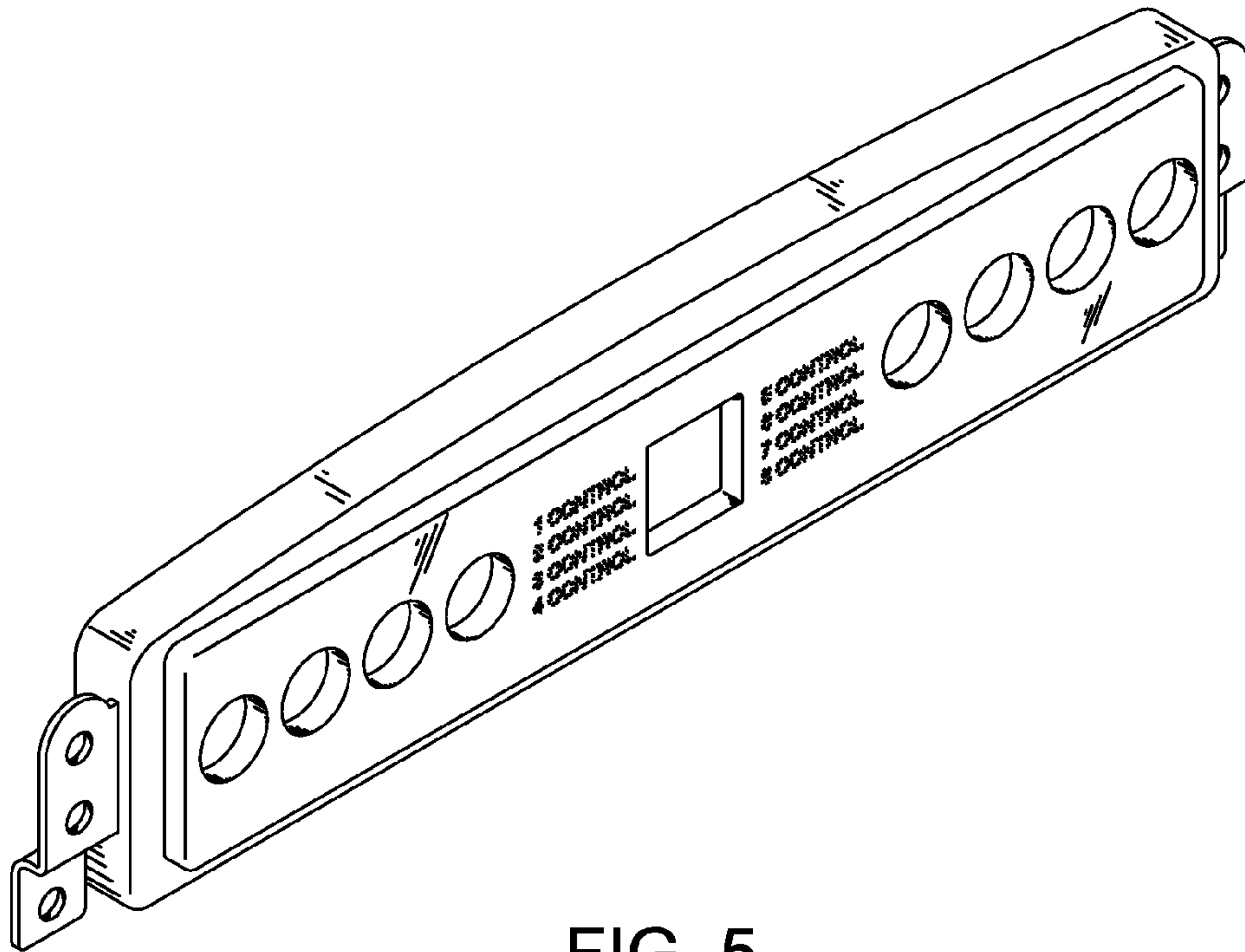


FIG. 5

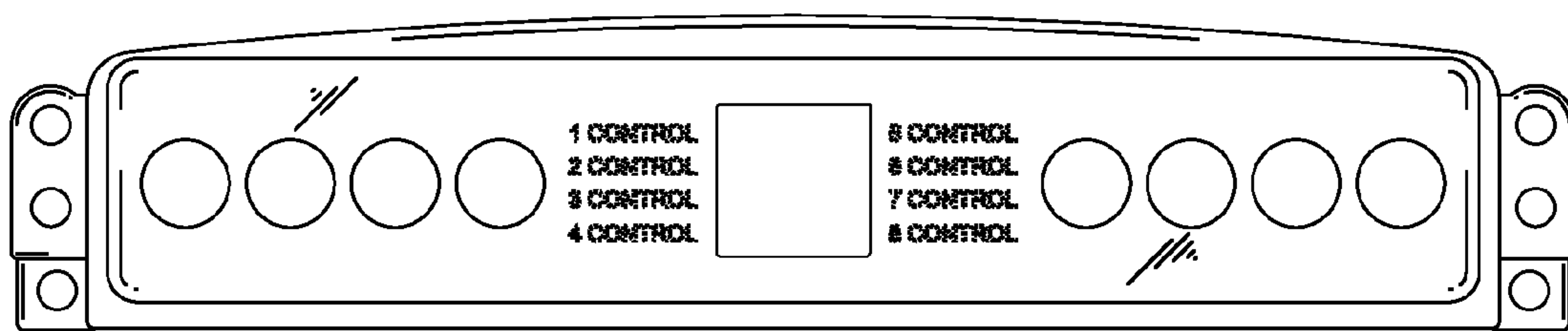


FIG. 6

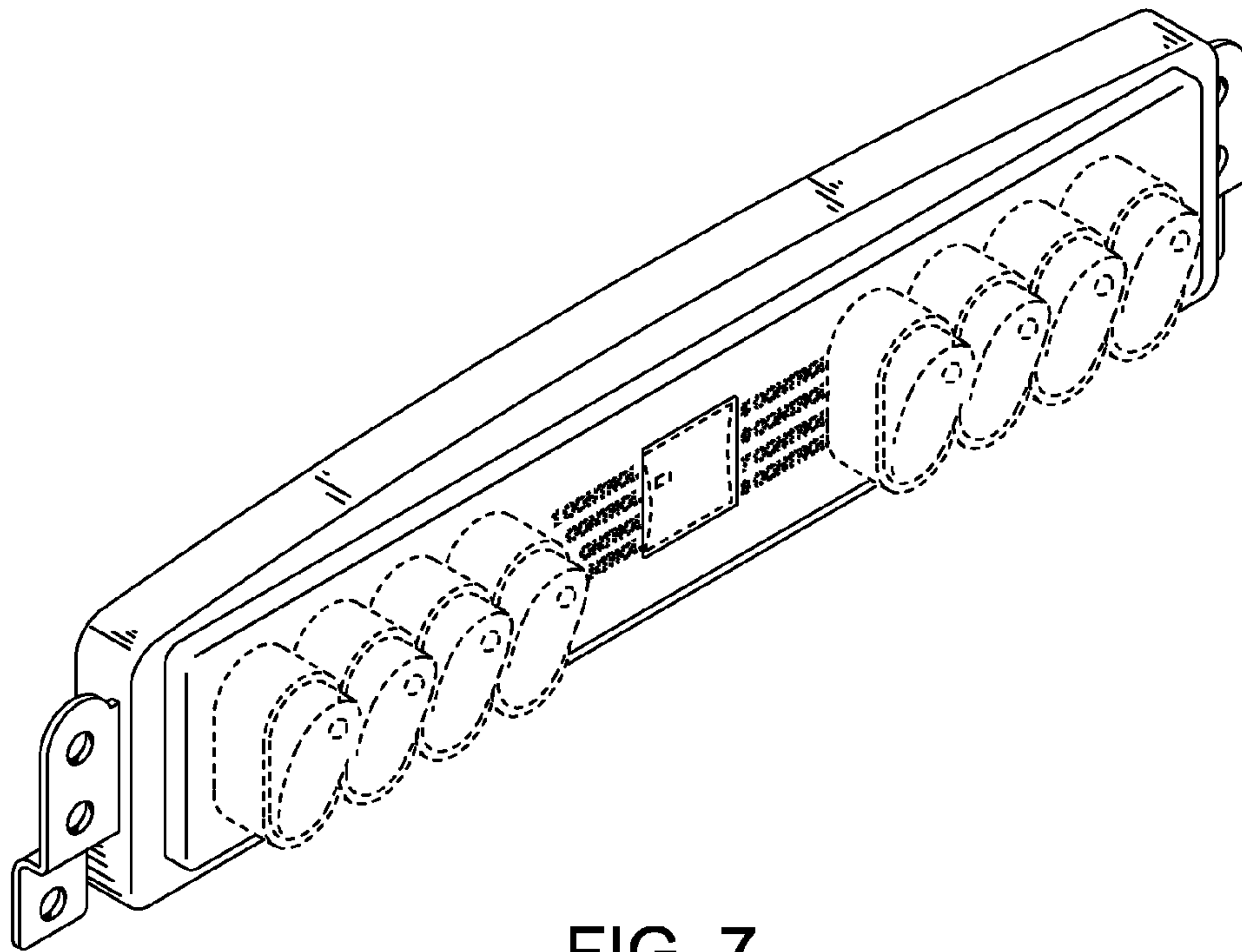


FIG. 7

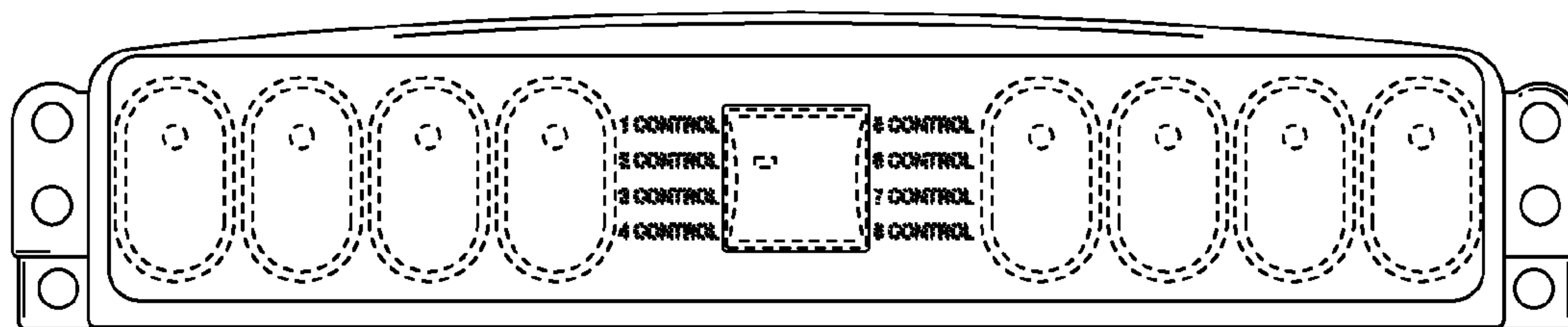


FIG. 8

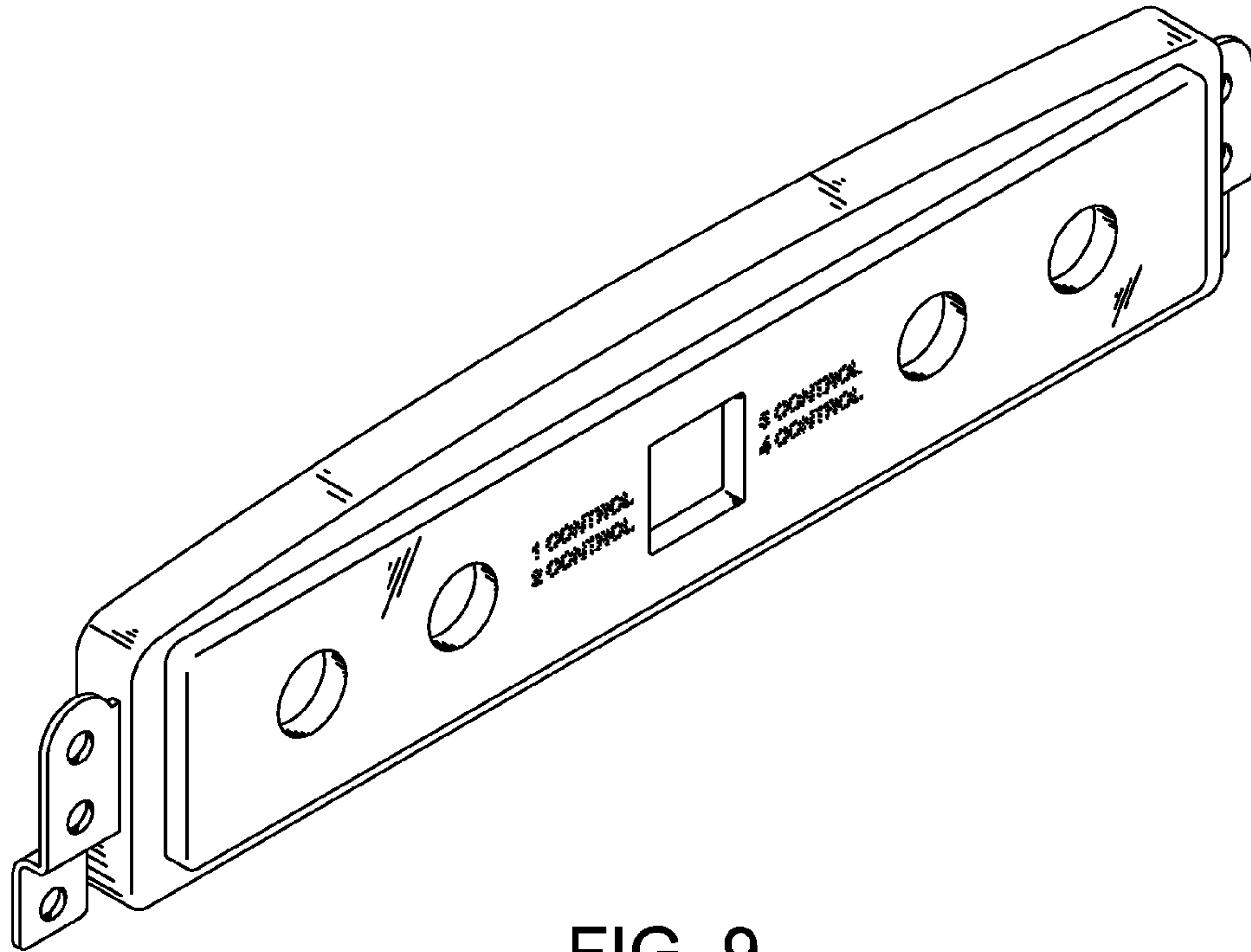


FIG. 9

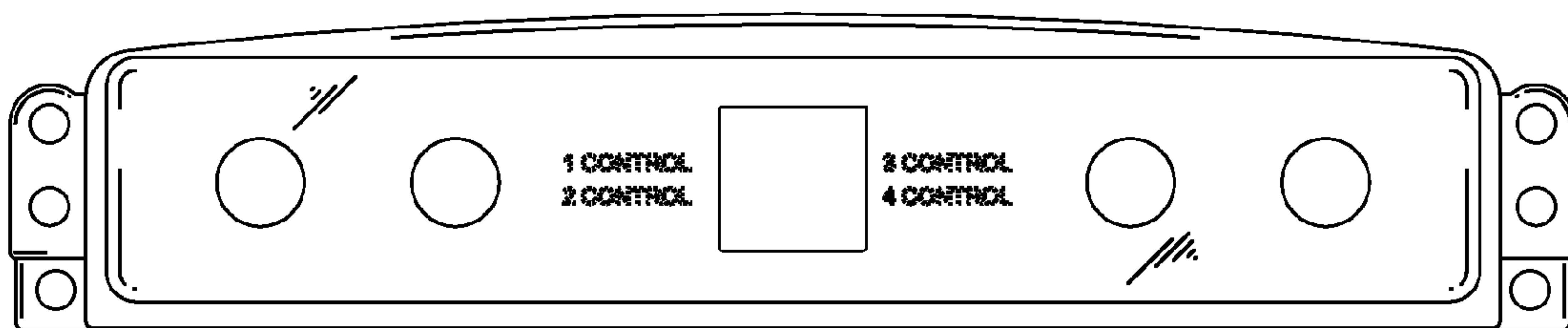


FIG. 10

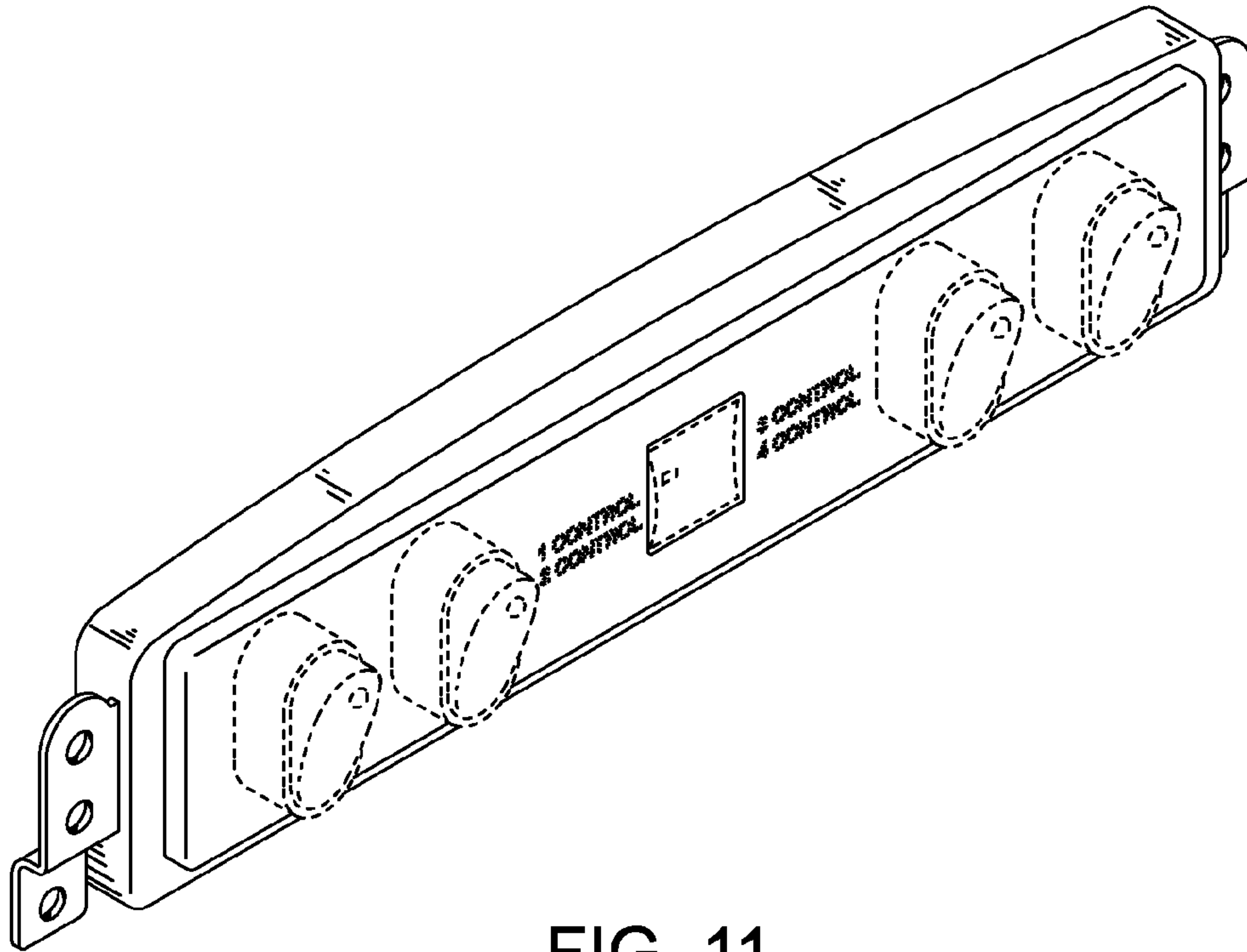


FIG. 11

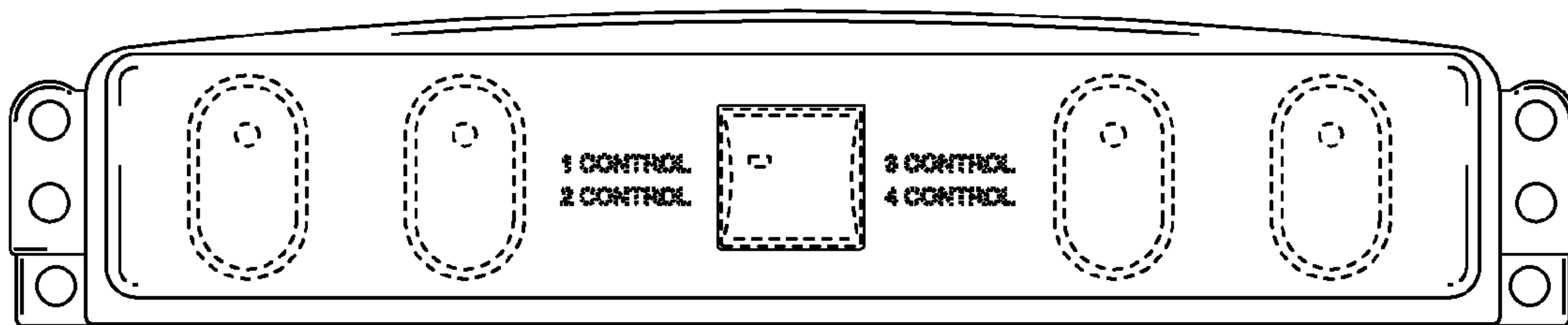


FIG. 12