



US00D599743S

(12) **United States Design Patent**
Inayoshi et al.

(10) **Patent No.:** **US D599,743 S**
(45) **Date of Patent:** **** Sep. 8, 2009**

(54) **HIGH-FREQUENCY COAXIAL CONNECTOR**

(75) Inventors: **Tsuneyuki Inayoshi**, Aichi-ken (JP);
Masahiro Okawa, Aichi-ken (JP);
Yoshinori Wakita, Aichi-ken (JP);
Kazutoshi Itakura, Aichi-ken (JP)

(73) Assignee: **Masprodenkoh Kabushikikaisha**,
Aichi-Ken (JP)

(**) Term: **14 Years**

(21) Appl. No.: **29/321,702**

(22) Filed: **Jul. 22, 2008**

(51) **LOC (9) Cl.** **13-03**

(52) **U.S. Cl.** **D13/151; D13/133**

(58) **Field of Classification Search** D13/133,
D13/149, 151, 153, 154, 156, 184, 199; 439/133,
439/321, 322, 578, 583, 584, 585, 668, 79,
439/248, 258, 274, 350, 352, 353, 358, 359,
439/362, 378, 445, 447, 656, 660, 676, 677,
439/678, 679, 680, 681, 682, 686; 411/7,
411/11; 426/507; 28/828; 307/10.1; 333/81 A
See application file for complete search history.

(56) **References Cited**

U.S. PATENT DOCUMENTS

D519,452 S * 4/2006 Rodrigues et al. D13/133
7,063,565 B2 * 6/2006 Ward 439/578

7,131,868 B2 * 11/2006 Montena 439/578
D556,693 S * 12/2007 Montena D13/151
2003/0082942 A1 * 5/2003 Wlos 439/348
2006/0014426 A1 * 1/2006 Montena 439/578
2006/0264099 A1 * 11/2006 Morikawa 439/578
2007/0087628 A1 * 4/2007 Rodrigues et al. 439/585
2008/0207051 A1 * 8/2008 Montena 439/578

* cited by examiner

Primary Examiner—Daniel D Bui

Assistant Examiner—Thomas J Johannes

(74) *Attorney, Agent, or Firm*—Davis & Bujold, P.L.L.C.

(57) **CLAIM**

We claim the ornamental design for a high-frequency coaxial connector, as shown and described.

DESCRIPTION

FIG. 1 is a front, top, left side perspective view of A high-frequency coaxial connector embodying our new design;

FIG. 2 is a rear, top, left side perspective view of thereof;

FIG. 3 is a bottom plan view thereof;

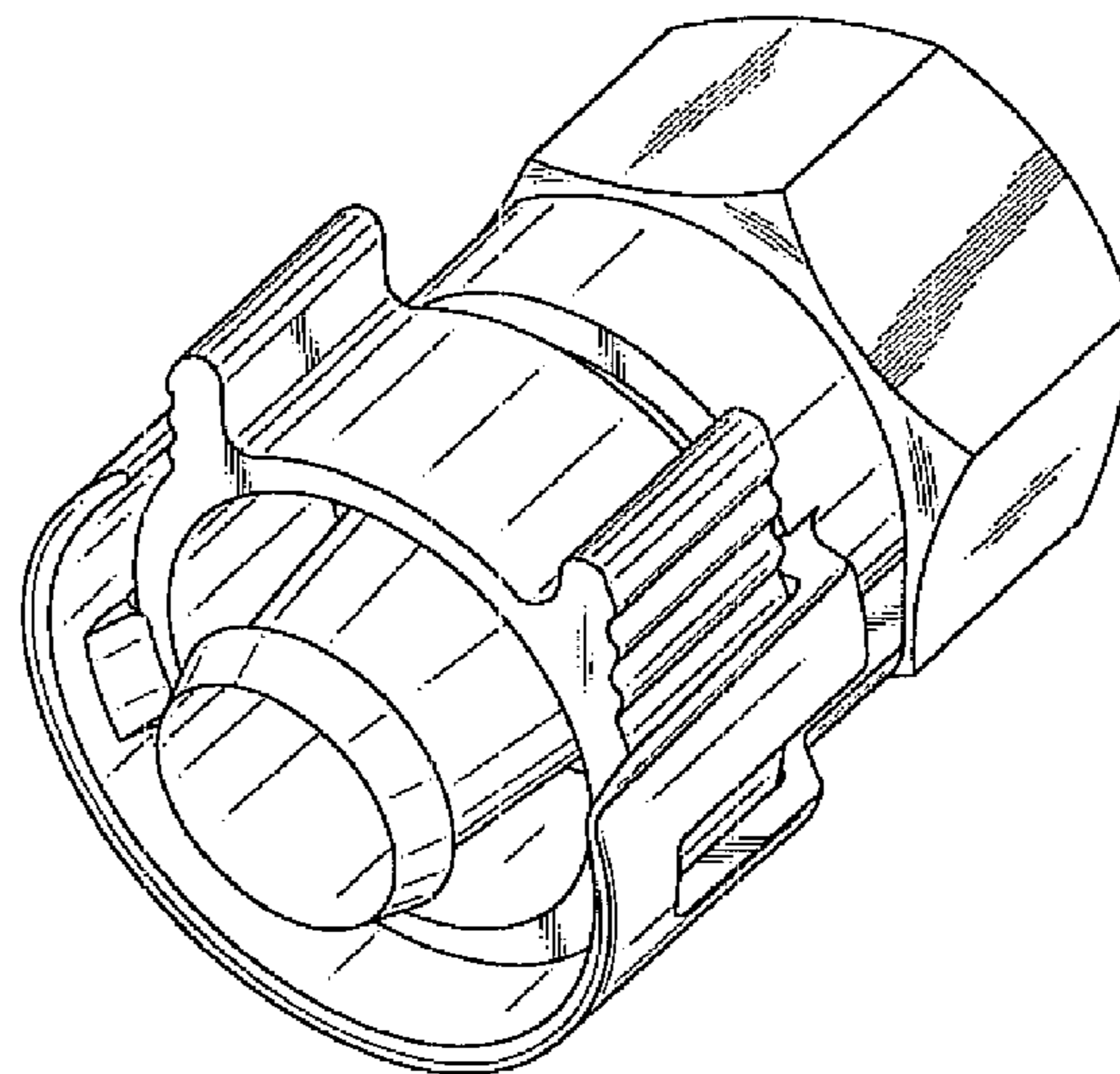
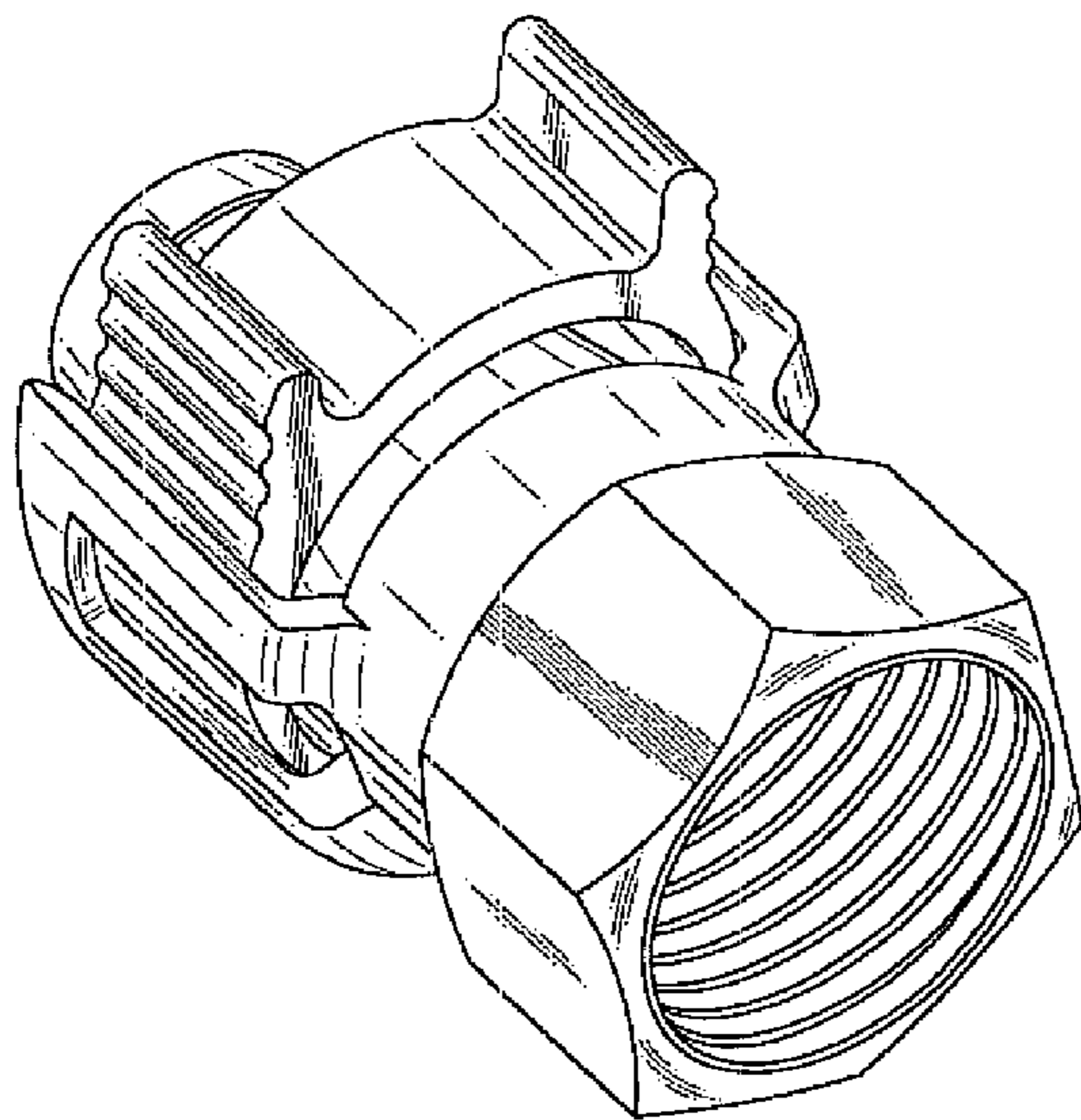
FIG. 4 is a right side elevational view thereof, the left side elevational view being a mirror image thereof;

FIG. 5 is a top plan view thereof;

FIG. 6 is a front elevational view thereof; and,

FIG. 7 is a rear elevational view thereof.

1 Claim, 3 Drawing Sheets



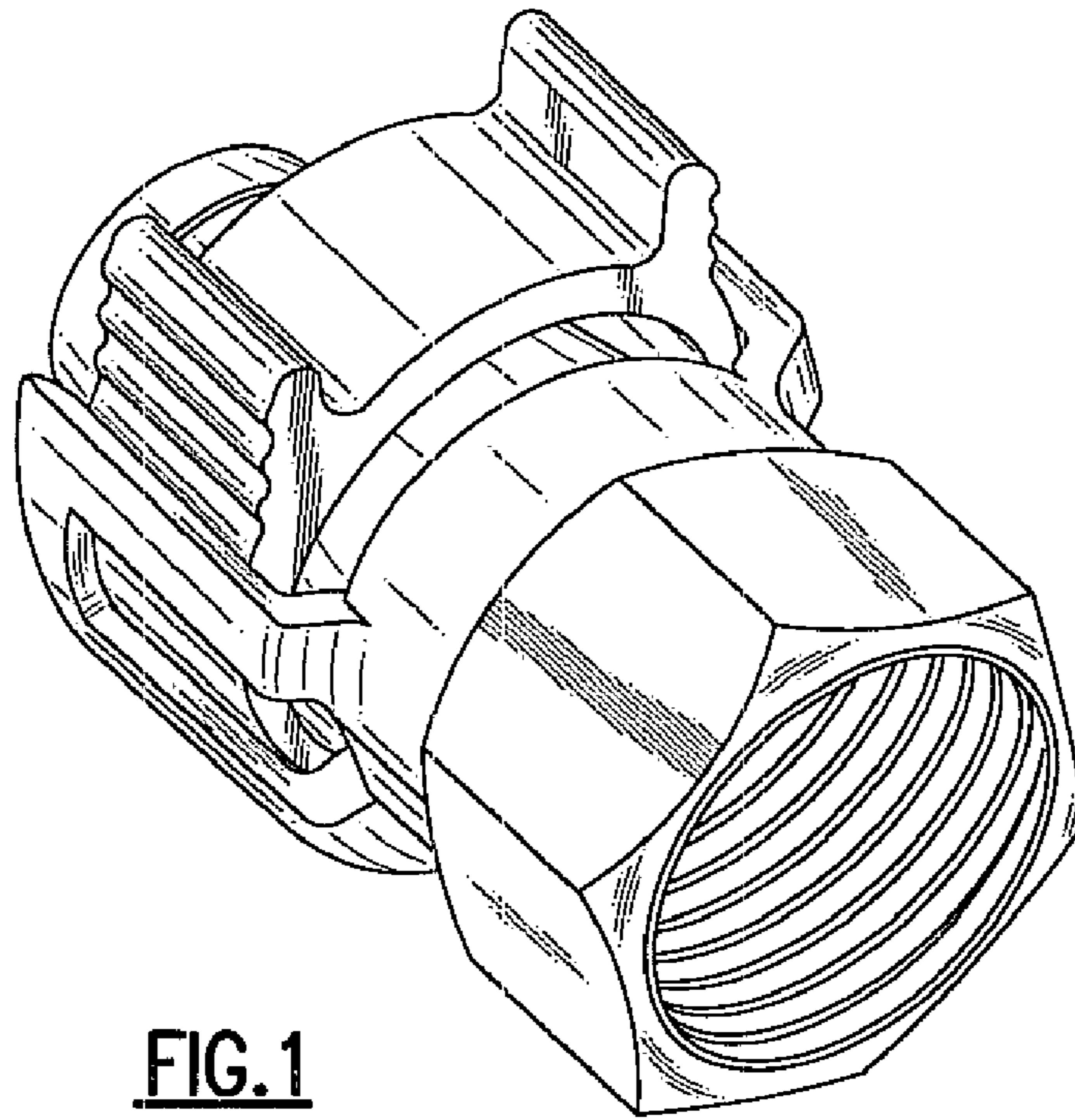


FIG. 1

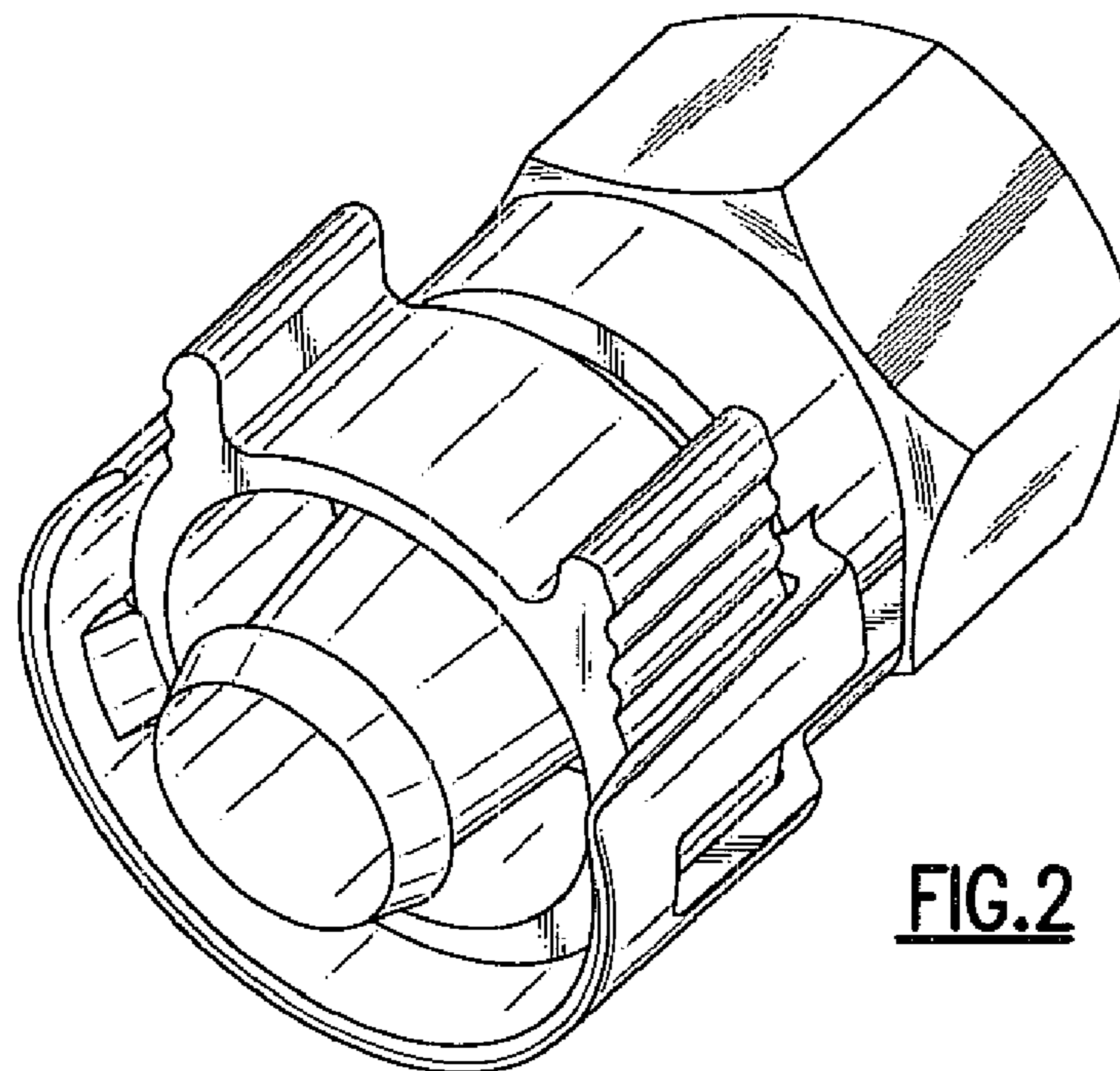


FIG. 2

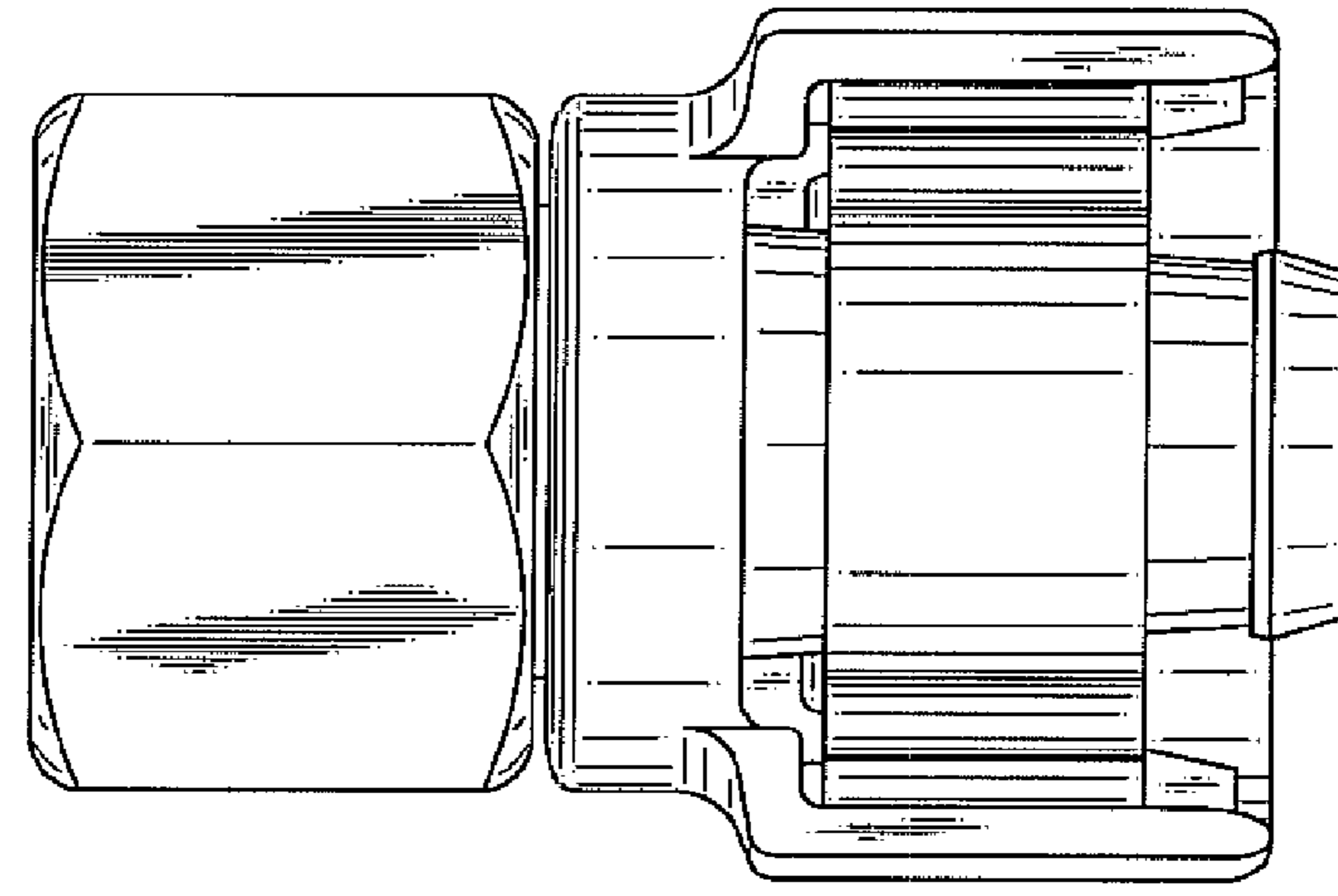


FIG.3

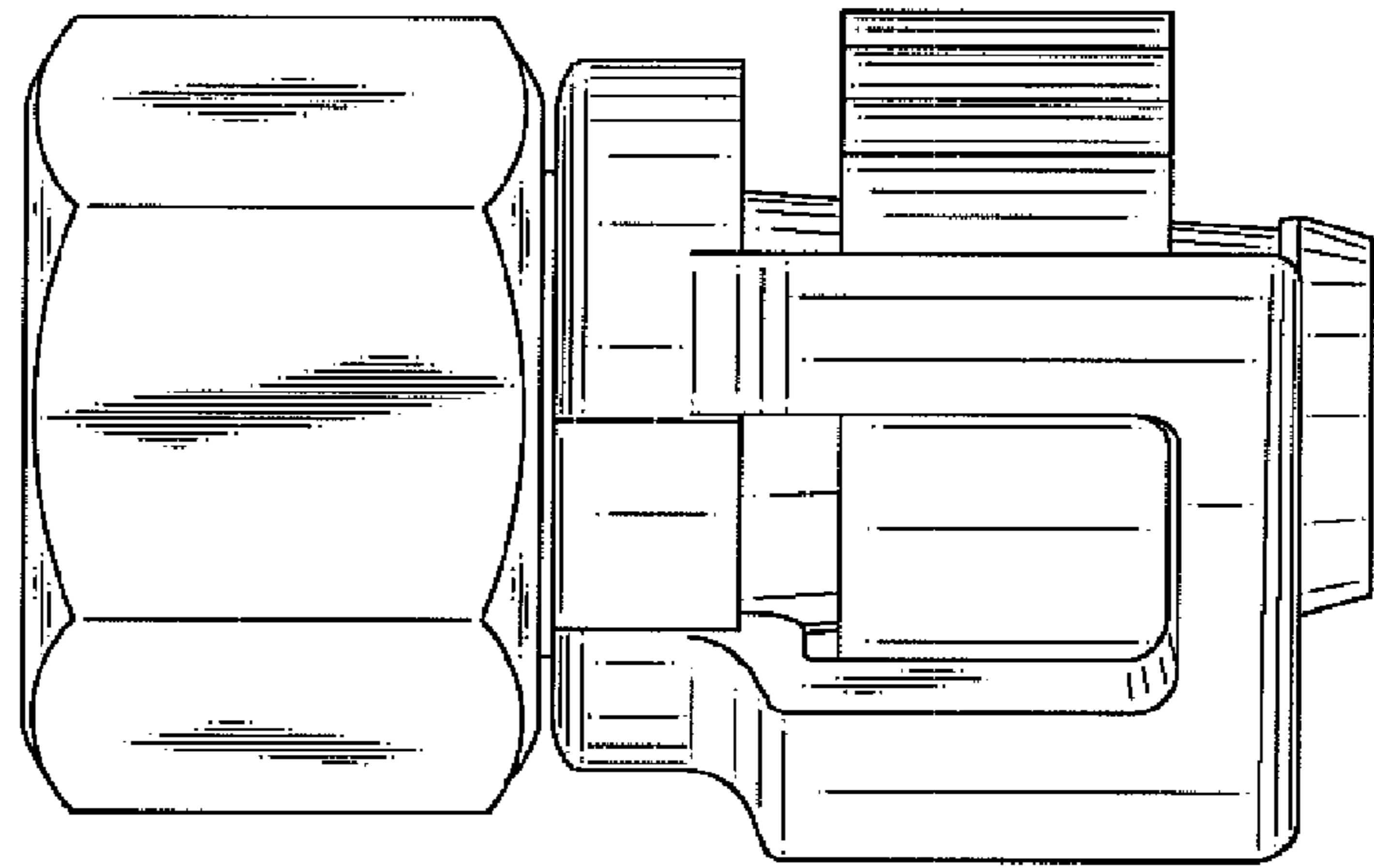


FIG.4

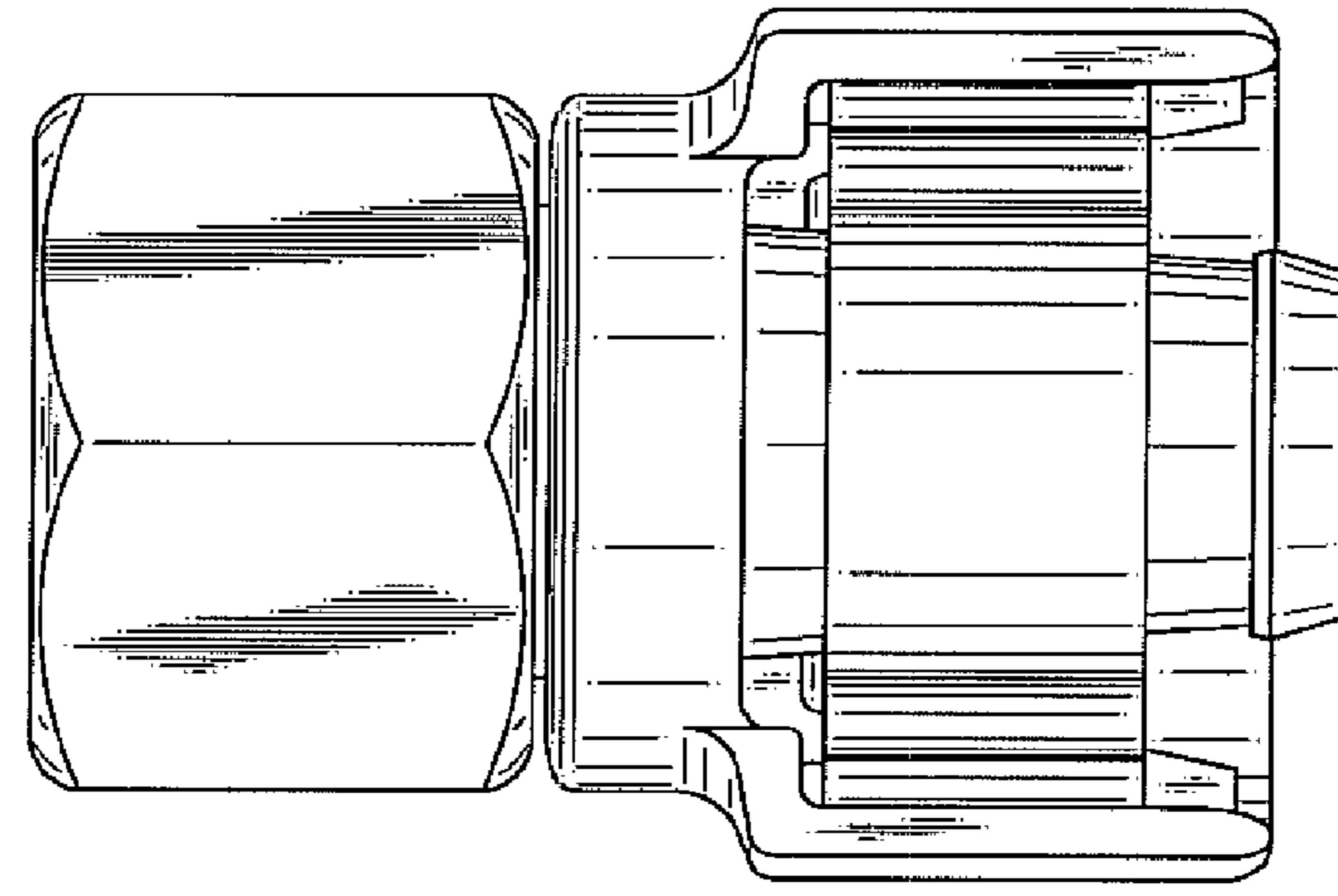


FIG.5

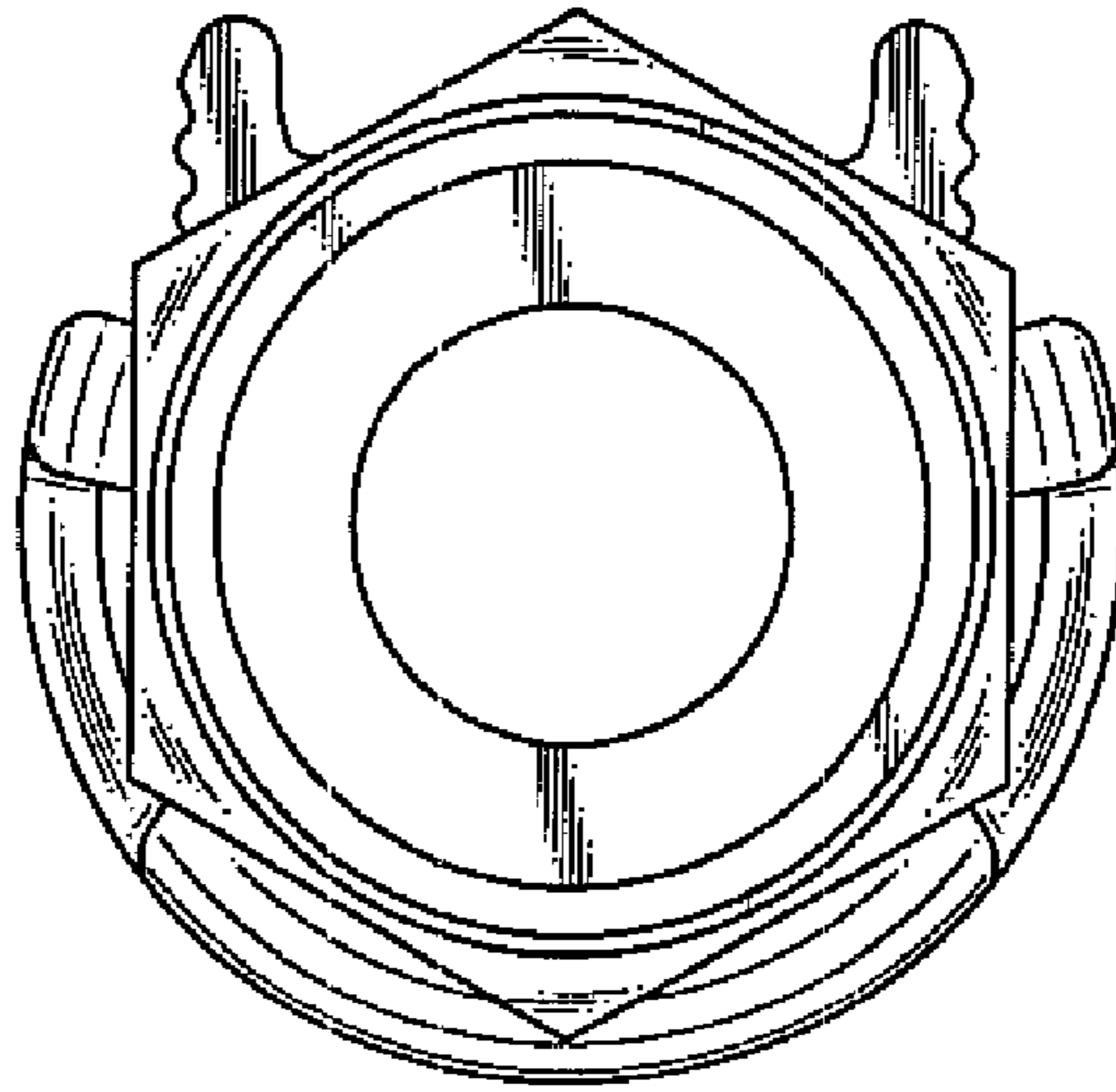


FIG. 6

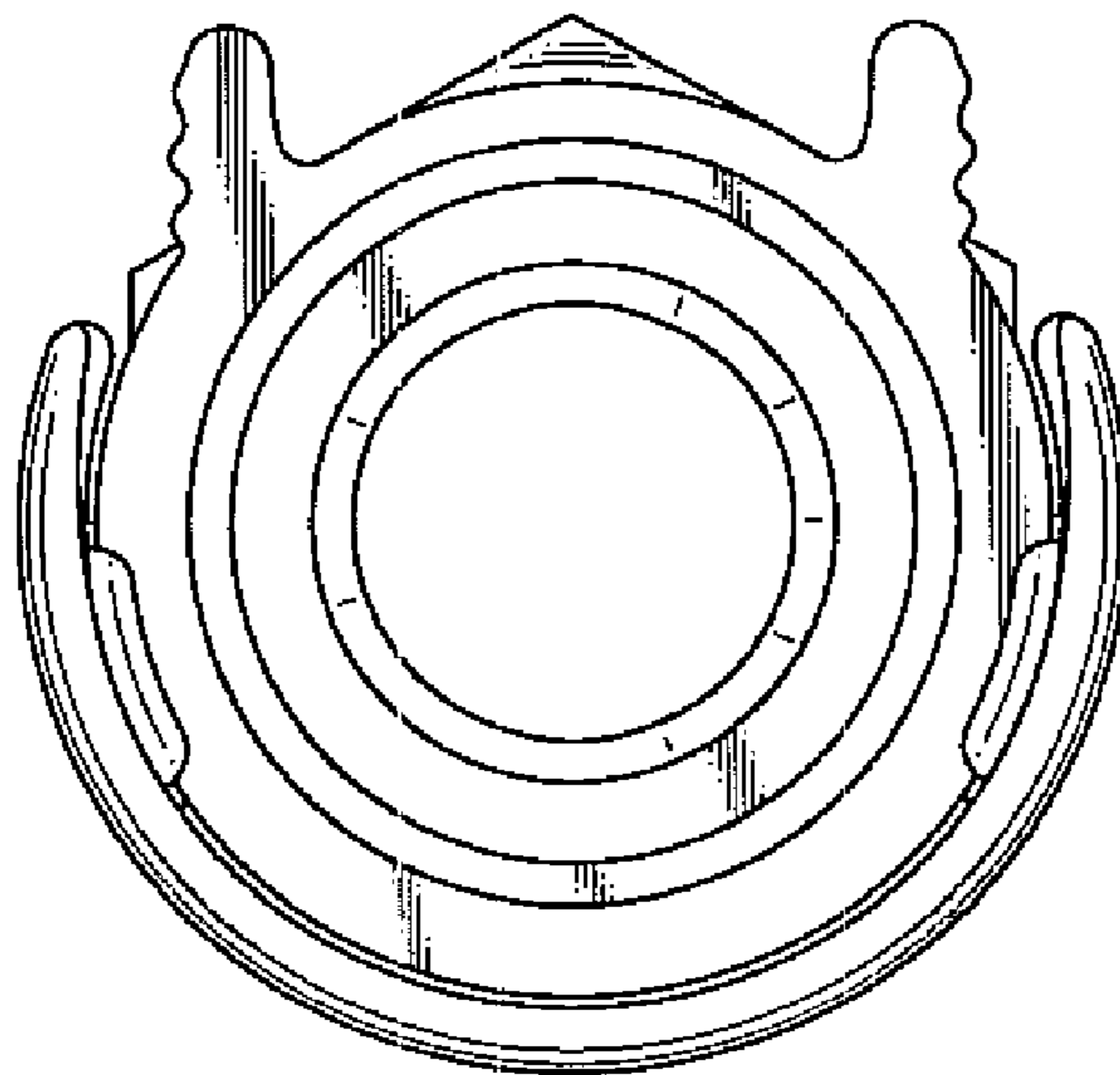


FIG. 7