



US00D599742S

(12) **United States Design Patent**
Hynecek et al.

(10) **Patent No.:** **US D599,742 S**

(45) **Date of Patent:** **** Sep. 8, 2009**

(54) **CONNECTOR STRAIN RELIEF**

(75) Inventors: **Bryan Hynecek**, Redwood City, CA (US); **Stephen R. Myers**, Redwood City, CA (US)

(73) Assignee: **Monster Cable Products, Inc.**, Brisbane, CA (US)

(**) Term: **14 Years**

(21) Appl. No.: **29/323,656**

(22) Filed: **Aug. 28, 2008**

(51) **LOC (9) Cl.** **13-03**

(52) **U.S. Cl.** **D13/147; D13/154**

(58) **Field of Classification Search** D13/133, D13/146-147, 153-154, 184, 199; D14/496; D21/324, 333, 385; 439/352, 358, 502, 638, 439/607.01, 607.41, 680

See application file for complete search history.

(56) **References Cited**

U.S. PATENT DOCUMENTS

6,146,205 A * 11/2000 Lai 439/607.41

D548,700 S * 8/2007 Ledbetter et al. D13/154

D549,660 S * 8/2007 Zenri et al. D13/147

* cited by examiner

Primary Examiner—Nanda Bondade

(74) *Attorney, Agent, or Firm*—LaRiviere, Grubman & Payne, LLP

(57) **CLAIM**

The ornamental design for a connector strain relief, as shown and described in the accompanying drawings.

DESCRIPTION

A portion of the disclosure of this patent document contains material which is subject to copyright protection. The copyright owner has no objection to the facsimile reproduction by any one of the patent document or the patent disclosure, as it appears in the Patent and Trademark Office patent file or records, but otherwise reserves all copyright rights whatsoever.

FIG. 1 is a perspective view of a connector strain relief, in accordance with the present invention.

FIG. 2 is a front view thereof;

FIG. 3 is a rear view thereof;

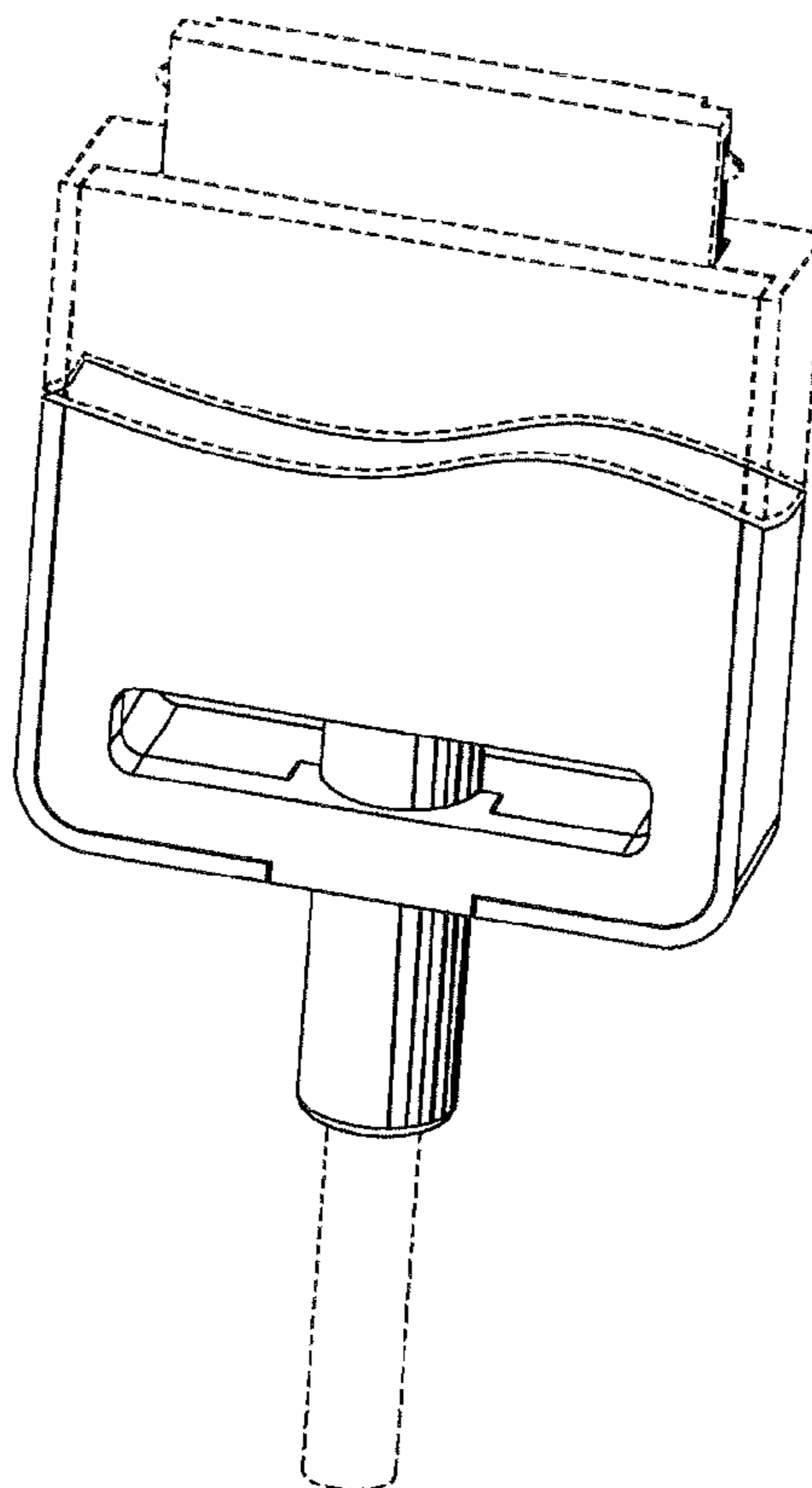
FIG. 4 is a side view thereof;

FIG. 5 is an opposing side view thereof; and,

FIG. 6 is a bottom view thereof.

The broken lines showing the environment in the Figures are for illustrative purposes only and form no part of the claimed design.

1 Claim, 3 Drawing Sheets



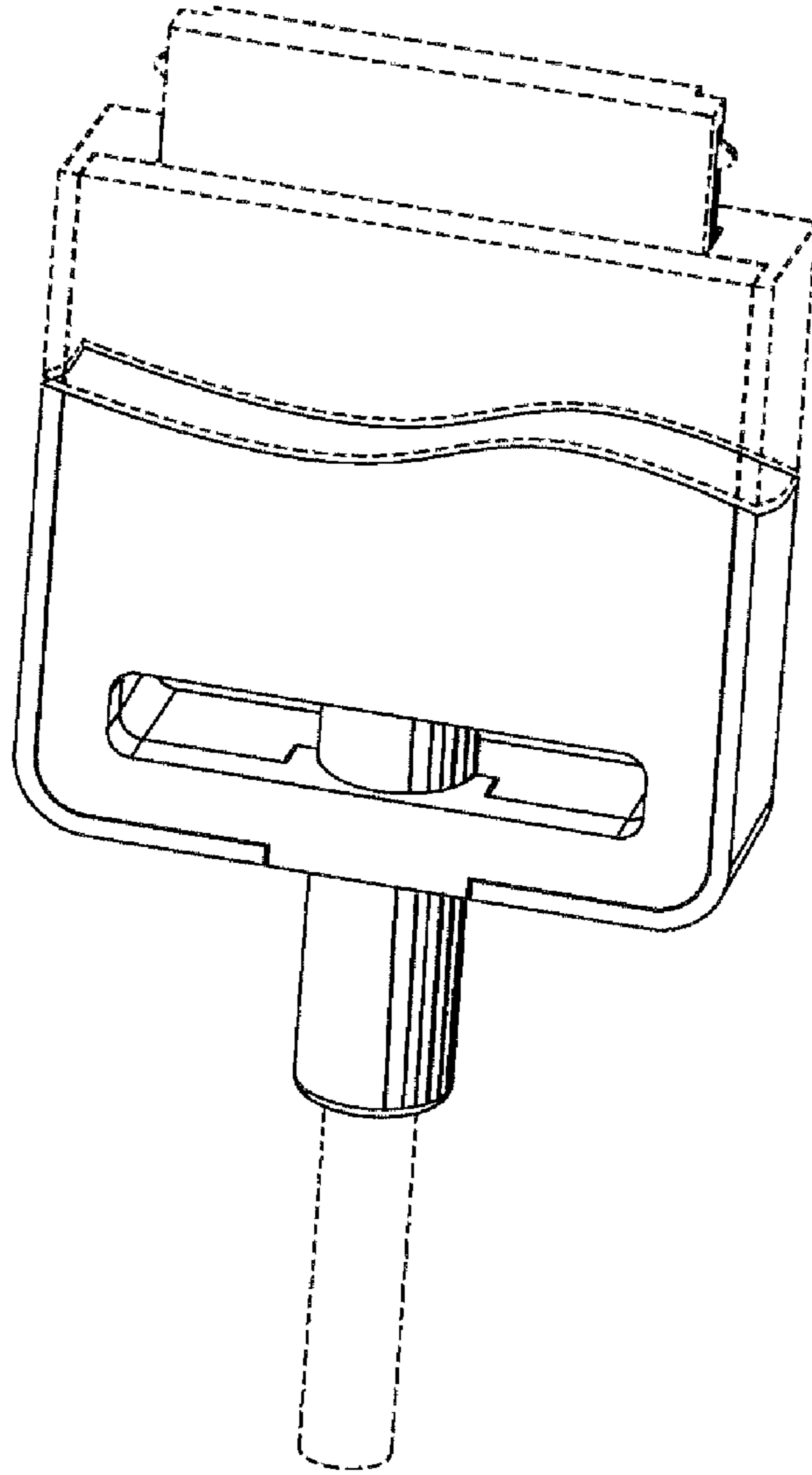


Figure 1

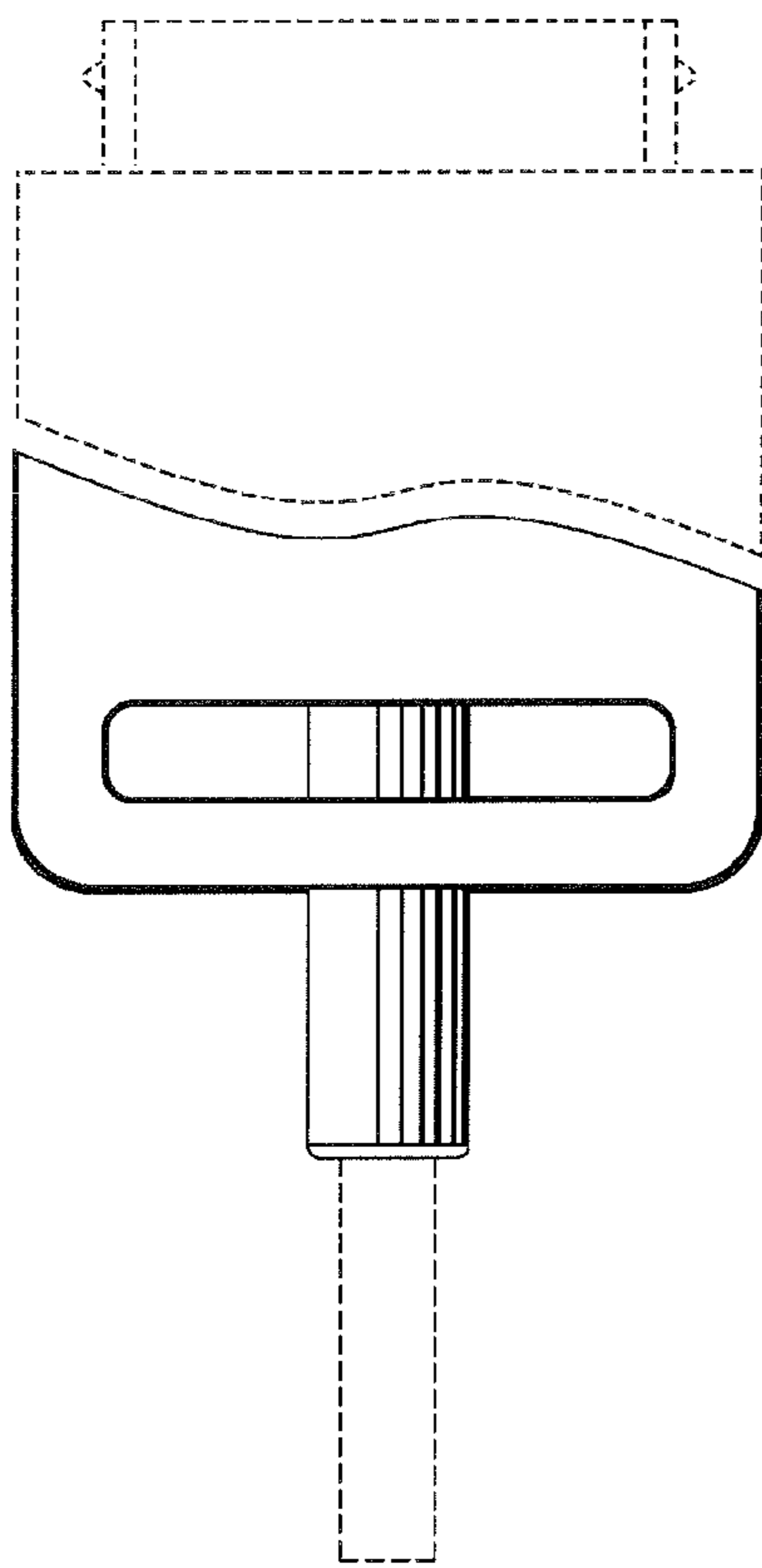


Figure 2

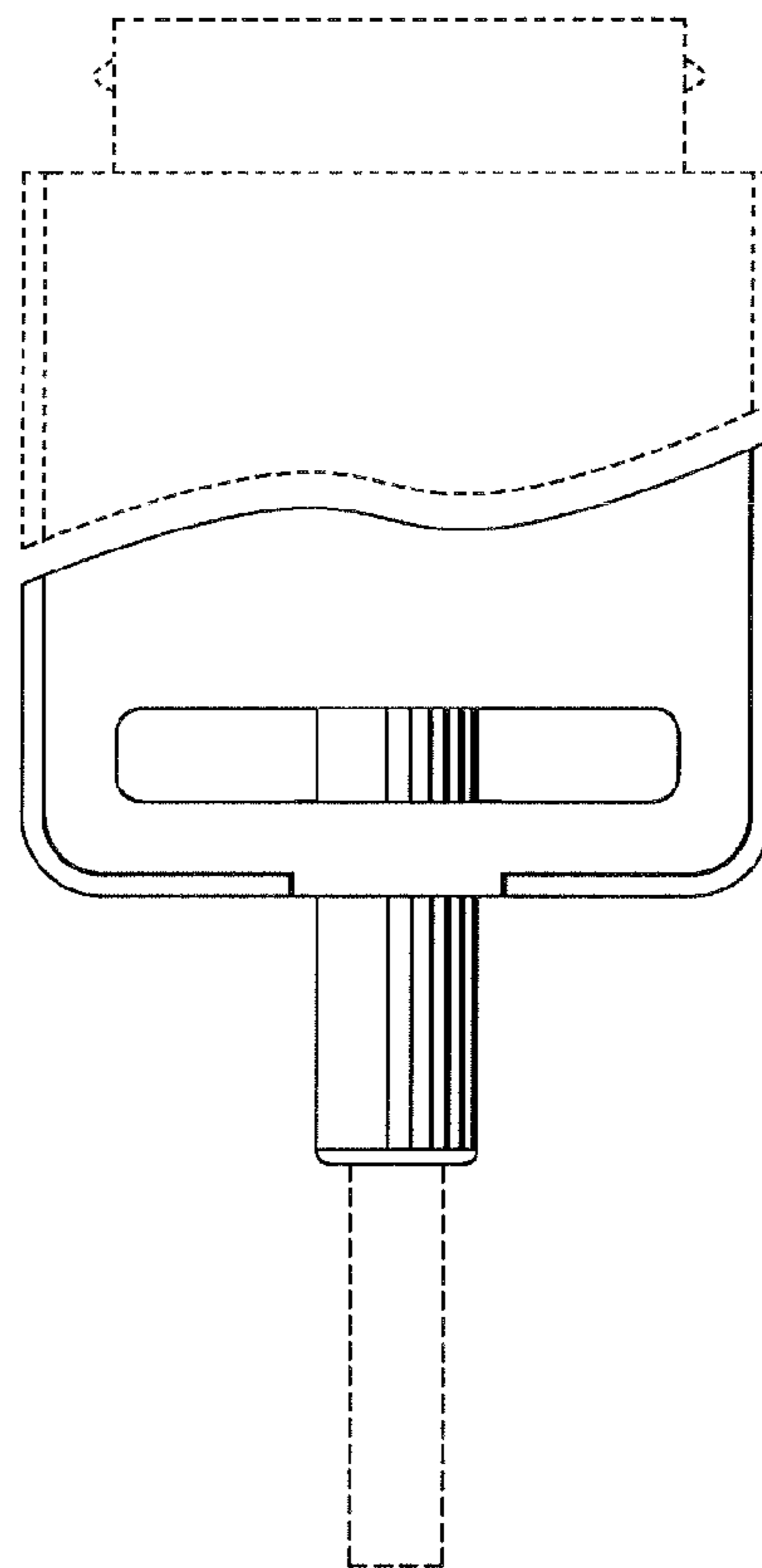


Figure 3

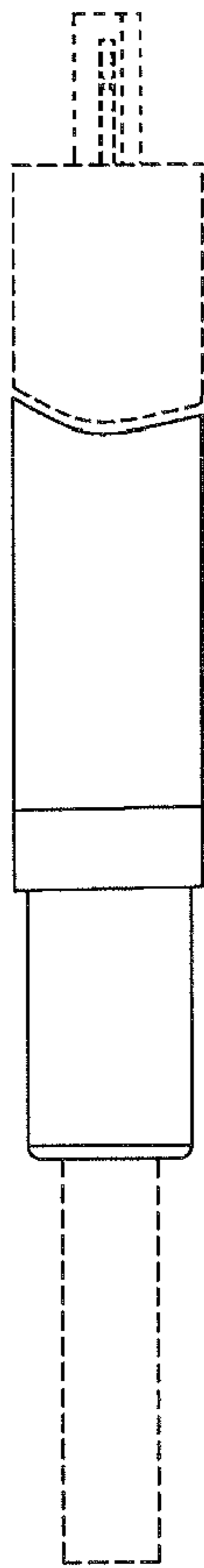


Figure 4

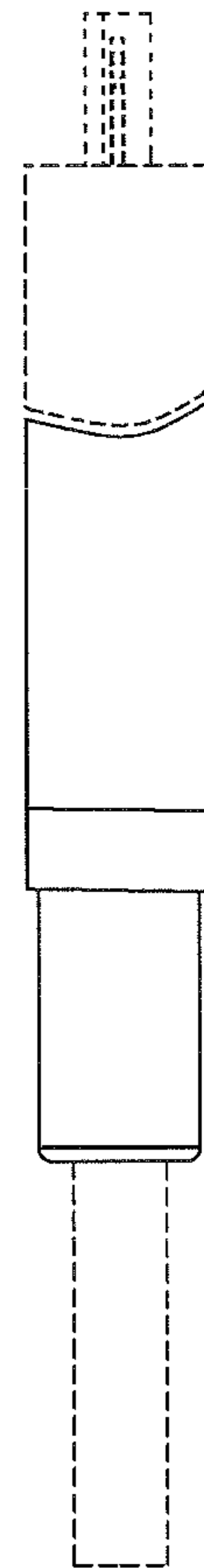


Figure 5

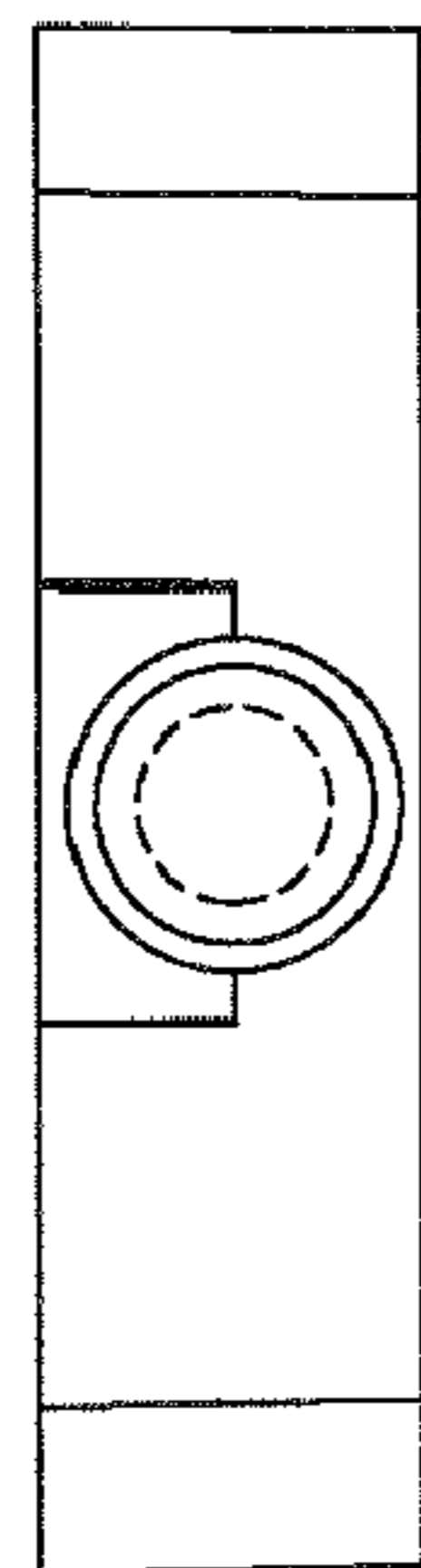


Figure 6