



US00D599741S

(12) **United States Design Patent**
Meldert et al.

(10) **Patent No.:** **US D599,741 S**
(45) **Date of Patent:** **** Sep. 8, 2009**

(54) **CONNECTOR PLUG FOR A
MULTI-CONDUCTOR CABLE**

D523,812 S * 6/2006 Brodin D13/146
D527,346 S * 8/2006 Brodin D13/146
D559,785 S * 1/2008 Tosetti D13/147

(75) Inventors: **Nils Thomas Meldert**, Amal (SE); **Kjell
Ola Tobias Syvertsson**, Sollentuna (SE)

* cited by examiner

(73) Assignee: **Atlas Copco Tools AB**, Nacka (SE)

Primary Examiner—Daniel D Bui
(74) *Attorney, Agent, or Firm*—Frishauf, Holtz, Goodman &
Chick, P.C.

(**) Term: **14 Years**

(21) Appl. No.: **29/288,087**

(57) **CLAIM**

(22) Filed: **May 30, 2007**

The ornamental design for a connector plug for a multi-
conductor cable, as shown and described.

(30) **Foreign Application Priority Data**

Nov. 30, 2006 (SE) 2006/0672

DESCRIPTION

(51) **LOC (9) Cl.** **13-03**

FIG. 1 is a front end perspective view of a connector plug for
a multi-conductor cable showing our new design;

(52) **U.S. Cl.** **D13/147**

FIG. 2 is a rear perspective view thereof;

(58) **Field of Classification Search** D13/133,
D13/146, 147, 154, 184; 439/277, 359, 362,
439/369, 372; 174/88 C

FIG. 3 is a left side view thereof, the right side view being a
mirror image;

See application file for complete search history.

FIG. 4 is a top plan view thereof;

(56) **References Cited**

FIG. 5 is a bottom plan view thereof;

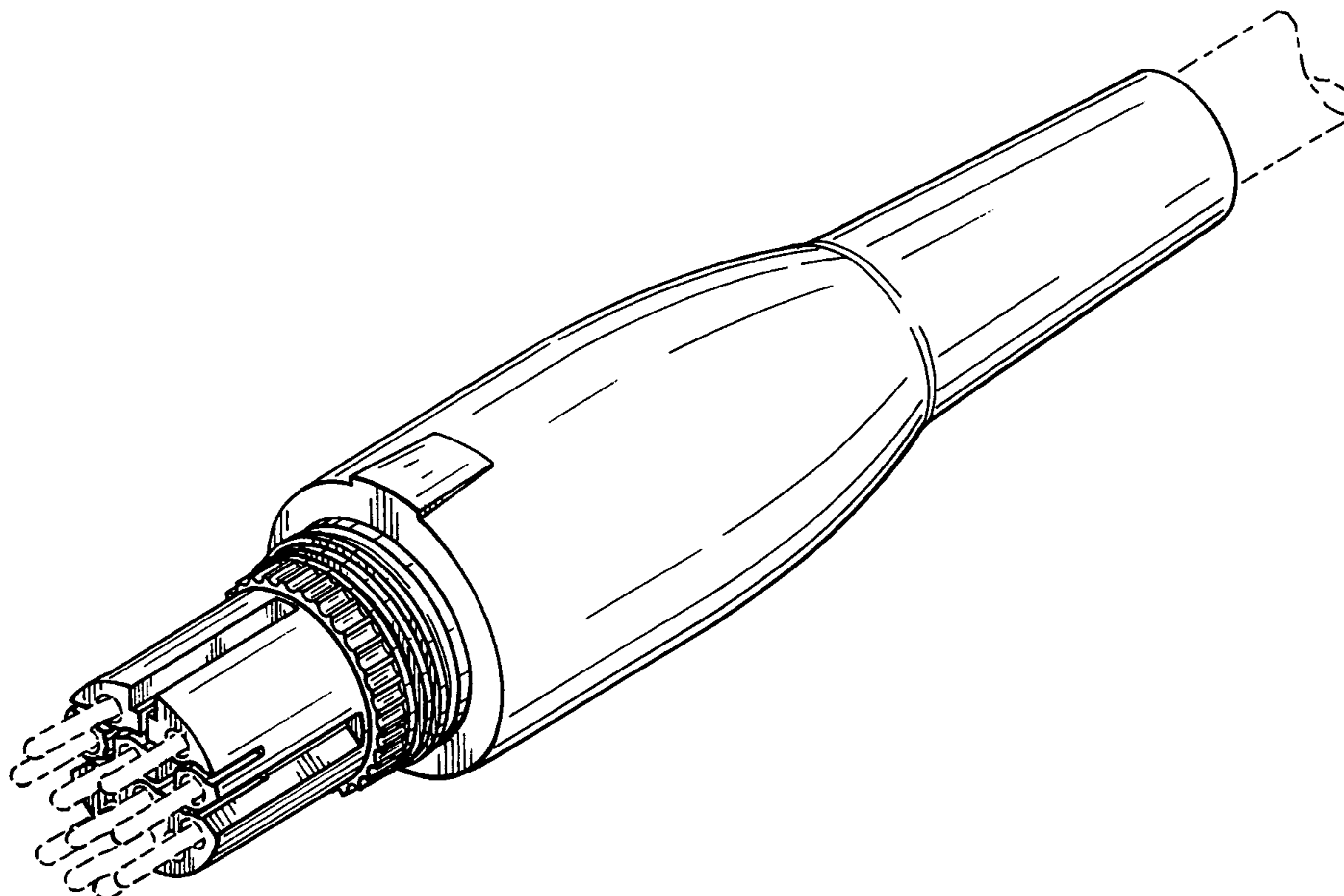
U.S. PATENT DOCUMENTS

FIG. 6 is a front end view thereof; and,

FIG. 7 is a rear end view thereof.

D420,644 S * 2/2000 Nemser et al. D13/146
D505,918 S * 6/2005 Conway et al. D13/147

1 Claim, 3 Drawing Sheets



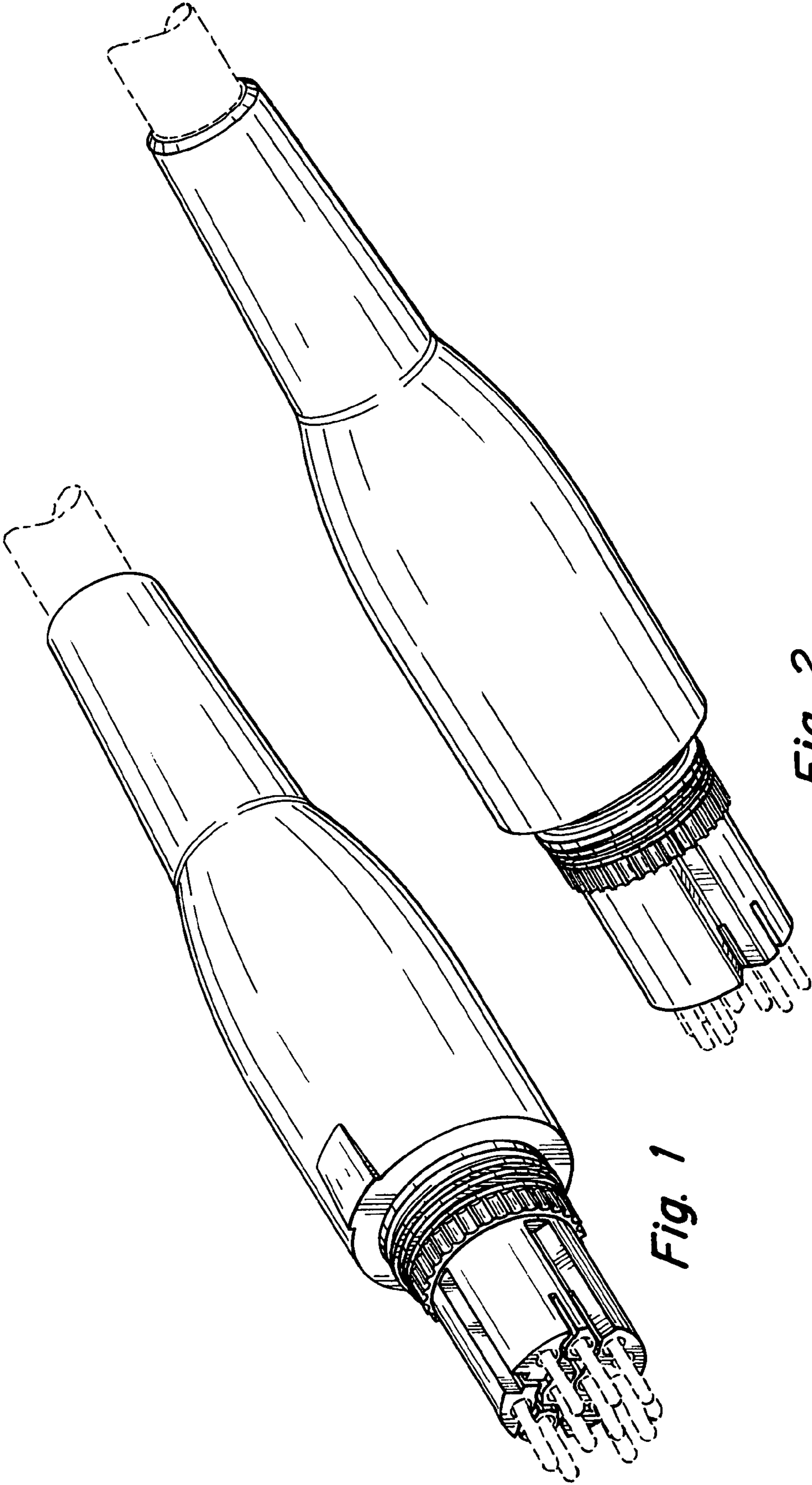


Fig. 1

Fig. 2

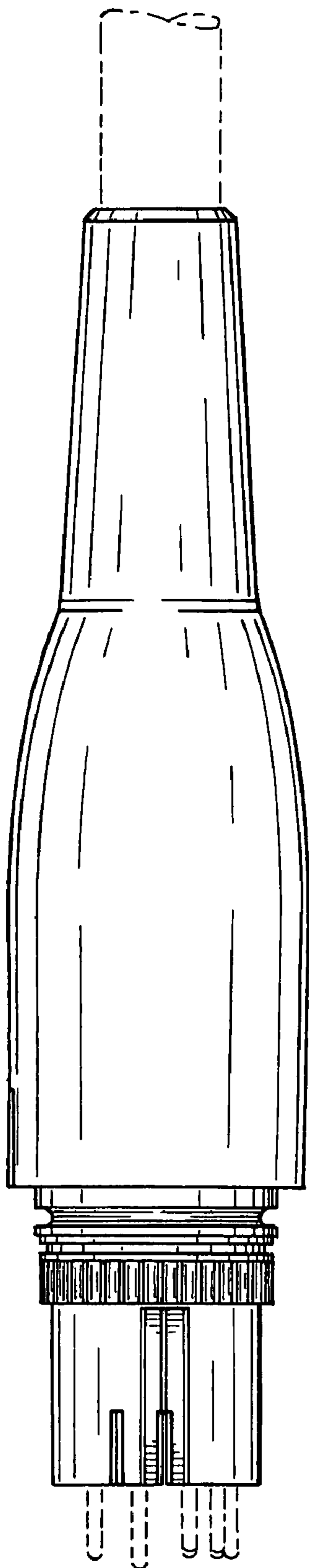


Fig. 3

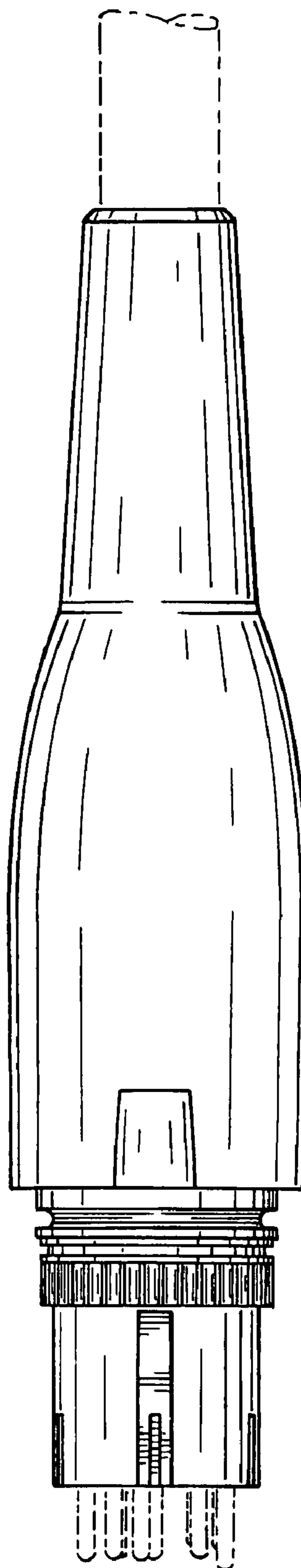


Fig. 4

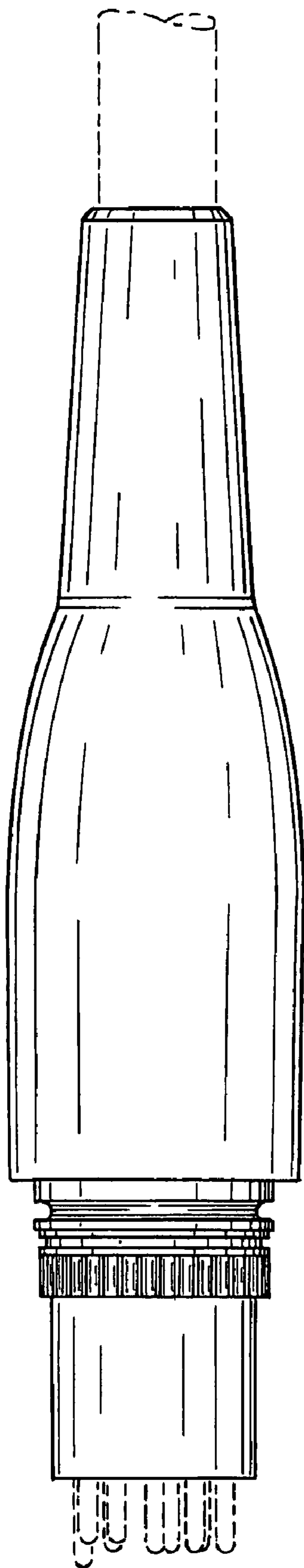


Fig. 5

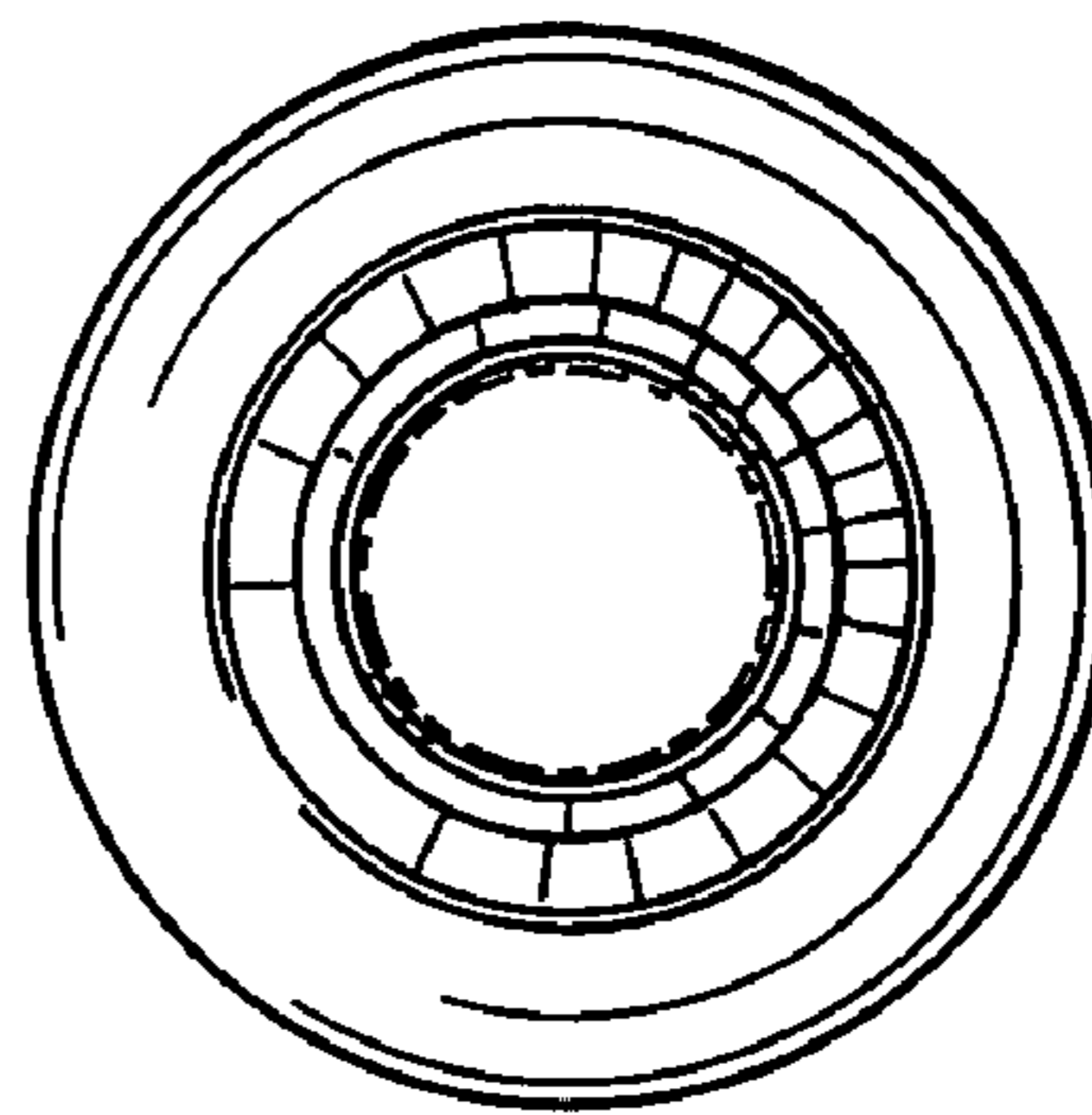


Fig. 7

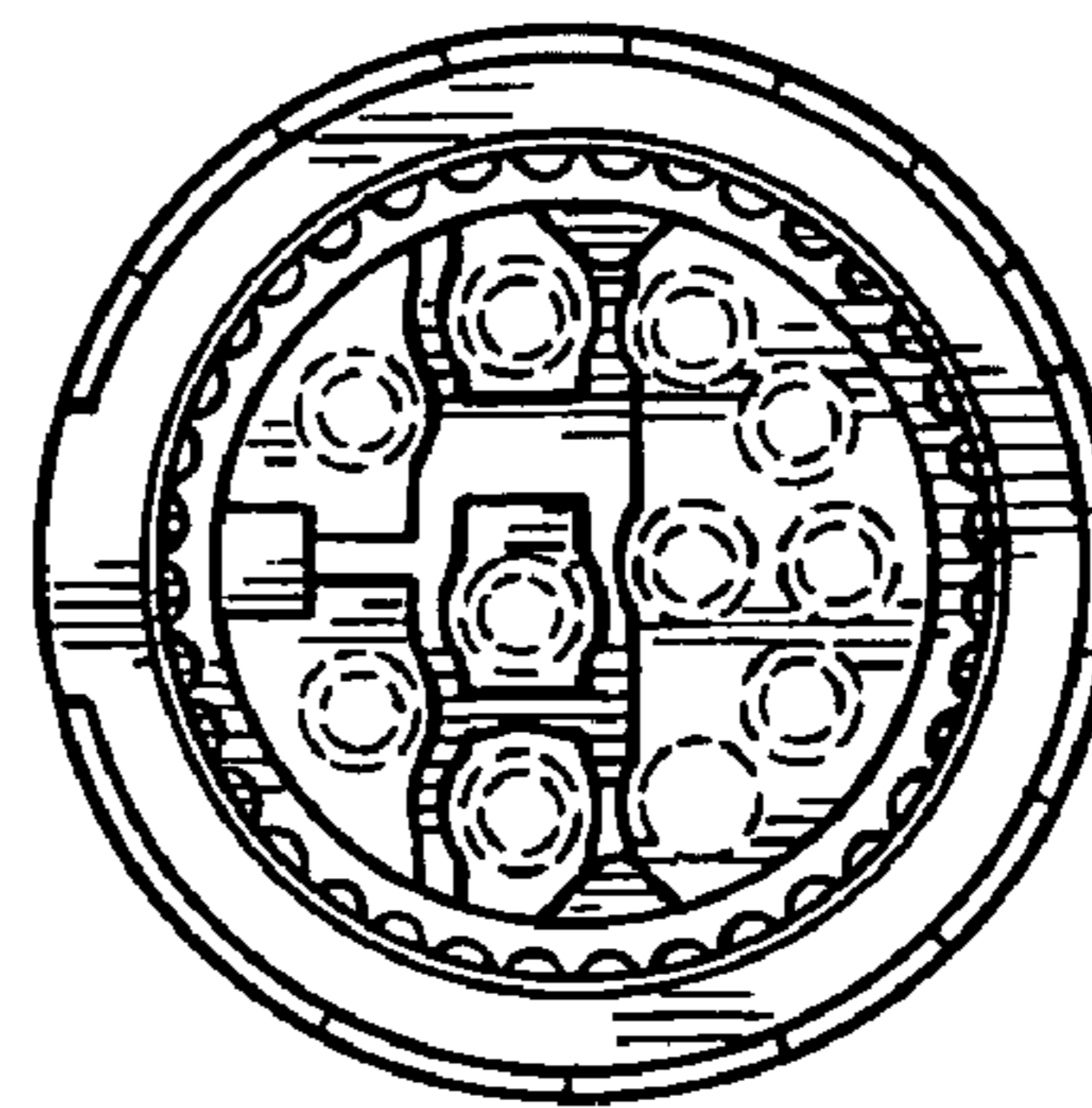


Fig. 6