



US00D599740S

(12) **United States Design Patent**  
**Guccione et al.**

(10) **Patent No.:** **US D599,740 S**

(45) **Date of Patent:** **\*\* Sep. 8, 2009**

(54) **ADAPTER FOR CHARGING DEVICE**

D588,543 S \* 3/2009 Kondo ..... D13/147  
D588,545 S \* 3/2009 Andre et al. .... D13/154

(75) Inventors: **Darren S. Guccione**, Wheaton, IL (US);  
**Craig B. Lurey**, El Dorado Hills, CA  
(US)

\* cited by examiner

*Primary Examiner*—Daniel D Bui

(73) Assignee: **Callpod, Inc.**, Chicago, IL (US)

(74) *Attorney, Agent, or Firm*—Levenfeld Pearlstein, LLC

(\*\*) Term: **14 Years**

(57) **CLAIM**

(21) Appl. No.: **29/282,960**

The ornamental design for an adapter for charging device, as shown and described.

(22) Filed: **Aug. 2, 2007**

**DESCRIPTION**

(51) **LOC (9) Cl.** ..... **13-03**

(52) **U.S. Cl.** ..... **D13/147**

(58) **Field of Classification Search** ..... D13/133,  
D13/146–147, 153, 154, 184; D21/324,  
D21/333, 385; 439/350, 352, 358, 578, 584,  
439/585, 607–610, 660, 677, 680, 682, 686  
See application file for complete search history.

FIG. 1 is a perspective view of an adapter for charging device showing our new design;

FIG. 2 is a top view thereof;

FIG. 3 is a bottom view thereof;

FIG. 4 is a front view thereof;

FIG. 5 is a rear view thereof; and,

FIG. 6 is a side view thereof as seen from the right-hand side of FIG. 4, the opposite side view being a mirror image thereof.

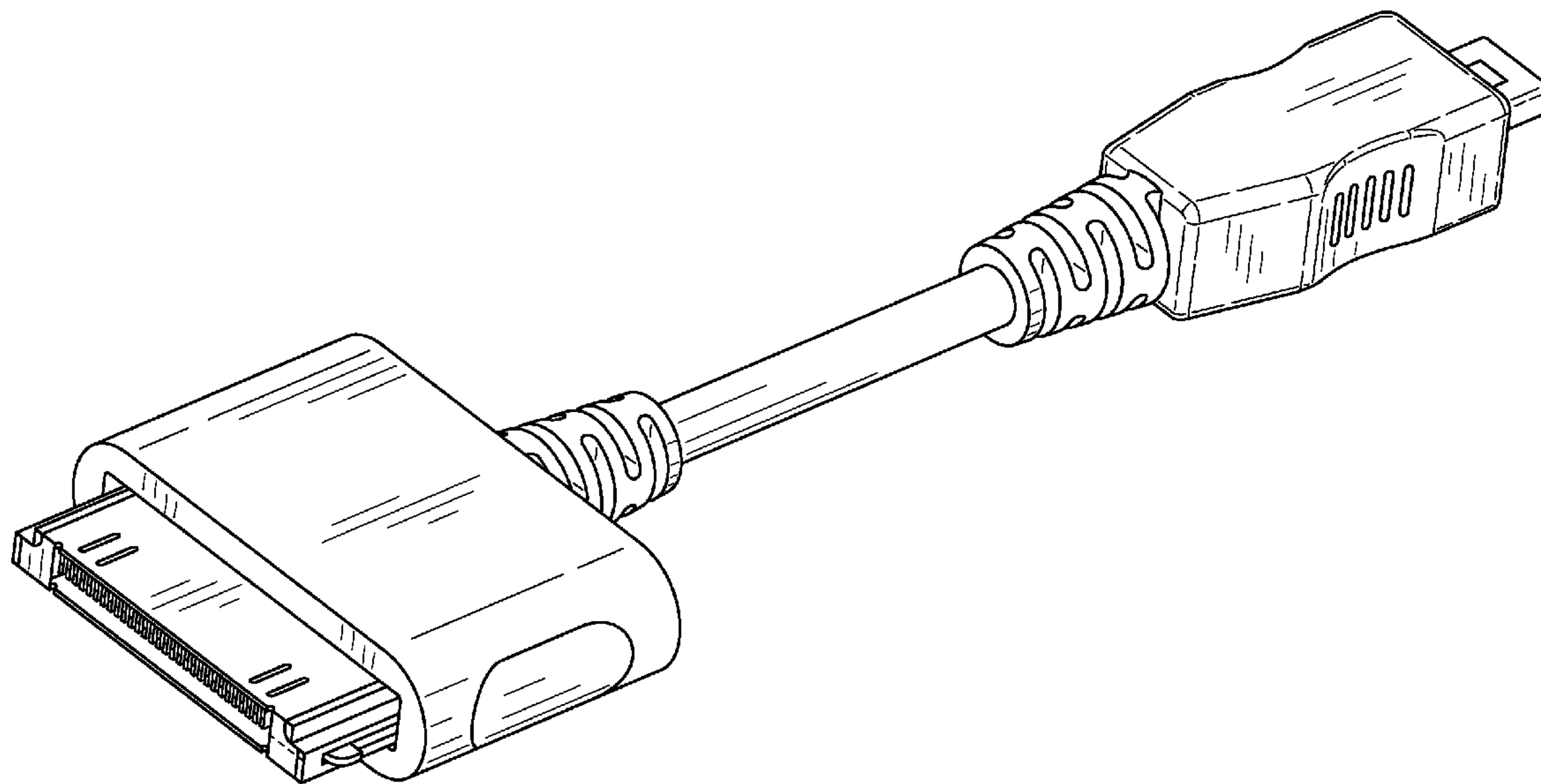
The broken line in drawing is included to show unclaimed subject matter only and forms no part of the claimed design.

(56) **References Cited**

**U.S. PATENT DOCUMENTS**

D442,553 S \* 5/2001 Urban et al. .... D13/153  
D531,127 S \* 10/2006 Zhong et al. .... D13/147  
D585,835 S \* 2/2009 Jaqua et al. .... D13/154  
D587,209 S \* 2/2009 Tsai et al. .... D13/147

**1 Claim, 3 Drawing Sheets**



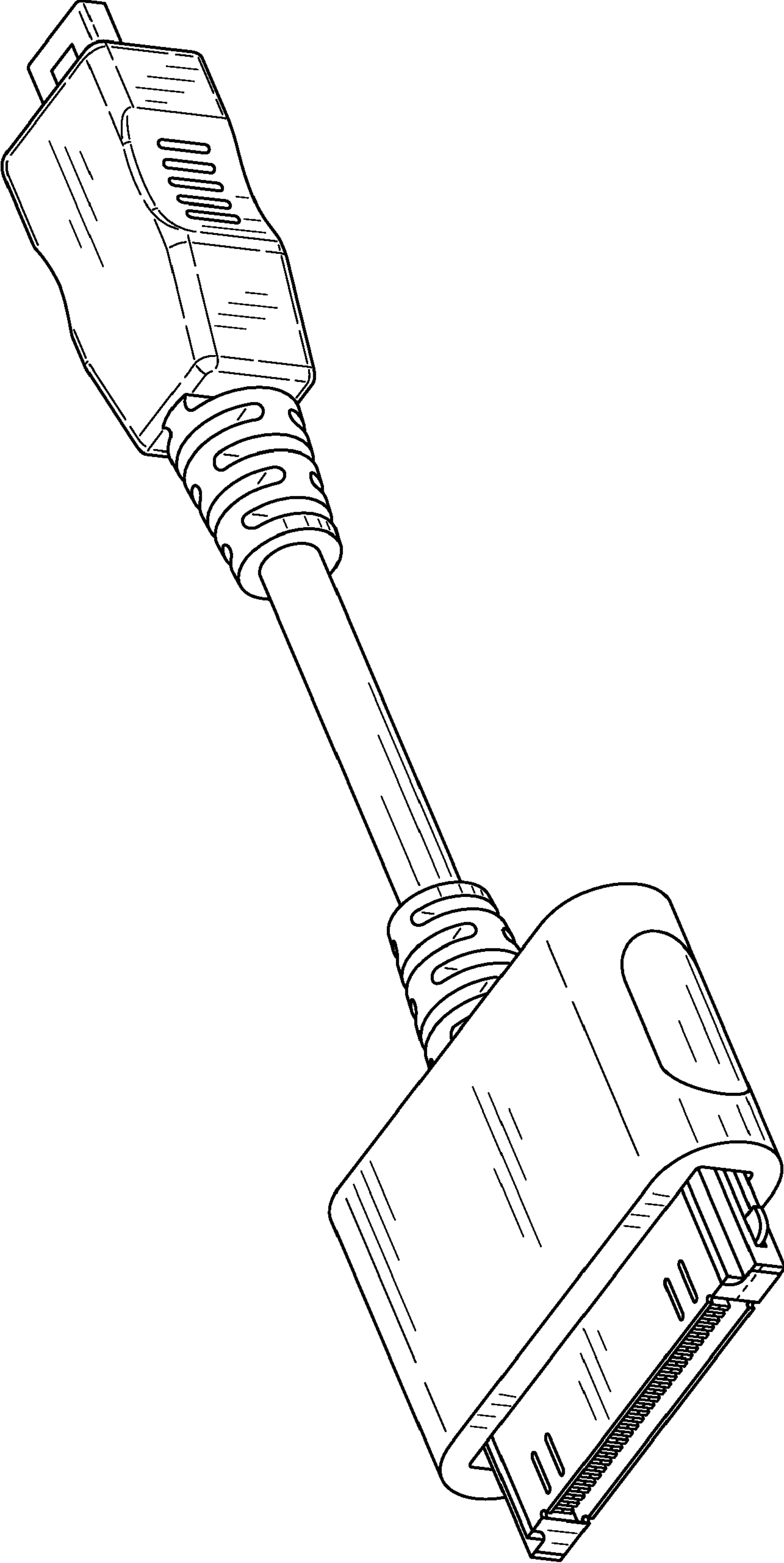


FIG. 1

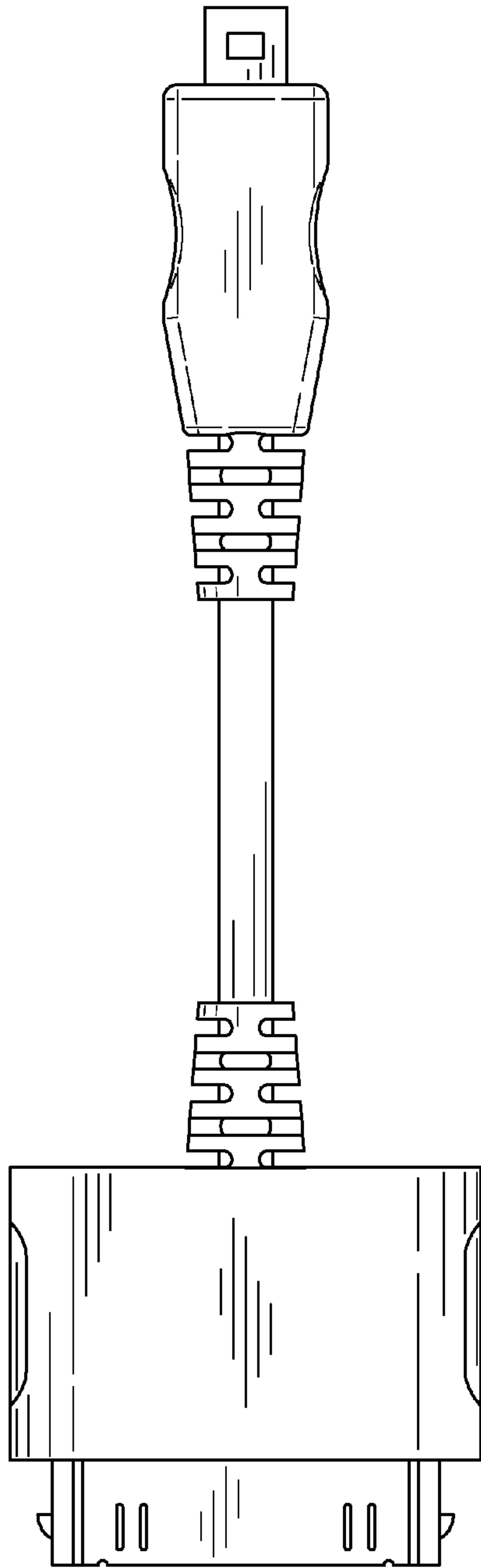


FIG. 2

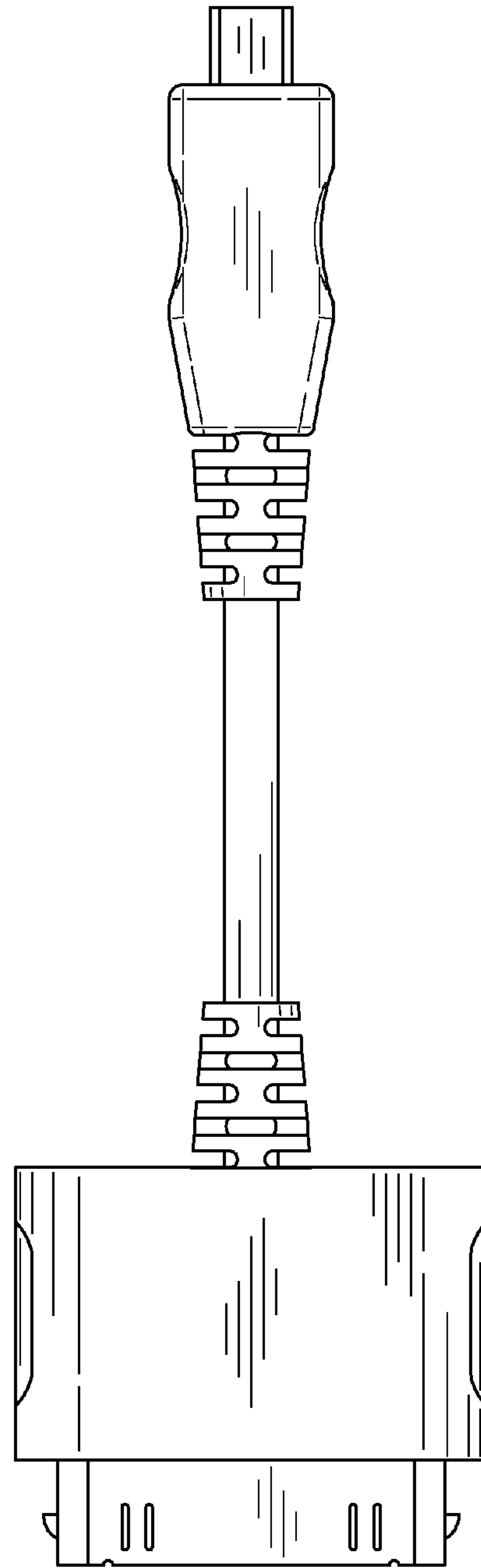


FIG. 3

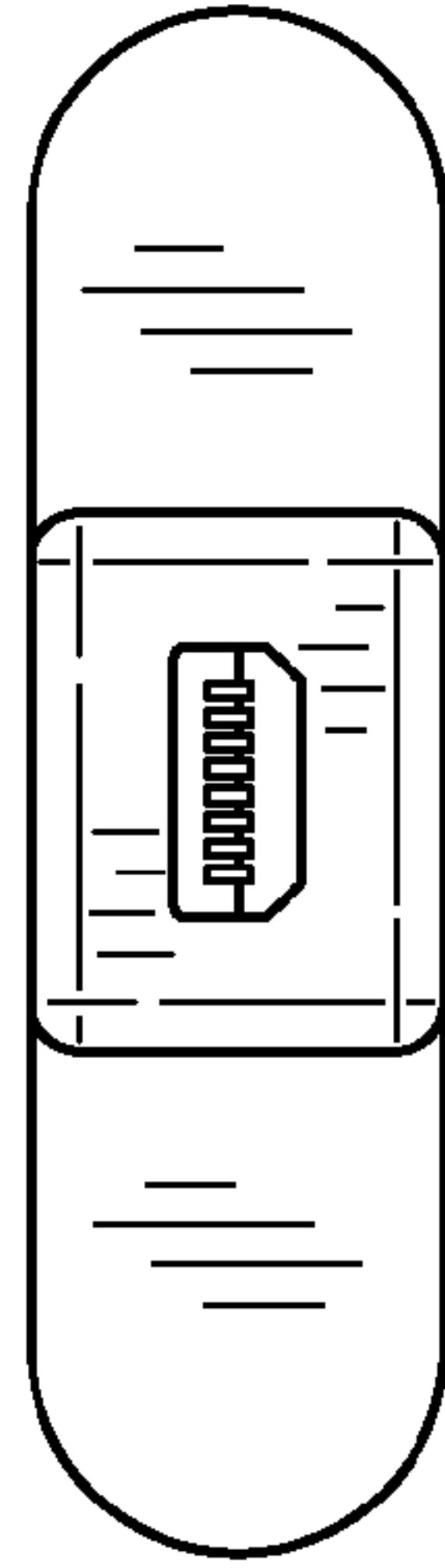


FIG. 4

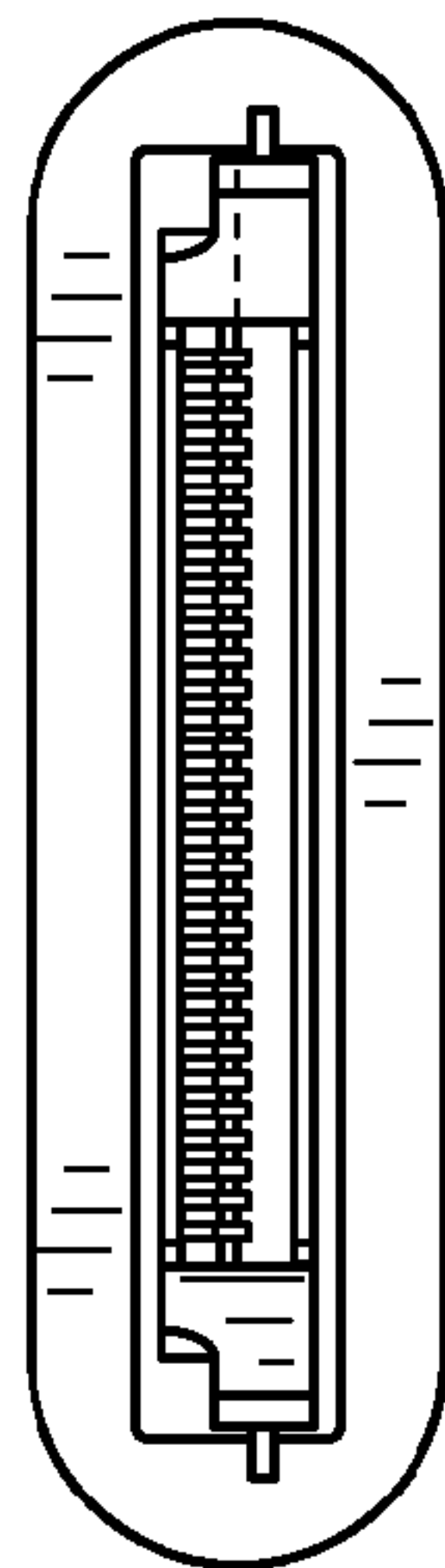


FIG. 5

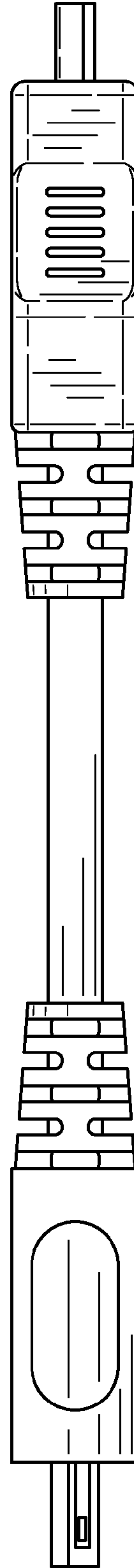


FIG. 6