



US00D599735S

(12) **United States Design Patent**
Amidei et al.

(10) **Patent No.:** **US D599,735 S**
(45) **Date of Patent:** **** Sep. 8, 2009**

(54) **BATTERY CHARGER**

(75) Inventors: **Tony Amidei**, Novi, MI (US); **Robert T. McCulloch**, Macomb, MI (US)

(73) Assignee: **HPNA LLC**, Commerce Township, MI (US)

(**) Term: **14 Years**

(21) Appl. No.: **29/330,346**

(22) Filed: **Jan. 6, 2009**

(51) **LOC (9) Cl.** **13-02**

(52) **U.S. Cl.** **D13/107**

(58) **Field of Classification Search** D13/102,
D13/107-110, 118-119, 184; D14/251,
D14/253, 432, 434; 320/107-115
See application file for complete search history.

(56) **References Cited**

U.S. PATENT DOCUMENTS

D306,594 S *	3/1990	Taylor	D14/253
D385,888 S *	11/1997	Beutler et al.	D14/253
D408,418 S *	4/1999	Pescetto et al.	D14/253
D445,975 S *	7/2001	Stratford	D32/31
D466,511 S *	12/2002	Croley et al.	D14/434
D471,907 S *	3/2003	Peiker	D14/253

D472,896 S *	4/2003	Peiker	D14/253
D532,370 S *	11/2006	Shimizu	D13/108
D534,862 S *	1/2007	Aguilar	D13/108
D555,589 S *	11/2007	Hussaini et al.	D13/108

* cited by examiner

Primary Examiner—Jennifer Rivard

Assistant Examiner—Rosemary K Tarcza

(74) *Attorney, Agent, or Firm*—Brooks Kushman P.C.

(57) **CLAIM**

The ornamental design for a battery charger, as shown and described.

DESCRIPTION

FIG. 1 is a perspective view of a battery charger incorporating our new design;

FIG. 2 is a right side elevational view thereof;

FIG. 3 is a left side elevational view thereof;

FIG. 4 is a top plan view thereof;

FIG. 5 is a bottom plan view thereof;

FIG. 6 is a front elevational view thereof; and,

FIG. 7 is a rear elevational view thereof.

1 Claim, 4 Drawing Sheets

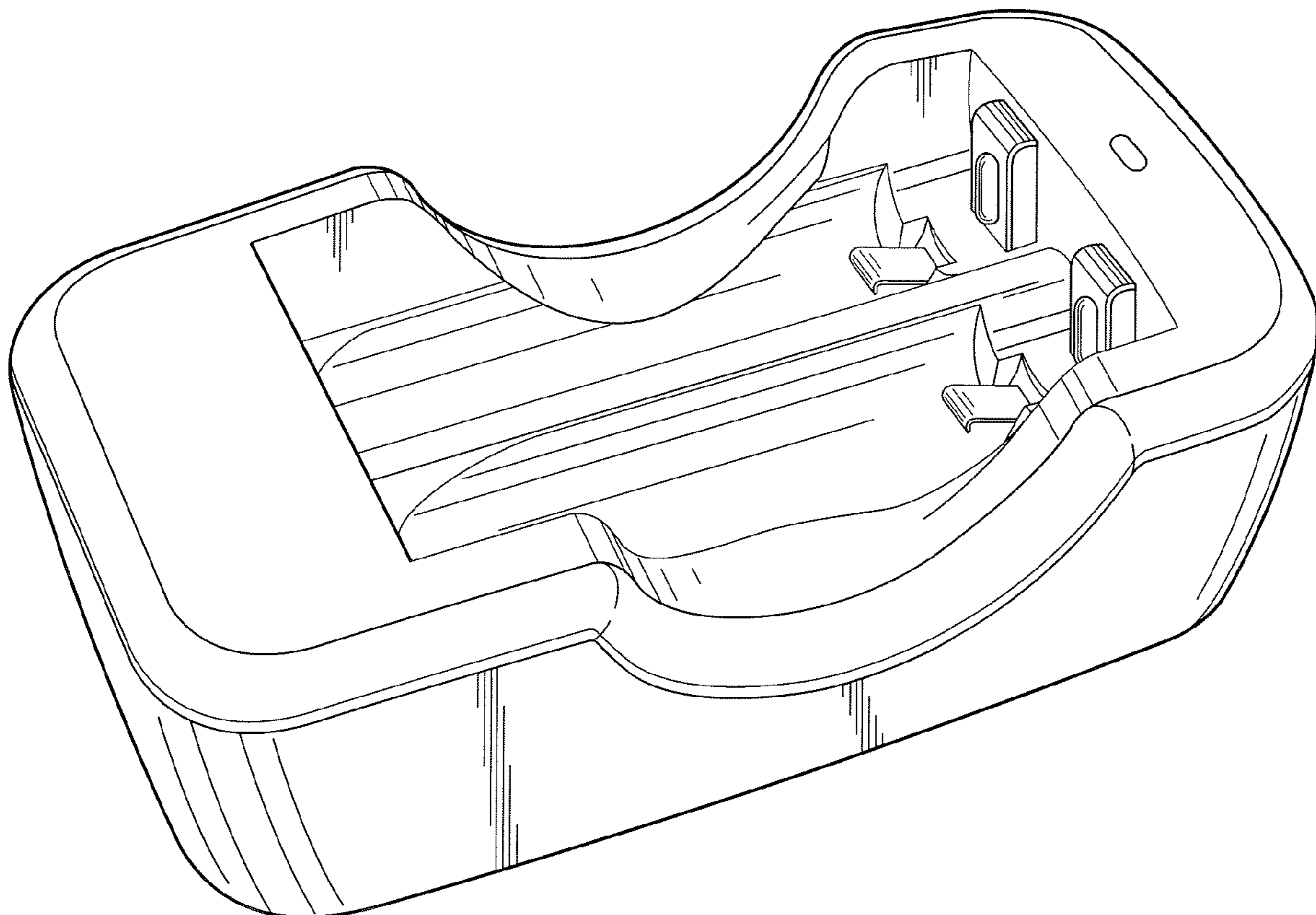


FIG. 1

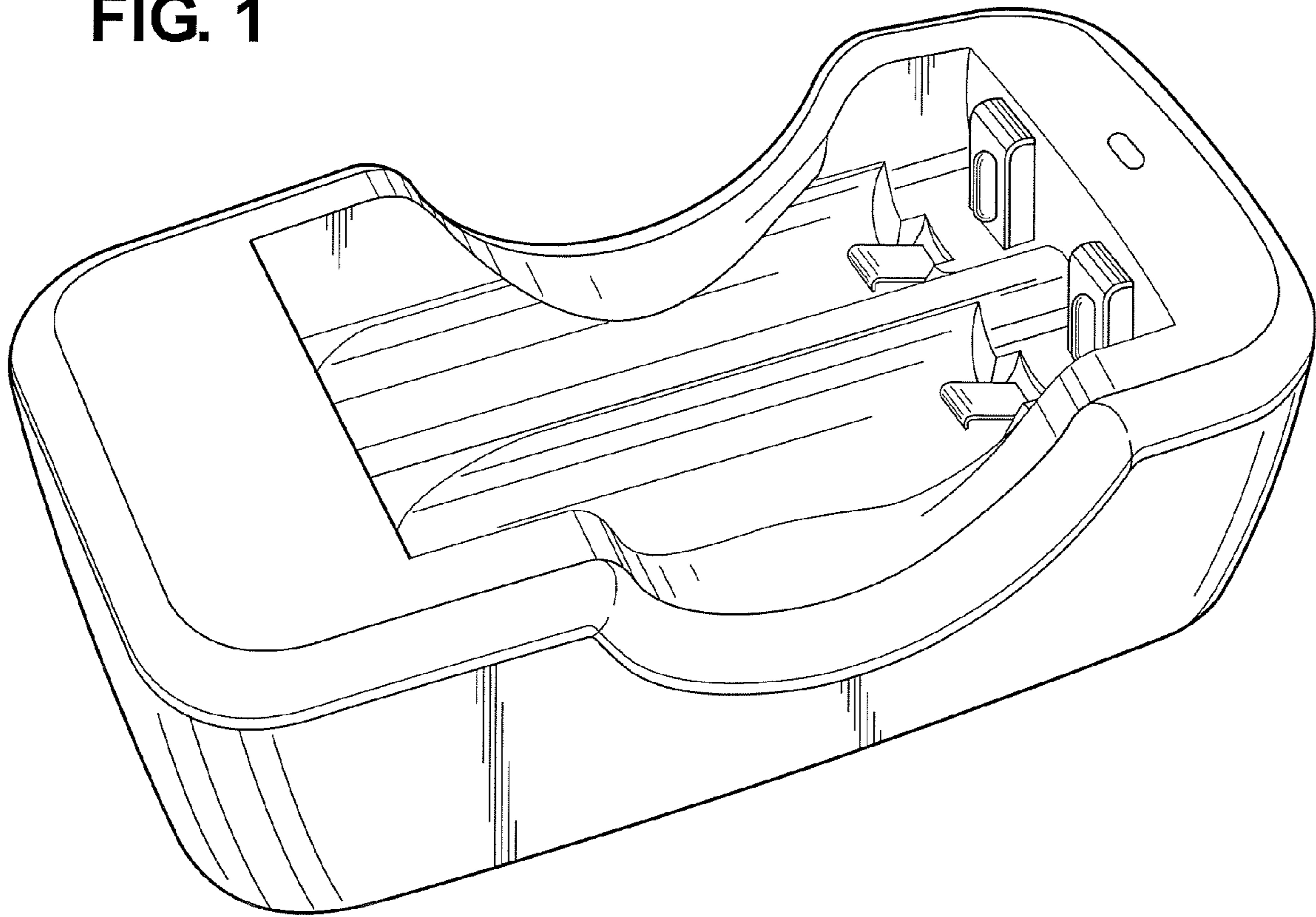


FIG. 2

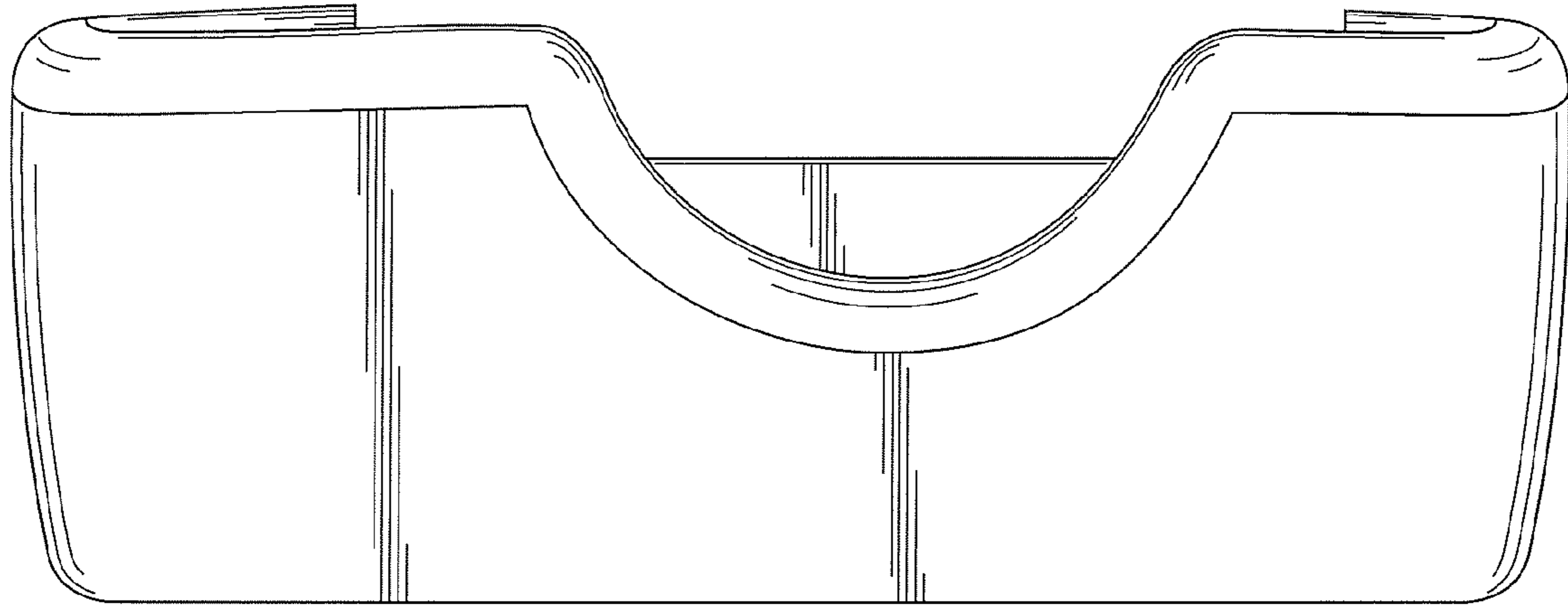
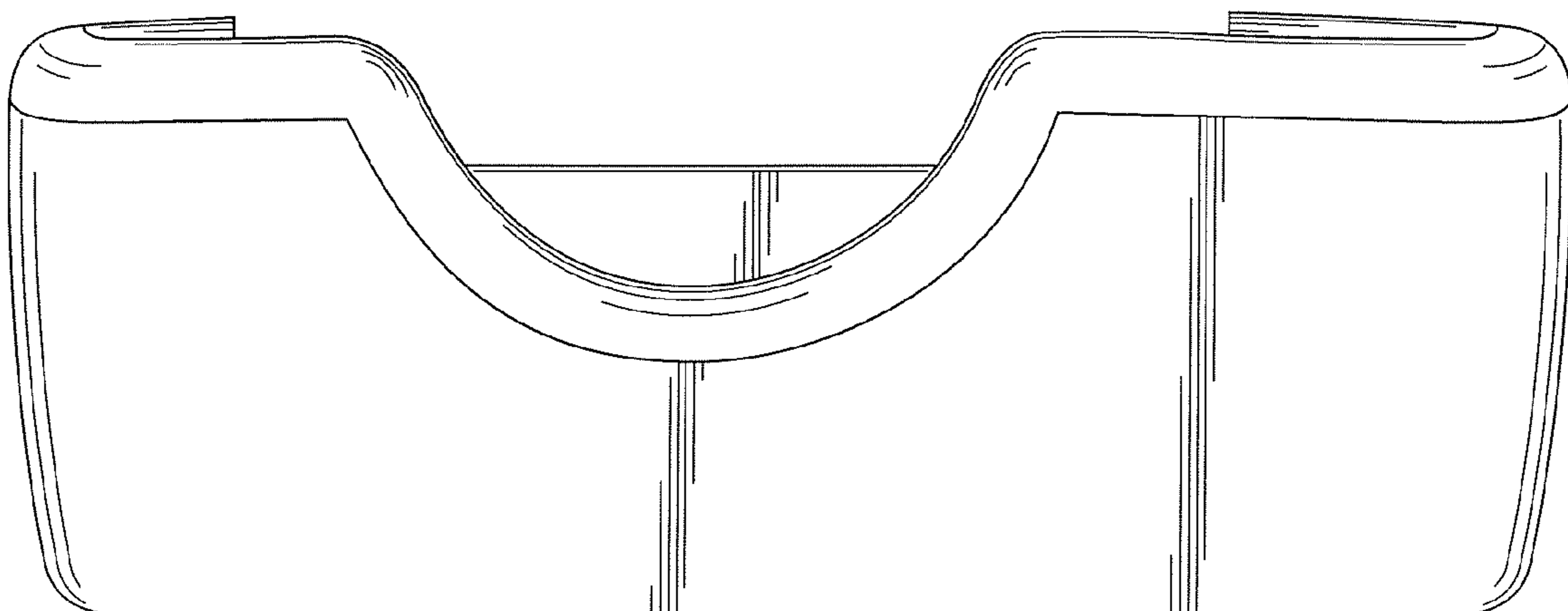


FIG. 3



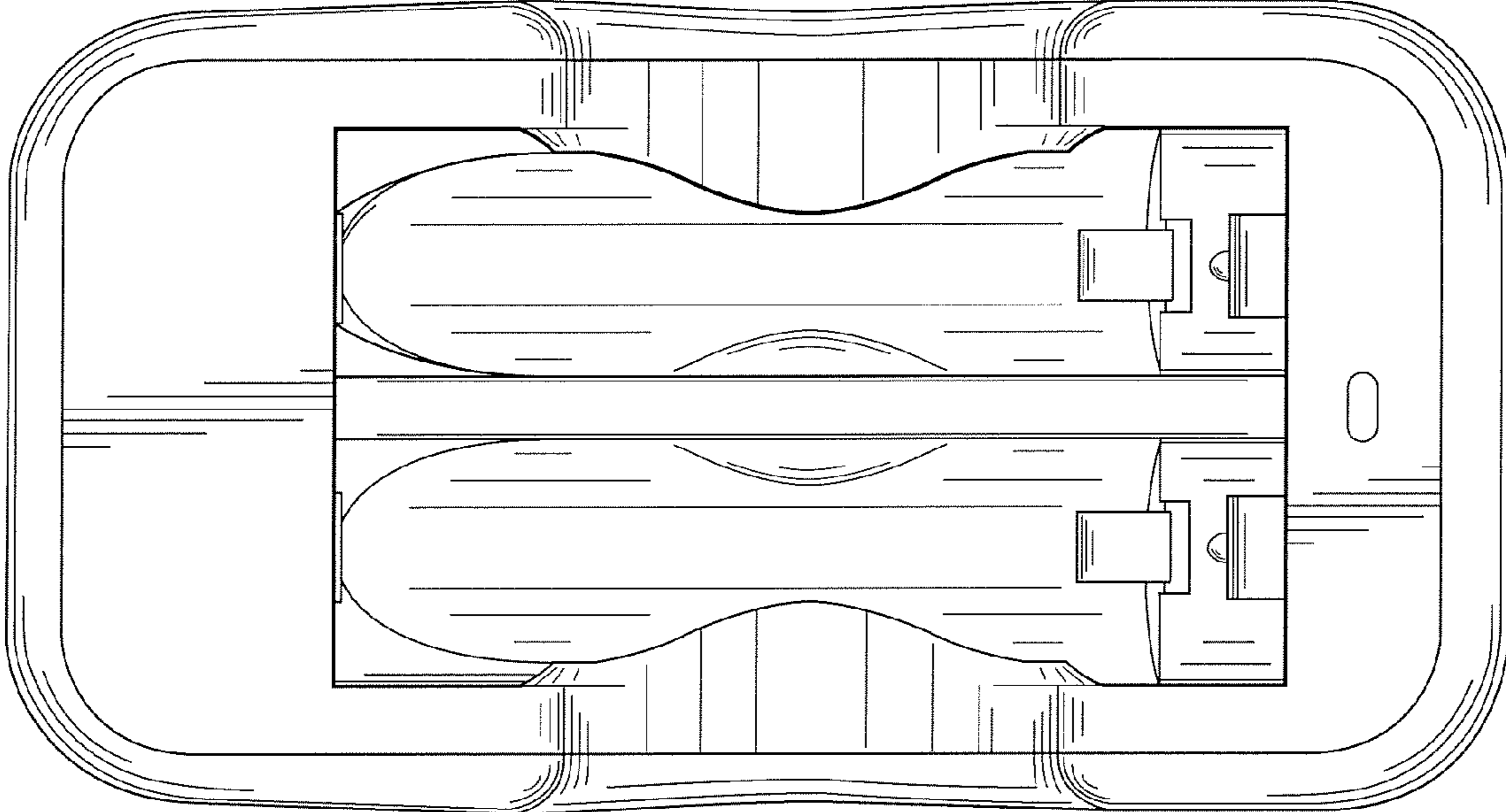


FIG. 4

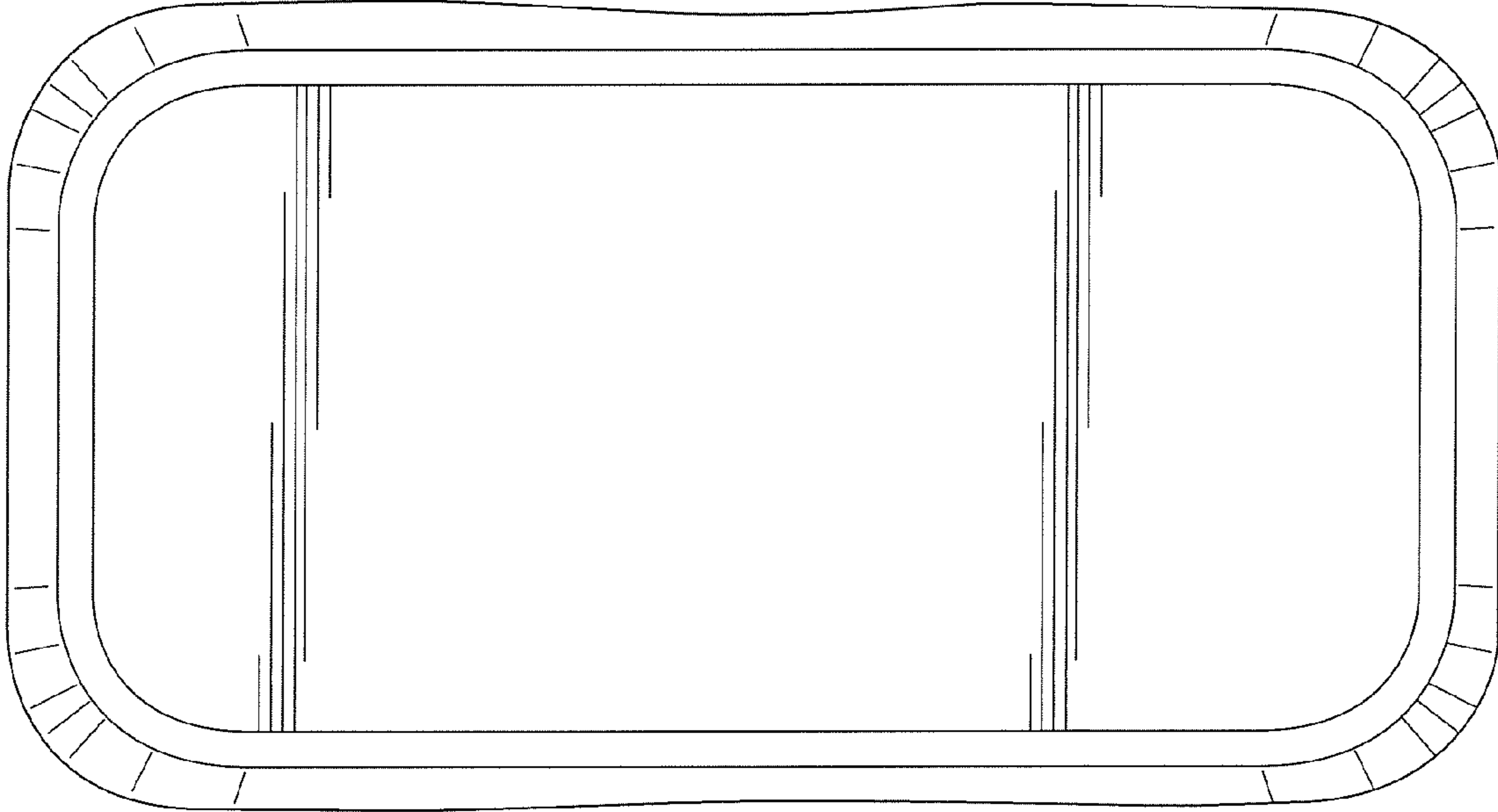


FIG. 5

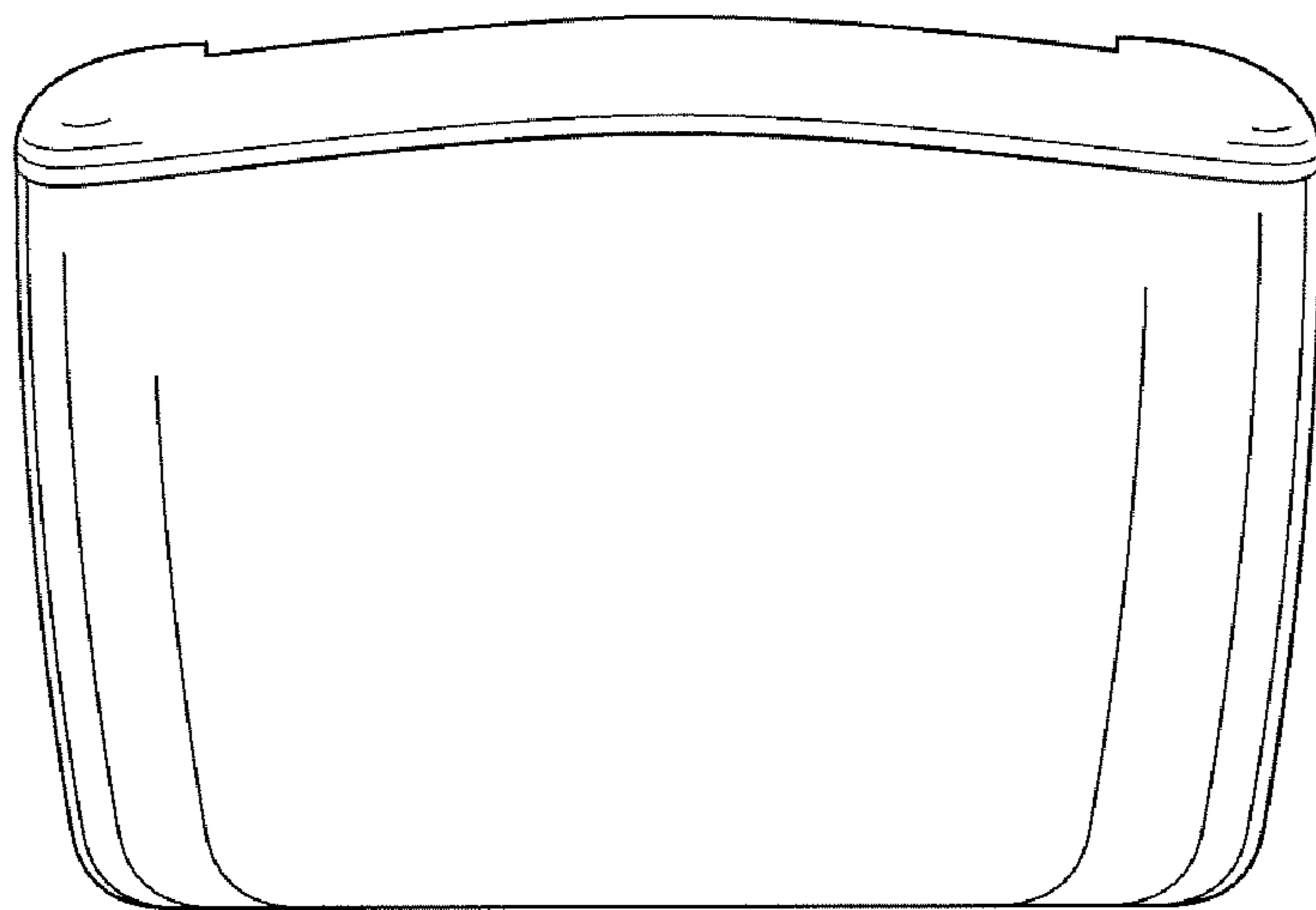


FIG. 6

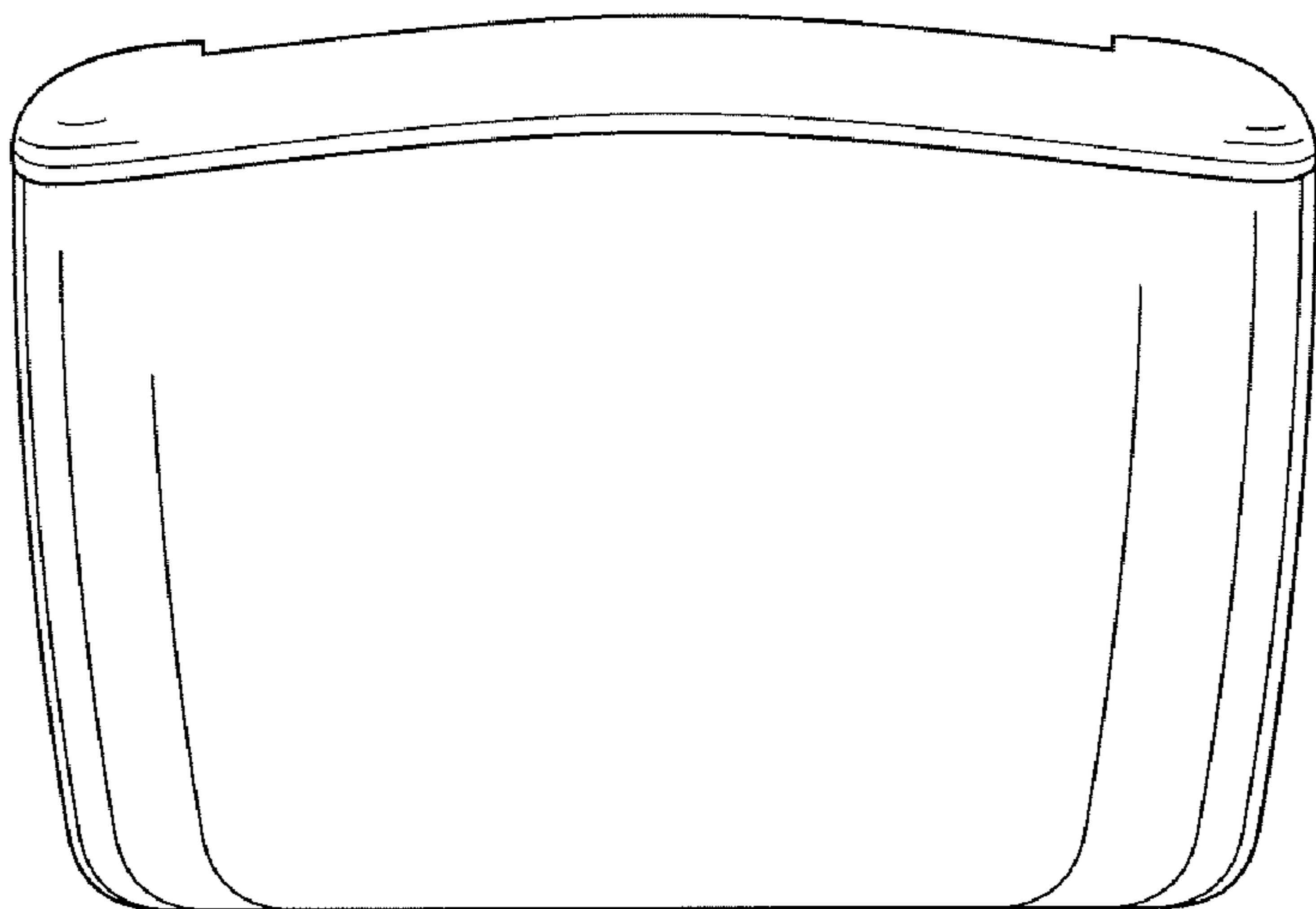


FIG. 7