

US00D599734S

(12) **United States Design Patent**
Erasmus

(10) **Patent No.:** **US D599,734 S**

(45) **Date of Patent:** **** Sep. 8, 2009**

(54) **SOLAR HEATING APPARATUS**

D474,444 S * 5/2003 Elgner D13/102

(76) Inventor: **Hendrik Coenraad Erasmus**, 785 Fry
Street, Waverley, Pretoria, Gauteng
Province (ZA)

* cited by examiner

Primary Examiner—Prabhakar Deshmukh

Assistant Examiner—Derrick Holland

(74) *Attorney, Agent, or Firm*—Kramer Levin Naftalis &
Frankel LLP

(**) Term: **14 Years**

(21) Appl. No.: **29/313,145**

(57) **CLAIM**

(22) Filed: **Dec. 10, 2008**

The ornamental design for solar heating apparatus, as shown
and described.

(51) **LOC (9) Cl.** **13-02**

(52) **U.S. Cl.** **D13/102**

(58) **Field of Classification Search** D13/102,
D13/199; D23/314, 322; 126/569, 584,
126/585, 609, 611, 612, 617, 622; 136/243,
136/246, 248

See application file for complete search history.

DESCRIPTION

FIG. 1 is a top perspective view of a solar heating apparatus
showing my new design;

FIG. 2 is a top plan view thereof;

FIG. 3 is a bottom view thereof;

FIG. 4 is a side elevational view thereof;

FIG. 5 is an end elevational view thereof; and,

FIG. 6 is an exploded top perspective view thereof.

The subject matter shown in broken lines is for environmental
purposes only and forms no part of the claimed design.

(56) **References Cited**

U.S. PATENT DOCUMENTS

D244,607	S *	6/1977	Riley	D13/102
4,069,812	A *	1/1978	O'Neill	136/246
D312,069	S *	11/1990	Williamson et al.	D13/102
5,255,666	A *	10/1993	Curchod	126/569
6,354,289	B1 *	3/2002	Ridett	126/622

1 Claim, 4 Drawing Sheets

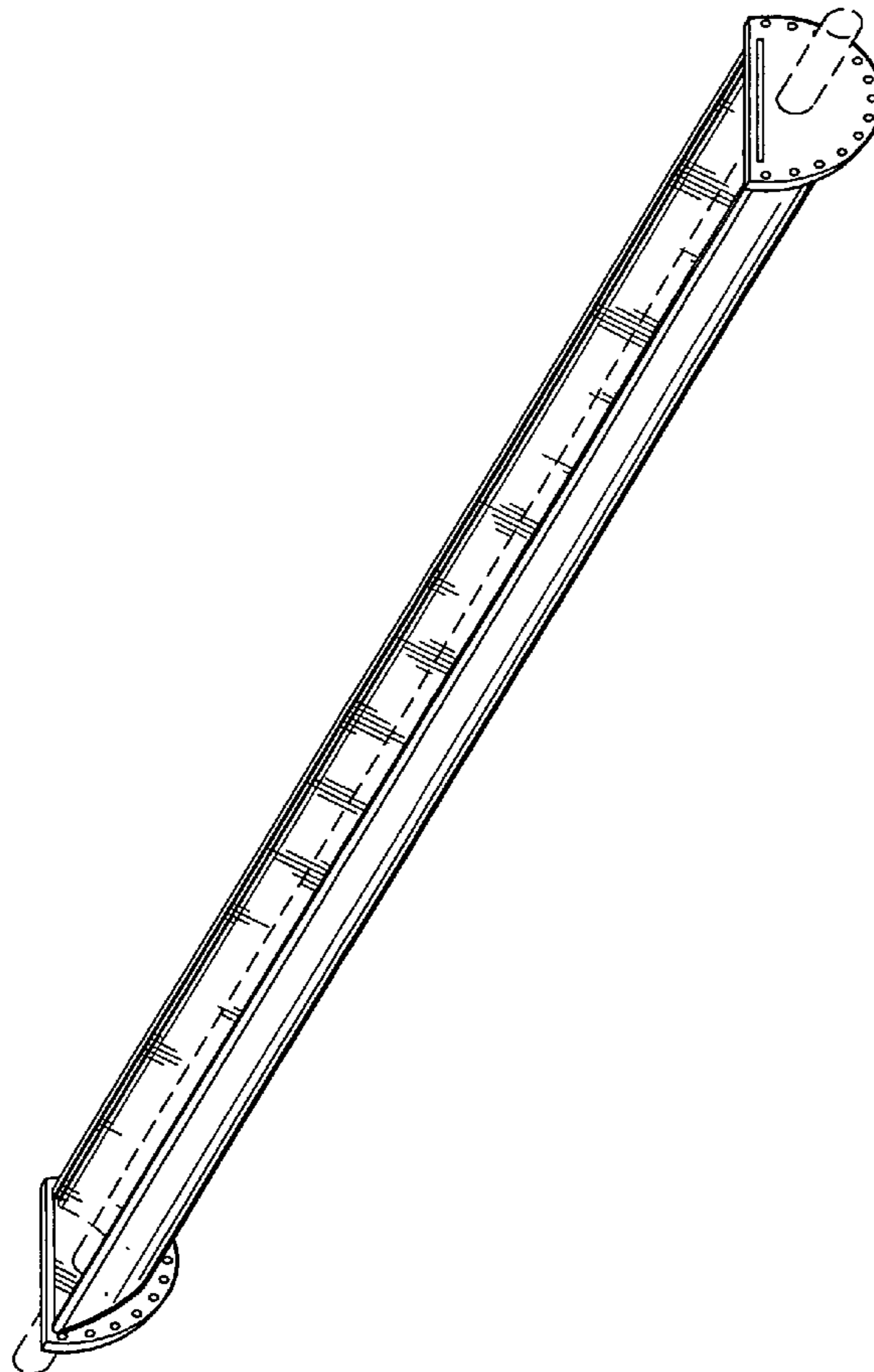


FIG. 1

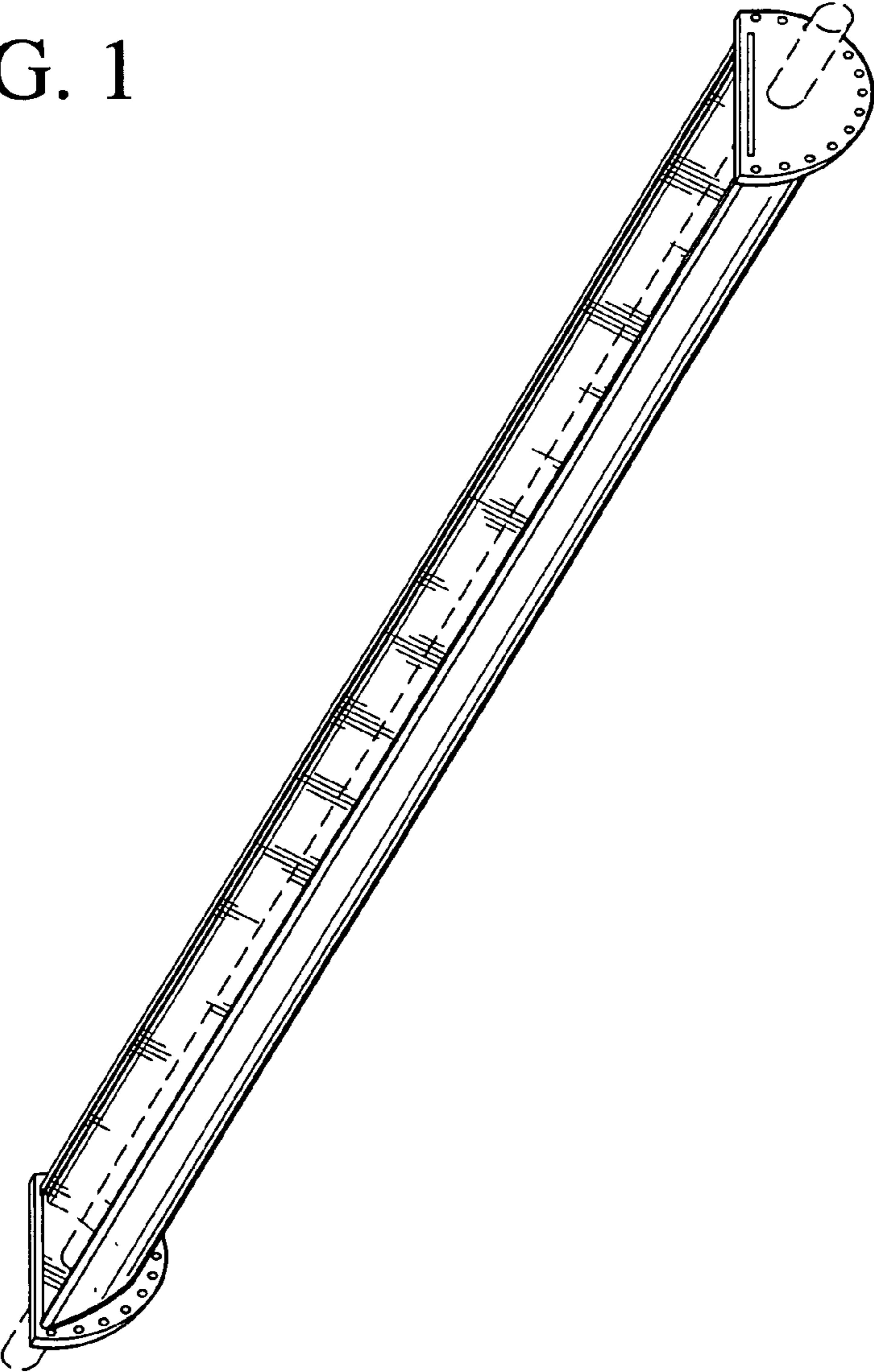


FIG. 2

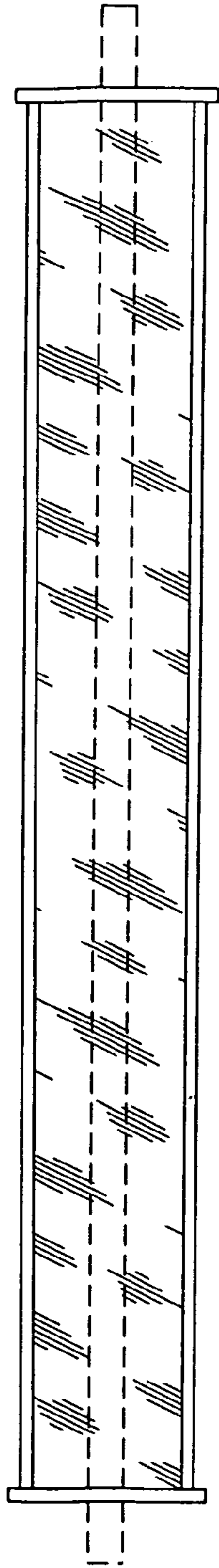


FIG. 3

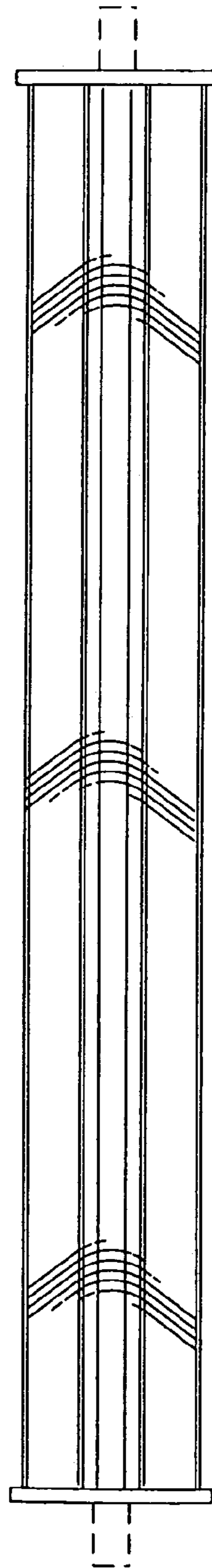


FIG. 4

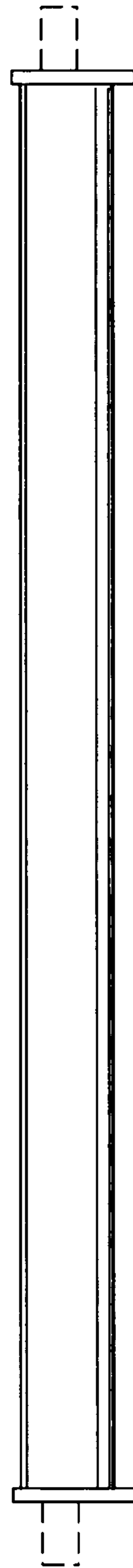


FIG. 5

