



US00D599733S

(12) **United States Design Patent**
Mizuta et al.

(10) **Patent No.:** **US D599,733 S**

(45) **Date of Patent:** **** Sep. 8, 2009**

(54) **LIGHT WITH SOLAR-CELL**

D391,921 S * 3/1998 Zimmer et al. D13/102

(75) Inventors: **Kazuhisa Mizuta**, Osaka (JP); **Shinji Oda**, Osaka (JP); **Seiichi Kawakami**, Osaka (JP)

* cited by examiner

Primary Examiner—Prabhakar Deshmukh

Assistant Examiner—Derrick Holland

(73) Assignee: **Sanyo Electric Co., Ltd.**, Osaka (JP)

(74) *Attorney, Agent, or Firm*—Rabin & Berdo, PC

(**) Term: **14 Years**

(57) **CLAIM**

(21) Appl. No.: **29/311,144**

The ornamental design for a light with solar-cell, as shown and described.

(22) Filed: **Dec. 31, 2008**

DESCRIPTION

(30) **Foreign Application Priority Data**

Jul. 29, 2008 (JP) 2008-019403

FIG. 1 is a perspective view of a light with solar-cell showing our new design;

FIG. 2 is a front elevation view thereof;

(51) **LOC (9) Cl.** **13-02**

FIG. 3 is a rear elevation view thereof, showing a translucent part with oblique lines;

(52) **U.S. Cl.** **D13/102**

FIG. 4 is a right side view thereof, showing a translucent part with oblique lines;

(58) **Field of Classification Search** D13/102,
D13/108, 184, 199; D26/37, 41; 136/206,
136/243, 244, 245, 251, 252; 320/101; 362/266,
362/311.01

FIG. 5 is a left side view thereof;

FIG. 6 is a top plan view thereof;

See application file for complete search history.

FIG. 7 is a bottom plan view thereof;

FIG. 8 is a rear perspective view thereof, showing a translucent part with oblique lines and with a cover in an open condition; and,

(56) **References Cited**

U.S. PATENT DOCUMENTS

D240,630 S * 7/1976 Matsutani D13/102
D280,234 S * 8/1985 Takeuchi et al. D13/102
D311,255 S * 10/1990 Spotts D26/67

FIG. 9 is a cross-sectional view taken along line 9—9 of FIG. 2 showing no illustration of the inside mechanism.

1 Claim, 6 Drawing Sheets

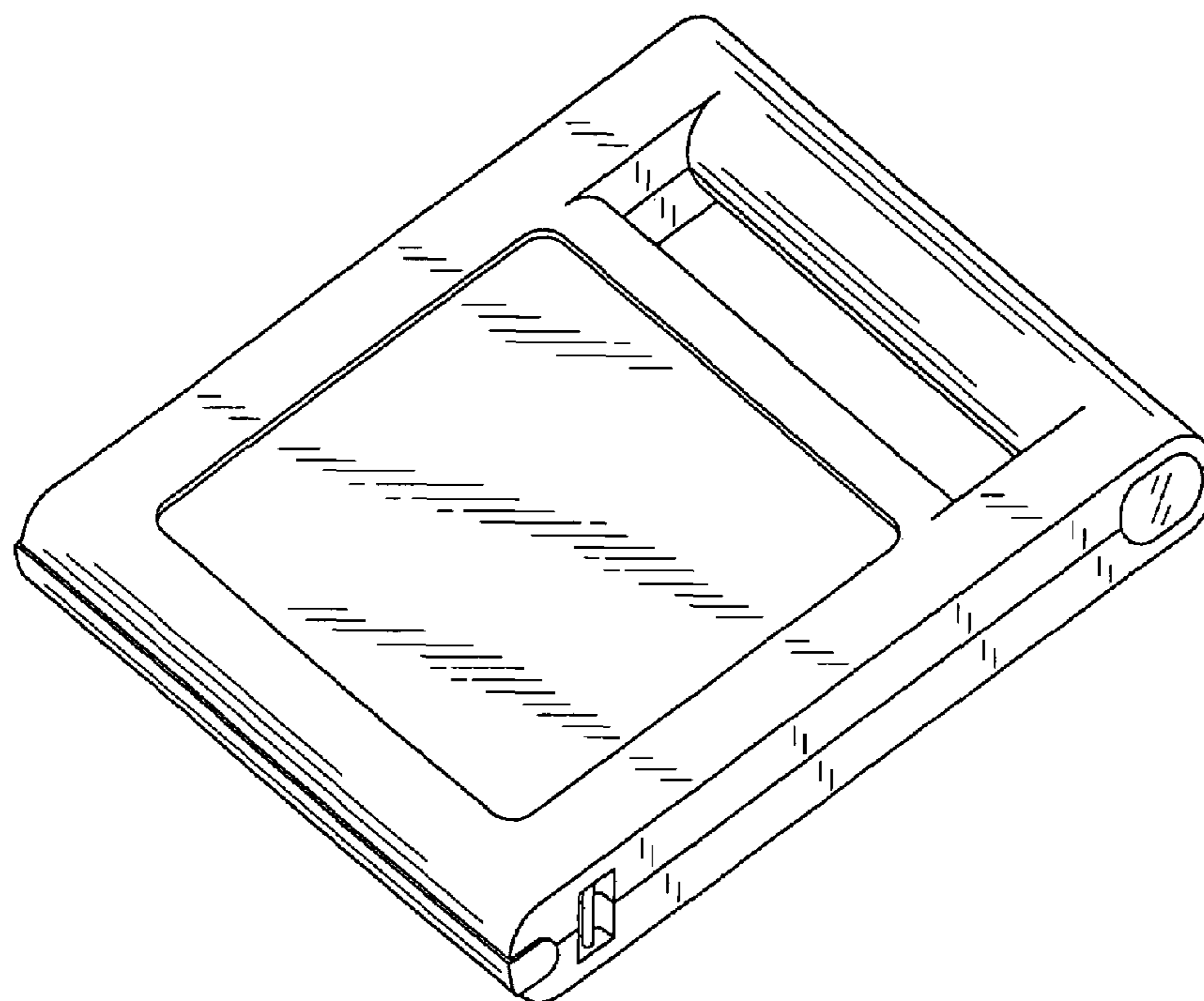


FIG. 1

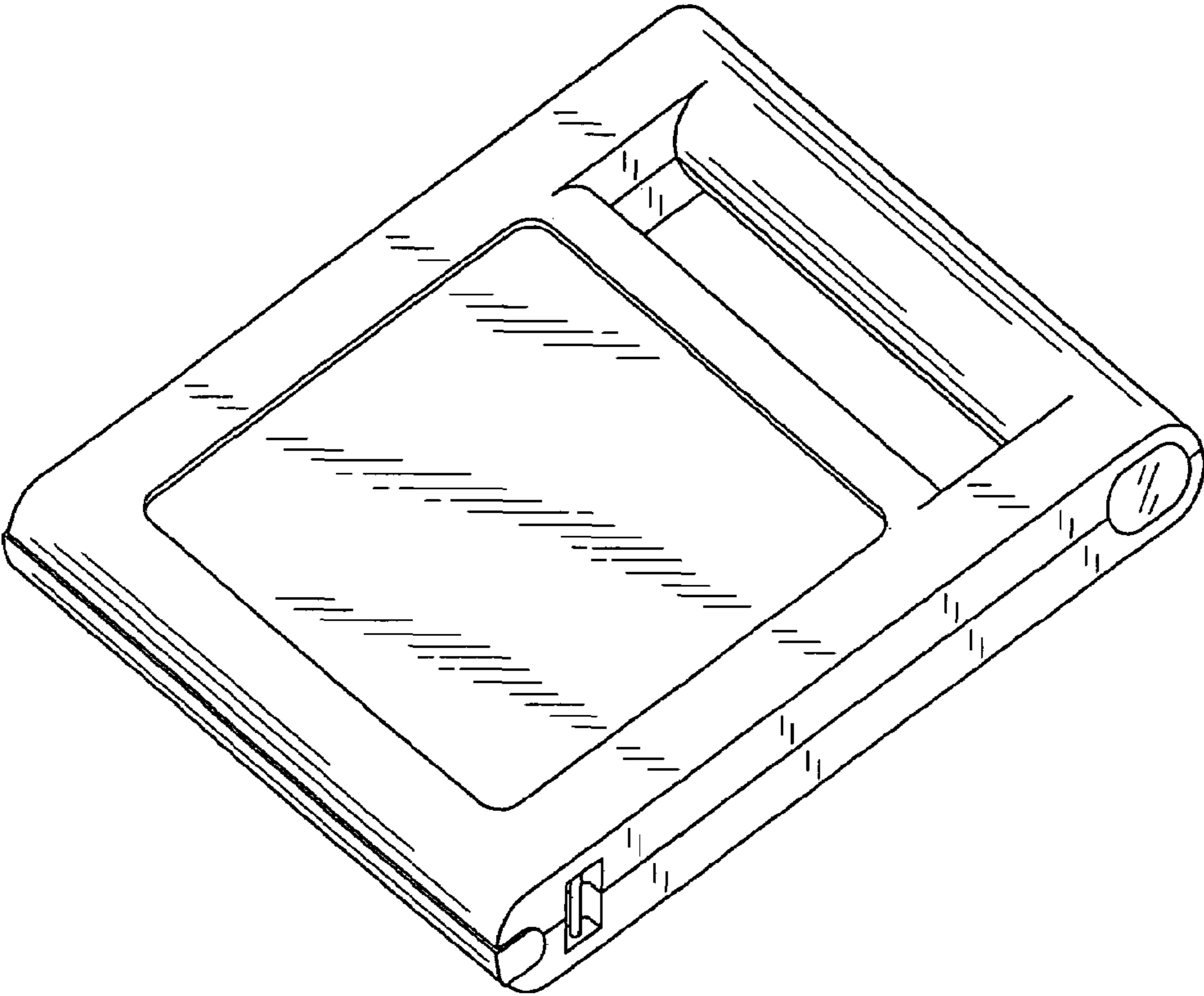


FIG. 2

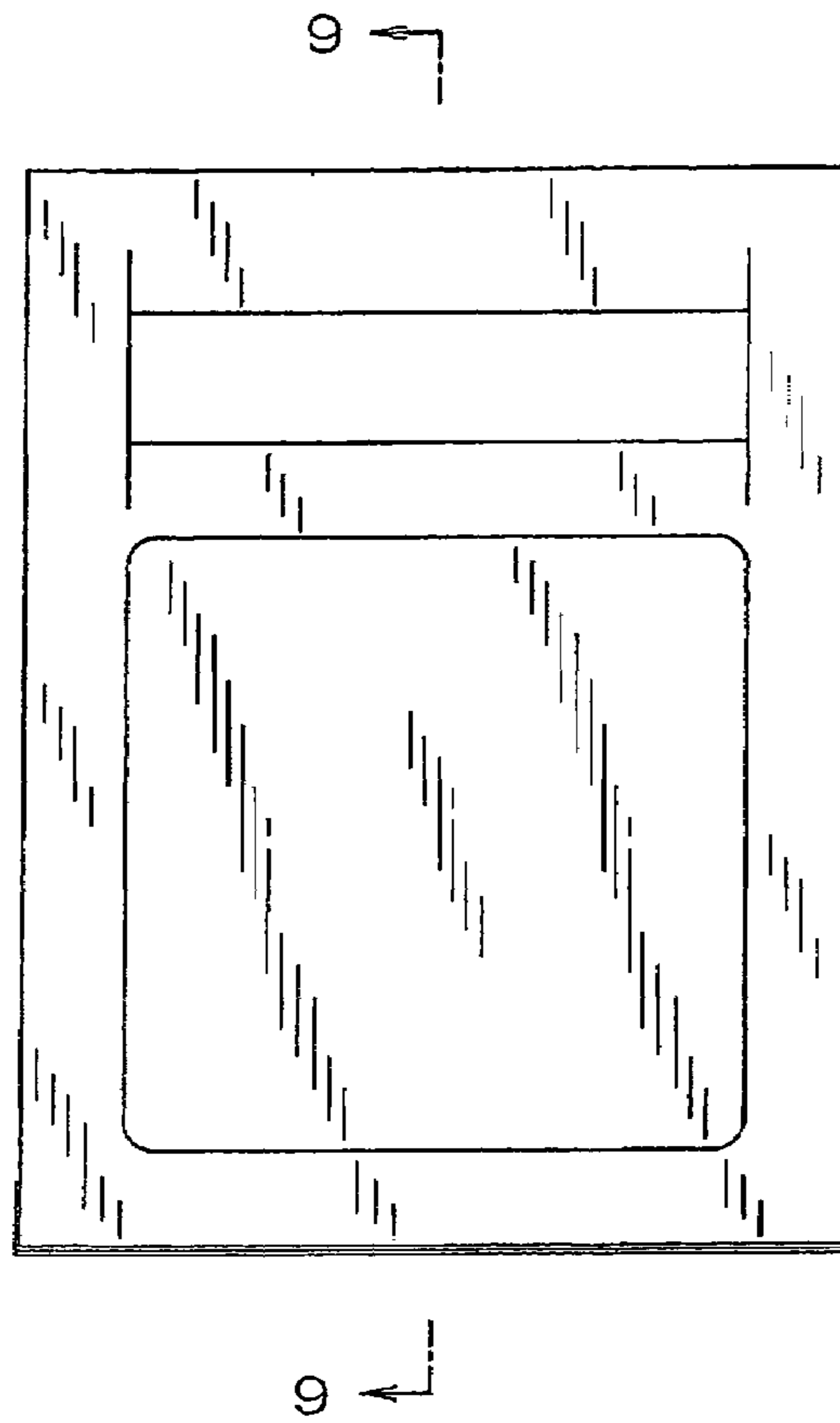


FIG. 3

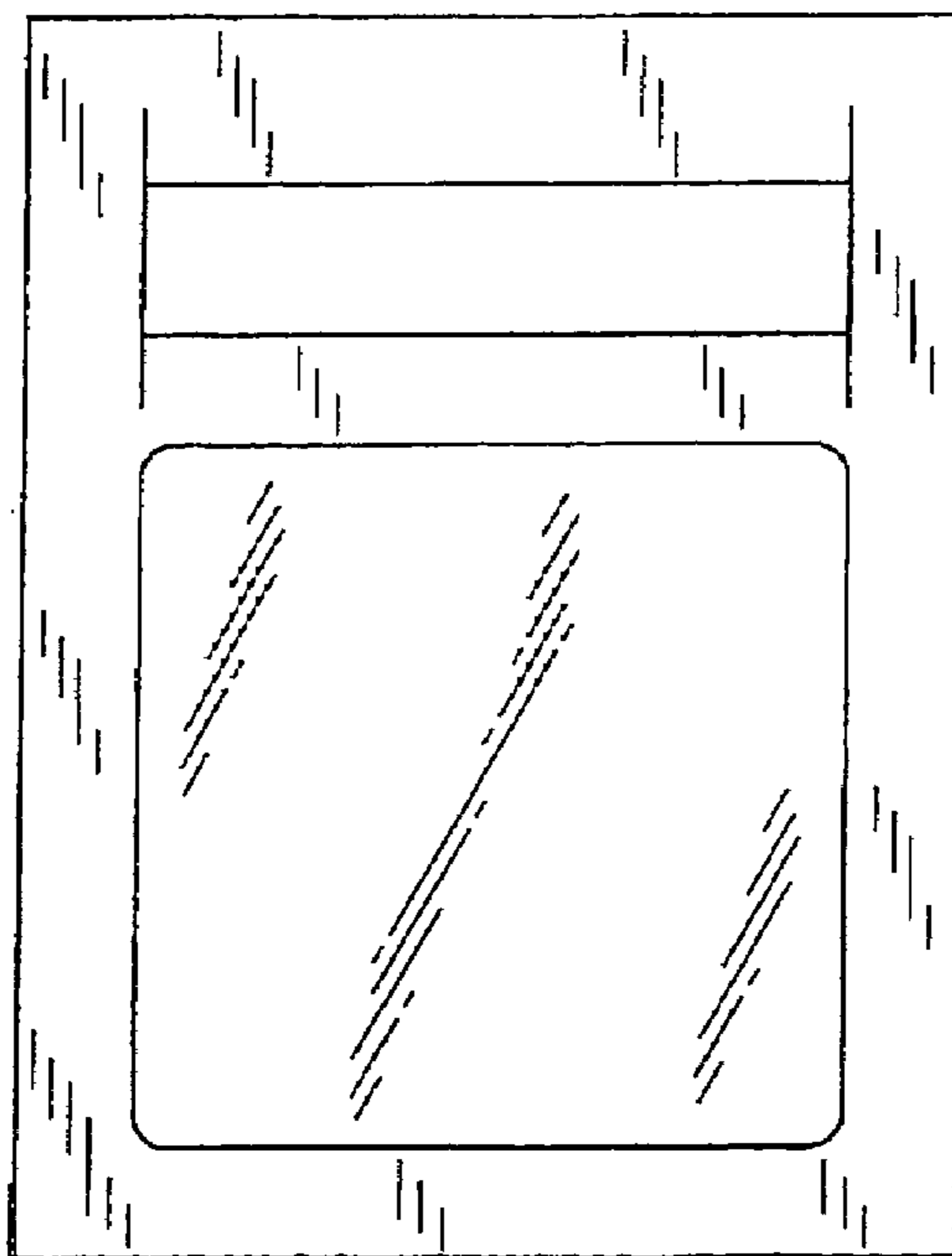


FIG. 4

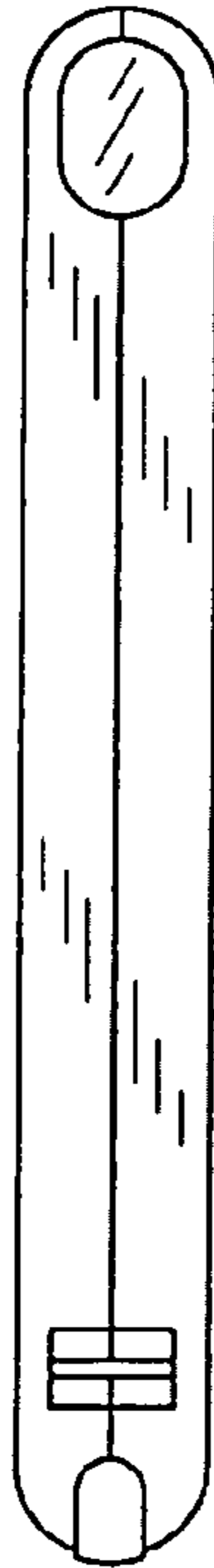


FIG. 5

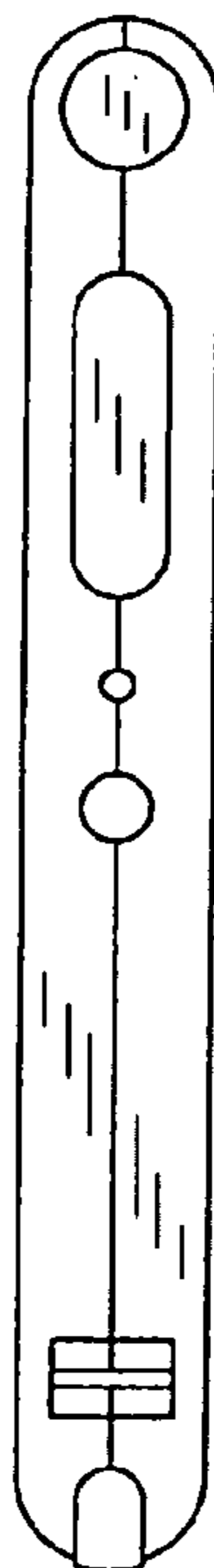


FIG. 6

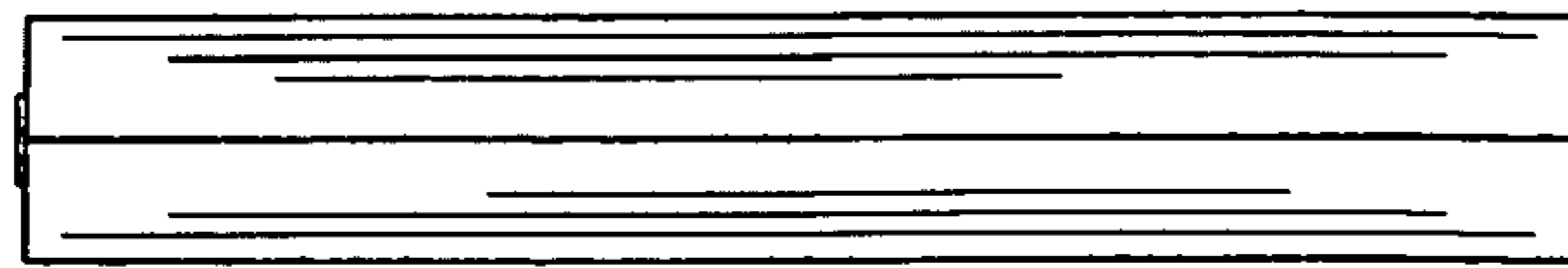


FIG. 7

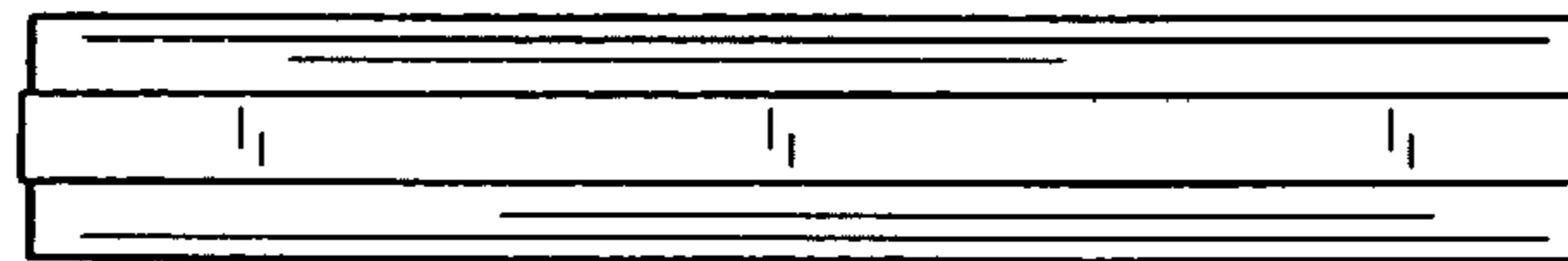


FIG. 8

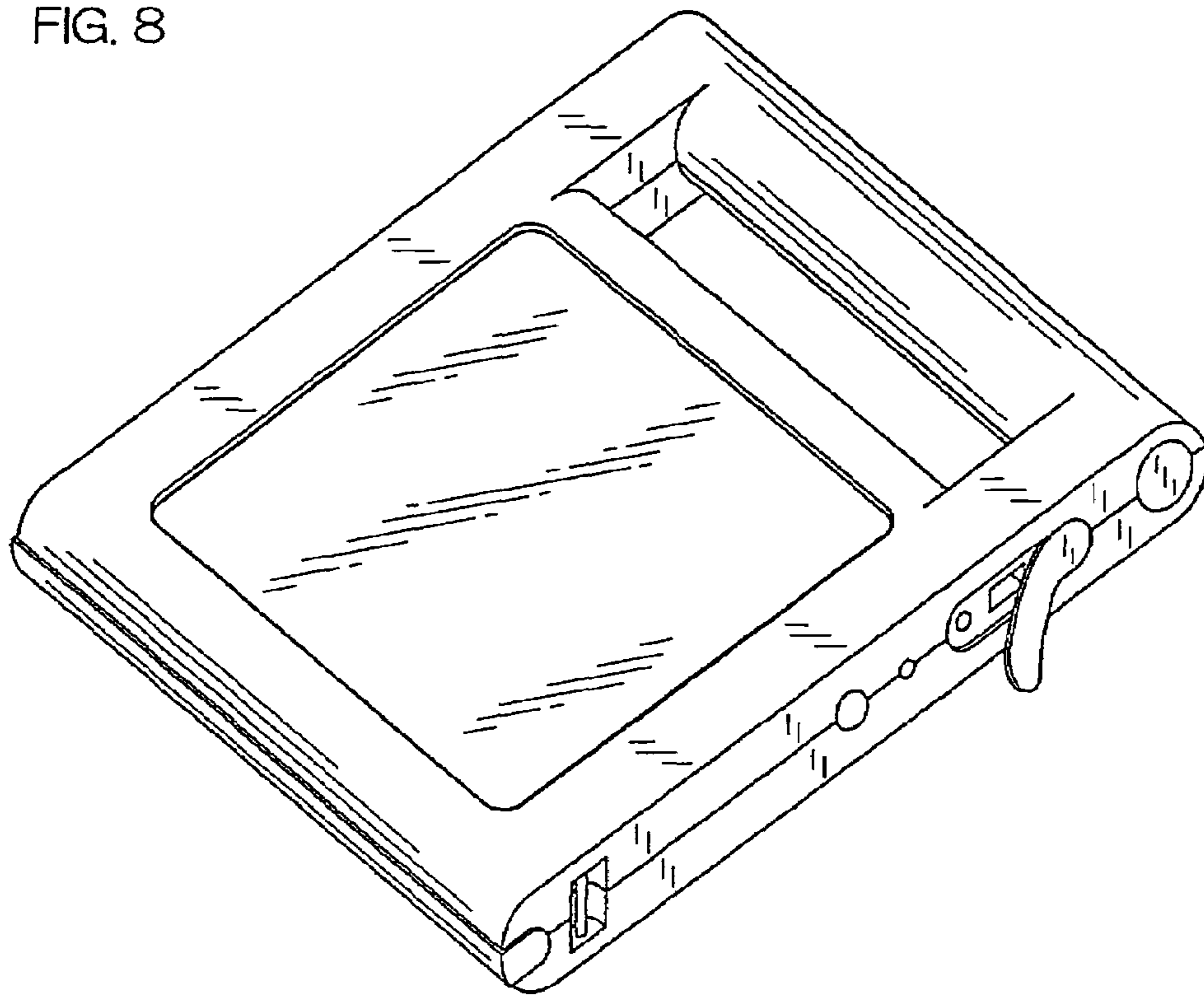


FIG. 9

