

US00D599732S

(12) **United States Design Patent**
Simon et al.

(10) **Patent No.:** **US D599,732 S**
(45) **Date of Patent:** **** Sep. 8, 2009**

(54) **TIRE**

(75) Inventors: **Audrey Marie Simon**,
Watermael-Boitsfort (BE); **Peter Johann**
Cornelius Maus, Büllingen (BE);
Jean-Nicolas Helt, Braumont (FR)

(73) Assignee: **The Goodyear Tire & Rubber**
Company, Akron, OH (US)

(**) Term: **14 Years**

(21) Appl. No.: **29/335,151**

(22) Filed: **Apr. 9, 2009**

(51) **LOC (9) Cl.** **12-15**

(52) **U.S. Cl.** **D12/580**

(58) **Field of Classification Search** D12/531,
D12/544-565, 574, 579-588, 594-595, 600-603;
152/209.1, 209.8-209.18, 209.25-209.28,
152/455

See application file for complete search history.

(56) **References Cited**

U.S. PATENT DOCUMENTS

D247,486 S *	3/1978	Lamb	D12/580
D273,777 S	5/1984	Igarashi et al.	D12/147
D296,680 S *	7/1988	Krupa	D12/580
D302,411 S	7/1989	Goergen et al.	D12/146
D302,412 S	7/1989	Goergen et al.	D12/146
D315,538 S *	3/1991	Graas	D12/580
D383,102 S	9/1997	Harris et al.	D12/147
D385,519 S	10/1997	de Briey-Terlinden et al.	..	D12/ 147
D388,033 S	12/1997	Scheuren et al.	D12/146
D388,036 S *	12/1997	Labbe et al.	D12/580
D397,970 S *	9/1998	Le et al.	D12/580
D405,737 S *	2/1999	de Barsy	D12/580
D419,119 S	1/2000	Beauguitte et al.	D12/147
D431,801 S *	10/2000	Poling	D12/580
D437,266 S *	2/2001	Poling et al.	D12/580
D460,404 S *	7/2002	Janjareh et al.	D12/580
D471,151 S	3/2003	Otsuji	D12/559

D484,088 S	12/2003	Kindig	D12/544
D492,643 S	7/2004	Robert	D12/579
D517,977 S	3/2006	Robert	D12/579
D549,157 S	8/2007	Maus et al.	D12/544
D549,163 S	8/2007	Maus et al.	D12/579
D550,147 S *	9/2007	Radulescu	D12/545
D577,657 S	9/2008	Maus et al.	D12/544
D584,216 S *	1/2009	Patterson	D12/545
D586,727 S *	2/2009	Campana	D12/545

* cited by examiner

Primary Examiner—Stacia Cadmus

(74) *Attorney, Agent, or Firm*—Richard B. O’Planick

(57) **CLAIM**

The ornamental design for a tire, as shown and described.

DESCRIPTION

FIG. 1 is a perspective view of a tire showing our new design, it being understood that the pattern repeats uniformly throughout the circumference of the tread;

FIG. 2 is a front elevational view thereof;

FIG. 3 is a right side elevational view thereof; the opposite side elevational view being identical thereto;

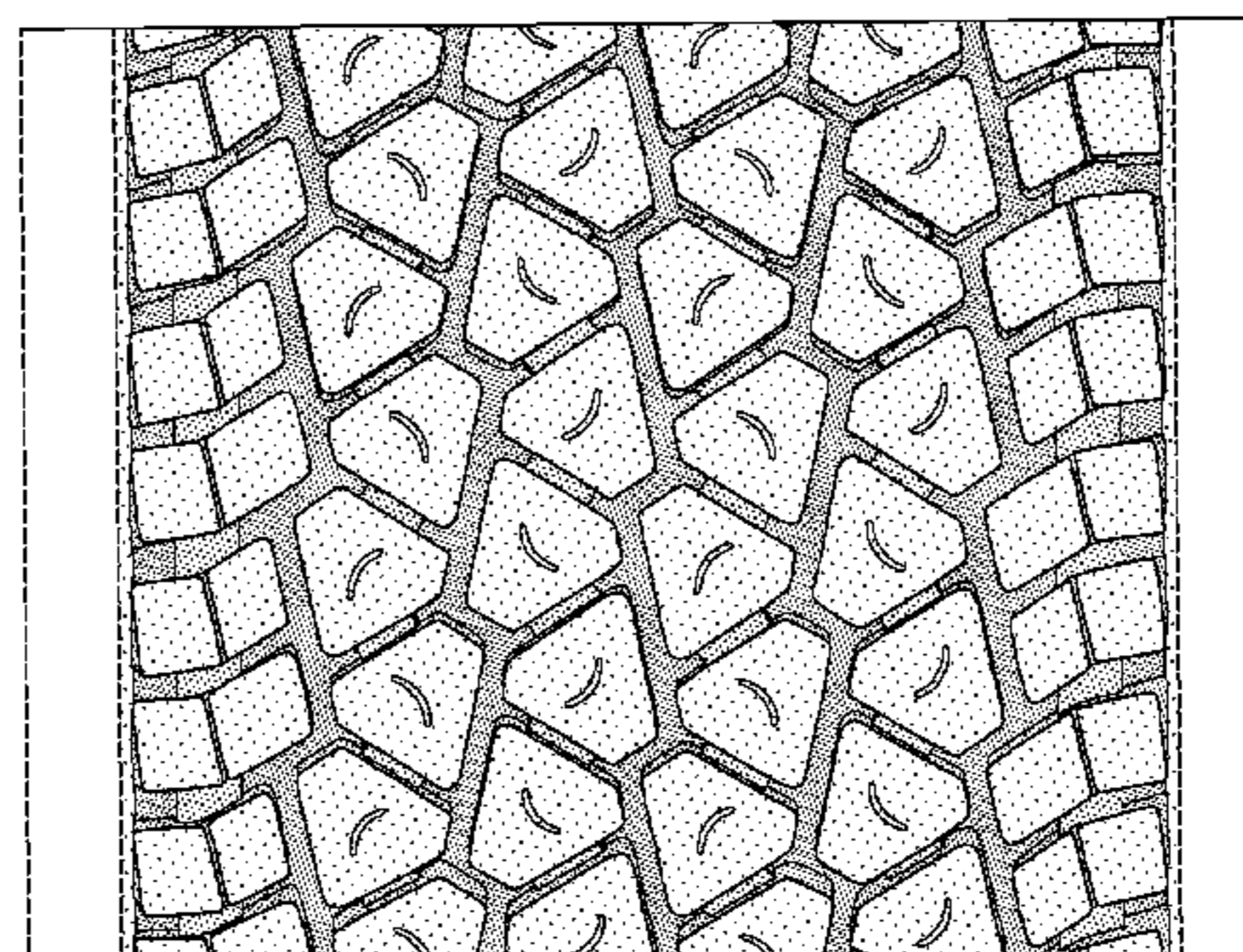
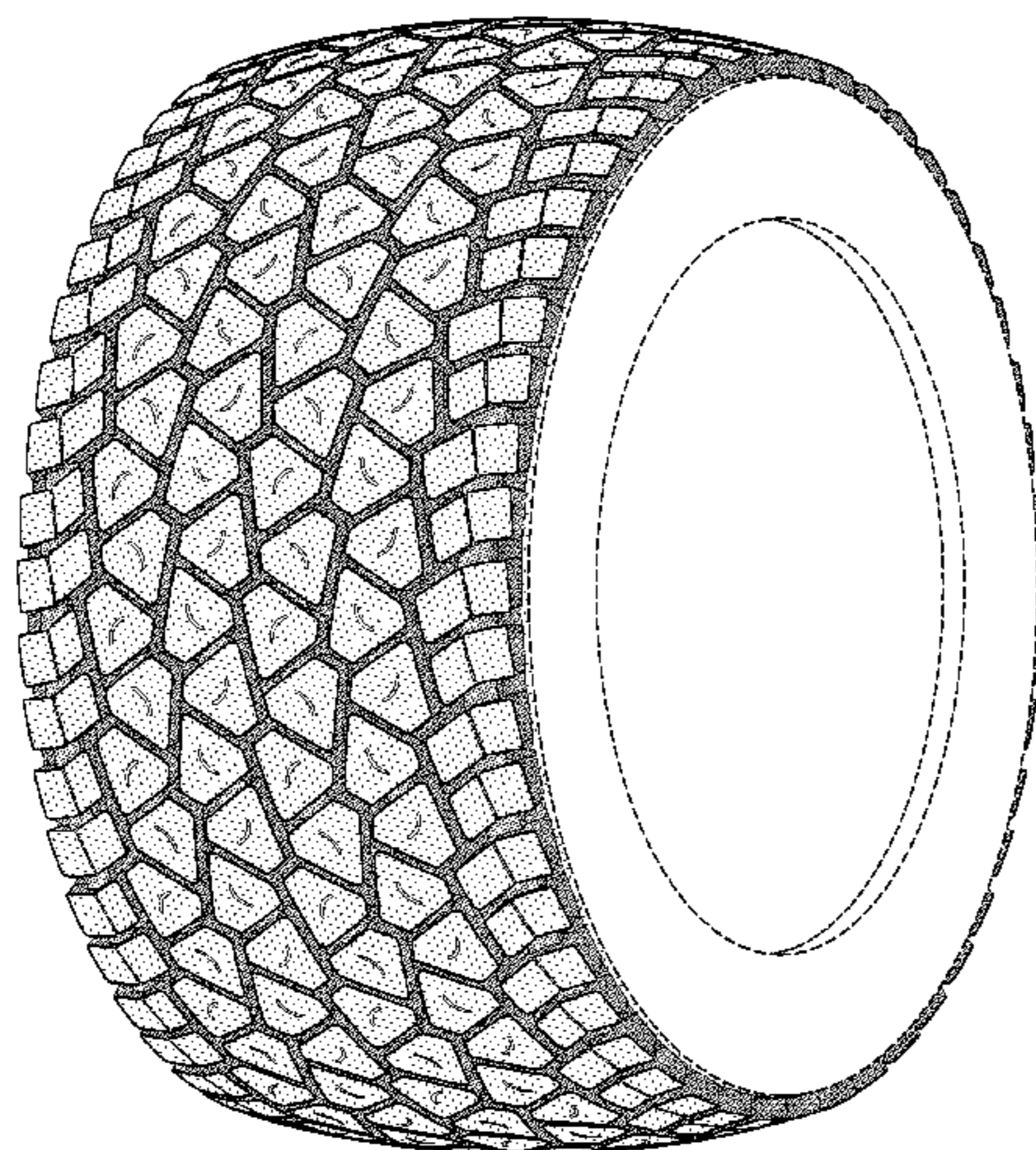
FIG. 4 is an enlarged fragmentary front elevational view thereof;

FIG. 5 is a perspective view of a second embodiment of a tire showing our new design, it being understood that the pattern repeats uniformly throughout the circumference of the tread and that the opposite side perspective view is identical thereto; and,

FIG. 6 is a front elevational view of a second embodiment, it being understood that an enlarged fragmentary view thereof would be substantially identical to that shown in FIG. 4, with the exception of the inclusion of the sidewall in solid lines.

In the drawings, the broken lines showing of the sidewall, inner bead and the peripheral boundary between the tire tread and the sidewall in FIGS. 1 through 4 depict environmental subject matter and form no part of the claimed design.

1 Claim, 6 Drawing Sheets



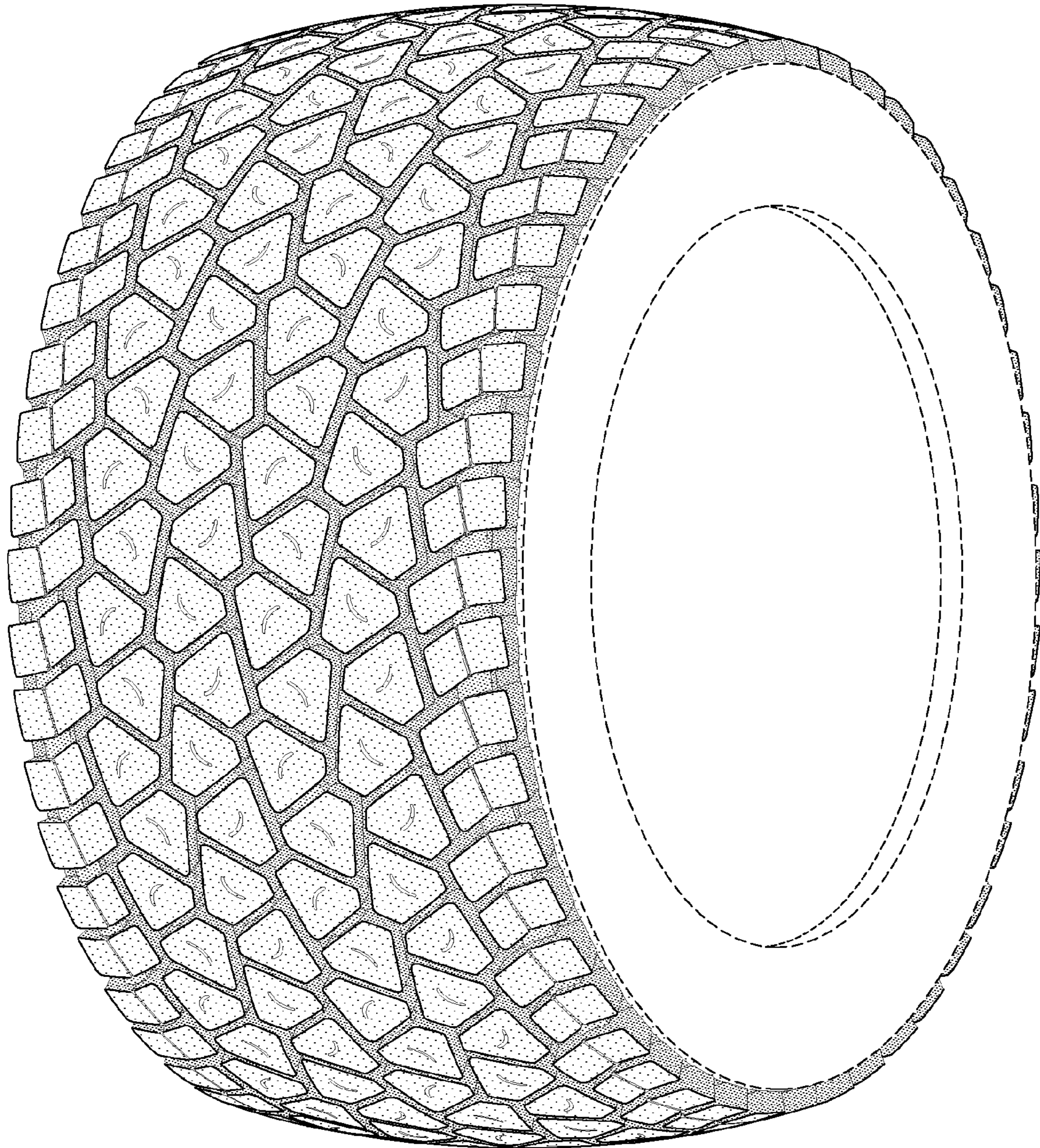


FIG-1

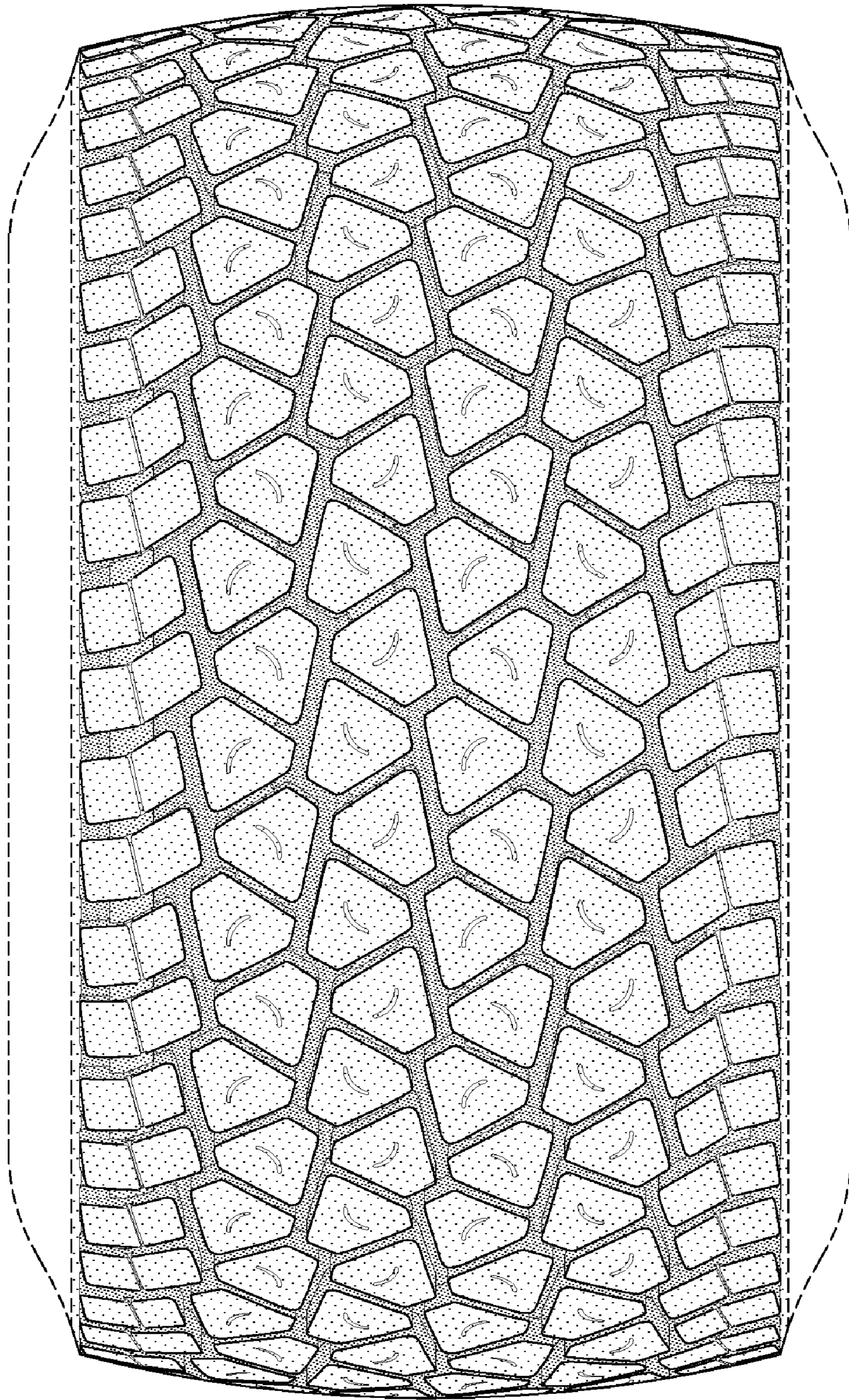


FIG-2

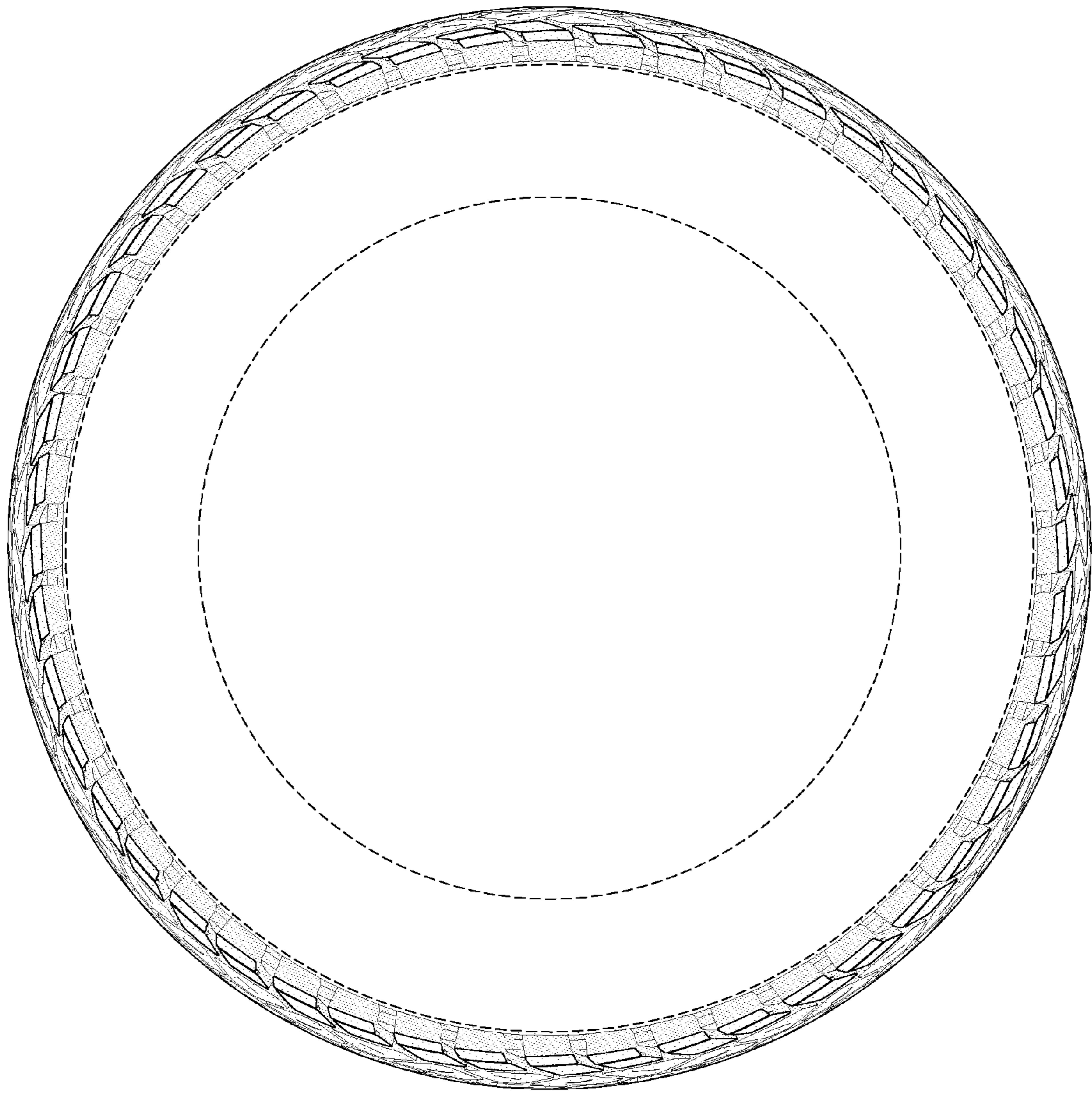


FIG-3

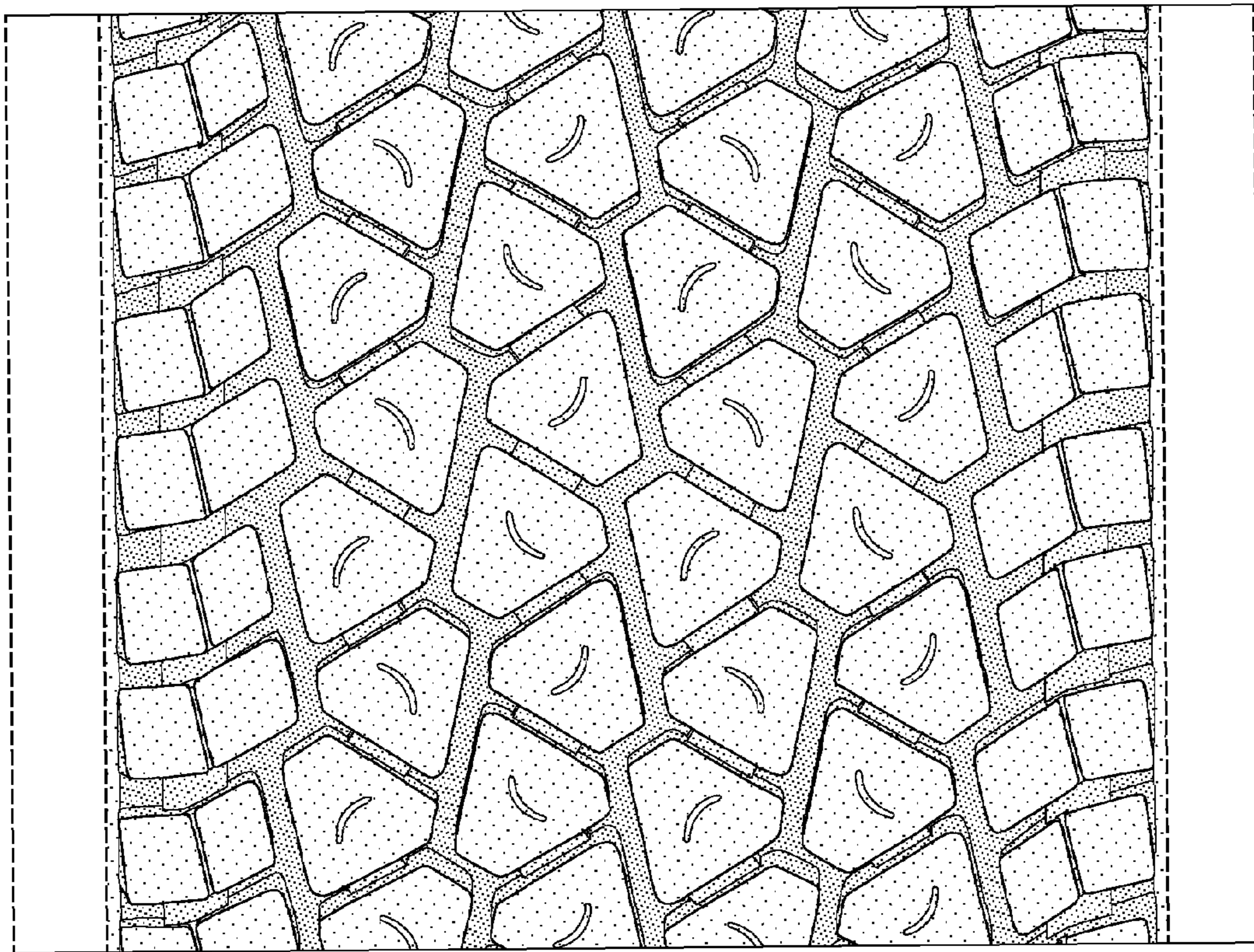


FIG-4

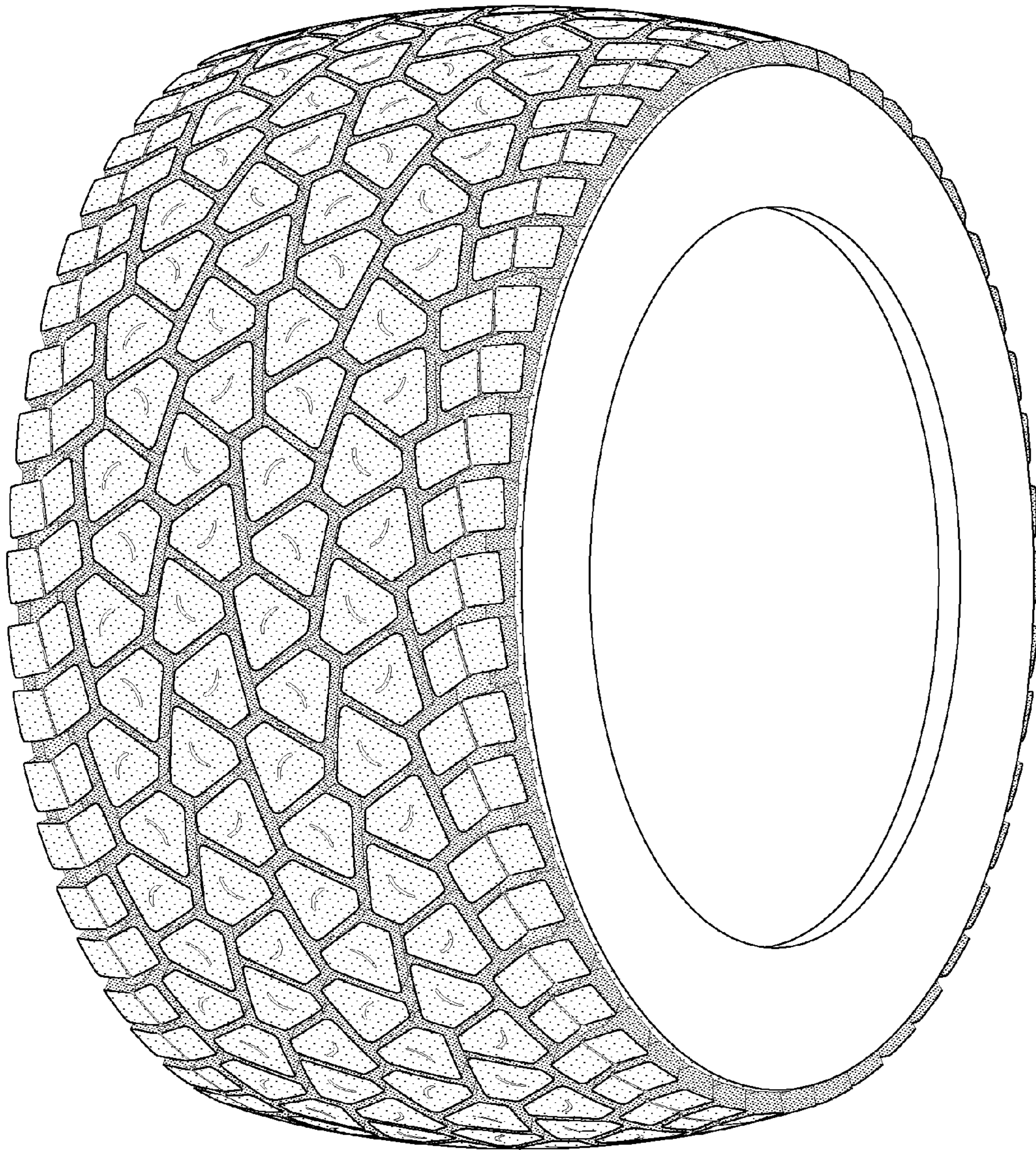


FIG-5

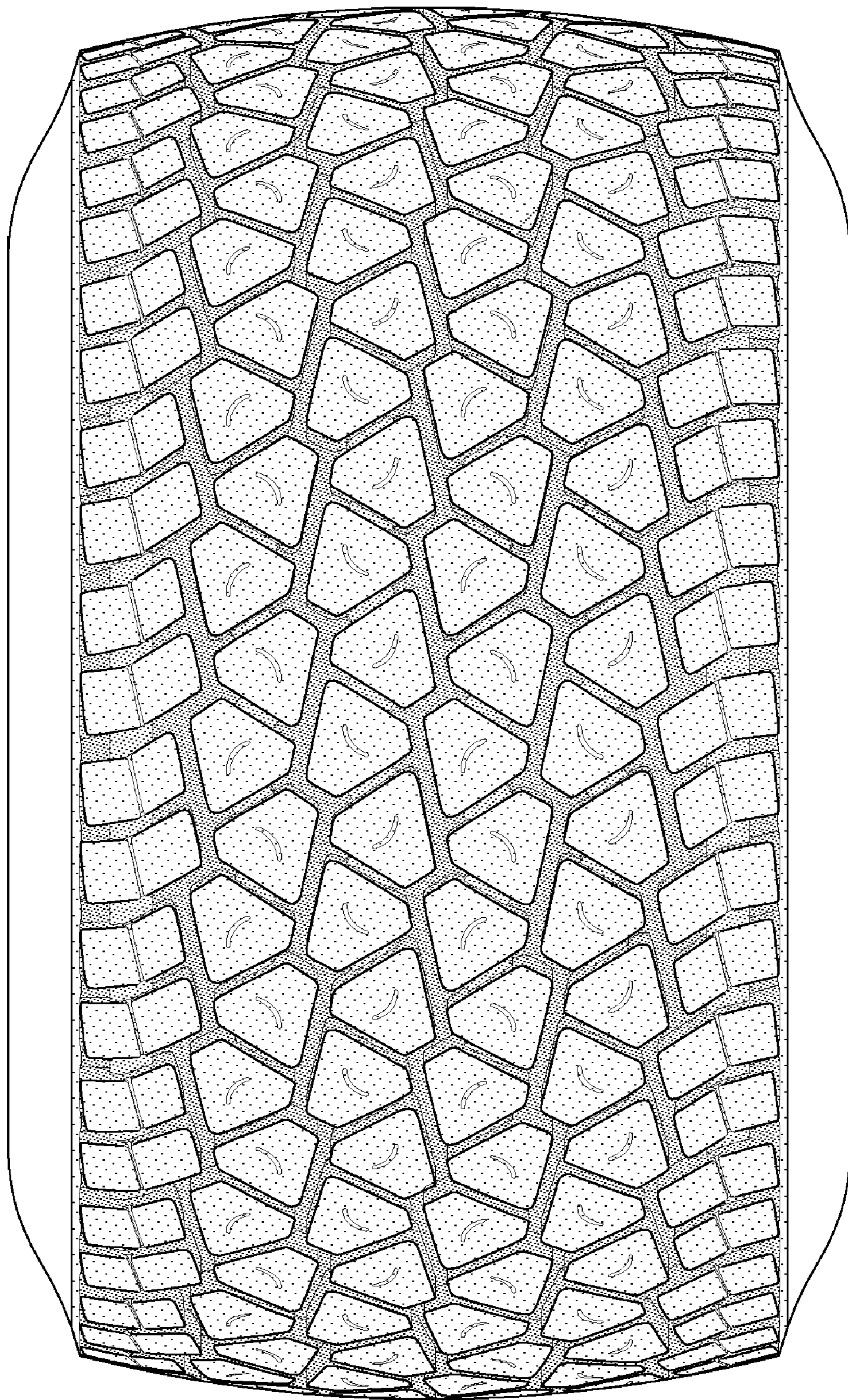


FIG-6